

# Open Type Trimmer

## Model 38



### Features:

- 10 mm single turn
- Dust proof
- Carbon element
- Low TCR
- RoHS compliant



## Model Styles Available

Top Adjust	38P
Side Adjust	38W

## Electrical

Resistance Range	100 to 1,000,000 Ohms
Standard Resistance Tolerance	± 30%, (±20% and ±10% available)
Input Voltage, Maximum	200 Vdc
Power rating, Watts	Linear :0.15W, others : 0.07W, at 50°C
End Resistance, Maximum	2 ohms or 0.5% whichever is greater
Actual Electrical Travel	220° ±20°
Insulation Resistance, Minimum	100 Megohms
Resolution	Essentially infinite
Contact Resistance Variation	5% Max.
Temperature Coefficient of Resistance	±500 ppm/°C

## Mechanical

Torque, Maximum	1.5 in - oz.
Wiper Position	Approx. 50%

### General Note

TT Electronics reserves the right to make changes in product specification without notice or liability. All information is subject to TT Electronics' own data and is considered accurate at time of going to print.

TT Electronics | BI Technologies  
4200 Bonita Place, Fullerton, CA USA 92835-1053 | Ph: +1 714-447-2300  
www.ttelectronics.com | sensors@ttelectronics.com

# Open Type Trimmer

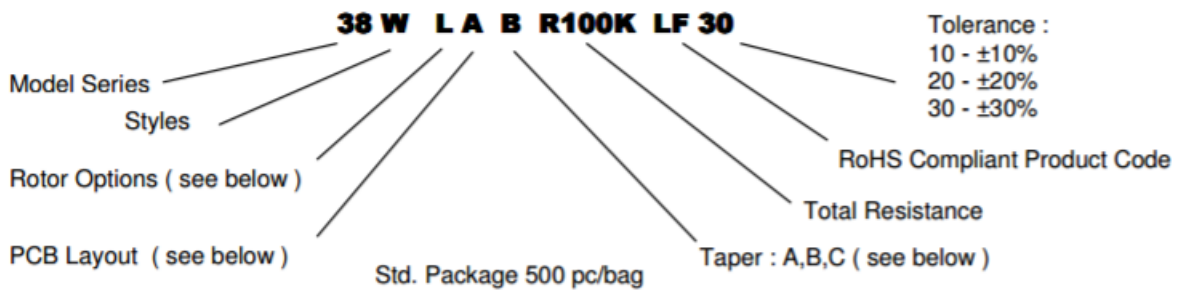
## Model 38



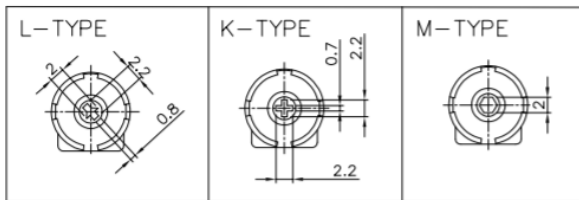
### Environmental

Operating Temperature Range	-25°C to +70°C
Rotational Life, 500 Cycles	±3% ΔR
Load Life, 0.15W, 100 Hours, 50°C	±5% ΔR
Resistance to Solder Heat	260°C for 3 sec.
Aqueous cleaning not recommended	

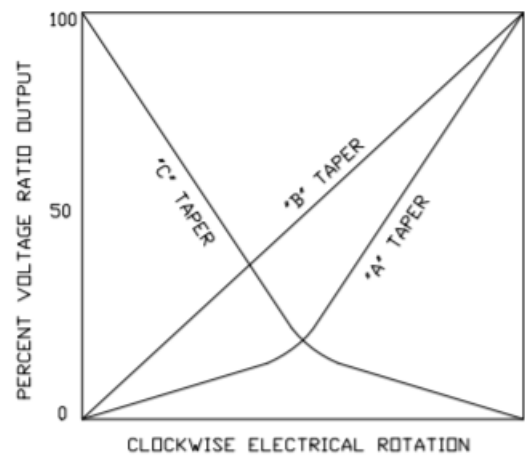
### Ordering Information



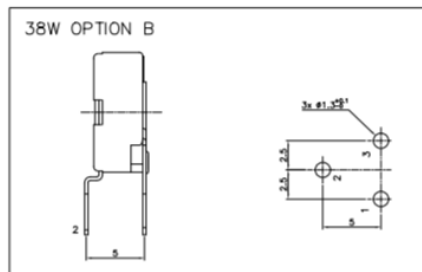
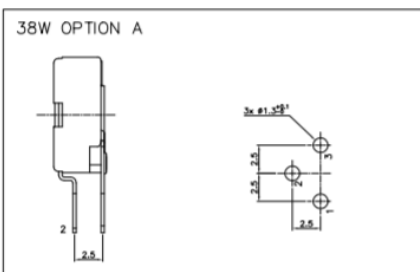
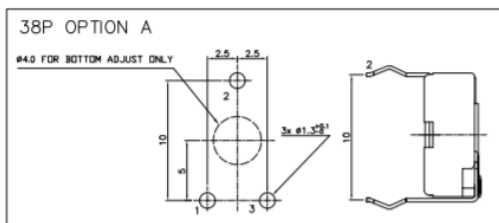
#### Rotor Options



#### Taper Options



#### PCB Layout Options



#### General Note

TT Electronics reserves the right to make changes in product specification without notice or liability. All information is subject to TT Electronics' own data and is considered accurate at time of going to print.

TT Electronics | BI Technologies  
 4200 Bonita Place, Fullerton, CA USA 92835-1053 | Ph: +1 714-447-2300  
[www.ttelectronics.com](http://www.ttelectronics.com) | [sensors@ttelectronics.com](mailto:sensors@ttelectronics.com)

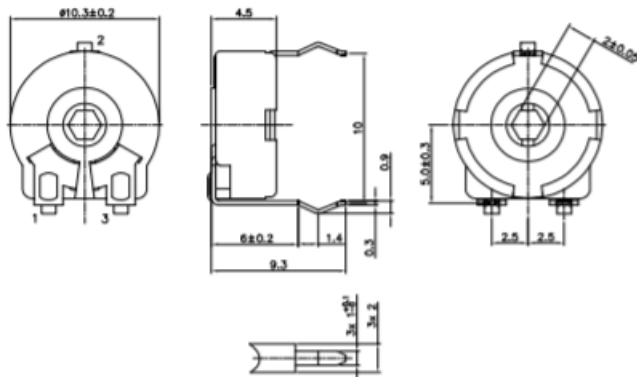
# Open Type Trimmer

## Model 38

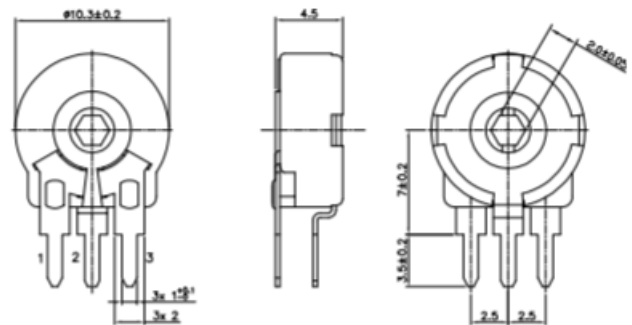


### Outline Drawings

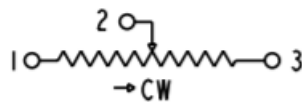
**Model 38P (Top Adjust)**



**Model 38W (Side Adjust)**



### Circuit Diagram



### Standard Resistance Values, Ohms

100    500    1K    2K    5K    10K    20K    50K    100K    200K    500K    1MEG

**General Note**

TT Electronics reserves the right to make changes in product specification without notice or liability. All information is subject to TT Electronics' own data and is considered accurate at time of going to print.

TT Electronics | BI Technologies  
 4200 Bonita Place, Fullerton, CA USA 92835-1053 | Ph: +1 714-447-2300  
 www.ttelectronics.com | sensors@ttelectronics.com

# Mouser Electronics

Authorized Distributor

Click to View Pricing, Inventory, Delivery & Lifecycle Information:

## TT Electronics:

[38PKABR10KLF30](#) [38WMBBR10KLF30](#) [38PBR500LF](#) [38WBR500LF](#) [38PBR200KLF](#) [38PBR50KLF](#) [38PAR75KLF](#)  
[38WBR50KLF](#) [38WAR75KLF](#) [38PBR500KLF](#) [38PBR5KLF](#) [38WBR5KLF](#) [38PBR2KLF](#) [38WBR100LF](#)  
[38WBR1MEGLF](#) [38PBR1KLF](#) [38WBR1KLF](#) [38WBR100KLF](#) [38WBR10KLF](#) [38WBR2KLF](#) [38PBR100LF](#)  
[38PBR10KLF](#) [38WBR200KLF](#) [38PBR1MEGLF](#) [38WBR20KLF](#) [38PBR100KLF](#) [38WBR500KLF](#) [38PBR20KLF](#)  
[38WBR200LF](#) [38PBR200LF](#) [38PKACR5KLF20](#) [38PKACR5KLF10](#) [38PKAAR1MEGLF10](#) [38PLAAR100LF20](#)  
[38PKAAR1MEGLF20](#) [38PKABR500KLF20](#) [38PKAAR50KLF20](#) [38PKACR200KLF20](#) [38PKAAR50KLF30](#)  
[38PKACR20KLF20](#) [38PKACR10KLF20](#) [38PKABR5KLF20](#) [38PKAAR500KLF10](#) [38PLAAR100KLF20](#)  
[38PKAAR100KLF20](#) [38PLAAR50KLF10](#) [38PKABR500LF20](#) [38PKAAR20KLF30](#) [38PKAAR10KLF30](#)  
[38PKAAR20KLF20](#) [38PKABR100KLF10](#) [38PKACR50KLF20](#) [38PLAAR10KLF10](#) [38PKACR500KLF30](#)  
[38PLAAR2KLF20](#) [38PKABR100LF20](#) [38PKAAR500LF10](#) [38PKAAR5KLF30](#) [38PLAAR20KLF10](#) [38PLAAR500LF20](#)  
[38PKAAR100LF10](#) [38PKAAR200KLF30](#) [38PKABR100LF30](#) [38PKAAR2KLF20](#) [38WLABR10KLF10](#)  
[38WMAAR10KLF30](#) [38WLBBR1KLF30](#) [38WMAAR100KLF30](#) [38WKBAR50KLF10](#) [38PKABR10KLF10](#)  
[38PLACR5KLF30](#) [38WMBCR500LF20](#) [38PLAAR200KLF20](#) [38WMACR1MEGLF30](#) [38WMABR50KLF20](#)  
[38PMACR200KLF10](#) [38WLBCR10KLF10](#) [38PKABR200KLF20](#) [38WMBAR20KLF30](#) [38WMBAR10KLF30](#)  
[38WMABR20KLF20](#) [38WMAAR1MEGLF20](#) [38WMBAR1MEGLF20](#) [38WLBBR10KLF10](#) [38PLABR2KLF10](#)  
[38WKBCR500KLF20](#) [38PMACR500LF10](#) [38PMAAR10KLF30](#) [38WLACR2KLF20](#) [38WMBBR100LF20](#)  
[38WLBBR20KLF10](#) [38PMACR2KLF30](#) [38WKAAR500KLF10](#) [38PLACR500LF30](#) [38PLACR100LF30](#)  
[38PLACR20KLF10](#) [38WLACR500LF10](#) [38WLACR100LF10](#) [38WLBCR500LF30](#) [38PMACR5KLF10](#)