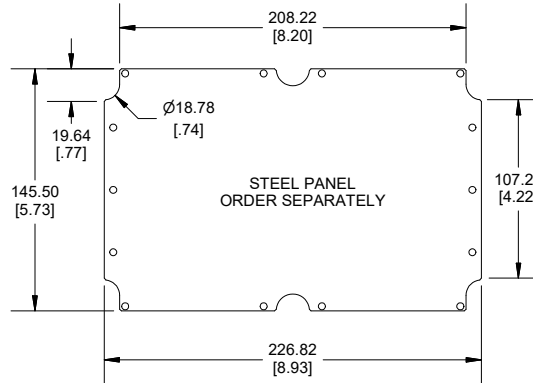
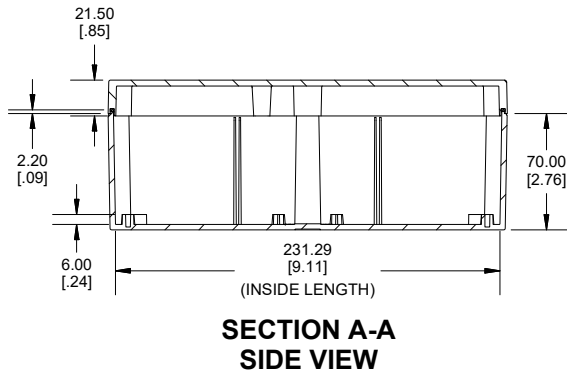
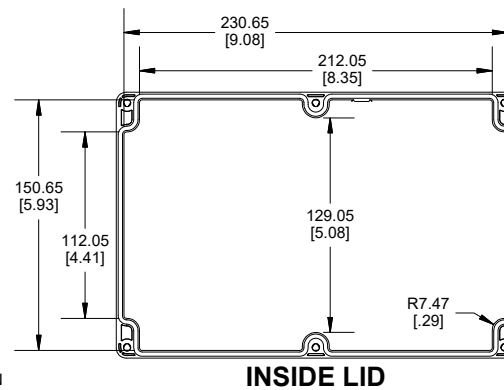
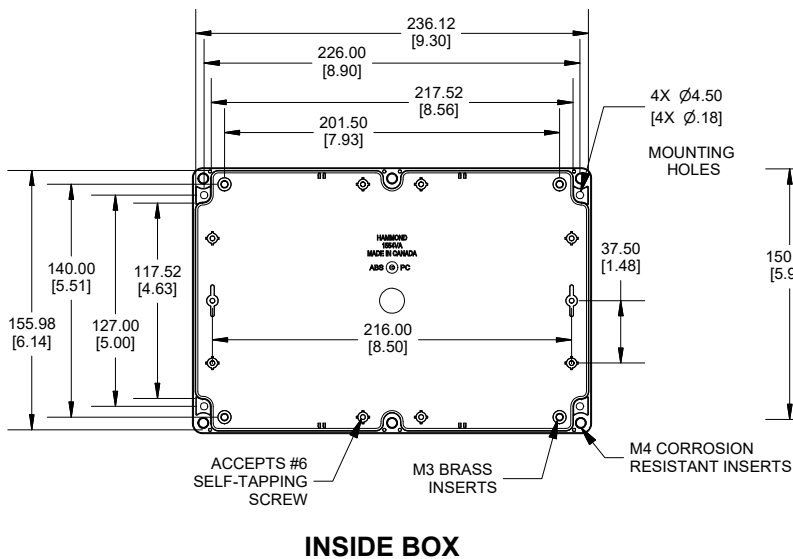


POLYCARBONATE  
VERSION ONLY  
 US LISTED  
 FILE #E65324  
 TYPE 4.4X,6,6P



Enclosures can be Factory Modified (Milling, Drilling, Printing etc.)  
 Contact Factory (modshop@hammfg.com) for quotes  
 Solid models of this enclosure available in .stp or .x\_t  
 (Part number and text placement/orientation on our products are subject to change,  
 we do not recommend using them as a locating reference for modification purposes)

**NOTE**  
 Purchased assembly includes box, lid, 6 cover screws, and preformed silicone gasket.  
 General Purpose ABS version is not UL approved. (Matl UL94 - HB)  
 Polycarbonate version is UL 508A approved. (Matl UL94 - 5VA @ 3mm)  
**Recommended Cover screw torque -- 71-85 ozf-in (50-60 cN-m)**



1554VA	
1554VA Regular Enclosure	
General Purpose ABS RAL-7035	1554VAGY
Polycarbonate RAL-7035	1554VA2GY
1554VA Clear / Smoke Lid Enclosure	
Polycarbonate Box / Clear Polycarbonate Lid	1554VA2GYCL
Polycarbonate Box / Smoke Polycarbonate Lid	1554VA2GYSL
ACCESSORIES	
Steel Inner Panels	1554VAPL
Steel Panel / P.C. Board Screw [M3-0.5 x 8mm Plated] (Pkg 100)	1591MM100
Steel Panel / P.C. Board Self Tapping Screw [#6 X 1/4" (6.4mm) Plated] (Pkg 100)	1598ATS100
Stainless Steel Cover Screws [M4-0.7 X 25mm] (Pkg 50)	SC583-50
Silicone Pre-formed Gasket Black (Pkg 2)	1554VAGASKET

Dimensions:  
 mm  
 [inches]

 **HAMMOND  
 MANUFACTURING**  
**1554VA**  
 www.hammondmfg.com