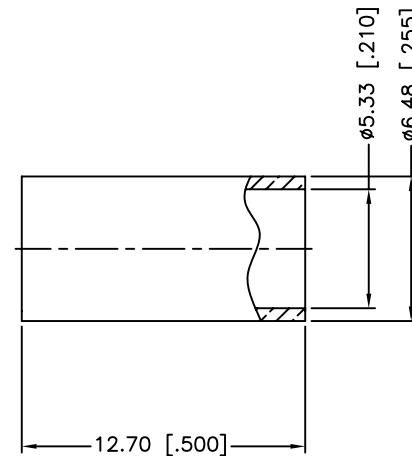
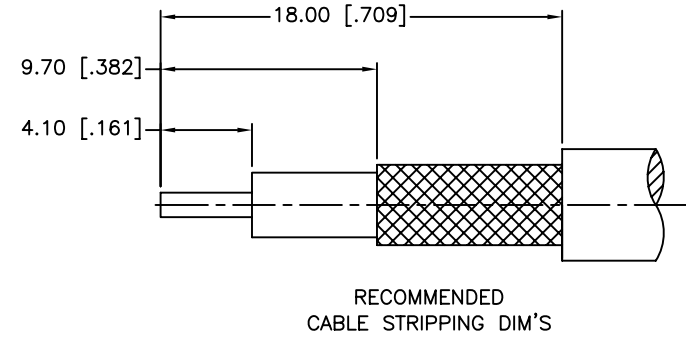
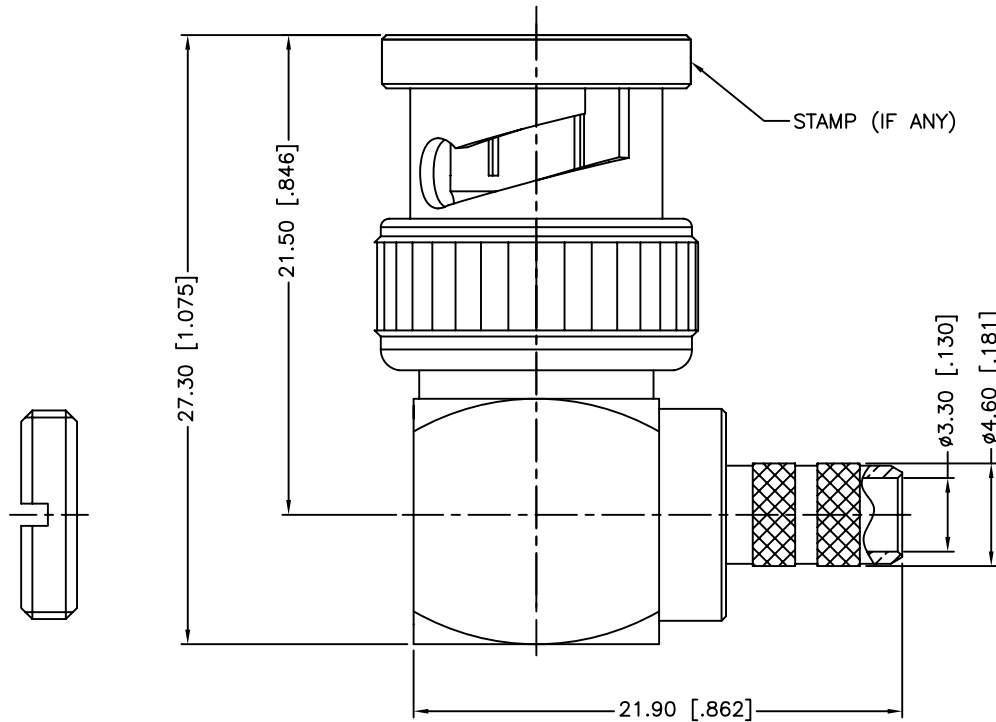


1. IMPEDANCE: 50 OHM
2. FREQUENCY RANGE: DC 0-6 GHZ
3. DIELECTRIC WITHSTANDING VOLTAGE: 1000 VRMS, MIN.
4. DURABILITY: 500 CYCLES MIN.
5. TEMPERATURE RANGE: -65°C TO +165°C
6. CRIMPED FERRULE
HEX. CRIMP SIZE .213"
7. CONTACT PIN TO SOLDER

REV.	DATE	ECR NO.	DESCRIPTION
NC	08/03/98	XXXX	INITIAL RELEASE
A	01/30/07	XXXX	UPDATE DRAWING FORMAT
B	02/19/13	2447	CORRECT FERRULE DIMENSIONS, UPDATE DRAWING FORMAT



QTY	DESCRIPTION	MATERIAL	FINISH
5	NUT	BRASS	NICKEL
4	FERRULE	BRASS	NICKEL
3	INSULATOR	PTFE	NATURAL
2	BODY	BRASS	NICKEL
1	CONTACT PIN	BRASS	GOLD

UNLESS OTHERWISE SPECIFIED DIMENSIONS ARE IN MILLIMETERS. DIMENSIONS IN [] ARE IN INCHES AND FOR CUSTOMER REFERENCE ONLY.

UNLESS OTHERWISE SPECIFIED TOLERANCES FOR MILLIMETERS ARE:
 <0.5 ± 0.05mm
 0.5 - 6mm ± 0.10mm
 6 - 30mm ± 0.20mm
 30 - 120mm ± 0.30mm
 ANGLES ± 1°

UNLESS OTHERWISE SPECIFIED TOLERANCES FOR INCHES ARE:
 <.020 ± 0.002"
 .020 - .236 ± 0.004"
 .236 - 1.180 ± 0.007"
 1.180 - 4.724 ± 0.012"
 ANGLES ± 1°

DO NOT SCALE DRAWING

APPROVALS	DATE
DRAWN S.LI	02/19/13
CHECKED	
ISSUED	
SHEET 1 OF 1	
CAD FILE C:/CONNEX/112599.DWG	

<h1>Amphenol Connex</h1>			
PART DESCRIPTION BNC R/A CRIMP PLUG (FOR LMR200 CABLE)			
PART NO. 112599			
DWG. NO.	112599.DWG	REV. B	SIZE A SCALE NA

Mouser Electronics

Authorized Distributor

Click to View Pricing, Inventory, Delivery & Lifecycle Information:

[Amphenol:](#)

[112599](#)