

4

3

2

1

THIS DRAWING IS UNPUBLISHED.

RELEASED FOR PUBLICATION

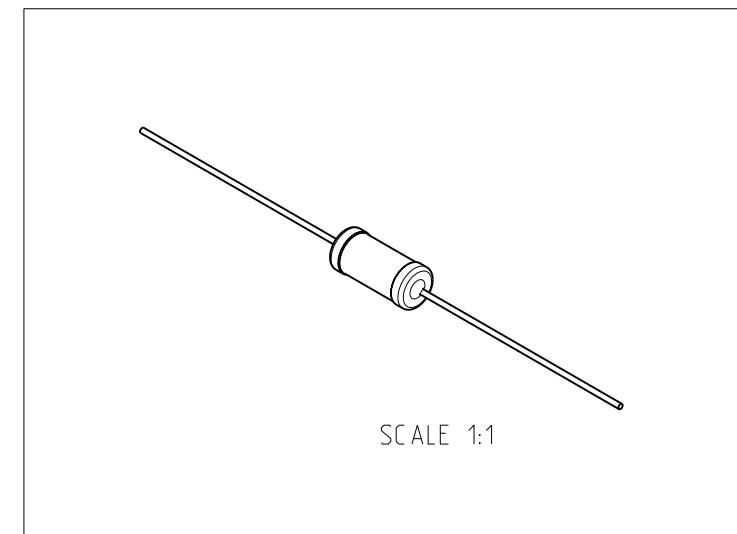
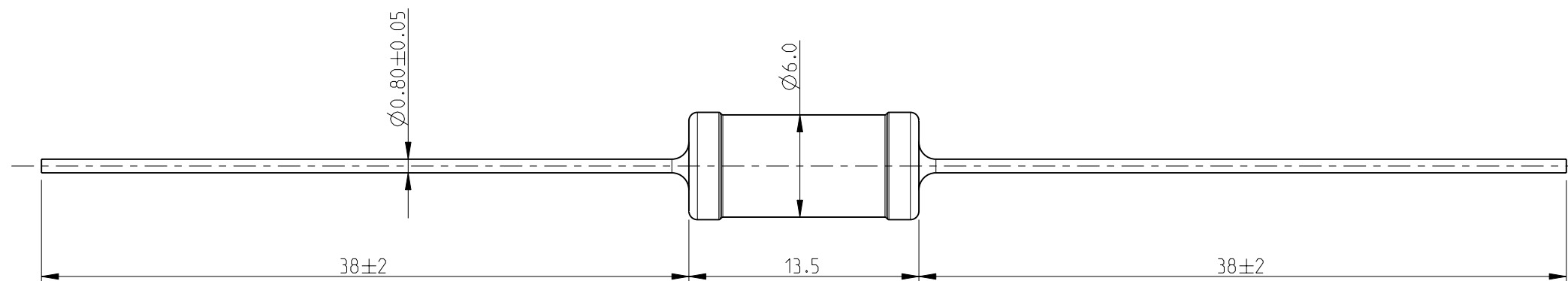
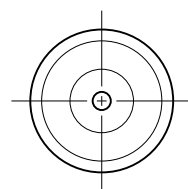
2008


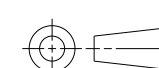
© COPYRIGHT 2008 BY -

ALL RIGHTS RESERVED.

LOC	DIST	REVISIONS			
P	LTR	DESCRIPTION	DATE	DWN	APVD
E	B	BA1	REVISED PER ECO-11-005150	29MAR2011	RK HMR

1. PACKAGING: AMMO PACKED
2. FOR FURTHER INFORMATION SEE DATA SHEET FOR SERIES ER/ERV- HIGH POWER RESISTORS



THIS DRAWING IS A CONTROLLED DOCUMENT.		DWN	28-JUL-09		 TE Connectivity HIGH POWER RESISTORS SERIES ER74
DIMENSIONS:		CHK	28-JUL-09		
mm		APVD	28-JUL-09		
		PRODUCT SPEC	-		
TOLERANCES UNLESS OTHERWISE SPECIFIED:		APPLICATION SPEC	-		RESTRICTED TO
0 PLC ± 0.2		WEIGHT	-		-
1 PLC ± 0.1		CUSTOMER DRAWING			SCALE 3:1
2 PLC ± -		SIZE	CAGE CODE	DRAWING NO	SHEET 1 OF 1
3 PLC ± -		A3	00779	1623746	REV BA1
4 PLC ± -					
ANGLES ± - ± 5°					
FINISH -					

Mouser Electronics

Authorized Distributor

Click to View Pricing, Inventory, Delivery & Lifecycle Information:

[TE Connectivity:](#)

[ER74100RJT](#)