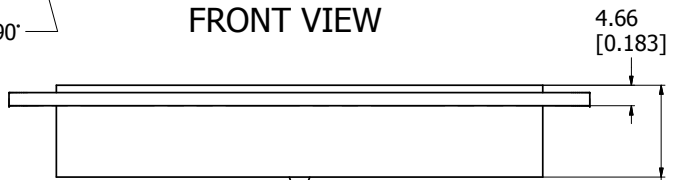
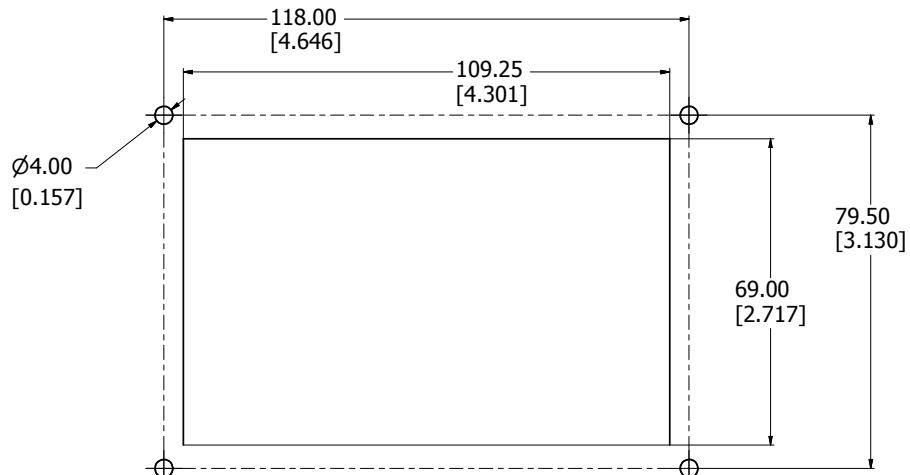


FRONT VIEW

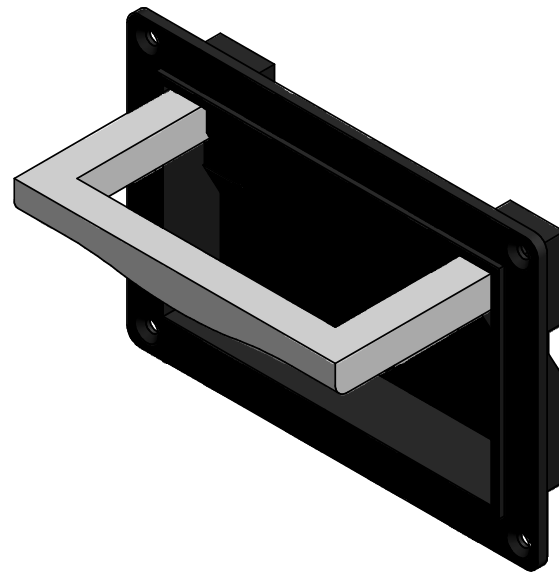
Ø7.50 [0.295] √ 90°



BOTTOM VIEW



MOUNTING OPENING



ISO VIEW WITH HANDLE OPEN

M263-1
Handle Material - Aluminum
Finish - Black/Sliver Painted Aluminum
Hardware
Hardware not Included
**note handle sold in pairs



**HAMMOND
MANUFACTURING™**

M263-1

Mouser Electronics

Authorized Distributor

Click to View Pricing, Inventory, Delivery & Lifecycle Information:

[Hammond:](#)

[M263-1](#)