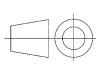

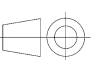



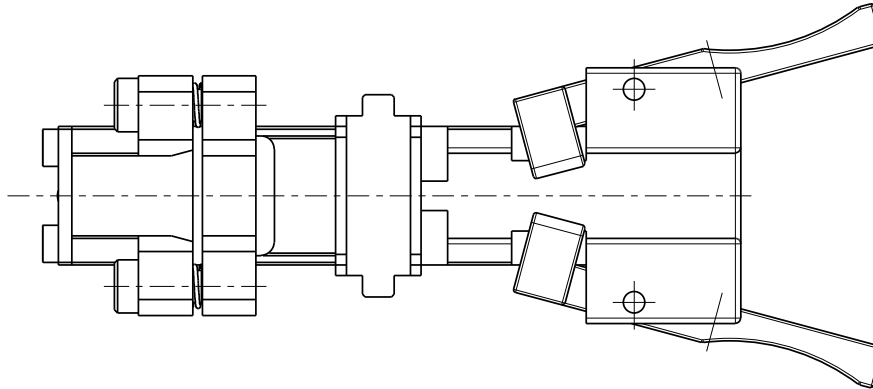
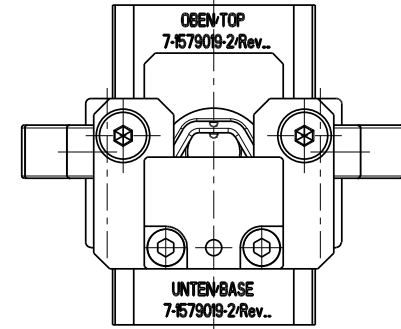
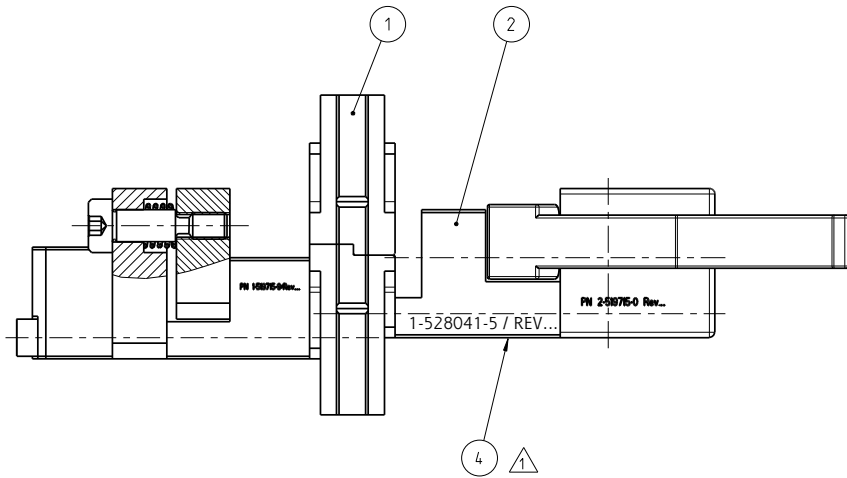
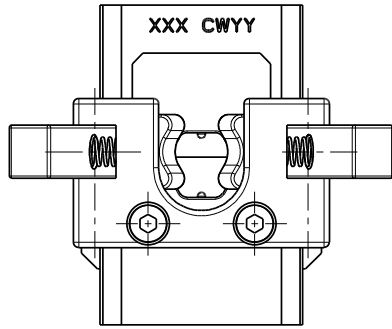
CRIMP DATA (TE TERMINAL)					
TERMINAL NAME	SHIELD CRIMP SLEEVE HVP 800, 90°				
CRIMP	SIZE	TYPE		RANGE	
WIRE	COROPLAST				25 mm ²
INSUL	(X)		(X)		12.2
WIRE STRIP LENGHT			APPLICATOR INSTRUCTION	411-18537	
TERMINAL APPL SPEC 114-94052	PRODUCT SPECIFICATION		FEED		
TERMINALS APPLIED			SEALS		
2141157	-	-	-	-	-
-	-	-	-	-	-
-	-	-	-	-	-
-	-	-	-	-	-
-	-	-	-	-	-
-	-	-	-	-	-
WIRE SIZE (mm ² AWG)		CRIMP HEIGHT		REF SETTING	
25 mm ²		Pos.G 16.6 ±0.2			
		Pos.H 12.2 ±0.2			
-		-		-	
-		-		-	
-		-		-	
-		-		-	
-		-		-	
-		-		-	
REMARK: Applicator only used in combination with COROPLAST (LV216-2) Terminal Application Spec. 114-94052					
TYPE: Applicator for LP-Terminals					
TERMINATOR: HV CRIMPING MACHINE 528008-4					

P	LTR	REVISION RECORD	DATE	DWN	APVD	PRINTED	DWN	05DEC11	CHK	APVD	
-	E	ECR-14-001141	24JAN14	BM	GS	03FEB14	B. MUTH		G. STEGMAYER	-	
-	E1	ECR-17-007987	02JUN17	BM	GS	WEIGHT	DIMENSION (mm)	MATERIAL	HT TR	-	
-	-	-	-	-	-	-	-	-	-	-	
						TOLERANCES UNLESS OTHERWISE SPECIFIED SEE SHEET 1		 tyco Electronics AMP GmbH D-64625 Bensheim			
THIS DRAWING IS A CONTROLLED DOCUMENT FOR TYCO ELECTRONICS CORPORATION. IT IS SUBJECT TO CHANGE AND THE CONTROLLING ENGINEERING ORGANIZATION SHOULD BE CONTACTED FOR THE LATEST REVISION. DIESES ZEICHNUNGSDOKUMENT WIRD DURCH TYCO ELECTRONICS CORPORATION KONTROLLIERT. ÄNDERUNGEN DIE DEM TECHNISCHEN FORTSCHRITT DIENEN, SIND VORBEHALTEN. DEN JEWEILS LETZTGÜLTIGEN ÄNDERUNGSSTAND ERFAHREN SIE AUF ANFRAGE						SPARE AND WEAR PARTS LIST			RESTRICTED TO -		
NAME						DIE SET SHIELD CRIMP HVP800 90DEG. 25 SQMM				RESTRICTED TO	
SCALE		SIZE		DRAWING NO		SHEET		REV			
SEE SHEET 1		A4		C-1-528041-5		1 / 3		E1			

POS	QTY	TE/PN	DESCRIPTION	S=Spear Parts W=Wear Parts	S	W
1	1	7-1579019-2	DIE SET SHIELD CRIMP HVP800 90DEG. 25 SQMM		<input checked="" type="checkbox"/>	<input checked="" type="checkbox"/>
2	1	9-0744506-3	BOM- DIE SET SHIELD CRIMP HVP800 90DEG.		<input checked="" type="checkbox"/>	<input checked="" type="checkbox"/>
4	1	1-0519610-0	LABEL 40X15 AUFKLEBER 40X15		<input checked="" type="checkbox"/>	<input type="checkbox"/>

REMARKS: Matrize für Schirmcrimp HVP800 90° 25 mm ² WIRE ACCORDING LV 216-2											USED ON 9-1579009-1-C			
P	LTR	REVISION RECORD			DATE	DWN	APVD	PRINTED	DWN	05DEC11	CHK	APVD		
-	-	SEE SHEET 1			-	-	-	03FEB14	B. MUTH		G. STEGMAYER	-		
-	-	-			-	-	-	WEIGHT	DIMENSION (mm)		MATERIAL	HT TR		
-	-	-			-	-	-	-	-		-	-		
-	-	-			-	-	-		TOLERANCES UNLESS OTHERWISE SPECIFIED SEE SHEET 1		tyco Electronics AMP GmbH D-64625 Bensheim	SPARE AND WEAR PARTS LIST		
THIS DRAWING IS A CONTROLLED DOCUMENT FOR TYCO ELECTRONICS CORPORATION. IT IS SUBJECT TO CHANGE AND THE CONTROLLING ENGINEERING ORGANIZATION SHOULD BE CONTACTED FOR THE LATEST REVISION.										NAME DIE SET SHIELD CRIMP HVP800 90DEG. 25 SQMM		RESTRICTED TO -		
DIESES ZEICHNUNGSDOKUMENT WIRD DURCH TYCO ELECTRONICS CORPORATION KONTROLLIERT. ÄNDERUNGEN DIE DEM TECHNISCHEN FORTSCHRITT DIENEN, SIND VORBEHALTEN. DEN JEWEILS LETZTGÜLTIGEN ÄNDERUNGSSTAND ERFAHREN SIE AUF ANFRAGE										SCALE SEE SHEET 1	SIZE A4	DRAWING NO C-1-528041-5	SHEET 2 / 3	REV E1

LOC	DIST	REVISIONS					
A	I	P	LYR	DESCRIPTION	DATE	DWN	APVD
		-		SEE SHEET 1	-	-	-



△
 Position zum Anbringen des Aufklebers.
 Position to stick on label.

Matrize in Kombination mit hydraulischer Handzange TE PN 9-1579009-1 verwendbar
 Use this die set in combination with hydraulic hand tool TE PN 9-1579009-1

GEWICHT/WEIGHT 0.8 kg

THIS DRAWING IS A CONTROLLED DOCUMENT.		DWN B. MUTH 05DEC2011	TE Connectivity	
DIMENSIONS: mm		CHK G. STEGMAYER 05DEC2011	NAME DIE SET SHIELD CRIMP HVP800 90DEG. 25 SQMM	
TOLERANCES UNLESS OTHERWISE SPECIFIED:		APVD G. STEGMAYER 05DEC2011	SIZE CAGE CODE DRAWING NO A2 00779 C-1-528041-5	
<ul style="list-style-type: none"> 0 PLC ± 1 PLC ± 2 PLC ± 3 PLC ± 4 PLC ± ANGLES ±° FINISH 		PRODUCT SPEC -	RESTRICTED TO -	
MATERIAL -		APPLICATION SPEC -	WEIGHT -	
		CUSTOMER DRAWING		SCALE 2:1 SHEET 3 OF 3 REV E1