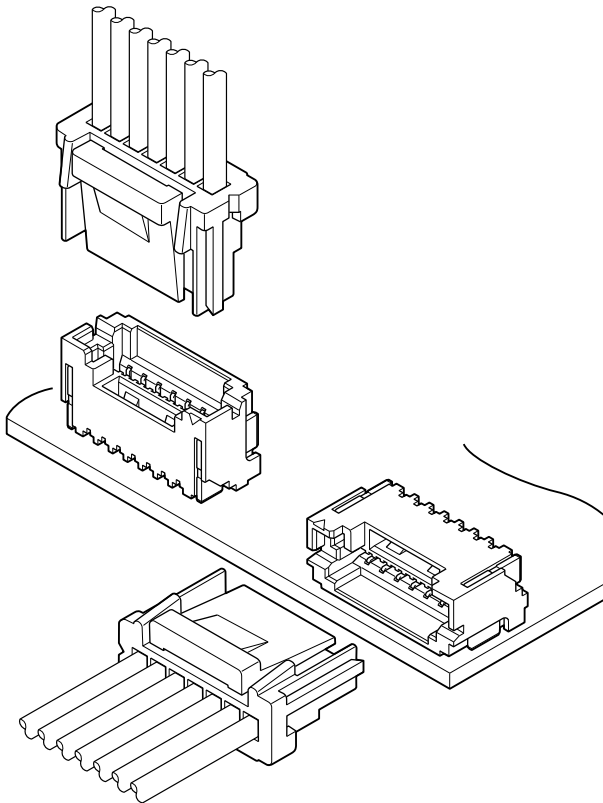


# ZE CONNECTOR

1.5 mm pitch/Disconnectable Crimp style connectors



1.5 mm pitch secure lock type connector. Fork-shaped header contact provides the good mating feeling and secure mating operation.

- Secure locking structure
- Contact locking structure

## Specifications

- Current rating: 2 A AC/DC (AWG #24)
- Voltage rating: 100 V AC/DC
- Temperature range: -25°C to +85°C  
(including temperature rise in applying electrical current)
- Contact resistance: Initial value/ 20 mΩ max.  
After environmental tests/ 40 mΩ max.
- Insulation resistance: 500 MΩ min.
- Withstanding voltage: 500 VAC/minute
- Applicable wire: Conductor size/ AWG #30 to #24  
Insulation O.D./ 0.8 to 1.2 mm

\* In using the products, refer to "Handling Precautions for Terminals and Connectors" described on our website (Technical documents of Product information page).

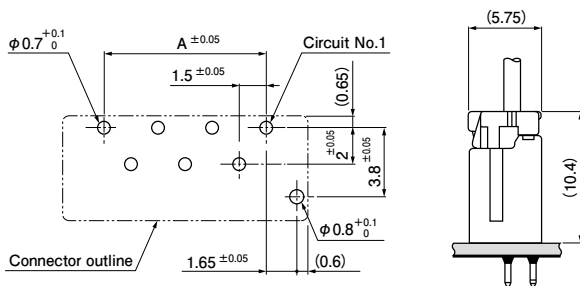
- \* RoHS2 compliance
- \* Dimensional unit: mm
- \* Contact JST for details.

## Standards

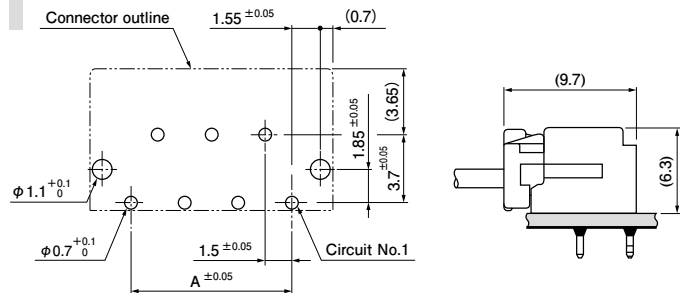
Recognized E60389

## PC board layout and Assembly layout

### Top entry type



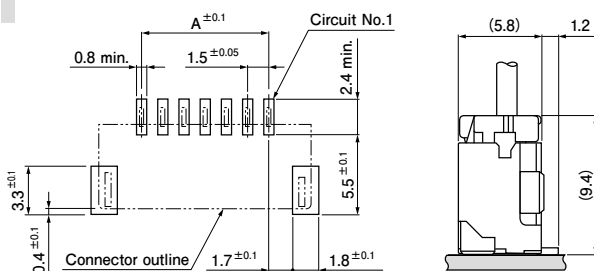
### Side entry type



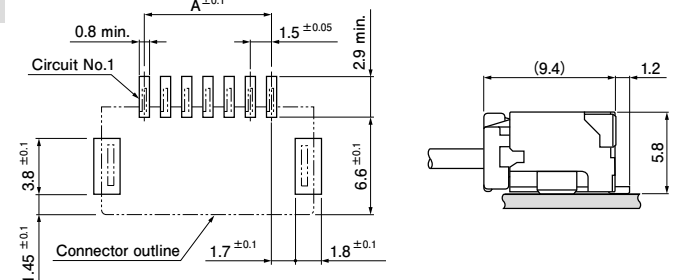
- Note: 1. The above figure is the figure viewed from the connector mounting side.  
2. Tolerances are non-cumulative:  $\pm 0.05$  mm for all centers.  
3. Hole dimensions differ according to the type of PC board and piercing method.  
The dimensions above should serve as a guideline. Contact JST for details.

### <SMT type>

#### Top entry type

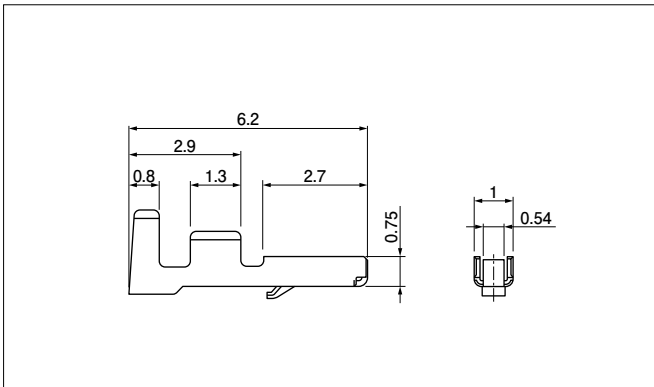


#### Side entry type



- Note: 1. The above figure is the figure viewed from the connector mounting side.  
2. Tolerances for the centers of pattern on PCB is  $\pm 0.05$ , and shall be not cumulative more than  $\pm 0.1$ .  
The dimensions above should serve as a guideline. Contact JST for details.

## Contact



| Model No.     | Applicable wire |       | Insulation O.D. (mm) | Q'ty/reel |
|---------------|-----------------|-------|----------------------|-----------|
|               | mm <sup>2</sup> | AWG # |                      |           |
| SZE-002T-P0.3 | 0.08~0.21       | 28~24 | 0.8~1.2              | 16,000    |
| SZE-003T-P0.3 | 0.05~0.13       | 30~26 | 0.8~1.0              | 16,000    |

### Material and Finish

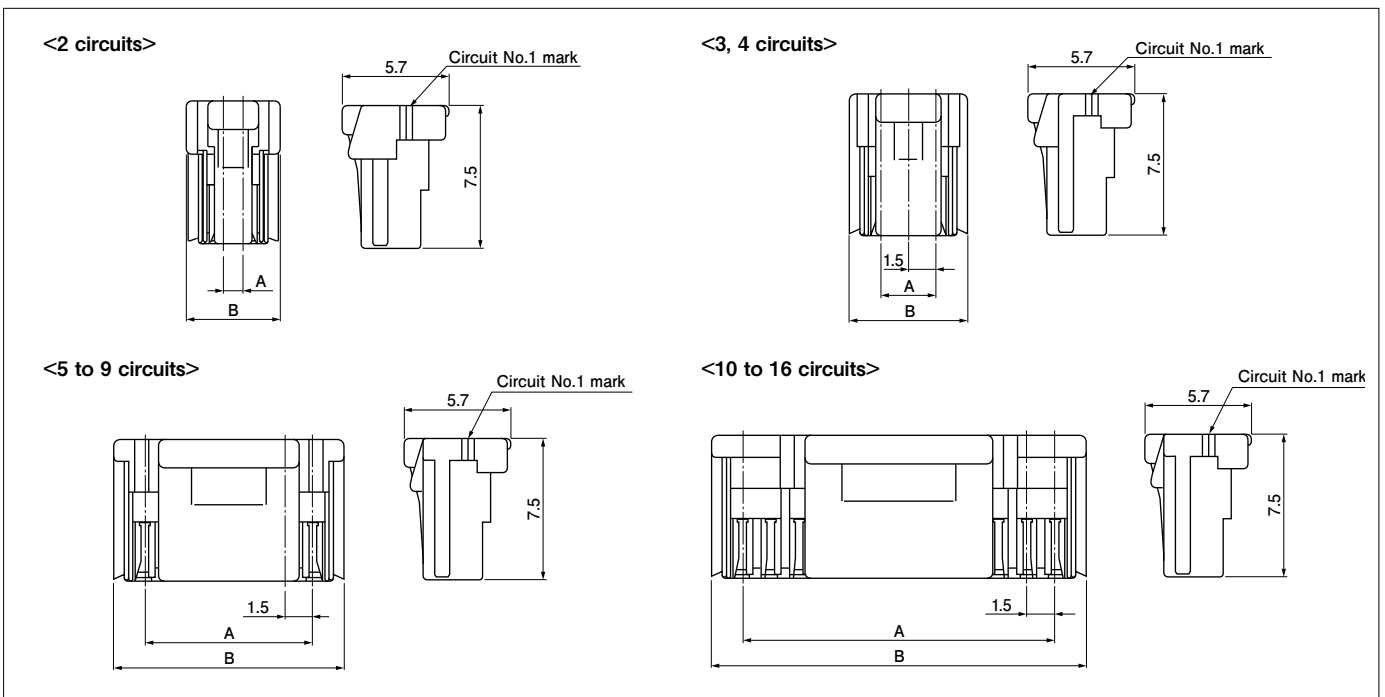
Copper alloy, tin-plated (reflow treatment)

### RoHS2 compliance

| Contact       | Crimping machine | Applicator       |               |                            |
|---------------|------------------|------------------|---------------|----------------------------|
|               |                  | Crimp applicator | Dies          | Crimp applicator with dies |
| SZE-002T-P0.3 | AP-K2N           | MKS-L            | MK/SZE-002-03 | APLMK SZE002-03            |
| SZE-003T-P0.3 |                  |                  | MK/SZE-003-03 | APLMK SZE003-03            |

Note: Contact JST for fully automatic crimping applicator.

## Housing



| No. of circuits | Model No. | Dimensions (mm) |      | Q'ty/bag |
|-----------------|-----------|-----------------|------|----------|
|                 |           | A               | B    |          |
| 2               | ZER-02V-S | 1.5             | 5.0  | 6,000    |
| 3               | ZER-03V-S | 3.0             | 6.3  | 6,000    |
| 4               | ZER-04V-S | 4.5             | 7.8  | 5,000    |
| 5               | ZER-05V-S | 6.0             | 9.3  | 3,000    |
| 6               | ZER-06V-S | 7.5             | 10.8 | 3,000    |
| 7               | ZER-07V-S | 9.0             | 12.3 | 2,000    |
| 8               | ZER-08V-S | 10.5            | 13.8 | 2,000    |
| 9               | ZER-09V-S | 12.0            | 15.3 | 2,000    |
| 10              | ZER-10V-S | 13.5            | 16.8 | 2,000    |
| 11              | ZER-11V-S | 15.0            | 18.3 | 2,000    |
| 12              | ZER-12V-S | 16.5            | 19.8 | 2,000    |
| 13              | ZER-13V-S | 18.0            | 21.3 | 2,000    |
| 14              | ZER-14V-S | 19.5            | 22.8 | 2,000    |
| 15              | ZER-15V-S | 21.0            | 24.3 | 1,500    |
| 16              | ZER-16V-S | 22.5            | 25.8 | 1,500    |

### Material and Finish

PBT, UL94V-0, natural

<For reference> As the color identification, the following alphabet shall be put in the underlined part. For availability, delivery and minimum order quantity, contact JST.

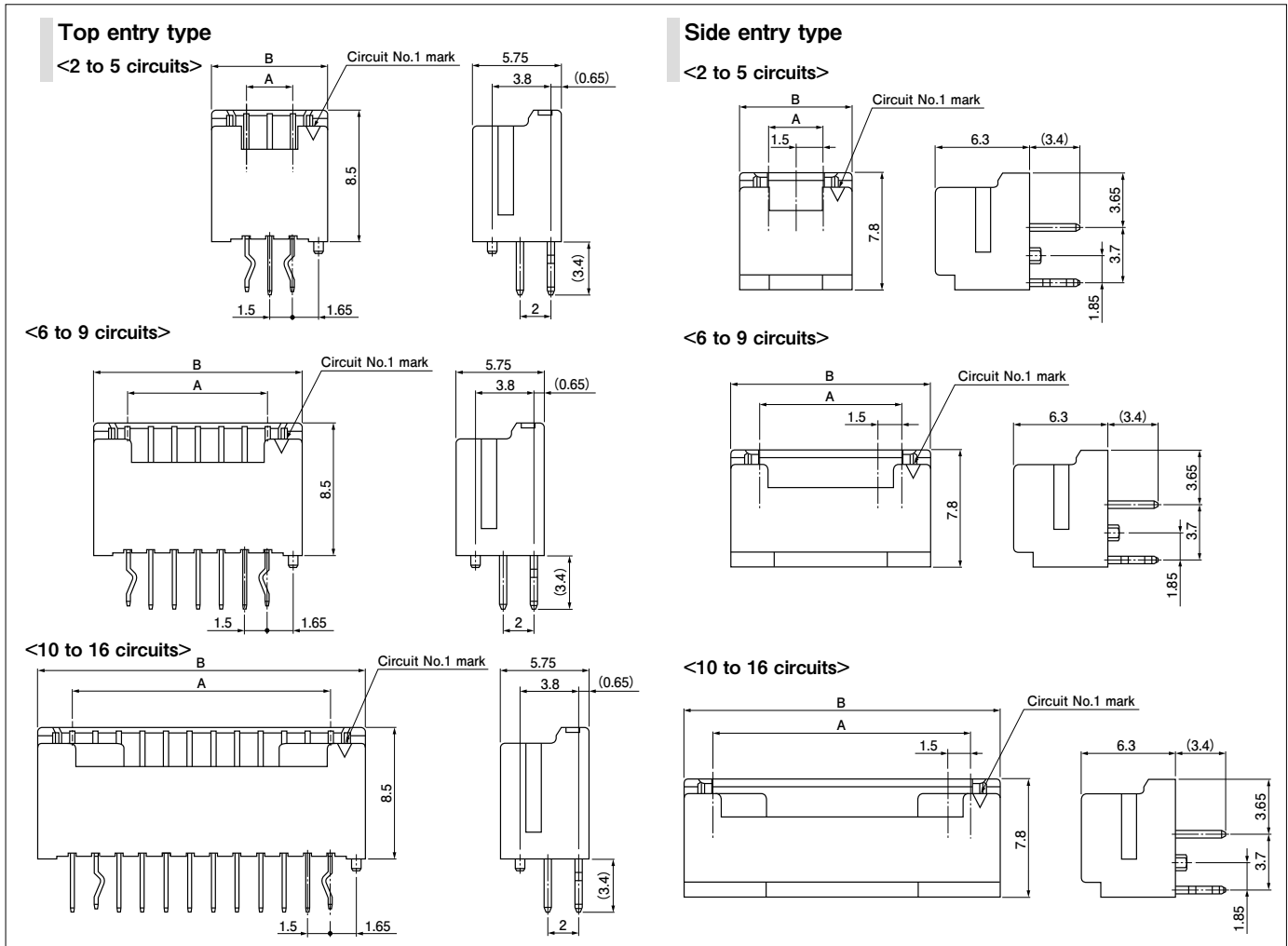
ex. **ZER-02V-S**

S...natural Z...ivory E...blue TR...tomato red MG...moss green  
 DH...dark gray DPK...dark pink L...lemon yellow LE...light blue  
 DO...dark orange DP...dark purple K...black R...red M...green  
 Y...yellow N...brown P...purple FY...vivid yellow PK...pink  
 O...orange

RoHS2 compliance

# ZE CONNECTOR

## Header (DIP type)



### Top entry type

| No. of circuits | Model No.    |              | Dimensions (mm) |      | Q'ty / box |
|-----------------|--------------|--------------|-----------------|------|------------|
|                 | Without boss | With boss    | A               | B    |            |
| 2               | —            | B02B-ZESK-1D | 1.5             | 6.0  | 2,496      |
| 3               | B03B-ZESK-D  | B03B-ZESK-1D | 3.0             | 7.5  | 1,984      |
| 4               | B04B-ZESK-D  | B04B-ZESK-1D | 4.5             | 9.0  | 1,664      |
| 5               | B05B-ZESK-D  | B05B-ZESK-1D | 6.0             | 10.5 | 1,408      |
| 6               | B06B-ZESK-D  | B06B-ZESK-1D | 7.5             | 12.0 | 1,216      |
| 7               | B07B-ZESK-D  | B07B-ZESK-1D | 9.0             | 13.5 | 1,088      |
| 8               | B08B-ZESK-D  | B08B-ZESK-1D | 10.5            | 15.0 | 960        |
| 9               | B09B-ZESK-D  | B09B-ZESK-1D | 12.0            | 16.5 | 896        |
| 10              | B10B-ZESK-D  | B10B-ZESK-1D | 13.5            | 18.0 | 832        |
| 11              | B11B-ZESK-D  | B11B-ZESK-1D | 15.0            | 19.5 | 768        |
| 12              | B12B-ZESK-D  | B12B-ZESK-1D | 16.5            | 21.0 | 704        |
| 13              | B13B-ZESK-D  | B13B-ZESK-1D | 18.0            | 22.5 | 640        |
| 14              | B14B-ZESK-D  | B14B-ZESK-1D | 19.5            | 24.0 | 576        |
| 15              | B15B-ZESK-D  | B15B-ZESK-1D | 21.0            | 25.5 | 576        |
| 16              | B16B-ZESK-D  | B16B-ZESK-1D | 22.5            | 27.0 | 512        |

#### Material and Finish

Contact: Copper alloy, copper-undercoated, tin-plated (reflow treatment)  
Wafer: Glass-filled PA 66, UL94V-0, natural

### Side entry type

| No. of circuits | Model No.    | Dimensions (mm) |      | Q'ty / box |
|-----------------|--------------|-----------------|------|------------|
|                 |              | A               | B    |            |
| 2               | S02B-ZESK-2D | 1.5             | 6.0  | 1,872      |
| 3               | S03B-ZESK-2D | 3.0             | 7.5  | 1,488      |
| 4               | S04B-ZESK-2D | 4.5             | 9.0  | 1,248      |
| 5               | S05B-ZESK-2D | 6.0             | 10.5 | 1,056      |
| 6               | S06B-ZESK-2D | 7.5             | 12.0 | 912        |
| 7               | S07B-ZESK-2D | 9.0             | 13.5 | 816        |
| 8               | S08B-ZESK-2D | 10.5            | 15.0 | 720        |
| 9               | S09B-ZESK-2D | 12.0            | 16.5 | 672        |
| 10              | S10B-ZESK-2D | 13.5            | 18.0 | 624        |
| 11              | S11B-ZESK-2D | 15.0            | 19.5 | 576        |
| 12              | S12B-ZESK-2D | 16.5            | 21.0 | 528        |
| 13              | S13B-ZESK-2D | 18.0            | 22.5 | 480        |
| 14              | S14B-ZESK-2D | 19.5            | 24.0 | 432        |
| 15              | S15B-ZESK-2D | 21.0            | 25.5 | 432        |
| 16              | S16B-ZESK-2D | 22.5            | 27.0 | 384        |

#### Material and Finish

Contact: Copper alloy, copper-undercoated, tin-plated (reflow treatment)  
Wafer: Glass-filled PA 66, UL94V-0, natural

**RoHS2 compliance** This product displays (LF)(SN) on a label.  
Note: Top entry type 2 circuits is only header with boss.

<For reference> As the color identification, the following alphabet shall be put in the underlined part.  
For availability, delivery and minimum order quantity, contact JST.

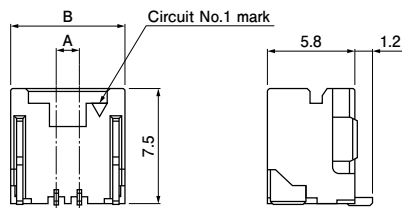
ex. B02B-ZESK-1D, S02B-ZESK-2D S...natural Z...ivory E...blue TR...tomato red MG...moss green DH...dark gray DPK...dark pink  
L...lemon yellow LE...light blue DO...dark orange K...black R...red M...green Y...yellow N...brown P...purple FY...vivid yellow PK...pink O...orange

**RoHS2 compliance** This product displays (LF)(SN) on a label.

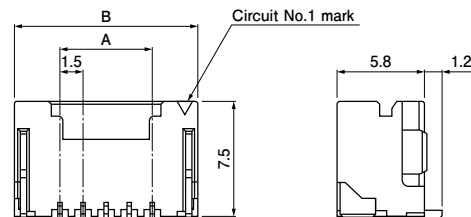
## Header (SMT type)

### Top entry type

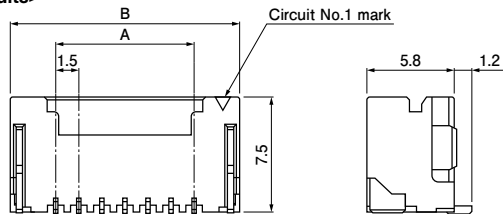
<2 circuits>



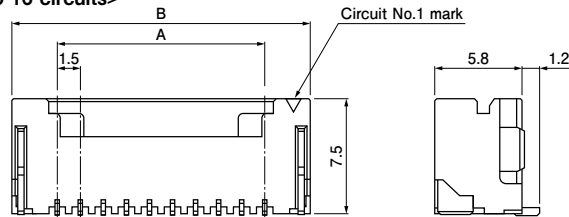
<3 to 5 circuits>



<6 to 9 circuits>

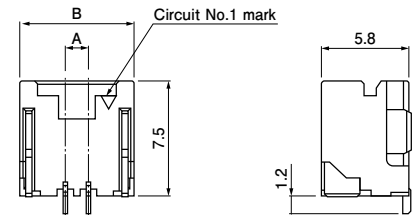


<10 to 16 circuits>

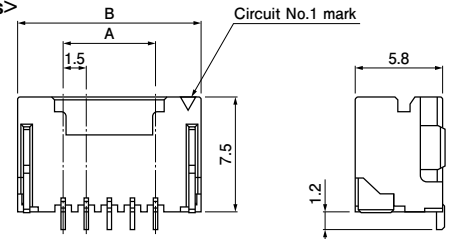


### Side entry type

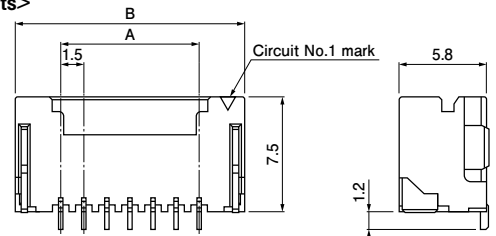
<2 circuits>



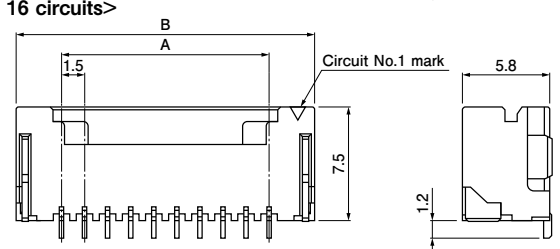
<3 to 5 circuits>



<6 to 9 circuits>



<10 to 16 circuits>



### Top entry type

| No. of circuits | Model No.      | Dimensions (mm) |      | Q'ty/reel |
|-----------------|----------------|-----------------|------|-----------|
|                 |                | A               | B    |           |
| 2               | BM02B-ZESS-TBT | 1.5             | 7.5  | 800       |
| 3               | BM03B-ZESS-TBT | 3.0             | 9.0  | 800       |
| 4               | BM04B-ZESS-TBT | 4.5             | 10.5 | 800       |
| 5               | BM05B-ZESS-TBT | 6.0             | 12.0 | 800       |
| 6               | BM06B-ZESS-TBT | 7.5             | 13.5 | 800       |
| 7               | BM07B-ZESS-TBT | 9.0             | 15.0 | 800       |
| 8               | BM08B-ZESS-TBT | 10.5            | 16.5 | 800       |
| 9               | BM09B-ZESS-TBT | 12.0            | 18.0 | 800       |
| 10              | BM10B-ZESS-TBT | 13.5            | 19.5 | 800       |
| 11              | BM11B-ZESS-TBT | 15.0            | 21.0 | 800       |
| 12              | BM12B-ZESS-TBT | 16.5            | 22.5 | 800       |
| 13              | BM13B-ZESS-TBT | 18.0            | 24.0 | 800       |
| 14              | BM14B-ZESS-TBT | 19.5            | 25.5 | 800       |
| 15              | BM15B-ZESS-TBT | 21.0            | 27.0 | 800       |
| 16              | BM16B-ZESS-TBT | 22.5            | 28.5 | 800       |

#### Material and Finish

Contact: Copper alloy, copper-undercoated, tin-plated (reflow treatment)  
 Wafer: Polyamide, UL94V-0, natural  
 Reinforcement: Copper alloy, copper-undercoated, tin-plated (reflow treatment)

**RoHS2 compliance** This product displays (LF)(SN) on a label.  
 Note: The products listed above are supplied on embossed-tape/with suction tape.

<For reference> As the color identification, the following alphabet shall be put in the underlined part.  
 For availability, delivery and minimum order quantity, contact JST.

ex. **BM02B-ZESS-TBT, SM02B-ZESS-TB** S...natural Z...ivory E...blue TR...tomato red MG...moss green DH...dark gray DPK...dark pink  
 L...lemon yellow LE...light blue DO...dark orange DP...dark purple

### Side entry type

| No. of circuits | Model No.     | Dimensions (mm) |      | Q'ty/reel |
|-----------------|---------------|-----------------|------|-----------|
|                 |               | A               | B    |           |
| 2               | SM02B-ZESS-TB | 1.5             | 7.5  | 1,000     |
| 3               | SM03B-ZESS-TB | 3.0             | 9.0  | 1,000     |
| 4               | SM04B-ZESS-TB | 4.5             | 10.5 | 1,000     |
| 5               | SM05B-ZESS-TB | 6.0             | 12.0 | 1,000     |
| 6               | SM06B-ZESS-TB | 7.5             | 13.5 | 1,000     |
| 7               | SM07B-ZESS-TB | 9.0             | 15.0 | 1,000     |
| 8               | SM08B-ZESS-TB | 10.5            | 16.5 | 1,000     |
| 9               | SM09B-ZESS-TB | 12.0            | 18.0 | 1,000     |
| 10              | SM10B-ZESS-TB | 13.5            | 19.5 | 1,000     |
| 11              | SM11B-ZESS-TB | 15.0            | 21.0 | 1,000     |
| 12              | SM12B-ZESS-TB | 16.5            | 22.5 | 1,000     |
| 13              | SM13B-ZESS-TB | 18.0            | 24.0 | 1,000     |
| 14              | SM14B-ZESS-TB | 19.5            | 25.5 | 1,000     |
| 15              | SM15B-ZESS-TB | 21.0            | 27.0 | 1,000     |
| 16              | SM16B-ZESS-TB | 22.5            | 28.5 | 1,000     |

#### Material and Finish

Contact: Copper alloy, copper-undercoated, tin-plated (reflow treatment)  
 Wafer: Polyamide, UL94V-0, natural  
 Reinforcement: Copper alloy, copper-undercoated, tin-plated (reflow treatment)

**RoHS2 compliance** This product displays (LF)(SN) on a label.  
 Note: The products listed above are supplied on embossed-tape/without suction tape.