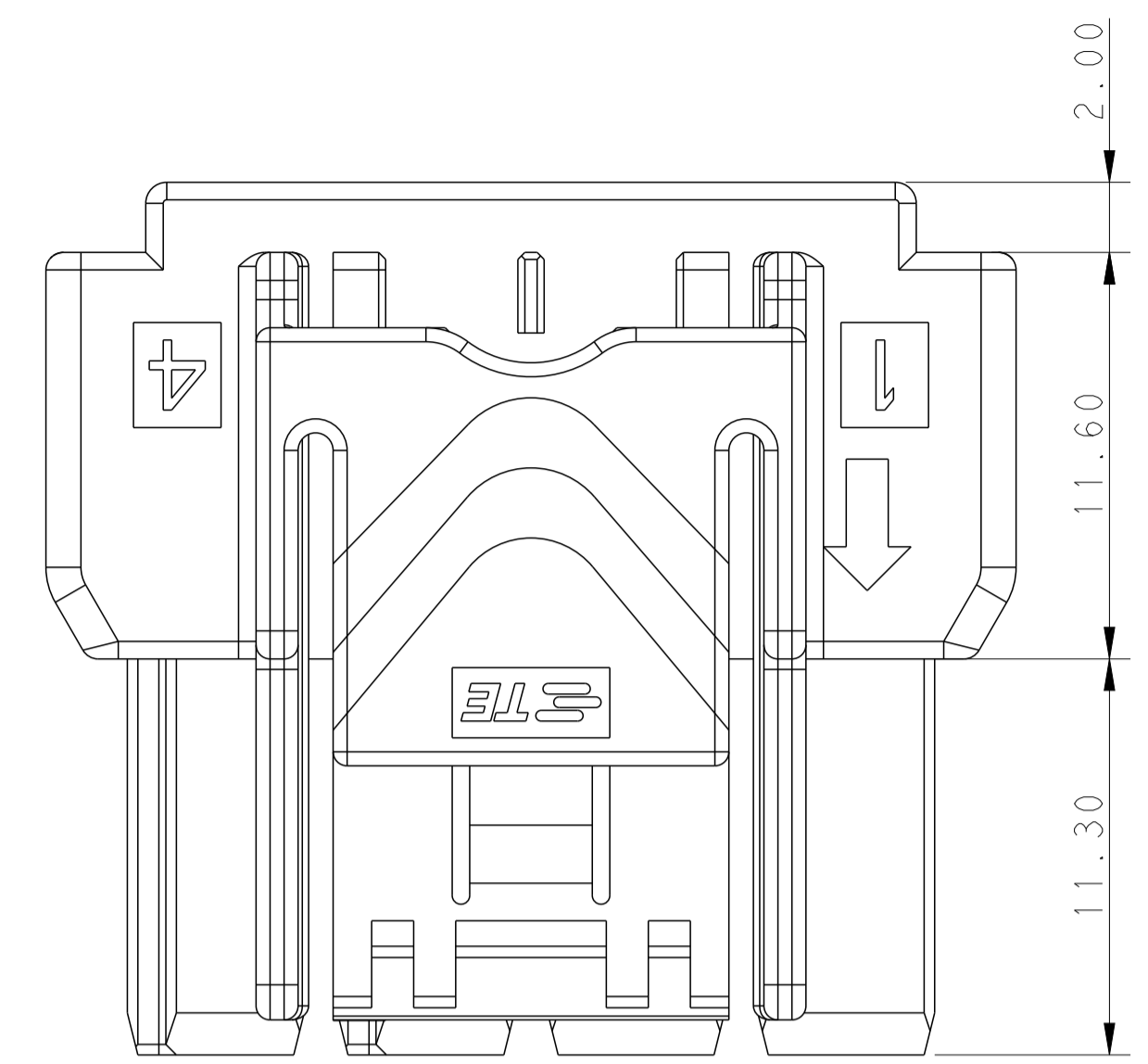
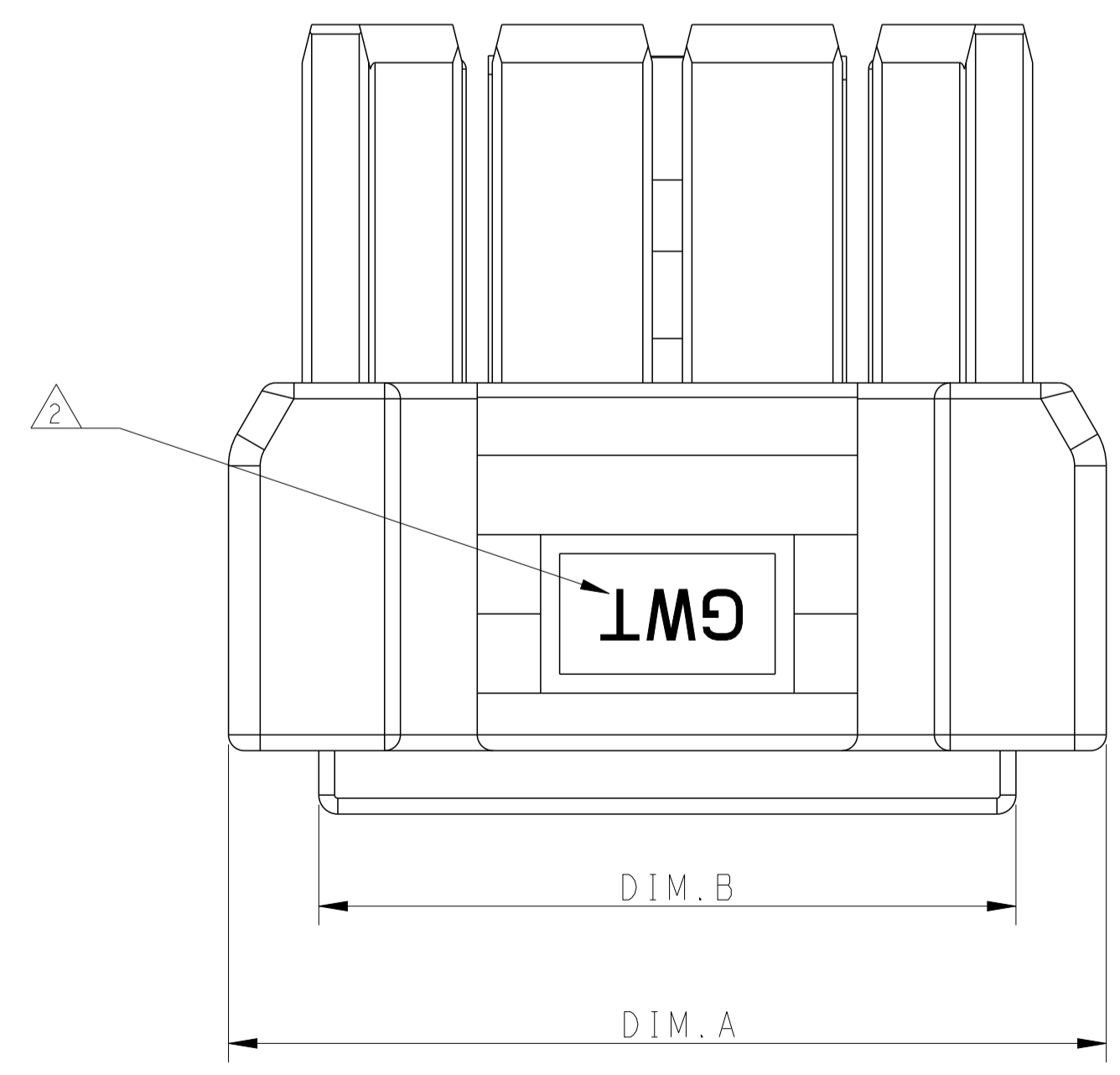
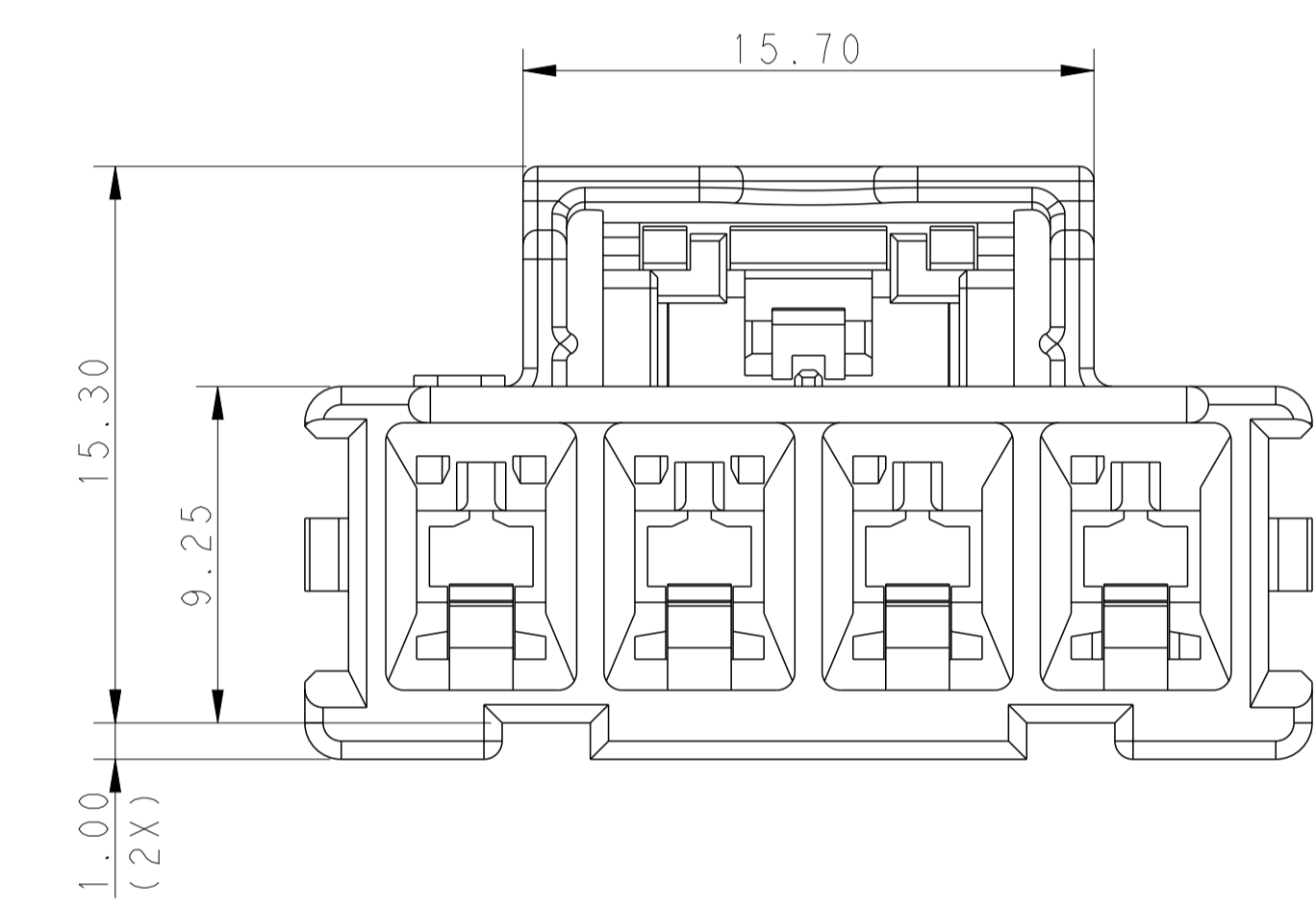
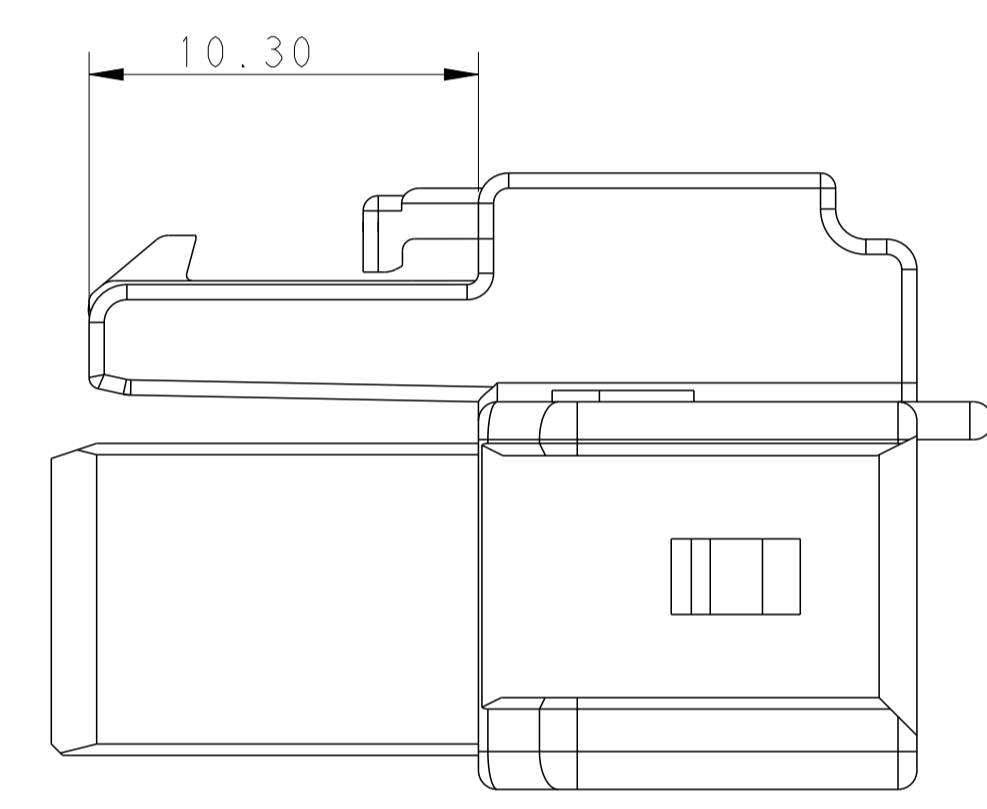
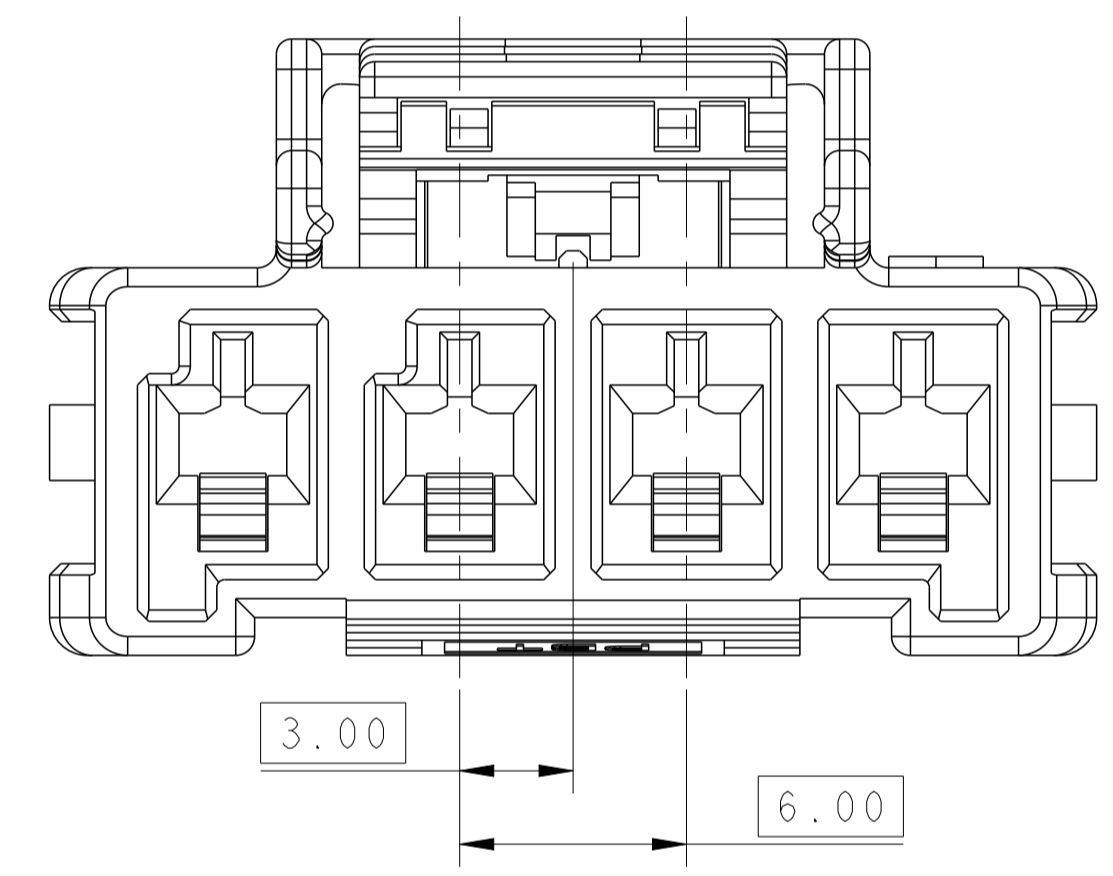


LOC		DIST		REVISIONS			
P	LTN	DESCRIPTION	DATE	DWN	APVD		
C		REVISED PER ECR-16-001024	03JUN2016	BW	GJ		



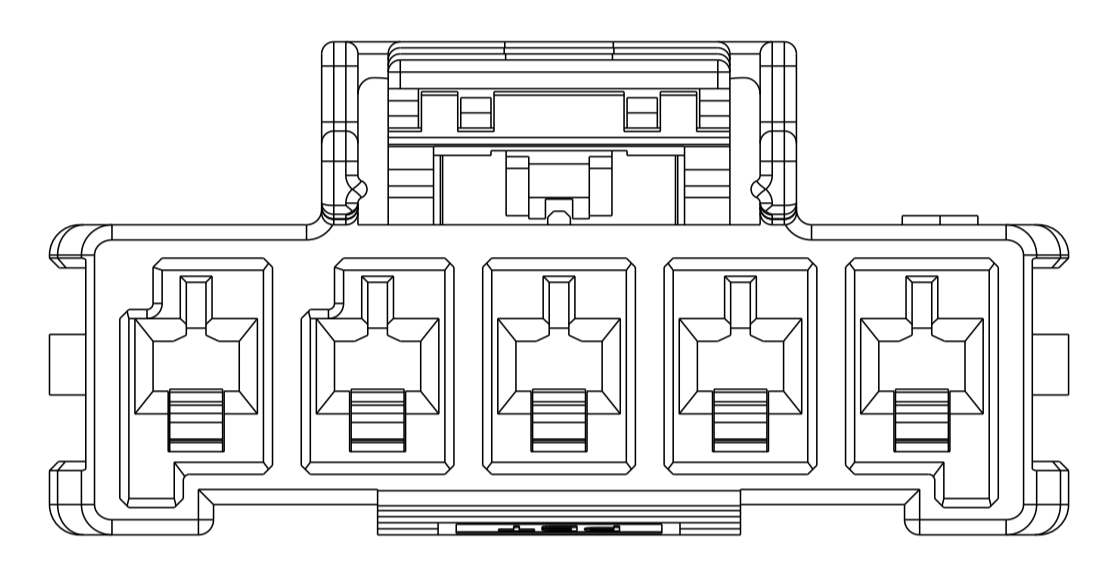
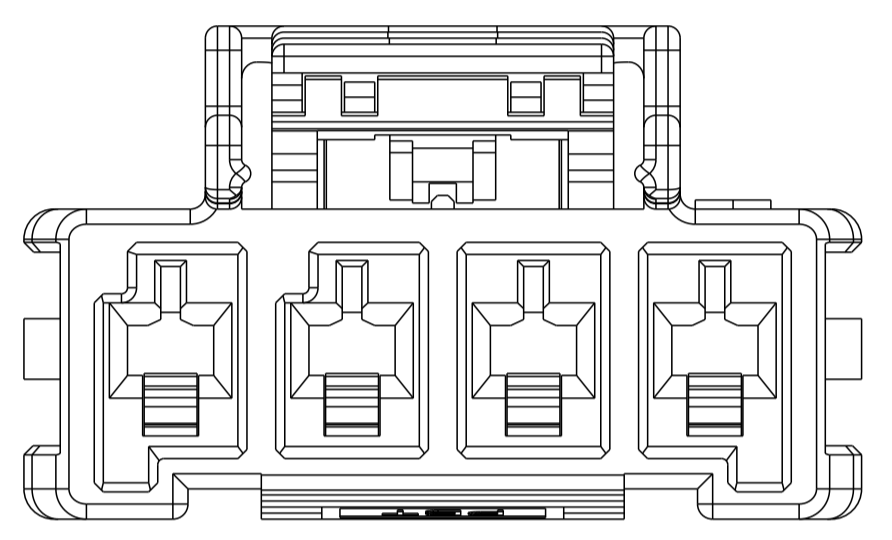
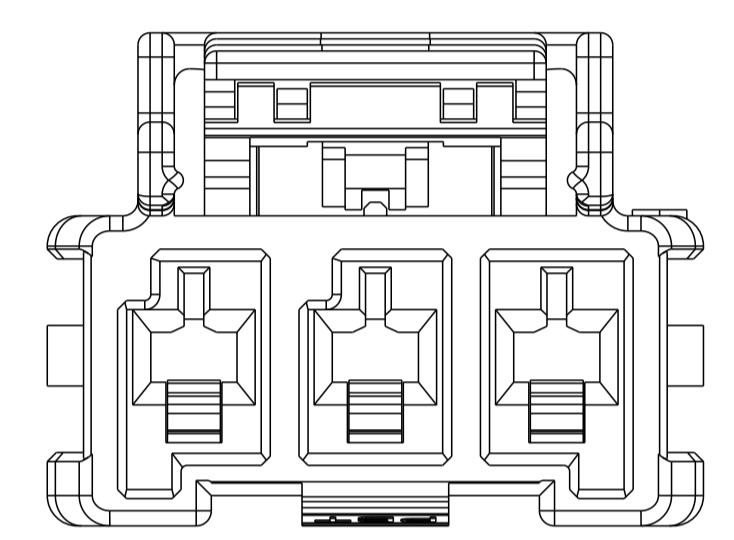
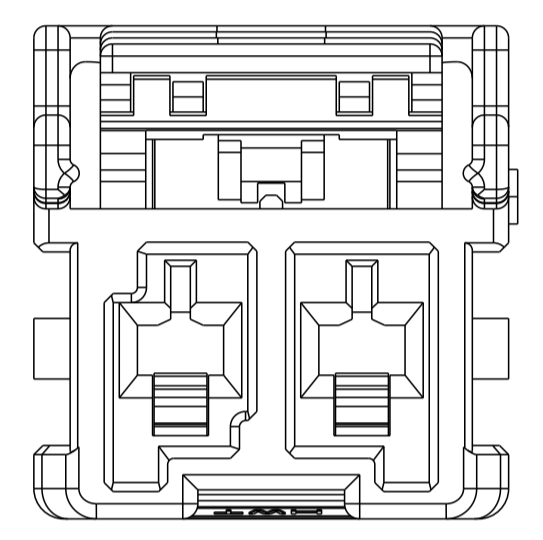
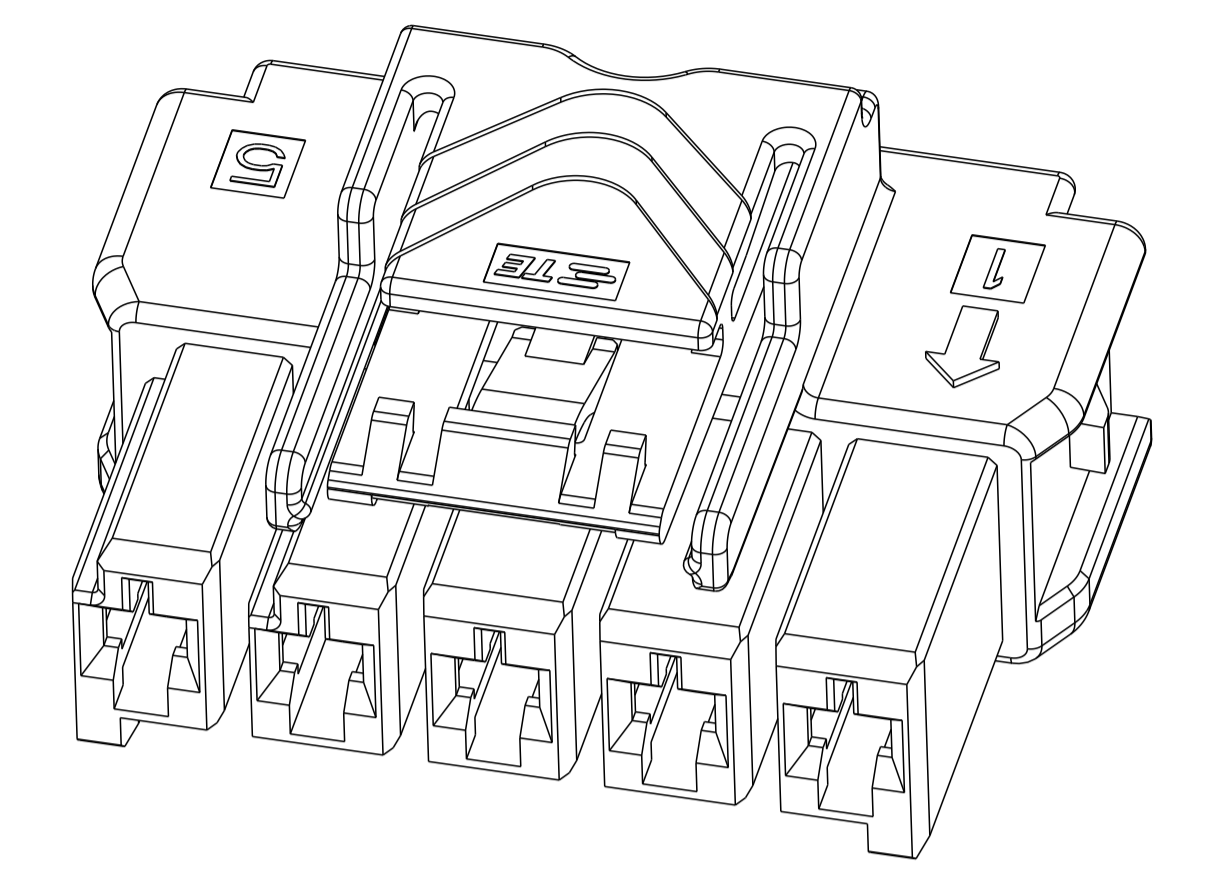
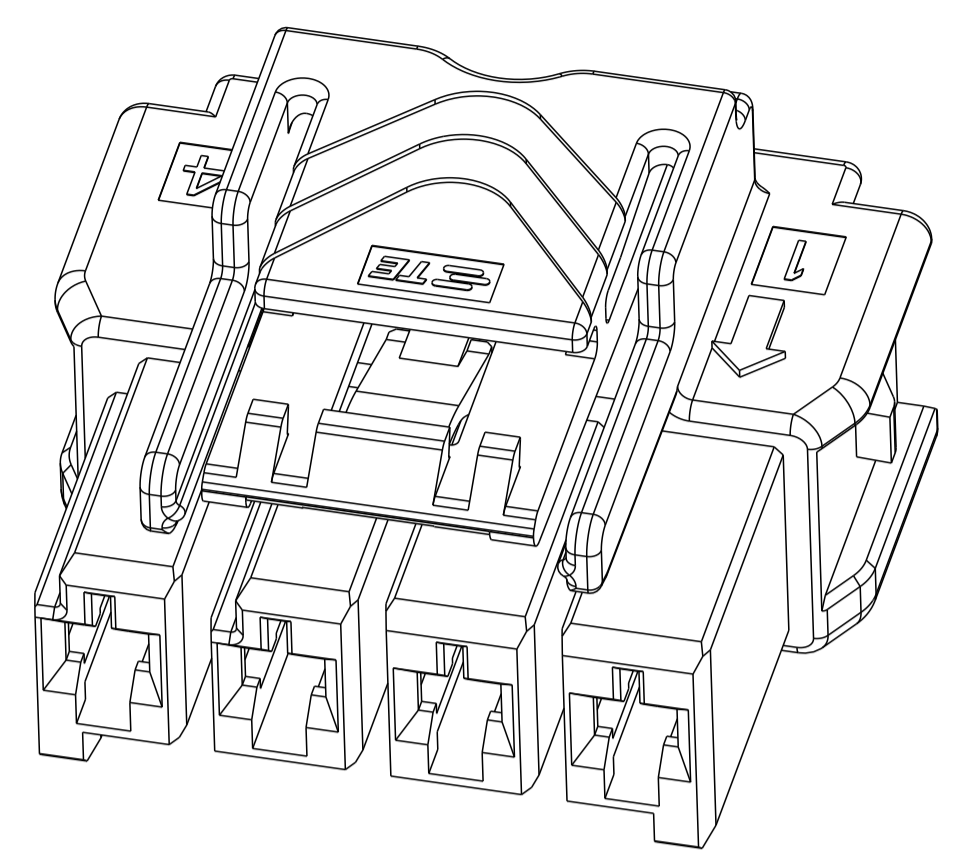
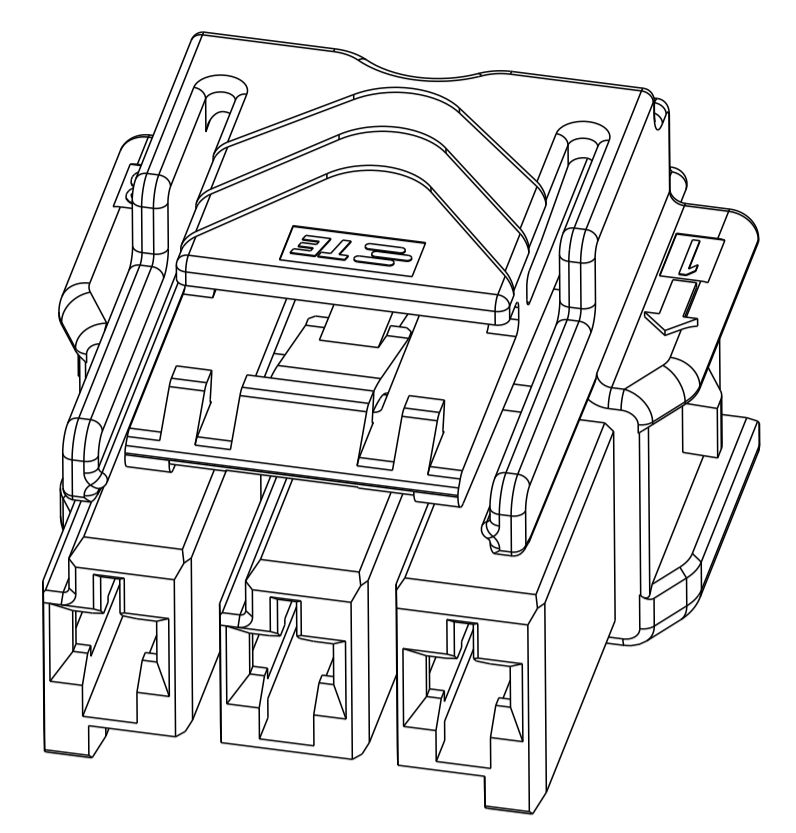
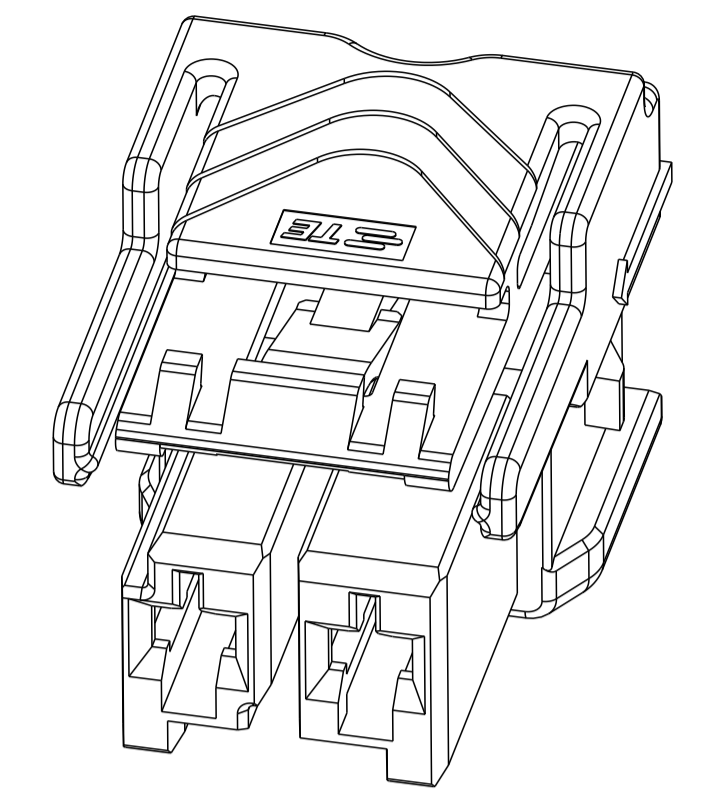
POS.	DIM. A	DIM. B
1*5	33.70	28.00
1*4	27.70	22.00
1*3	21.70	16.00
1*2	15.70	10.00



NOTE
 1. MATERIAL:
 LEVEL A: PA6, COMPLY WITH GLOW WIRE REQUIREMENTS FOR PARTS OF NON-METALLIC MATERIAL SUPPORTING A CURRENT-CARRYING CONNECTION DETAILED IN IEC 60335-1, SECTION 30 (GWT), UL 94V-0
 LEVEL B: PBT, HOT WIRE IGNITION (HWI) VERSION ARE MOLDED IN A RESIN THAT COMPLIES WITH TE HOT WIRE IGNITION TEST 109-32026 AND ARE RECOMMENDED FOR USE WITH HWI HOUSINGS THAT ALSO COMPLY, UL 94V-0
 2. MATERIAL MARK:
 LEVEL A: GWT, LEVEL B: HWT
 3. APPLICABLE CONTACT P/N
 REC CONTACT: 1971237/1971779/81/83/85/87-*
 4. MATING CONN. P/N
 CAP HSG: *-2232358/263-*
 TPA: *-1971777-*

THIS DRAWING IS A CONTROLLED DOCUMENT.		DWN: TOMMY WU 26MAR2013	TE Connectivity
DIMENSIONS: mm		CHK: HAPYE WU 26MAR2013	
TOLERANCES UNLESS OTHERWISE SPECIFIED:		APVD: YUHONG MAO 26MAR2013	NAME: PLUG HOUSING, SINGLE ROW POWER TRIPLE LOCK
0 PLC	±	PRODUCT SPEC	108-106118
1 PLC	±0.35	APPLICATION SPEC	114-106118
2 PLC	±0.25	SIZE	A1
3 PLC	±	CAGE CODE	2232265
4 PLC	±	DRAWING NO	2232265
ANGLES	±	RESTRICTED TO	-
FINISH	-	WEIGHT	-
MATERIAL: SEE TABLE	-	Customer Drawing	SCALE: SHEET 1 OF 2 REV C

LOC		DIST		REVISIONS			
P	LTH	DESCRIPTION	DATE	OWN	APVD		
-	-	SEE SHEET 1	-	-	-		

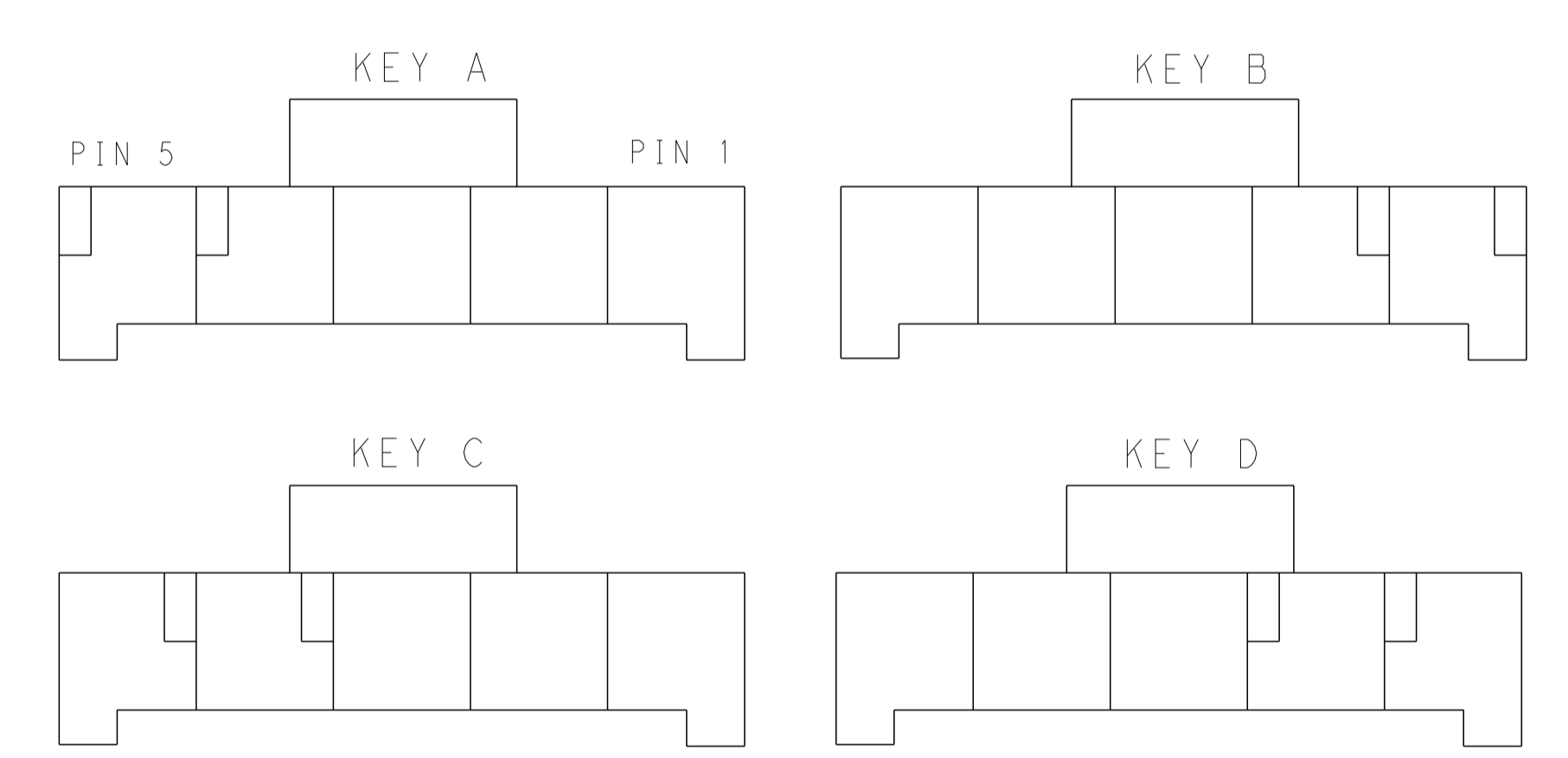
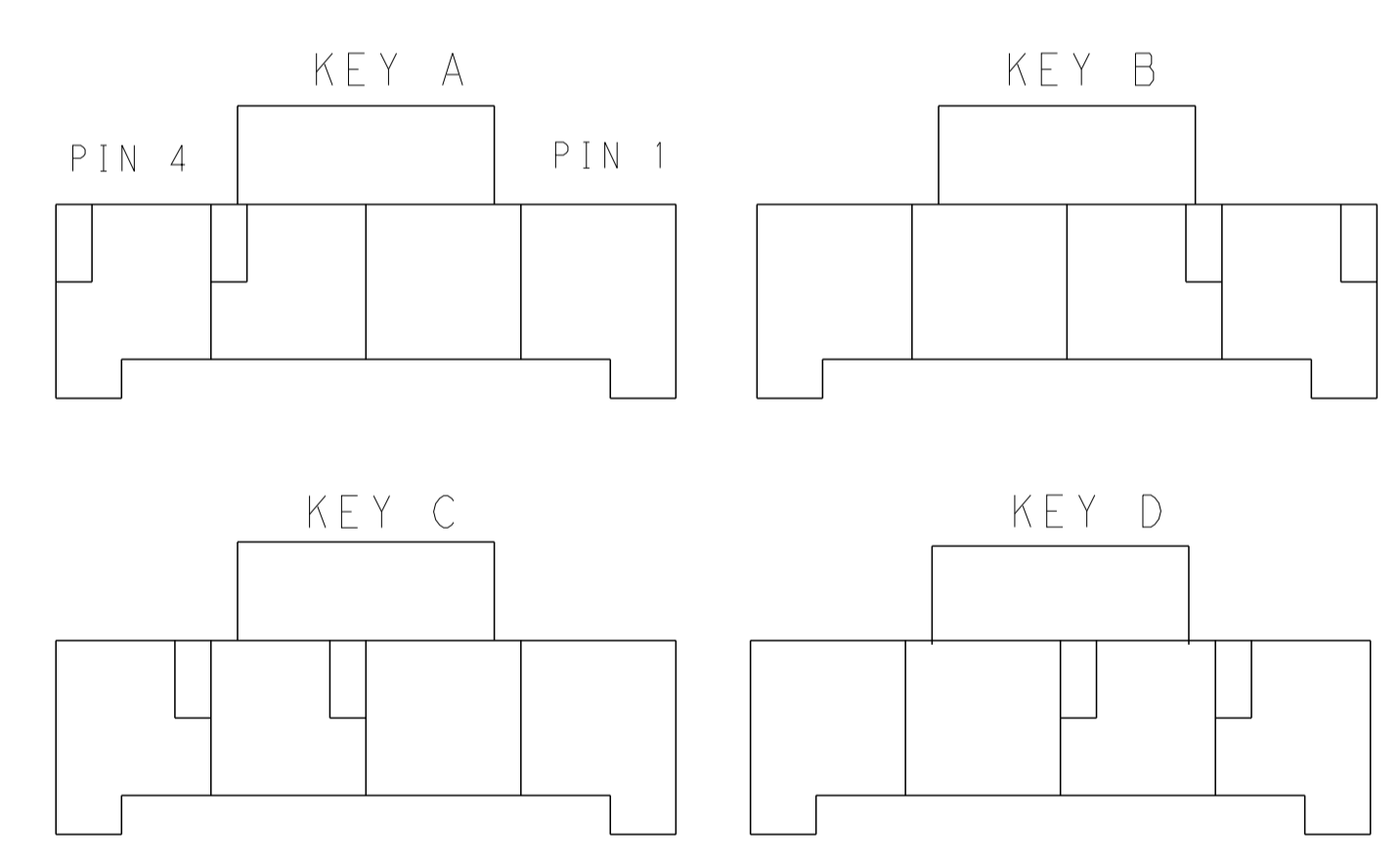
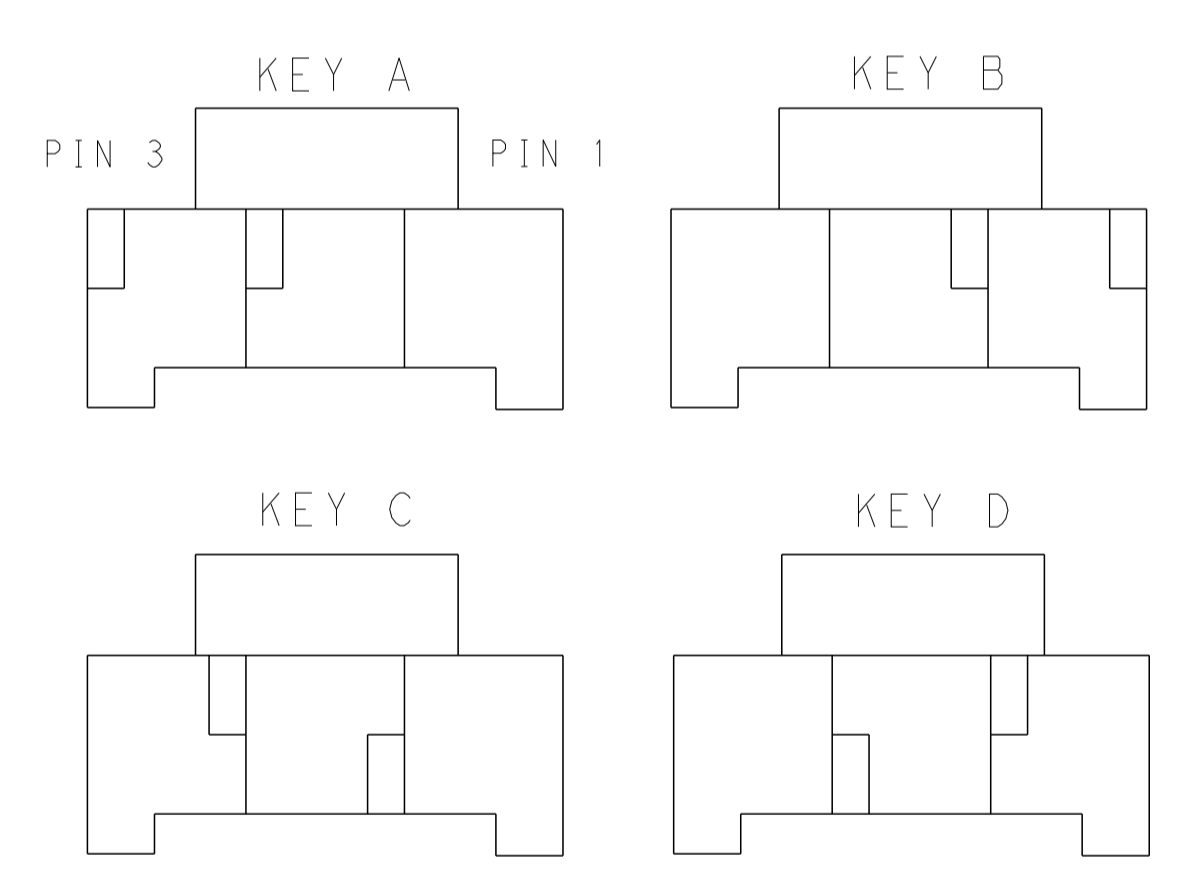
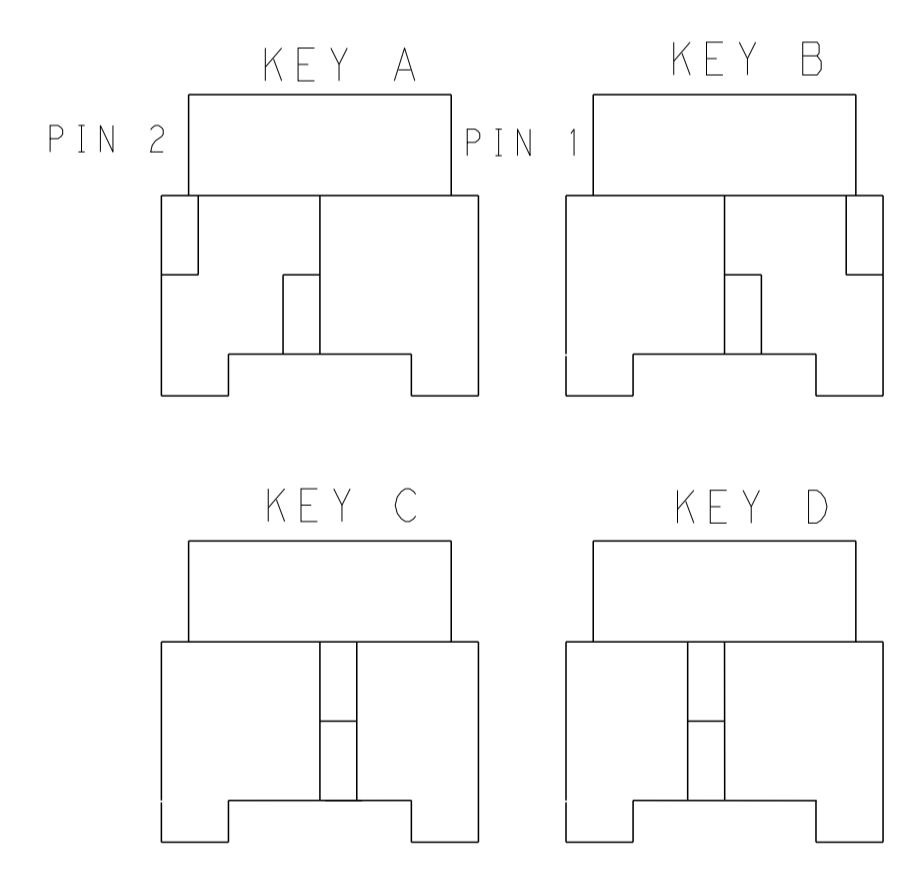


1*2 POSITIONS

1*3 POSITIONS

1*4 POSITIONS

1*5 POSITIONS



KEYING FOR 1*2 POS.

KEYING FOR 1*3 POS.

KEYING FOR 1*4 POS.

KEYING FOR 1*5 POS.

POS.	MATERIAL	COLOR	KEY	P/N
1*5	LEVEL A	DARK GREY	KEY A	5-2232265-7
		BROWN	KEY B	6-2232265-7
		GREEN	KEY C	7-2232265-7
		ORANGE	KEY D	8-2232265-7
1*4	LEVEL B	BLACK	KEY A	1-2232265-3
		DARK GREY	KEY A	5-2232265-4
		BROWN	KEY B	6-2232265-4
		GREEN	KEY C	7-2232265-4
1*3	LEVEL A	ORANGE	KEY D	8-2232265-4
		BLACK	KEY A	1-2232265-2
		DARK GREY	KEY A	5-2232265-3
		BROWN	KEY B	6-2232265-3
1*2	LEVEL A	GREEN	KEY C	7-2232265-3
		ORANGE	KEY D	8-2232265-3
		NATURAL	KEY B	2-2232265-1
		BLACK	KEY A	1-2232265-1

THIS DRAWING IS A CONTROLLED DOCUMENT.

DIMENSIONS:	TOLERANCES UNLESS OTHERWISE SPECIFIED:	OWN: TOMMY WU 26MAR2013	TE Connectivity NAME: PLUG HOUSING, SINGLE ROW POWER TRIPLE LOCK PRODUCT SPEC: 108-106118 APPLICATION SPEC: 114-106118 WEIGHT: - Customer Drawing
mm	0 PLC ±0.35 2 PLC ±0.25 3 PLC ±0.25 4 PLC ±0.25	CHK: HAPYE WU 26MAR2013	
	ANGLES ±0.1	APVD: YUHONG MAO 26MAR2013	
	FINISH -		

SIZE: CAGE CODE DRAWING NO: A100779C=2232265
 SHEET 2 OF 2 REV C

Mouser Electronics

Authorized Distributor

Click to View Pricing, Inventory, Delivery & Lifecycle Information:

[TE Connectivity:](#)

[5-2232265-3](#)