



ATmega16M1/ATmega32M1/ATmega64M1/ ATmega32C1/ATmega64C1 Automotive

**8-bit AVR Microcontroller with 16K/32K/64Kbytes
In-system**

DATASHEET

Features

- High performance, low power AVR[®] 8-bit microcontroller
- Advanced RISC architecture
 - 131 powerful instructions - most single clock cycle execution
 - 32 x 8 general purpose working registers
 - Fully static operation
 - Up to 1MIPS throughput per MHz
 - On-chip 2-cycle multiplier
- Data and non-volatile program memory
 - 16K/32K/64Kbytes flash of in-system programmable program memory
 - Endurance: 10,000 write/erase cycles
 - Optional boot code section with independent lock bits
 - In-system programming by on-chip boot program
 - True read-while-write operation
 - 512/1024/2048 Bytes of in-system programmable EEPROM
 - Endurance: 100,000 write/erase cycles
- Programming lock for flash program and EEPROM data security
- 1024/2048/4096 bytes internal SRAM
- On chip debug interface (debugWIRE)
- CAN 2.0A/B with 6 message objects - ISO 16845 certified⁽¹⁾
- LIN 2.1 and 1.3 controller or 8-Bit UART
- One 12-bit high-speed PSC (power stage controller) (only Atmel[®] ATmega16/32/64M1)
 - Non overlapping inverted PWM output pins with flexible dead-time
 - Variable PWM duty cycle and frequency
 - Synchronous update of all PWM registers
 - Auto stop function for emergency event
- Peripheral features
 - One 8-bit general purpose Timer/Counter with separate prescaler, compare mode and capture mode
 - One 16-bit general purpose Timer/Counter with separate prescaler, compare mode and capture mode
 - One master/slave SPI serial interface

- 10-bit ADC
 - Up to 11 single ended channels and 3 fully differential ADC channel pairs
 - Programmable gain (5x, 10x, 20x, 40x) on differential channels
 - Internal reference voltage
 - Direct power supply voltage measurement
- 10-bit DAC for variable voltage reference (comparators, ADC)
- Four analog comparators with variable threshold detection
- 100µA ±6% current source (LIN node identification)
- Interrupt and wake-up on pin change
- Programmable watchdog timer with separate on-chip oscillator
- On-chip temperature sensor
- Special microcontroller features
 - Low power idle, noise reduction, and power down modes
 - Power on reset and programmable brown out detection
 - In-system programmable via SPI port
 - High precision crystal oscillator for CAN operations (16MHz)
 - Internal calibrated RC oscillator (8MHz)
 - On-chip PLL for fast PWM (32MHz, 64MHz) and CPU (16MHz) (only Atmel® ATmega16/32/64M1)
 - Operating voltage:
 - 2.7V - 5.5V
 - Extended operating temperature:
 - -40°C to +125°C
 - Core speed grade:
 - 0 - 8MHz at 2.7 - 4.5V
 - 0 - 16MHz at 4.5 - 5.5V

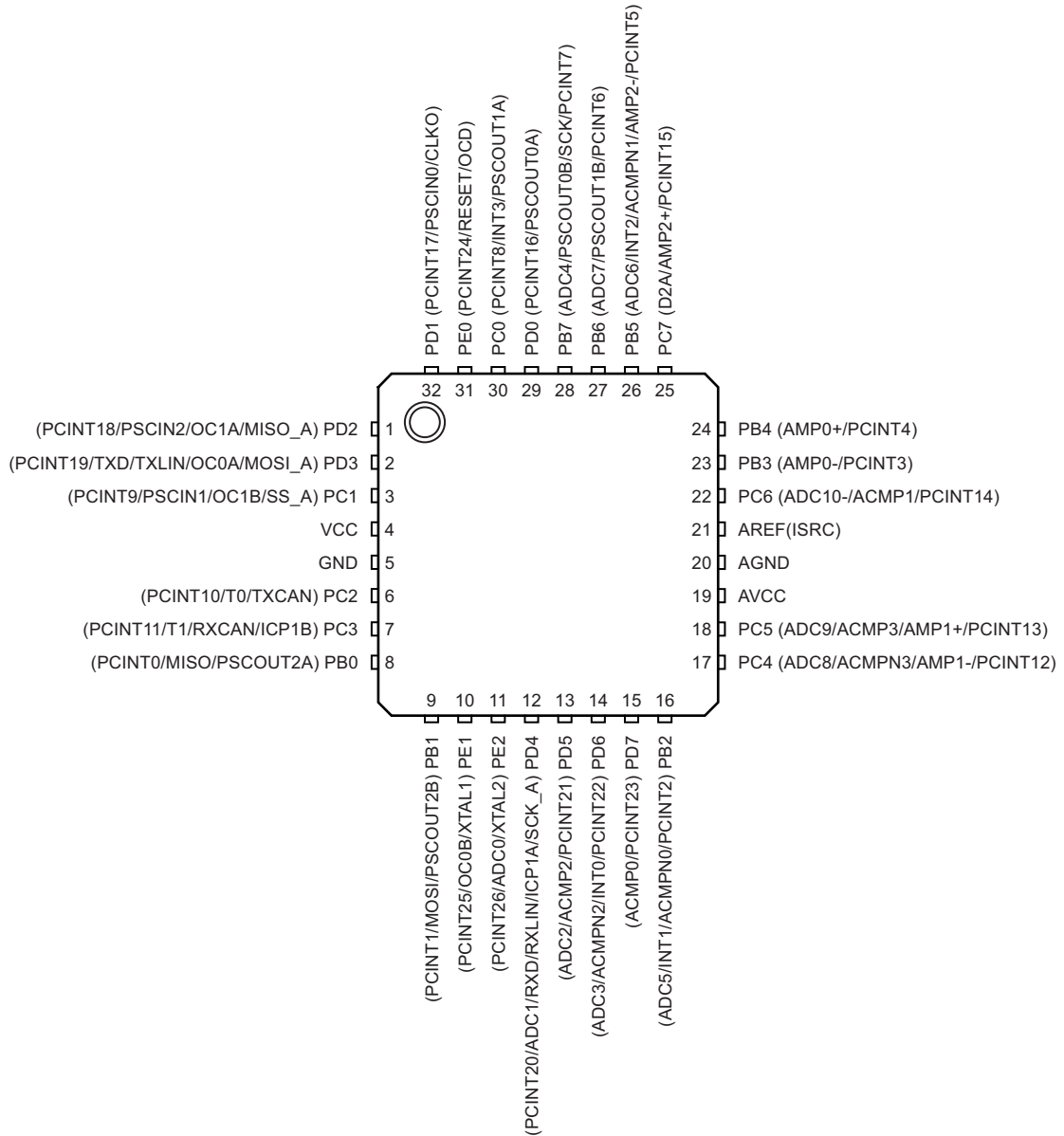
Note: 1. See certification on Atmel web site and note on [Section 16.4.3 “Baud Rate” on page 148.](#)

Table 1. ATmega32/64/M1/C1 Product Line-up

Part Number	ATmega32C1	ATmega64C1	ATmega16M1	ATmega32M1	ATmega64M1
Flash size	32Kbyte	64Kbyte	16Kbyte	32Kbyte	64Kbyte
RAM size	2048 bytes	4096 bytes	1024 bytes	2048 bytes	4096 bytes
EEPROM size	1024 bytes	2048 bytes	512 bytes	1024 bytes	2048 bytes
8-bit timer	Yes				
16-bit timer	Yes				
PSC	No		Yes		
PWM outputs	4	4	10	10	10
Fault inputs (PSC)	0	0	3	3	3
PLL	No		Yes		
10-bit ADC channels	11 single 3 differential				
10-bit DAC	Yes				
analog comparators	4				
Current source	Yes				
CAN	Yes				
LIN/UART	Yes				
On-chip temp. sensor	Yes				
SPI interface	Yes				

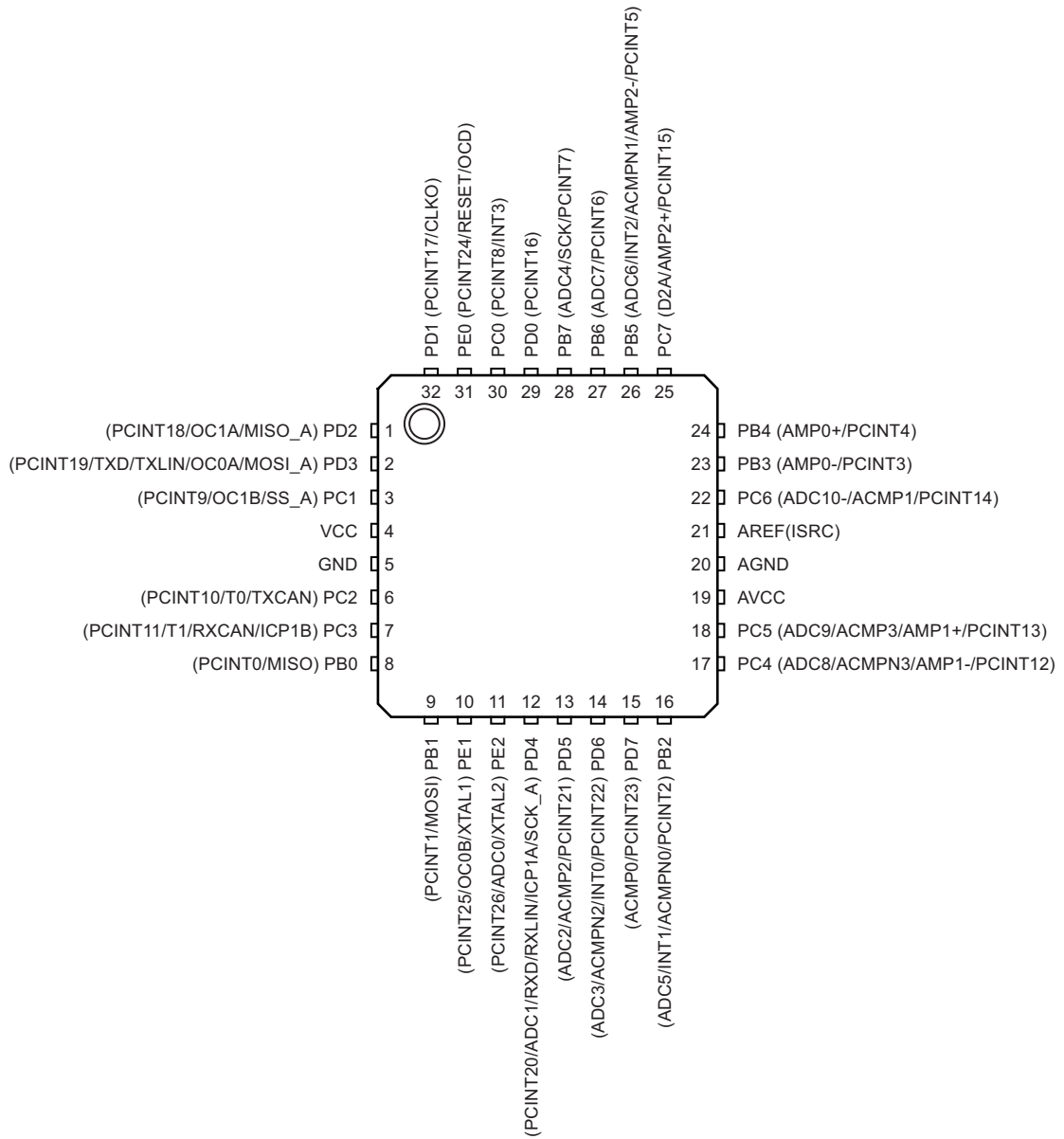
1. Pin Configurations

Figure 1-1. ATmega16/32/64M1 TQFP32/QFN32 (7*7mm) Package



Note: On the engineering samples (Parts marked AT90PWM324), the ACMPN3 alternate function is not located on PC4. It is located on PE2.

Figure 1-2. ATmega32/64C1 TQFP32/QFN32 (7*7 mm) Package



Note: On the first engineering samples (Parts marked AT90PWM324), the ACMPN3 alternate function is not located on PC4. It is located on PE2.

1.1 Pin Descriptions

Table 1-1. Pin Out Description

QFN32 Pin Number	Mnemonic	Type	Name, Function and Alternate Function
5	GND	Power	Ground: 0V reference
20	AGND	Power	Analog Ground: 0V reference for analog part
4	VCC	Power	Power Supply
19	AVCC	Power	Analog Power Supply: This is the power supply voltage for analog part For a normal use this pin must be connected.
21	AREF	Power	Analog Reference: reference for analog converter. This is the reference voltage of the A/D converter. As output, can be used by external analog ISRC (Current Source Output)
8	PB0	I/O	MISO (SPI Master In Slave Out) PSCOUT2A (PSC Module 2 Output A) PCINT0 (Pin Change Interrupt 0)
9	PB1	I/O	MOSI (SPI Master Out Slave In) PSCOUT2B (PSC Module 2 Output B) PCINT1 (Pin Change Interrupt 1)
16	PB2	I/O	ADC5 (Analog Input Channel 5) INT1 (External Interrupt 1 Input) ACMPN0 (analog comparator 0 Negative Input) PCINT2 (Pin Change Interrupt 2)
23	PB3	I/O	AMP0- (Analog Differential Amplifier 0 Negative Input) PCINT3 (Pin Change Interrupt 3)
24	PB4	I/O	AMP0+ (Analog Differential Amplifier 0 Positive Input) PCINT4 (Pin Change Interrupt 4)
26	PB5	I/O	ADC6 (Analog Input Channel 6) INT2 (External Interrupt 2 Input) ACMPN1 (analog comparator 1 Negative Input) AMP2- (Analog Differential Amplifier 2 Negative Input) PCINT5 (Pin Change Interrupt 5)
27	PB6	I/O	ADC7 (Analog Input Channel 7) PSCOUT1B (PSC Module 1 Output A) PCINT6 (Pin Change Interrupt 6)
28	PB7	I/O	ADC4 (Analog Input Channel 4) PSCOUT0B (PSC Module 0 Output B) SCK (SPI Clock) PCINT7 (Pin Change Interrupt 7)
30	PC0	I/O	PSCOUT1A (PSC Module 1 Output A) INT3 (External Interrupt 3 Input) PCINT8 (Pin Change Interrupt 8)

Note: 1. On the first engineering samples (Parts marked AT90PWM324), the ACMPN3 alternate function is not located on PC4. It is located on PE2.

Table 1-1. Pin Out Description (Continued)

QFN32 Pin Number	Mnemonic	Type	Name, Function and Alternate Function
3	PC1	I/O	PSCIN1 (PSC Digital Input 1) OC1B (Timer 1 Output Compare B) SS_A (Alternate SPI Slave Select) PCINT9 (Pin Change Interrupt 9)
6	PC2	I/O	T0 (Timer 0 clock input) TXCAN (CAN Transmit Output) PCINT10 (Pin Change Interrupt 10)
7	PC3	I/O	T1 (Timer 1 clock input) RXCAN (CAN Receive Input) ICP1B (Timer 1 input capture alternate B input) PCINT11 (Pin Change Interrupt 11)
17	PC4	I/O	ADC8 (Analog Input Channel 8) AMP1- (Analog Differential Amplifier 1 Negative Input) ACMPN3 (analog comparator 3 Negative Input) PCINT12 (Pin Change Interrupt 12)
18	PC5	I/O	ADC9 (Analog Input Channel 9) AMP1+ (Analog Differential Amplifier 1 Positive Input) ACMP3 (analog comparator 3 Positive Input) PCINT13 (Pin Change Interrupt 13)
22	PC6	I/O	ADC10 (Analog Input Channel 10) ACMP1 (analog comparator 1 Positive Input) PCINT14 (Pin Change Interrupt 14)
25	PC7	I/O	D2A (DAC output) AMP2+ (Analog Differential Amplifier 2 Positive Input) PCINT15 (Pin Change Interrupt 15)
29	PD0	I/O	PSCOUT0A (PSC Module 0 Output A) PCINT16 (Pin Change Interrupt 16)
32	PD1	I/O	PSCIN0 (PSC Digital Input 0) CLKO (System Clock Output) PCINT17 (Pin Change Interrupt 17)
1	PD2	I/O	OC1A (Timer 1 Output Compare A) PSCIN2 (PSC Digital Input 2) MISO_A (Programming and alternate SPI Master In Slave Out) PCINT18 (Pin Change Interrupt 18)
2	PD3	I/O	TXD (UART Tx data) TXLIN (LIN Transmit Output) OC0A (Timer 0 Output Compare A) SS (SPI Slave Select) MOSI_A (Programming and alternate Master Out SPI Slave In) PCINT19 (Pin Change Interrupt 19)

Note: 1. On the first engineering samples (Parts marked AT90PWM324), the ACMPN3 alternate function is not located on PC4. It is located on PE2.

Table 1-1. Pin Out Description (Continued)

QFN32 Pin Number	Mnemonic	Type	Name, Function and Alternate Function
12	PD4	I/O	ADC1 (Analog Input Channel 1) RXD (UART Rx data) RXLIN (LIN Receive Input) ICP1A (Timer 1 input capture alternate A input) SCK_A (Programming and alternate SPI Clock) PCINT20 (Pin Change Interrupt 20)
13	PD5	I/O	ADC2 (Analog Input Channel 2) ACMP2 (analog comparator 2 Positive Input) PCINT21 (Pin Change Interrupt 21)
14	PD6	I/O	ADC3 (Analog Input Channel 3) ACMPN2 (analog comparator 2 Negative Input) INT0 (External Interrupt 0 Input) PCINT22 (Pin Change Interrupt 22)
15	PD7	I/O	ACMP0 (analog comparator 0 Positive Input) PCINT23 (Pin Change Interrupt 23)
31	PE0	I/O or I	RESET (Reset Input) OCD (On Chip Debug I/O) PCINT24 (Pin Change Interrupt 24)
10	PE1	I/O	XTAL1 (XTAL Input) OC0B (Timer 0 Output Compare B) PCINT25 (Pin Change Interrupt 25)
11	PE2	I/O	XTAL2 (XTAL Output) ADC0 (Analog Input Channel 0) PCINT26 (Pin Change Interrupt 26)

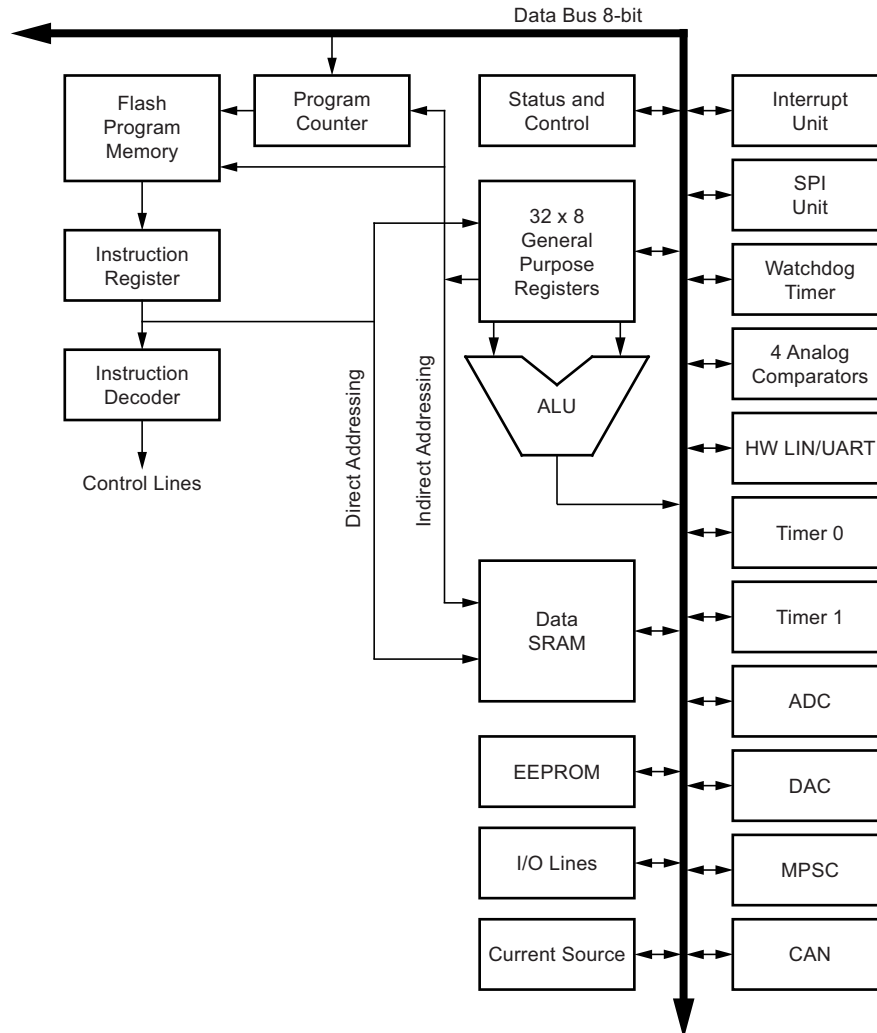
Note: 1. On the first engineering samples (Parts marked AT90PWM324), the ACMPN3 alternate function is not located on PC4. It is located on PE2.

2. Overview

The Atmel® ATmega16/32/64/M1/C1 is a low-power CMOS 8-bit microcontroller based on the AVR® enhanced RISC architecture. By executing powerful instructions in a single clock cycle, the Atmel ATmega16/32/64/M1/C1 achieves throughputs approaching 1MIPS per MHz allowing the system designer to optimize power consumption versus processing speed.

2.1 Block Diagram

Figure 2-1. Block Diagram



The AVR core combines a rich instruction set with 32 general purpose working registers. All the 32 registers are directly connected to the Arithmetic Logic Unit (ALU), allowing two independent registers to be accessed in one single instruction executed in one clock cycle. The resulting architecture is more code efficient while achieving throughputs up to ten times faster than conventional CISC microcontrollers.

The Atmel ATmega16/32/64/M1/C1 provides the following features: 16K/32K/64K bytes of In-System Programmable Flash with Read-while-write capabilities, 512/1024/2048 bytes EEPROM, 1024/2048/4096 bytes SRAM, 27 general purpose I/O lines, 32 general purpose working registers, one Motor Power Stage Controller, two flexible Timer/Counters with compare modes and PWM, one UART with HW LIN, an 11-channel 10-bit ADC with two differential input stages with programmable gain, a 10-bit DAC, a programmable Watchdog Timer with Internal Individual Oscillator, an SPI serial port, an On-chip Debug system and four software selectable power saving modes.

The Idle mode stops the CPU while allowing the SRAM, Timer/Counters, SPI ports, CAN, LIN/UART and interrupt system to continue functioning. The Power-down mode saves the register contents but freezes the Oscillator, disabling all other chip functions until the next interrupt or Hardware Reset. The ADC noise reduction mode stops the CPU and all I/O modules except ADC, to minimize switching noise during ADC conversions. In Standby mode, the Crystal/Resonator Oscillator is running while the rest of the device is sleeping. This allows very fast start-up combined with low power consumption.

The device is manufactured using Atmel's high-density nonvolatile memory technology. The On-chip ISP Flash allows the program memory to be reprogrammed in-system through an SPI serial interface, by a conventional nonvolatile memory programmer, or by an On-chip Boot program running on the AVR core. The boot program can use any interface to download the application program in the application Flash memory. Software in the boot flash section will continue to run while the application flash section is updated, providing true read-while-write operation. By combining an 8-bit RISC CPU with in-system self-programmable flash on a monolithic chip, the Atmel ATmega16/32/64/M1/C1 is a powerful microcontroller that provides a highly flexible and cost effective solution to many embedded control applications.

The ATmega16/32/64/M1/C1 AVR is supported with a full suite of program and system development tools including: C compilers, macro assemblers, program debugger/simulators, in-circuit emulators, and evaluation kits.

2.2 Automotive Quality Grade

The Atmel® ATmega16/32/64/M1/C1 have been developed and manufactured according to the most stringent requirements of the international standard ISO-TS-16949. This data sheet contains limit values extracted from the results of extensive characterization (Temperature and Voltage). The quality and reliability of the ATmega16/32/64/M1/C1 have been verified during regular product qualification as per AEC-Q100 grade 1.

As indicated in the ordering information paragraph, the products are available in only one temperature grade.

Table 2-1. Temperature Grade Identification for Automotive Products

Temperature	Temperature Identifier	Comments
-40, +125	Z	Full automotive temperature range

2.3 Pin Descriptions

2.3.1 VCC

Digital supply voltage.

2.3.2 GND

Ground.

2.3.3 Port B (PB7..PB0)

Port B is an 8-bit bi-directional I/O port with internal pull-up resistors (selected for each bit). The Port B output buffers have symmetrical drive characteristics with both high sink and source capability. As inputs, Port B pins that are externally pulled low will source current if the pull-up resistors are activated. The Port B pins are tri-stated when a reset condition becomes active, even if the clock is not running.

Port B also serves the functions of various special features of the Atmel ATmega16/32/64/M1/C1 as listed in [Section 9.3.2 "Alternate Functions of Port B" on page 58](#).

2.3.4 Port C (PC7..PC0)

Port C is an 8-bit bi-directional I/O port with internal pull-up resistors (selected for each bit). The Port C output buffers have symmetrical drive characteristics with both high sink and source capability. As inputs, Port C pins that are externally pulled low will source current if the pull-up resistors are activated. The Port C pins are tri-stated when a reset condition becomes active, even if the clock is not running.

Port C also serves the functions of special features of the ATmega16/32/64/M1/C1 as listed in [Section 9.3.3 "Alternate Functions of Port C" on page 61](#).

2.3.5 Port D (PD7..PD0)

Port D is an 8-bit bi-directional I/O port with internal pull-up resistors (selected for each bit). The port D output buffers have symmetrical drive characteristics with both high sink and source capability. As inputs, port D pins that are externally pulled low will source current if the pull-up resistors are activated. The port D pins are tri-stated when a reset condition becomes active, even if the clock is not running.

Port D also serves the functions of various special features of the Atmel® ATmega16/32/64/M1/C1 as listed on [64](#).

2.3.6 Port E (PE2..0) $\overline{\text{RESET}}$ / XTAL1/ XTAL2

Port E is a 3-bit bi-directional I/O port with internal pull-up resistors (selected for each bit). The port E output buffers have symmetrical drive characteristics with both high sink and source capability. As inputs, port E pins that are externally pulled low will source current if the pull-up resistors are activated. The Port E pins are tri-stated when a reset condition becomes active, even if the clock is not running.

If the RSTDISBL fuse is programmed, PE0 is used as an I/O pin. Note that the electrical characteristics of PE0 differ from those of the other pins of Port E.

If the RSTDISBL fuse is unprogrammed, PE0 is used as a Reset input. A low level on this pin for longer than the minimum pulse length will generate a Reset, even if the clock is not running. The minimum pulse length is given in [Table 7-1 on page 39](#). Shorter pulses are not guaranteed to generate a reset.

Depending on the clock selection fuse settings, PE1 can be used as input to the inverting oscillator amplifier and input to the internal clock operating circuit.

Depending on the clock selection fuse settings, PE2 can be used as output from the inverting oscillator amplifier.

The various special features of Port E are elaborated in [Section 9.3.5 “Alternate Functions of Port E” on page 67](#) and [Section 5.1 “Clock Systems and their Distribution” on page 25](#).

2.3.7 AVCC

AVCC is the supply voltage pin for the A/D converter, D/A converter, current source. It should be externally connected to V_{CC} , even if the ADC, DAC are not used. If the ADC is used, it should be connected to V_{CC} through a low-pass filter (see [Section 18.6.2 “Analog Noise Canceling Techniques” on page 204](#)).

2.3.8 AREF

This is the analog reference pin for the A/D converter.

2.4 About Code Examples

This documentation contains simple code examples that briefly show how to use various parts of the device. These code examples assume that the part specific header file is included before compilation. Be aware that not all C compiler vendors include bit definitions in the header files and interrupt handling in C is compiler dependent. Please confirm with the C compiler documentation for more details.

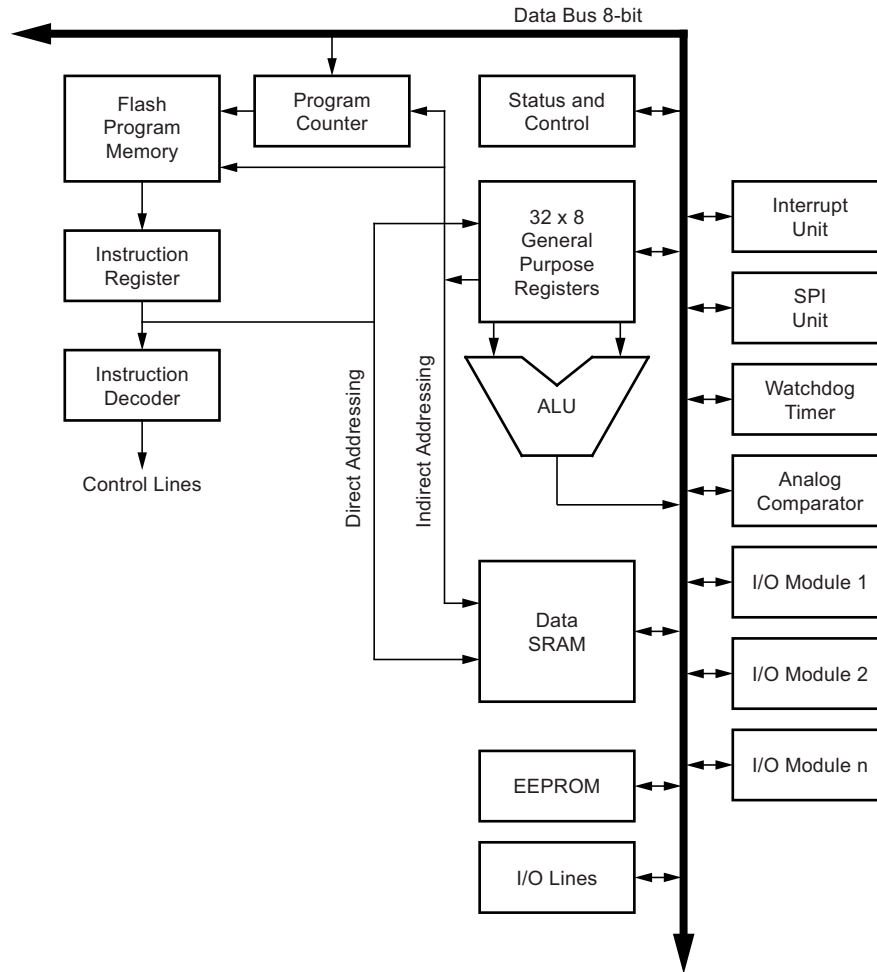
3. AVR CPU Core

3.1 Introduction

This section discusses the AVR® core architecture in general. The main function of the CPU core is to ensure correct program execution. The CPU must therefore be able to access memories, perform calculations, control peripherals, and handle interrupts.

3.2 Architectural Overview

Figure 3-1. Block Diagram of the AVR Architecture



In order to maximize performance and parallelism, the AVR uses a Harvard architecture – with separate memories and buses for program and data. Instructions in the program memory are executed with a single level pipelining. While one instruction is being executed, the next instruction is pre-fetched from the program memory. This concept enables instructions to be executed in every clock cycle. The program memory is in-system reprogrammable Flash memory.

The fast-access register file contains 32 x 8-bit general purpose working registers with a single clock cycle access time. This allows single-cycle arithmetic logic unit (ALU) operation. In a typical ALU operation, two operands are output from the register file, the operation is executed, and the result is stored back in the register file – in one clock cycle.

Six of the 32 registers can be used as three 16-bit indirect address register pointers for data space addressing – enabling efficient address calculations. One of these address pointers can also be used as an address pointer for look up tables in Flash program memory. These added function registers are the 16-bit X-, Y-, and Z-register, described later in this section.

The ALU supports arithmetic and logic operations between registers or between a constant and a register. Single register operations can also be executed in the ALU. After an arithmetic operation, the Status Register is updated to reflect information about the result of the operation.

Program flow is provided by conditional and unconditional jump and call instructions, able to directly address the whole address space. Most AVR instructions have a single 16-bit word format. Every program memory address contains a 16- or 32-bit instruction.

Program flash memory space is divided in two sections, the boot program section and the application program section. Both sections have dedicated Lock bits for write and read/write protection. The SPM (store program memory) instruction that writes into the application flash memory section must reside in the boot program section.

during interrupts and subroutine calls, the return address program counter (PC) is stored on the stack. The stack is effectively allocated in the general data SRAM, and consequently the stack size is only limited by the total SRAM size and the usage of the SRAM. All user programs must initialize the SP in the reset routine (before subroutines or interrupts are executed). The stack pointer (SP) is read/write accessible in the I/O space. The data SRAM can easily be accessed through the five different addressing modes supported in the AVR architecture.

The memory spaces in the AVR® architecture are all linear and regular memory maps.

A flexible interrupt module has its control registers in the I/O space with an additional global interrupt enable bit in the status register. All interrupts have a separate interrupt vector in the interrupt vector table. The interrupts have priority in accordance with their interrupt vector position. The lower the interrupt vector address, the higher is the priority.

The I/O memory space contains 64 addresses for CPU peripheral functions as control registers, SPI, and other I/O functions. The I/O memory can be accessed directly, or as the data space locations following those of the register file, 0x20 - 0x5F. In addition, the Atmel ATmega16/32/64/M1/C1 has extended I/O space from 0x60 - 0xFF in SRAM where only the ST/STS/STD and LD/LDS/LDD instructions can be used.

3.3 ALU – Arithmetic Logic Unit

The high-performance AVR ALU operates in direct connection with all the 32 general purpose working registers. Within a single clock cycle, arithmetic operations between general purpose registers or between a register and an immediate are executed. The ALU operations are divided into three main categories – arithmetic, logical, and bit-functions. Some implementations of the architecture also provide a powerful multiplier supporting both signed/unsigned multiplication and fractional format. See the “Instruction Set” section for a detailed description.

3.4 Status Register

The status register contains information about the result of the most recently executed arithmetic instruction. This information can be used for altering program flow in order to perform conditional operations. Note that the status register is updated after all ALU operations, as specified in the Instruction Set Reference. This will in many cases remove the need for using the dedicated compare instructions, resulting in faster and more compact code.

The status register is not automatically stored when entering an interrupt routine and restored when returning from an interrupt. This must be handled by software.

The AVR Status Register – SREG – is defined as:

Bit	7	6	5	4	3	2	1	0	
	I	T	H	S	V	N	Z	C	SREG
Read/Write	R/W	R/W	R/W	R/W	R/W	R/W	R/W	R/W	
Initial Value	0	0	0	0	0	0	0	0	

- **Bit 7 – I: Global Interrupt Enable**

The global interrupt enable bit must be set to enable the interrupts. The individual interrupt enable control is then performed in separate control registers. If the global interrupt enable register is cleared, none of the interrupts are enabled independent of the individual interrupt enable settings. The I-bit is cleared by hardware after an interrupt has occurred, and is set by the RETI instruction to enable subsequent interrupts. The I-bit can also be set and cleared by the application with the SEI and CLI instructions, as described in the instruction set reference.

- **Bit 6 – T: Bit Copy Storage**

The bit copy instructions BLD (Bit Load) and BST (Bit Store) use the T-bit as source or destination for the operated bit. A bit from a register in the register file can be copied into T by the BST instruction, and a bit in T can be copied into a bit in a register in the register file by the BLD instruction.

- **Bit 5 – H: Half Carry Flag**

The half carry flag H indicates a half carry in some arithmetic operations. Half carry is useful in BCD arithmetic. See the “Instruction Set Description” for detailed information.

- **Bit 4 – S: Sign Bit, $S = N \oplus V$**

The S-bit is always an exclusive or between the negative flag N and the two’s complement overflow flag V. See the “Instruction Set Description” for detailed information.

- **Bit 3 – V: Two’s Complement Overflow Flag**

The two’s complement overflow flag V supports two’s complement arithmetics. See the “Instruction Set Description” for detailed information.

- **Bit 2 – N: Negative Flag**

The negative flag N indicates a negative result in an arithmetic or logic operation. See the “Instruction Set Description” for detailed information.

- **Bit 1 – Z: Zero Flag**

The zero flag Z indicates a zero result in an arithmetic or logic operation. See the “Instruction Set Description” for detailed information.

- **Bit 0 – C: Carry Flag**

The carry flag C indicates a carry in an arithmetic or logic operation. See the “Instruction Set Description” for detailed information.

3.5 General Purpose Register File

The register file is optimized for the AVR enhanced RISC instruction set. In order to achieve the required performance and flexibility, the following input/output schemes are supported by the register file:

- One 8-bit output operand and one 8-bit result input
- Two 8-bit output operands and one 8-bit result input
- Two 8-bit output operands and one 16-bit result input
- One 16-bit output operand and one 16-bit result input

Figure 3-2 shows the structure of the 32 general purpose working registers in the CPU.

Figure 3-2. AVR CPU General Purpose Working Registers

	7	0	Addr.	
General Purpose Working Registers	R0		0x00	
	R1		0x01	
	R2		0x02	
	...			
	R13		0x0D	
	R14		0x0E	
	R15		0x0F	
	R16		0x10	
	R17		0x11	
	...			
	R26		0x1A	X-register Low Byte
	R27		0x1B	X-register High Byte
	R28		0x1C	Y-register Low Byte
	R29		0x1D	Y-register High Byte
	R30		0x1E	Z-register Low Byte
	R31		0x1F	Z-register High Byte

Most of the instructions operating on the register file have direct access to all registers, and most of them are single cycle instructions.

As shown in Figure 3-2, each register is also assigned a data memory address, mapping them directly into the first 32 locations of the user data space. Although not being physically implemented as SRAM locations, this memory organization provides great flexibility in access of the registers, as the X-, Y- and Z-pointer registers can be set to index any register in the file.

3.5.1 The X-register, Y-register, and Z-register

The registers R26..R31 have some added functions to their general purpose usage. These registers are 16-bit address pointers for indirect addressing of the data space. The three indirect address registers X, Y, and Z are defined as described in Figure 3-3.

Figure 3-3. The X-, Y-, and Z-registers



In the different addressing modes these address registers have functions as fixed displacement, automatic increment, and automatic decrement (see the instruction set reference for details).

3.6 Stack Pointer

The stack is mainly used for storing temporary data, for storing local variables and for storing return addresses after interrupts and subroutine calls. The stack pointer register always points to the top of the stack. Note that the stack is implemented as growing from higher memory locations to lower memory locations. This implies that a Stack PUSH command decreases the stack pointer.

The stack pointer points to the data SRAM stack area where the subroutine and interrupt stacks are located. This stack space in the data SRAM must be defined by the program before any subroutine calls are executed or interrupts are enabled. The stack pointer must be set to point above 0x100. The stack pointer is decremented by one when data is pushed onto the stack with the PUSH instruction, and it is decremented by two when the return address is pushed onto the stack with subroutine call or interrupt. The stack pointer is incremented by one when data is popped from the stack with the POP instruction, and it is incremented by two when data is popped from the stack with return from subroutine RET or return from interrupt RETI.

The AVR® stack pointer is implemented as two 8-bit registers in the I/O space. The number of bits actually used is implementation dependent. Note that the data space in some implementations of the AVR architecture is so small that only SPL is needed. In this case, the SPH Register will not be present.

Bit	15	14	13	12	11	10	9	8	
	SP15	SP14	SP13	SP12	SP11	SP10	SP9	SP8	SPH
	SP7	SP6	SP5	SP4	SP3	SP2	SP1	SP0	SPL
	7	6	5	4	3	2	1	0	
Read/Write	R/W	R/W	R/W	R/W	R/W	R/W	R/W	R/W	
	R/W	R/W	R/W	R/W	R/W	R/W	R/W	R/W	
Initial Value	Top address of the SRAM (0x04FF/0x08FF/0x10FF)								

3.7 Instruction Execution Timing

This section describes the general access timing concepts for instruction execution. The AVR CPU is driven by the CPU clock clk_{CPU} , directly generated from the selected clock source for the chip. No internal clock division is used.

Figure 3-4 shows the parallel instruction fetches and instruction executions enabled by the Harvard architecture and the fast-access Register File concept. This is the basic pipelining concept to obtain up to 1 MIPS per MHz with the corresponding unique results for functions per cost, functions per clocks, and functions per power-unit.

Figure 3-4. The Parallel Instruction Fetches and Instruction Executions

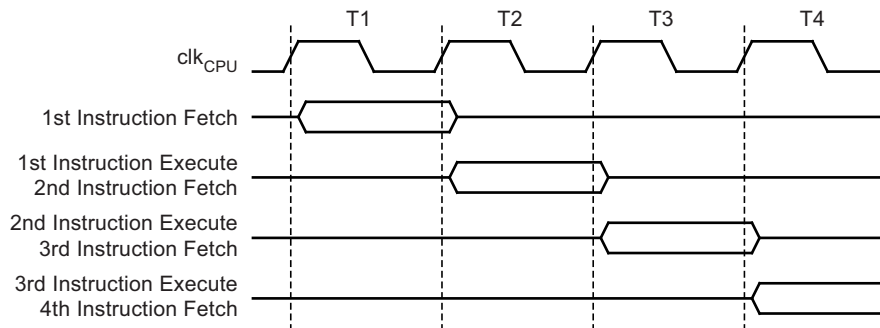
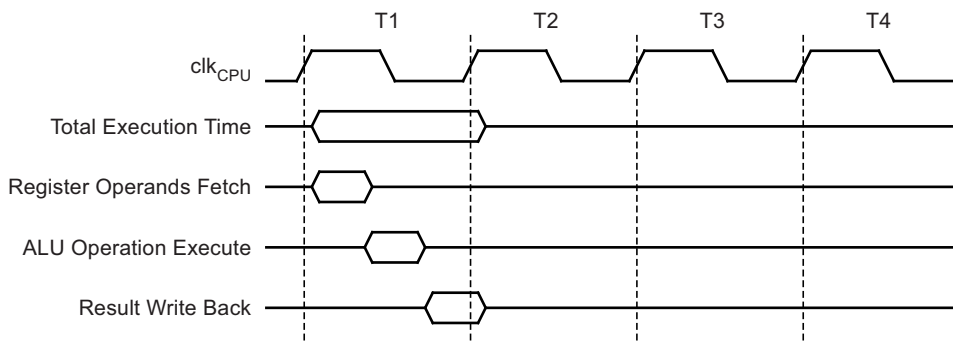


Figure 3-5 shows the internal timing concept for the Register File. In a single clock cycle an ALU operation using two register operands is executed, and the result is stored back to the destination register.

Figure 3-5. Single Cycle ALU Operation



3.8 Reset and Interrupt Handling

The AVR[®] provides several different interrupt sources. These interrupts and the separate reset vector each have a separate program vector in the program memory space. All interrupts are assigned individual enable bits which must be written logic one together with the global interrupt enable bit in the status register in order to enable the interrupt. Depending on the program counter value, interrupts may be automatically disabled when boot lock bits BLB02 or BLB12 are programmed. This feature improves software security. See [Section 25. “Memory Programming” on page 255](#) for details.

The lowest addresses in the program memory space are by default defined as the reset and interrupt vectors. The complete list of vectors is shown in [Section 8. “Interrupts” on page 47](#). The list also determines the priority levels of the different interrupts. The lower the address the higher is the priority level. RESET has the highest priority, and next is ANACOMP0 – the analog comparator 0 interrupt. The interrupt vectors can be moved to the start of the boot flash section by setting the IVSEL bit in the MCU control register (MCUCR). Refer to [Section 8. “Interrupts” on page 47](#) for more information. The reset vector can also be moved to the start of the boot flash section by programming the BOOTRST fuse, see [Section 24. “Boot Loader Support – Read-while-write Self-Programming ATmega16/32/64/M1/C1” on page 241](#).

3.8.1 Interrupt Behavior

When an interrupt occurs, the global interrupt enable I-bit is cleared and all interrupts are disabled. The user software can write logic one to the I-bit to enable nested interrupts. All enabled interrupts can then interrupt the current interrupt routine. The I-bit is automatically set when a return from interrupt instruction – RETI – is executed.

There are basically two types of interrupts. The first type is triggered by an event that sets the interrupt flag. For these interrupts, the program counter is vectored to the actual interrupt vector in order to execute the interrupt handling routine, and hardware clears the corresponding interrupt flag. Interrupt flags can also be cleared by writing a logic one to the flag bit position(s) to be cleared. If an interrupt condition occurs while the corresponding interrupt enable bit is cleared, the interrupt flag will be set and remembered until the interrupt is enabled, or the flag is cleared by software. Similarly, if one or more interrupt conditions occur while the global interrupt enable bit is cleared, the corresponding interrupt flag(s) will be set and remembered until the global interrupt enable bit is set, and will then be executed by order of priority.

The second type of interrupts will trigger as long as the interrupt condition is present. These interrupts do not necessarily have interrupt flags. If the interrupt condition disappears before the interrupt is enabled, the interrupt will not be triggered.

When the AVR exits from an interrupt, it will always return to the main program and execute one more instruction before any pending interrupt is served.

Note that the status register is not automatically stored when entering an interrupt routine, nor restored when returning from an interrupt routine. This must be handled by software.

When using the CLI instruction to disable interrupts, the interrupts will be immediately disabled. No interrupt will be executed after the CLI instruction, even if it occurs simultaneously with the CLI instruction. The following example shows how this can be used to avoid interrupts during the timed EEPROM write sequence.

Assembly Code Example		
in	r16, SREG	; store SREG value
cli		; disable interrupts during timed sequence
sbi	EECR, EEMWE	; start EEPROM write
sbi	EECR, EEWE	
out	SREG, r16	; restore SREG value (I-bit)
C Code Example		
<pre> char cSREG; cSREG = SREG; /* store SREG value */ /* disable interrupts during timed sequence */ _CLI(); EECR = (1<<EEMWE); /* start EEPROM write */ EECR = (1<<EEWE); SREG = cSREG; /* restore SREG value (I-bit) */ </pre>		

When using the SEI instruction to enable interrupts, the instruction following SEI will be executed before any pending interrupts, as shown in this example.

Assembly Code Example	
sei	; set Global Interrupt Enable
sleep	; enter sleep, waiting for interrupt
	; note: will enter sleep before any pending
	; interrupt(s)
C Code Example	
<pre> _SEI(); /* set Global Interrupt Enable */ _SLEEP(); /* enter sleep, waiting for interrupt */ /* note: will enter sleep before any pending interrupt(s) */ </pre>	

3.8.2 Interrupt Response Time

The interrupt execution response for all the enabled AVR® interrupts is four clock cycles minimum. After four clock cycles the program vector address for the actual interrupt handling routine is executed. During this four clock cycle period, the program counter is pushed onto the stack. The vector is normally a jump to the interrupt routine, and this jump takes three clock cycles. If an interrupt occurs during execution of a multi-cycle instruction, this instruction is completed before the interrupt is served. If an interrupt occurs when the MCU is in sleep mode, the interrupt execution response time is increased by four clock cycles. This increase comes in addition to the start-up time from the selected sleep mode.

A return from an interrupt handling routine takes four clock cycles. During these four clock cycles, the program counter (two bytes) is popped back from the stack, the stack pointer is incremented by two, and the I-bit in SREG is set.

4. Memories

This section describes the different memories in the Atmel® ATmega16/32/64/M1/C1. The AVR architecture has two main memory spaces, the data memory and the program memory space. In addition, the Atmel ATmega16/32/64/M1/C1 features an EEPROM Memory for data storage. All three memory spaces are linear and regular.

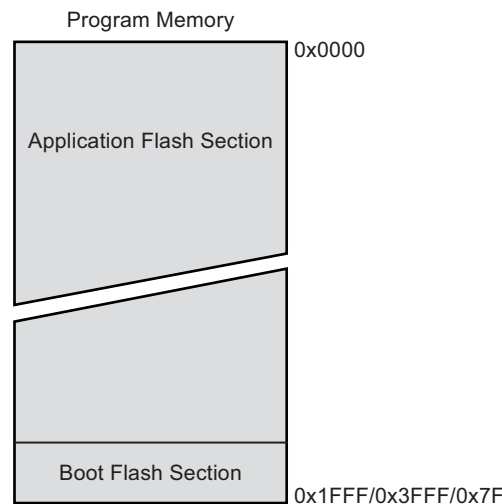
4.1 In-system Reprogrammable Flash Program Memory

The Atmel ATmega16/32/64/M1/C1 contains 16K/32K/64K bytes on-chip in-system reprogrammable flash memory for program storage. Since all AVR® instructions are 16 or 32 bits wide, the Flash is organized as 8K x 16, 16K x 16, 32K x 16. For software security, the flash program memory space is divided into two sections, boot program section and application program section.

The flash memory has an endurance of at least 10,000 write/erase cycles. The Atmel ATmega16/32/64/M1/C1 program counter (PC) is 14/15 bits wide, thus addressing the 8K/16K/32K program memory locations. The operation of boot program section and associated boot lock bits for software protection are described in detail in [Section 24. “Boot Loader Support – Read-while-write Self-Programming ATmega16/32/64/M1/C1” on page 241](#). [Section 25. “Memory Programming” on page 255](#) contains a detailed description on flash programming in SPI or parallel programming mode.

Constant tables can be allocated within the entire program memory address space (see the LPM – Load Program Memory). Timing diagrams for instruction fetch and execution are presented in [Section 3.7 “Instruction Execution Timing” on page 15](#).

Figure 4-1. Program Memory Map



4.2 SRAM Data Memory

[Figure 4-2](#) shows how the Atmel ATmega16/32/64/M1/C1 SRAM memory is organized.

The Atmel ATmega16/32/64/M1/C1 is a complex microcontroller with more peripheral units than can be supported within the 64 locations reserved in the Opcode for the IN and OUT instructions. For the extended I/O space from 0x60 - 0xFF in SRAM, only the ST/STS/STD and LD/LDS/LDD instructions can be used.

The lower 2304 data memory locations address both the register File, the I/O memory, extended I/O memory, and the internal data SRAM. The first 32 locations address the register file, the next 64 location the standard I/O memory, then 160 locations of extended I/O memory, and the next 1024/2048/4096 locations address the internal data SRAM.

The five different addressing modes for the data memory cover: Direct, Indirect with Displacement, Indirect, Indirect with Pre-decrement, and Indirect with Post-increment. In the register File, registers R26 to R31 feature the indirect addressing pointer registers.

The direct addressing reaches the entire data space.

The Indirect with Displacement mode reaches 63 address locations from the base address given by the Y- or Z-register.

When using register indirect addressing modes with automatic pre-decrement and post-increment, the address registers X, Y, and Z are decremented or incremented.

The 32 general purpose working registers, 64 I/O registers, 160 extended I/O registers, and the 1024/2048/4096 bytes of internal data SRAM in the Atmel® ATmega16/32/64/M1/C1 are all accessible through all these addressing modes. The register file is described in [Section 3.5 “General Purpose Register File” on page 13](#).

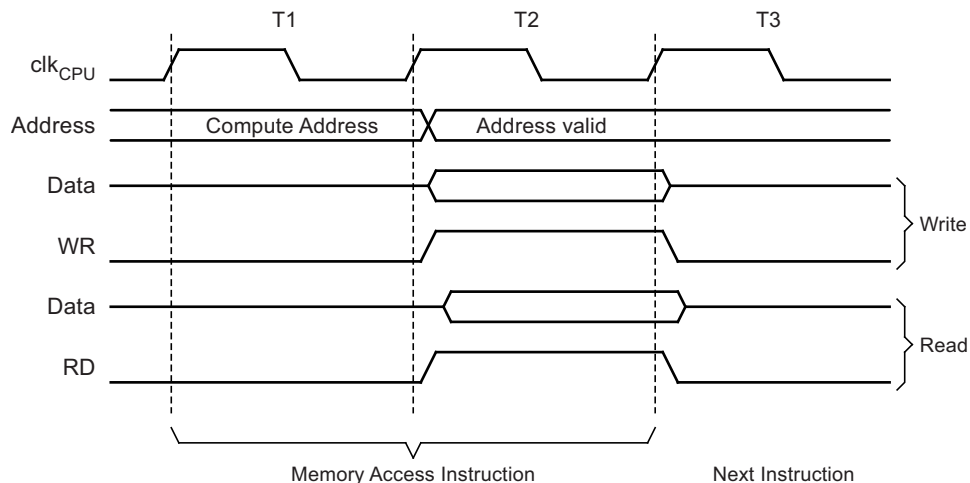
Figure 4-2. Data Memory Map for 1024/2048/4096 Internal SRAM

Data Memory	
32 Registers	0x0000 - 0x001F
64 I/O Registers	0x0020 - 0x005F
160 Ext I/O Registers	0x0060 - 0x00FF
Internal SRAM (1024x8) (2048x8) (4096x8)	0x0100 0x04FF/0x08FF/0x10FF

4.2.1 SRAM Data Access Times

This section describes the general access timing concepts for internal memory access. The internal data SRAM access is performed in two clk_{CPU} cycles as described in [Figure 4-3 on page 19](#).

Figure 4-3. On-chip Data SRAM Access Cycles



4.3 EEPROM Data Memory

The Atmel® ATmega16/32/64/M1/C1 contains 512/1024/2048 bytes of data EEPROM memory. It is organized as a separate data space, in which single bytes can be read and written. The EEPROM has an endurance of at least 100,000 write/erase cycles. The access between the EEPROM and the CPU is described in the following, specifying the EEPROM Address Registers, the EEPROM Data Register, and the EEPROM Control Register.

For a detailed description of SPI and Parallel data downloading to the EEPROM, see [Section 25.9 “Serial Downloading” on page 270](#), and [Section 25.6 “Parallel Programming Parameters, Pin Mapping, and Commands” on page 259](#) respectively.

4.3.1 EEPROM Read/Write Access

The EEPROM Access Registers are accessible in the I/O space.

The write access time for the EEPROM is given in [Table 4-2](#). A self-timing function, however, lets the user software detect when the next byte can be written. If the user code contains instructions that write the EEPROM, some precautions must be taken. In heavily filtered power supplies, V_{CC} is likely to rise or fall slowly on power-up/down. This causes the device for some period of time to run at a voltage lower than specified as minimum for the clock frequency used. [Section 4.3.5 “Preventing EEPROM Corruption” on page 23](#) for details on how to avoid problems in these situations.

In order to prevent unintentional EEPROM writes, a specific write procedure must be followed. Refer to the description of the EEPROM Control Register for details on this.

When the EEPROM is read, the CPU is halted for four clock cycles before the next instruction is executed. When the EEPROM is written, the CPU is halted for two clock cycles before the next instruction is executed.

4.3.2 The EEPROM Address Registers – EEARH and EEARL

Bit	15	14	13	12	11	10	9	8	
	–	–	–	–	–	EEAR10	EEAR9	EEAR8	EEARH
	EEAR7	EEAR6	EEAR5	EEAR4	EEAR3	EEAR2	EEAR1	EEAR0	EEARL
Read/Write	R	R	R	R	R	R/W	R/W	R/W	
Initial Value	0	0	0	0	0	X	X	X	
	X	X	X	X	X	X	X	X	

- **Bits 15.11 – Reserved Bits**

These bits are reserved bits in the ATmega16/32/64/M1/C1 and will always read as zero.

- **Bits 9..0 – EEAR10..0: EEPROM Address**

The EEPROM address registers – EEARH and EEARL specify the EEPROM address in the 512/1024/2048 bytes EEPROM space. The EEPROM data bytes are addressed linearly between 0 and 511/1023/2047. The initial value of EEAR is undefined. A proper value must be written before the EEPROM may be accessed.

4.3.3 The EEPROM Data Register – EEDR

Bit	7	6	5	4	3	2	1	0	
	EEDR7	EEDR6	EEDR5	EEDR4	EEDR3	EEDR2	EEDR1	EEDR0	EEDR
Read/Write	R/W	R/W	R/W	R/W	R/W	R/W	R/W	R/W	
Initial Value	0	0	0	0	0	0	0	0	

- **Bits 7..0 – EEDR7.0: EEPROM Data**

For the EEPROM write operation, the EEDR register contains the data to be written to the EEPROM in the address given by the EEAR register. For the EEPROM read operation, the EEDR contains the data read out from the EEPROM at the address given by EEAR.

4.3.4 The EEPROM Control Register – EECR

Bit	7	6	5	4	3	2	1	0	
	–	–	EEPМ1	EEPМ0	EERIE	EEMWE	EEWE	EERE	EECR
Read/Write	R	R	R/W	R/W	R/W	R/W	R/W	R/W	
Initial Value	0	0	X	X	0	0	X	0	

- **Bits 7..6 – Reserved Bits**

These bits are reserved bits in the ATmega16/32/64/M1/C1 and will always read as zero.

- **Bits 5..4 – EEPМ1 and EEPМ0: EEPROM Programming Mode Bits**

The EEPROM Programming mode bit setting defines which programming action that will be triggered when writing EEWE. It is possible to program data in one atomic operation (erase the old value and program the new value) or to split the Erase and Write operations in two different operations. The Programming times for the different modes are shown in [Table 4-1](#). While EEWE is set, any write to EEPМn will be ignored. during reset, the EEPМn bits will be reset to 0b00 unless the EEPROM is busy programming.

Table 4-1. EEPROM Mode Bits

EEPМ1	EEPМ0	Programming Time	Operation
0	0	3.4ms	Erase and write in one operation (atomic operation)
0	1	1.8ms	Erase only
1	0	1.8ms	Write only
1	1	–	Reserved for future use

- **Bit 3 – EERIE: EEPROM Ready Interrupt Enable**

Writing EERIE to one enables the EEPROM ready Interrupt if the I bit in SREG is set. Writing EERIE to zero disables the interrupt. The EEPROM ready interrupt generates a constant interrupt when EEWE is cleared. The interrupt will not be generated during EEPROM write or SPM.

- **Bit 2 – EEMWE: EEPROM Master Write Enable**

The EEMWE bit determines whether setting EEWE to one causes the EEPROM to be written. When EEMWE is set, setting EEWE within four clock cycles will write data to the EEPROM at the selected address. If EEMWE is zero, setting EEWE will have no effect. When EEMWE has been written to one by software, hardware clears the bit to zero after four clock cycles. See the description of the EEWE bit for an EEPROM write procedure.

- **Bit 1 – EEWE: EEPROM Write Enable**

The EEPROM Write Enable Signal EEWE is the write strobe to the EEPROM. When address and data are correctly set up, the EEWE bit must be written to one to write the value into the EEPROM. The EEMWE bit must be written to one before a logical one is written to EEWE, otherwise no EEPROM write takes place. The following procedure should be followed when writing the EEPROM (the order of steps 3 and 4 is not essential):

1. Wait until EEWE becomes zero.
2. Wait until SPМEN (Store Program Memory Enable) in SPMCSR (Store Program Memory control and status register) becomes zero.
3. Write new EEPROM address to EEAR (optional).
4. Write new EEPROM data to EEDR (optional).
5. Write a logical one to the EEMWE bit while writing a zero to EEWE in EECR.
6. Within four clock cycles after setting EEMWE, write a logical one to EEWE.

The EEPROM can not be programmed during a CPU write to the Flash memory. The software must check that the Flash programming is completed before initiating a new EEPROM write. Step 2 is only relevant if the software contains a Boot Loader allowing the CPU to program the Flash. If the Flash is never being updated by the CPU, step 2 can be omitted. See [Section 24. “Boot Loader Support – Read-while-write Self-Programming ATmega16/32/64/M1/C1” on page 241](#) for details about Boot programming.

Caution: An interrupt between step 5 and step 6 will make the write cycle fail, since the EEPROM master write enable will time-out. If an interrupt routine accessing the EEPROM is interrupting another EEPROM access, the EEAR or EEDR register will be modified, causing the interrupted EEPROM access to fail. It is recommended to have the global interrupt flag cleared during all the steps to avoid these problems. When the write access time has elapsed, the EEWB bit is cleared by hardware. The user software can poll this bit and wait for a zero before writing the next byte. When EEWB has been set, the CPU is halted for two cycles before the next instruction is executed.

• **Bit 0 – EERE: EEPROM Read Enable**

The EEPROM read enable signal EERE is the read strobe to the EEPROM. When the correct address is set up in the EEAR register, the EERE bit must be written to a logic one to trigger the EEPROM read. The EEPROM read access takes one instruction, and the requested data is available immediately. When the EEPROM is read, the CPU is halted for four cycles before the next instruction is executed.

The user should poll the EEWB bit before starting the read operation. If a write operation is in progress, it is neither possible to read the EEPROM, nor to change the EEAR register.

The calibrated oscillator is used to time the EEPROM accesses. Table 4-2 lists the typical programming time for EEPROM access from the CPU.

Table 4-2. EEPROM Programming Time.

Symbol	Number of Calibrated RC Oscillator Cycles	Typ Programming Time
EEPROM write (from CPU)	26368	3.3 ms

The following code examples show one assembly and one C function for writing to the EEPROM. The examples assume that interrupts are controlled (e.g. by disabling interrupts globally) so that no interrupts will occur during execution of these functions. The examples also assume that no flash boot loader is present in the software. If such code is present, the EEPROM write function must also wait for any ongoing SPM command to finish.

Assembly Code Example
<pre> EEPROM_write: ; Wait for completion of previous write sbic EECR,EEWE rjmp EEPROM_write ; Set up address (r18:r17) in address register out EEARH, r18 out EEARL, r17 ; Write data (r16) to data register out EEDR,r16 ; Write logical one to EEMWE sbi EECR,EEMWE ; Start eeprom write by setting EEWB sbi EECR,EEWE ret </pre>
C Code Example
<pre> void EEPROM_write (unsigned int uiAddress, unsigned char ucData) { /* Wait for completion of previous write */ while((EECR & (1<<EEWE)) ; /* Set up address and data registers */ EEAR = uiAddress; EEDR = ucData; /* Write logical one to EEMWE */ EECR = (1<<EEMWE); /* Start eeprom write by setting EEWB */ EECR = (1<<EEWE); } </pre>

The next code examples show assembly and C functions for reading the EEPROM. The examples assume that interrupts are controlled so that no interrupts will occur during execution of these functions.

Assembly Code Example
<pre> EEPROM_read: ; Wait for completion of previous write sbic EECR,EEWE rjmp EEPROM_read ; Set up address (r18:r17) in address register out EEARH, r18 out EEARL, r17 ; Start eeprom read by writing EERE sbi EECR,EERE ; Read data from data register in r16,EEDR ret </pre>
C Code Example
<pre> unsigned char EEPROM_read(unsigned int uiAddress) { /* Wait for completion of previous write */ while((EECR & (1<<EEWE)) ; /* Set up address register */ EEAR = uiAddress; /* Start eeprom read by writing EERE */ EECR = (1<<EERE); /* Return data from data register */ return EEDR; } </pre>

4.3.5 Preventing EEPROM Corruption

during periods of low V_{CC} , the EEPROM data can be corrupted because the supply voltage is too low for the CPU and the EEPROM to operate properly. These issues are the same as for board level systems using EEPROM, and the same design solutions should be applied.

An EEPROM data corruption can be caused by two situations when the voltage is too low. First, a regular write sequence to the EEPROM requires a minimum voltage to operate correctly. Secondly, the CPU itself can execute instructions incorrectly, if the supply voltage is too low.

EEPROM data corruption can easily be avoided by following this design recommendation:

Keep the AVR® RESET active (low) during periods of insufficient power supply voltage. This can be done by enabling the internal Brown-out Detector (BOD). If the detection level of the internal BOD does not match the needed detection level, an external low V_{CC} reset Protection circuit can be used. If a reset occurs while a write operation is in progress, the write operation will be completed provided that the power supply voltage is sufficient.

4.4 I/O Memory

The I/O space definition of the ATmega16/32/64/M1/C1 is shown in [Section 29. “Register Summary” on page 299](#).

All Atmel® ATmega16/32/64/M1/C1 I/Os and peripherals are placed in the I/O space. All I/O locations may be accessed by the LD/LDS/LDD and ST/STS/STD instructions, transferring data between the 32 general purpose working registers and the I/O space. I/O registers within the address range 0x00 - 0x1F are directly bit-accessible using the SBI and CBI instructions. In these registers, the value of single bits can be checked by using the SBIS and SBIC instructions. Refer to the instruction set section for more details. When using the I/O specific commands IN and OUT, the I/O addresses 0x00 - 0x3F must be used. When addressing I/O registers as data space using LD and ST instructions, 0x20 must be added to these addresses. The Atmel ATmega16/32/64/M1/C1 is a complex microcontroller with more peripheral units than can be supported within the 64 location reserved in Opcode for the IN and OUT instructions. For the Extended I/O space from 0x60 - 0xFF in SRAM, only the ST/STS/STD and LD/LDS/LDD instructions can be used.

For compatibility with future devices, reserved bits should be written to zero if accessed. Reserved I/O memory addresses should never be written.

Some of the status flags are cleared by writing a logical one to them. Note that, unlike most other AVR's, the CBI and SBI instructions will only operate on the specified bit, and can therefore be used on registers containing such status flags. The CBI and SBI instructions work with registers 0x00 to 0x1F only.

The I/O and peripherals control registers are explained in later sections.

4.5 General Purpose I/O Registers

The Atmel® ATmega16/32/64/M1/C1 contains four general purpose I/O registers. These registers can be used for storing any information, and they are particularly useful for storing global variables and status flags.

The general purpose I/O registers, within the address range 0x00 - 0x1F, are directly bit-accessible using the SBI, CBI, SBIS, and SBIC instructions.

4.5.1 General Purpose I/O Register 0 – GPIOR0

Bit	7	6	5	4	3	2	1	0	
	GPIOR07	GPIOR06	GPIOR05	GPIOR04	GPIOR03	GPIOR02	GPIOR01	GPIOR00	GPIOR0
Read/Write	R/W	R/W	R/W	R/W	R/W	R/W	R/W	R/W	
Initial Value	0	0	0	0	0	0	0	0	

4.5.2 General Purpose I/O Register 1 – GPIOR1

Bit	7	6	5	4	3	2	1	0	
	GPIOR17	GPIOR16	GPIOR15	GPIOR14	GPIOR13	GPIOR12	GPIOR11	GPIOR10	GPIOR1
Read/Write	R/W	R/W	R/W	R/W	R/W	R/W	R/W	R/W	
Initial Value	0	0	0	0	0	0	0	0	

4.5.3 General Purpose I/O Register 2 – GPIOR2

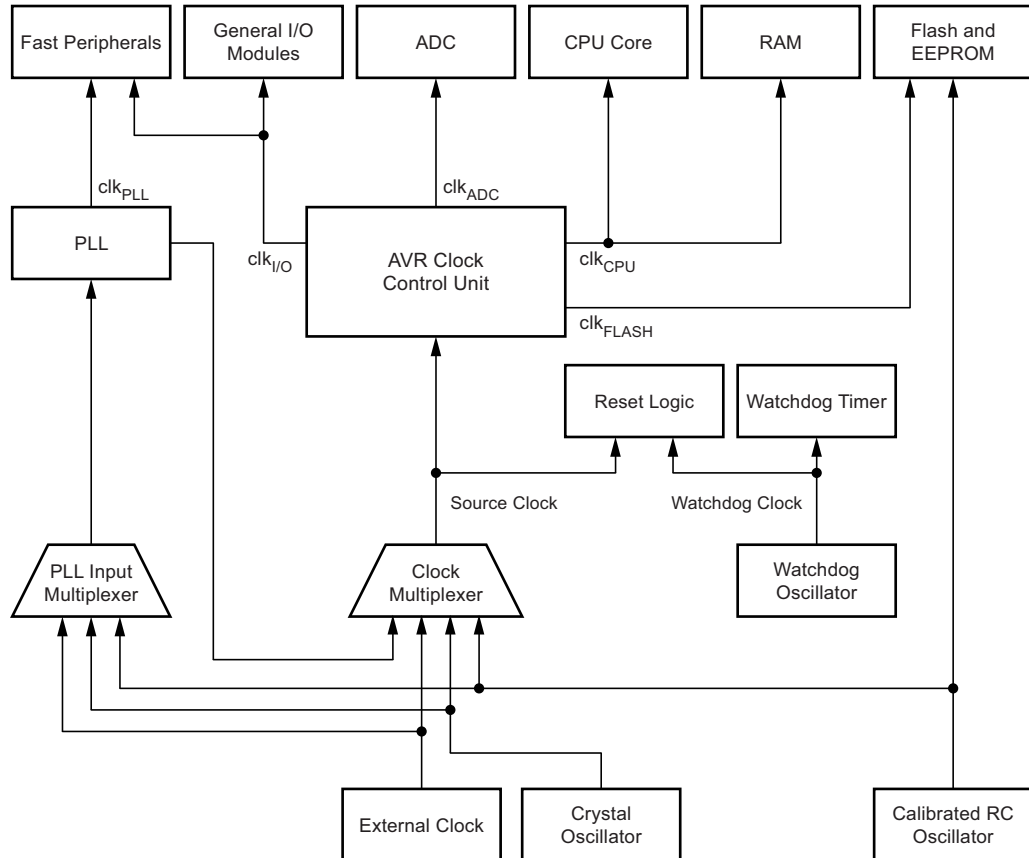
Bit	7	6	5	4	3	2	1	0	
	GPIOR27	GPIOR26	GPIOR25	GPIOR24	GPIOR23	GPIOR22	GPIOR21	GPIOR20	GPIOR2
Read/Write	R/W	R/W	R/W	R/W	R/W	R/W	R/W	R/W	
Initial Value	0	0	0	0	0	0	0	0	

5. System Clock

5.1 Clock Systems and their Distribution

Figure 5-1 presents the principal clock systems in the AVR® and their distribution. All of the clocks need not be active at a given time. In order to reduce power consumption, the clocks to unused modules can be halted by using different sleep modes, as described in Section 6. “Power Management and Sleep Modes” on page 34. The clock systems are detailed below.

Figure 5-1. Clock Distribution



5.1.1 CPU Clock – clk_{CPU}

The CPU clock is routed to parts of the system concerned with operation of the AVR core. Examples of such modules are the General Purpose Register File, the Status Register and the data memory holding the Stack Pointer. Halting the CPU clock inhibits the core from performing general operations and calculations.

5.1.2 I/O Clock – $clk_{I/O}$

The I/O clock is used by the majority of the I/O modules, like Timer/Counters, SPI, UART. The I/O clock is also used by the External Interrupt module, but note that some external interrupts are detected by asynchronous logic, allowing such interrupts to be detected even if the I/O clock is halted.

5.1.3 Flash Clock – clk_{FLASH}

The Flash clock controls operation of the Flash interface. The flash clock is usually active simultaneously with the CPU clock.

5.1.4 PLL Clock – clk_{PLL}

The PLL clock allows the fast peripherals to be clocked directly from a 64/32MHz clock. A 16MHz clock is also derived for the CPU.

5.1.5 ADC Clock – clk_{ADC}

The ADC is provided with a dedicated clock domain. This allows halting the CPU and I/O clocks in order to reduce noise generated by digital circuitry. This gives more accurate ADC conversion results.

5.2 Clock Sources

The device has the following clock source options, selectable by Flash Fuse bits as illustrated in [Table 5-1](#). The clock from the selected source is input to the AVR clock generator, and routed to the appropriate modules.

Table 5-1. Device Clocking Options Select⁽¹⁾

Device Clocking Option	System Clock	PLL Input	CKSEL3..0
External crystal/ceramic resonator	Ext Osc	RC Osc	1111 - 1000
PLL output divided by 4: 16MHz / PLL driven by external crystal/ceramic resonator	Ext Osc	Ext Osc	0100
PLL output divided by 4: 16MHz / PLL driven by external crystal/ceramic resonator	PLL / 4	Ext Osc	0101
Reserved	N/A	N/A	0110
Reserved	N/A	N/A	0111
PLL output divided by 4: 16MHz	PLL / 4	RC Osc	0011
Calibrated internal RC oscillator	RC Osc	RC Osc	0010
PLL output divided by 4: 16MHz/PLL driven by external clock	PLL / 4	Ext Clk	0001
External clock	Ext Clk	RC Osc	0000

Notes: 1. For all fuses “1” means unprogrammed while “0” means programmed.

2. Ext Osc: External oscillator
3. RC Osc: Internal RC oscillator
4. Ext Clk: External clock input

The various choices for each clocking option is given in the following sections. When the CPU wakes up from power-down or power-save, the selected clock source is used to time the start-up, ensuring stable oscillator operation before instruction execution starts. When the CPU starts from reset, there is an additional delay allowing the power to reach a stable level before starting normal operation. The watchdog oscillator is used for timing this real-time part of the start-up time. The number of WDT oscillator cycles used for each time-out is shown in [Table 5-2 on page 26](#). The frequency of the Watchdog Oscillator is voltage dependent as shown in [Section 27-31 “Watchdog Oscillator Frequency versus V_{CC}” on page 294](#).

Table 5-2. Number of Watchdog Oscillator Cycles

Typ Time-out (V _{CC} = 5.0V)	Typ Time-out (V _{CC} = 3.0V)	Number of Cycles
4.1ms	4.3ms	4K (4,096)
65ms	69ms	64K (65,536)

5.3 Default Clock Source

The device is shipped with CKSEL = “0010”, SUT = “10”, and CKDIV8 programmed. The default clock source setting is the Internal RC Oscillator with longest start-up time and an initial system clock prescaling of 8. This default setting ensures that all users can make their desired clock source setting using an in-system or parallel programmer.

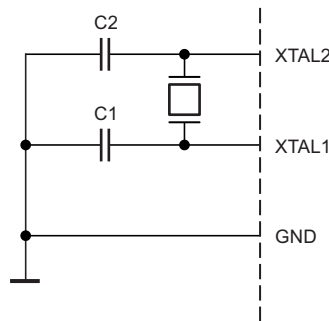
5.4 Low Power Crystal Oscillator

XTAL1 and XTAL2 are input and output, respectively, of an inverting amplifier which can be configured for use as an on-chip oscillator, as shown in Figure 5-2. Either a quartz crystal or a ceramic resonator may be used.

This crystal oscillator is a low power oscillator, with reduced voltage swing on the XTAL2 output. It gives the lowest power consumption, but is not capable of driving other clock inputs.

C1 and C2 should always be equal for both crystals and resonators. The optimal value of the capacitors depends on the crystal or resonator in use, the amount of stray capacitance, and the electromagnetic noise of the environment. Some initial guidelines for choosing capacitors for use with crystals are given in Table 5-3. For ceramic resonators, the capacitor values given by the manufacturer should be used. For more information on how to choose capacitors and other details on Oscillator operation, refer to the multi-purpose oscillator application note.

Figure 5-2. Crystal Oscillator Connections



The Oscillator can operate in three different modes, each optimized for a specific frequency range. The operating mode is selected by the fuses CKSEL3..1 as shown in Table 5-3.

Table 5-3. Crystal Oscillator Operating Modes

CKSEL3..1	Frequency Range (MHz)	Recommended Range for Capacitors C1 and C2 for Use with Crystals (pF)
100 ⁽¹⁾	0.4 - 0.9	—
101	0.9 - 3.0	12 - 22
110	3.0 - 8.0	12 - 22
111	8.0 - 16.0	12 - 22

Note: 1. This option should not be used with crystals, only with ceramic resonators.

The CKSEL0 Fuse together with the SUT1..0 Fuses select the start-up times as shown in [Table 5-4](#).

Table 5-4. Start-up Times for the Oscillator Clock Selection

CKSEL0	SUT1..0	Start-up Time from Power-down and Power-save	Additional Delay from Reset ($V_{CC} = 5.0V$)	Recommended Usage
0	00	258 CK ⁽¹⁾	14CK + 4.1ms	Ceramic resonator, fast rising power
0	01	258 CK ⁽¹⁾	14CK + 65ms	Ceramic resonator, slowly rising power
0	10	1K CK ⁽²⁾	14CK	Ceramic resonator, BOD enabled
0	11	1K CK ⁽²⁾	14CK + 4.1ms	Ceramic resonator, fast rising power
1	00	1K CK ⁽²⁾	14CK + 65ms	Ceramic resonator, slowly rising power
1	01	16K CK	14CK	Crystal Oscillator, BOD enabled
1	10	16K CK	14CK + 4.1ms	Crystal Oscillator, fast rising power
1	11	16K CK	14CK + 65ms	Crystal Oscillator, slowly rising power

- Notes:
1. These options should only be used when not operating close to the maximum frequency of the device, and only if frequency stability at start-up is not important for the application. These options are not suitable for crystals.
 2. These options are intended for use with ceramic resonators and will ensure frequency stability at start-up. They can also be used with crystals when not operating close to the maximum frequency of the device, and if frequency stability at start-up is not important for the application.

5.5 Calibrated Internal RC Oscillator

By default, the Internal RC Oscillator provides an approximate 8.0MHz clock. Though voltage and temperature dependent, this clock can be very accurately calibrated by the user. The device is shipped with the CKDIV8 Fuse programmed. See [Section 5.10 “System Clock Prescaler” on page 32](#) for more details.

This clock may be selected as the system clock by programming the CKSEL Fuses as shown in [Table 5-1 on page 26](#). If selected, it will operate with no external components. during reset, hardware loads the pre-programmed calibration value into the OSCCAL Register and thereby automatically calibrates the RC oscillator. The accuracy of this calibration is shown as factory calibration in [Table 26-1 on page 276](#).

By changing the OSCCAL register from SW, see [Section 5.5.1 “Oscillator Calibration Register – OSCCAL” on page 29](#), it is possible to get a higher calibration accuracy than by using the factory calibration. The accuracy of this calibration is shown as User calibration in [Section 26.3 “Clock Characteristics” on page 276](#).

When this oscillator is used as the chip clock, the watchdog oscillator will still be used for the watchdog timer and for the reset time-out. For more information on the pre-programmed calibration value, see the section.

Table 5-5. Internal Calibrated RC Oscillator Operating Modes⁽¹⁾⁽²⁾

Frequency Range (MHz)	CKSEL3..0
7.3 - 8.1	0010

- Notes:
1. The device is shipped with this option selected.
 2. If 8MHz frequency exceeds the specification of the device (depends on V_{CC}), the CKDIV8 fuse can be programmed in order to divide the internal frequency by 8.

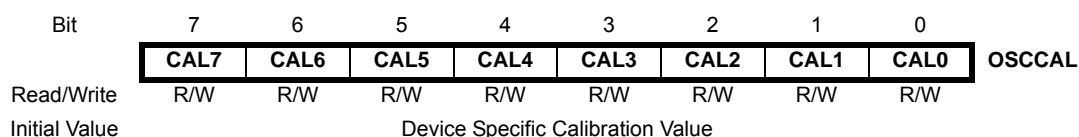
When this oscillator is selected, start-up times are determined by the SUT fuses as shown in [Table 5-6 on page 29](#).

Table 5-6. Start-up times for the internal calibrated RC Oscillator clock selection

Power Conditions	Start-up Time from Power-down and Power-save	Additional Delay from Reset ($V_{CC} = 5.0V$)	SUT1..0
BOD enabled	6 CK	14CK ⁽¹⁾	00
Fast rising power	6 CK	14CK + 4.1ms	01
Slowly rising power	6 CK	14CK + 65ms ⁽²⁾	10
Reserved			11

- Notes:
1. If the RSTDISBL fuse is programmed, this start-up time will be increased to 14CK + 4.1 ms to ensure programming mode can be entered.
 2. The device is shipped with this option selected.

5.5.1 Oscillator Calibration Register – OSCCAL



• Bits 7..0 – CAL7..0: Oscillator Calibration Value

The oscillator calibration register is used to trim the calibrated internal RC oscillator to remove process variations from the oscillator frequency. The factory-calibrated value is automatically written to this register during chip reset, giving an oscillator frequency of 8.0MHz at 25°C. The application software can write this register to change the oscillator frequency. The oscillator can be calibrated to any frequency in the range 7.3 - 8.1MHz within ±1% accuracy. Calibration outside that range is not guaranteed.

Note that this oscillator is used to time EEPROM and flash write accesses, and these write times will be affected accordingly. If the EEPROM or flash are written, do not calibrate to more than 8.8MHz. Otherwise, the EEPROM or flash write may fail.

The CAL7 bit determines the range of operation for the oscillator. Setting this bit to 0 gives the lowest frequency range, setting this bit to 1 gives the highest frequency range. The two frequency ranges are overlapping, in other words a setting of OSCCAL = 0x7F gives a higher frequency than OSCCAL = 0x80.

The CAL6..0 bits are used to tune the frequency within the selected range. A setting of 0x00 gives the lowest frequency in that range, and a setting of 0x7F gives the highest frequency in the range. Incrementing CAL6..0 by 1 will give a frequency increment of less than 2% in the frequency range 7.3 - 8.1MHz.

5.6 PLL

5.6.1 Internal PLL

The internal PLL in the Atmel® ATmega16/32/64/M1/C1 generates a clock frequency that is 64x multiplied from its nominal 1MHz input. The source of the 1MHz PLL input clock can be:

- the output of the internal RC oscillator divided by 8
- the output of the crystal oscillator divided by 8
- the external clock divided by 8

See [Figure 5-3 on page 30](#).

When the PLL is locked on the RC Oscillator, adjusting the RC Oscillator via OSCCAL Register, will also modify the PLL clock output. However, even if the possibly divided RC Oscillator is taken to a higher frequency than 8MHz, the PLL output clock frequency saturates at 70MHz (worst case) and remains oscillating at the maximum frequency. It should be noted that the PLL in this case is not locked any more with its 1MHz source clock.

Therefore it is recommended not to take the OSCCAL adjustments to a higher frequency than 8MHz in order to keep the PLL in the correct operating range.

The internal PLL is enabled only when the PLLE bit in the register PLLCSR is set. The bit PLOCK from the register PLLCSR is set when PLL is locked.

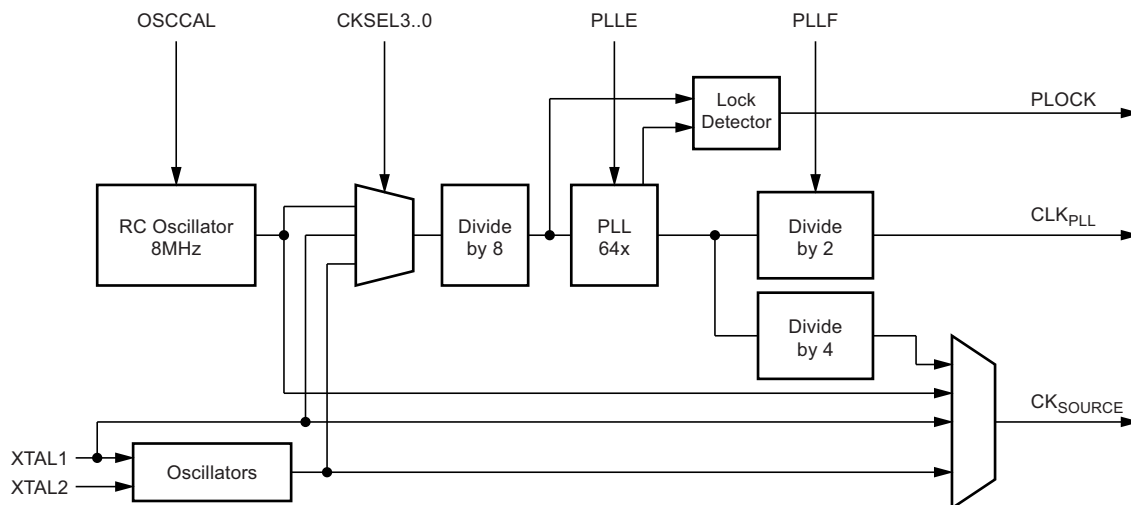
Both internal 8MHz RC Oscillator, Crystal Oscillator and PLL are switched off in Power-down and Standby sleep modes.01/15

Table 5-7. Start-up Times when the PLL is selected as system clock

CKSEL3..0	SUT1..0	Start-up Time from Power-down and Power-save	Additional Delay from Reset (V _{CC} = 5.0V)
0011 RC Osc	00	1K CK	14CK
	01	1K CK	14CK + 4ms
	10	1K CK	14CK + 64ms
	11	16K CK	14CK
0101 Ext Osc	00	1K CK	14CK
	01	1K CK	14CK + 4ms
	10	16K CK	14CK + 4ms
	11	16K CK	14CK + 64ms
0001 Ext Clk	00	6 CK ⁽¹⁾	14CK
	01	6 CK ⁽¹⁾	14CK + 4ms
	10	6 CK ⁽¹⁾	14CK + 64ms
	11	Reserved	

Note: 1. This value do not provide a proper restart; do not use PD in this clock scheme.

Figure 5-3. PLL Clocking System



5.6.2 PLL control and status register – PLLCSR

Bit	7	6	5	4	3	2	1	0	
\$29 (\$29)	–	–	–	–	–	PLLF	PLLE	PLOCK	PLLCSR
Read/Write	R	R	R	R	R	R/W	R/W	R	
Initial Value	0	0	0	0	0	0	0/1	0	

- **Bit 7..3 – Res: Reserved Bits**

These bits are reserved bits in the ATmega16/32/64/M1/C1 and always read as zero.

- **Bit 2 – PLLF: PLL Factor**

The PLLF bit is used to select the division factor of the PLL.

If PLLF is set, the PLL output is 64MHz.

If PLLF is clear, the PLL output is 32MHz.

- **Bit 1 – PLLE: PLL Enable**

When the PLLE is set, the PLL is started and if not yet started the internal RC oscillator is started as PLL reference clock. If PLL is selected as a system clock source the value for this bit is always 1.

- **Bit 0 – PLOCK: PLL Lock Detector**

When the PLOCK bit is set, the PLL is locked to the reference clock, and it is safe to enable CLK_{PLL} for Fast Peripherals. After the PLL is enabled, it takes about 100 μ s for the PLL to lock.

5.7 128 kHz Internal Oscillator

The 128 kHz internal oscillator is a low power Oscillator providing a clock of 128 kHz. The frequency is nominal at 3V and 25°C. This clock is used by the Watchdog Oscillator.

5.8 External Clock

To drive the device from an external clock source, XTAL1 should be driven as shown in [Figure 5-4](#). To run the device on an external clock, the CKSEL fuses must be programmed to “0000”.

Figure 5-4. External Clock Drive Configuration

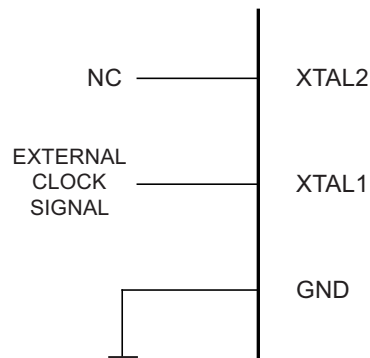


Table 5-8. External Clock Frequency

CKSEL3..0	Frequency Range
0000	0 - 16MHz

When this clock source is selected, start-up times are determined by the SUT fuses as shown in [Table 5-9](#).

Table 5-9. Start-up Times for the External Clock Selection

SUT1..0	Start-up Time from Power-down and Power-save	Additional Delay from Reset ($V_{CC} = 5.0V$)	Recommended Usage
00	6 CK	14CK	BOD enabled
01	6 CK	14CK + 4.1ms	Fast rising power
10	6 CK	14CK + 65ms	Slowly rising power
11	Reserved		

When applying an external clock, it is required to avoid sudden changes in the applied clock frequency to ensure stable operation of the MCU. A variation in frequency of more than 2% from one clock cycle to the next can lead to unpredictable behavior. It is required to ensure that the MCU is kept in reset during such changes in the clock frequency.

Note that the system clock prescaler can be used to implement run-time changes of the internal clock frequency while still ensuring stable operation. Refer to [Section 5.10 “System Clock Prescaler” on page 32](#) for details.

5.9 Clock Output Buffer

When the CKOUT fuse is programmed, the system Clock will be output on CLKO. This mode is suitable when chip clock is used to drive other circuits on the system. The clock will be output also during reset and the normal operation of I/O pin will be overridden when the fuse is programmed. Any clock source, including internal RC oscillator, can be selected when CLKO serves as clock output. If the system clock prescaler is used, it is the divided system clock that is output (CKOUT fuse programmed).

5.10 System Clock Prescaler

The Atmel® ATmega16/32/64/M1/C1 system clock can be divided by setting the clock prescale register – CLKPR. This feature can be used to decrease power consumption when the requirement for processing power is low. This can be used with all clock source options, and it will affect the clock frequency of the CPU and all synchronous peripherals. $clk_{I/O}$, clk_{ADC} , clk_{CPU} , and clk_{FLASH} are divided by a factor as shown in [Table 5-10](#).

When switching between prescaler settings, the system clock prescaler ensures that no glitches occurs in the clock system. It also ensures that no intermediate frequency is higher than neither the clock frequency corresponding to the previous setting, nor the clock frequency corresponding to the new setting. The ripple counter that implements the prescaler runs at the frequency of the undivided clock, which may be faster than the CPU's clock frequency. Hence, it is not possible to determine the state of the prescaler - even if it were readable, and the exact time it takes to switch from one clock division to the other cannot be exactly predicted. From the time the CLKPS values are written, it takes between $T1 + T2$ and $T1 + 2 * T2$ before the new clock frequency is active. In this interval, 2 active clock edges are produced. Here, $T1$ is the previous clock period, and $T2$ is the period corresponding to the new prescaler setting.

To avoid unintentional changes of clock frequency, a special write procedure must be followed to change the CLKPS bits:

1. Write the clock prescaler change enable (CLKPCE) bit to one and all other bits in CLKPR to zero.
2. Within four cycles, write the desired value to CLKPS while writing a zero to CLKPCE.

Interrupts must be disabled when changing prescaler setting to make sure the write procedure is not interrupted.

5.10.1 Clock Prescaler Register – CLKPR

Bit	7	6	5	4	3	2	1	0	
	CLKPCE	–	–	–	CLKPS3	CLKPS2	CLKPS1	CLKPS0	CLKPR
Read/Write	R/W	R	R	R	R/W	R/W	R/W	R/W	
Initial Value	0	0	0	0	See Bit Description				

- **Bit 7 – CLKPCE: Clock Prescaler Change Enable**

The CLKPCE bit must be written to logic one to enable change of the CLKPS bits. The CLKPCE bit is only updated when the other bits in CLKPR are simultaneously written to zero. CLKPCE is cleared by hardware four cycles after it is written or when CLKPS bits are written. Rewriting the CLKPCE bit within this time-out period does neither extend the time-out period, nor clear the CLKPCE bit.

- **Bits 3..0 – CLKPS3..0: Clock Prescaler Select Bits 3 - 0**

These bits define the division factor between the selected clock source and the internal system clock. These bits can be written run-time to vary the clock frequency to suit the application requirements. As the divider divides the master clock input to the MCU, the speed of all synchronous peripherals is reduced when a division factor is used. The division factors are given in [Table 5-10](#).

The CKDIV8 fuse determines the initial value of the CLKPS bits. If CKDIV8 is unprogrammed, the CLKPS bits will be reset to “0000”. If CKDIV8 is programmed, CLKPS bits are reset to “0011”, giving a division factor of 8 at start up. This feature should be used if the selected clock source has a higher frequency than the maximum frequency of the device at the present operating conditions. Note that any value can be written to the CLKPS bits regardless of the CKDIV8 fuse setting. The application software must ensure that a sufficient division factor is chosen if the selected clock source has a higher frequency than the maximum frequency of the device at the present operating conditions. The device is shipped with the CKDIV8 fuse programmed.

Table 5-10. Clock Prescaler Select

CLKPS3	CLKPS2	CLKPS1	CLKPS0	Clock Division Factor
0	0	0	0	1
0	0	0	1	2
0	0	1	0	4
0	0	1	1	8
0	1	0	0	16
0	1	0	1	32
0	1	1	0	64
0	1	1	1	128
1	0	0	0	256
1	0	0	1	Reserved
1	0	1	0	Reserved
1	0	1	1	Reserved
1	1	0	0	Reserved
1	1	0	1	Reserved
1	1	1	0	Reserved
1	1	1	1	Reserved

6. Power Management and Sleep Modes

Sleep modes enable the application to shut down unused modules in the MCU, thereby saving power. The AVR[®] provides various sleep modes allowing the user to tailor the power consumption to the application's requirements.

To enter any of the five sleep modes, the SE bit in SMCR must be written to logic one and a SLEEP instruction must be executed. The SM2, SM1, and SM0 bits in the SMCR Register select which sleep mode (Idle, ADC noise reduction, Power-down, Power-save, or Standby) will be activated by the SLEEP instruction. See [Table 6-1](#) for a summary. If an enabled interrupt occurs while the MCU is in a sleep mode, the MCU wakes up. The MCU is then halted for four cycles in addition to the start-up time, executes the interrupt routine, and resumes execution from the instruction following SLEEP. The contents of the register file and SRAM are unaltered when the device wakes up from sleep. If a reset occurs during sleep mode, the MCU wakes up and executes from the reset vector.

[Figure 5-1 on page 25](#) presents the different clock systems in the Atmel[®] ATmega16/32/64/M1/C1, and their distribution. The figure is helpful in selecting an appropriate sleep mode.

6.1 Sleep Mode Control Register

6.1.1 Sleep Mode Control Register – SMCR

The Sleep Mode Control Register contains control bits for power management.

Bit	7	6	5	4	3	2	1	0	
	–	–	–	–	SM2	SM1	SM0	SE	SMCR
Read/Write	R	R	R	R	R/W	R/W	R/W	R/W	
Initial Value	0	0	0	0	0	0	0	0	

- **Bits 3..1 – SM2..0: Sleep Mode Select Bits 2, 1, and 0**

These bits select between the five available sleep modes as shown in [Table 6-1](#).

Table 6-1. Sleep Mode Select

SM2	SM1	SM0	Sleep Mode
0	0	0	Idle
0	0	1	ADC noise reduction
0	1	0	Power-down
0	1	1	Reserved
1	0	0	Reserved
1	0	1	Reserved
1	1	0	Standby ⁽¹⁾
1	1	1	Reserved

Note: 1. Standby mode is only recommended for use with external crystals or resonators.

- **Bit 1 – SE: Sleep Enable**

The SE bit must be written to logic one to make the MCU enter the sleep mode when the SLEEP instruction is executed. To avoid the MCU entering the sleep mode unless it is the programmer's purpose, it is recommended to write the sleep enable (SE) bit to one just before the execution of the SLEEP instruction and to clear it immediately after waking up.

6.2 Idle Mode

When the SM2..0 bits are written to 000, the SLEEP instruction makes the MCU enter Idle mode, stopping the CPU but allowing SPI, UART, analog comparator, ADC, Timer/Counters, watchdog, and the interrupt system to continue operating. This sleep mode basically halt clk_{CPU} and clk_{FLASH} , while allowing the other clocks to run.

Idle mode enables the MCU to wake up from external triggered interrupts as well as internal ones like the timer overflow and UART transmit complete interrupts. If wake-up from the analog comparator interrupt is not required, the analog comparator can be powered down by setting the ACD bit in the analog comparator control and status register – ACSR. This will reduce power consumption in Idle mode. If the ADC is enabled, a conversion starts automatically when this mode is entered.

6.3 ADC noise reduction Mode

When the SM2..0 bits are written to 001, the SLEEP instruction makes the MCU enter ADC noise reduction mode, stopping the CPU but allowing the ADC, the External Interrupts, Timer/Counter (if their clock source is external - T0 or T1) and the watchdog to continue operating (if enabled). This sleep mode basically halts $clk_{I/O}$, clk_{CPU} , and clk_{FLASH} , while allowing the other clocks to run.

This improves the noise environment for the ADC, enabling higher resolution measurements. If the ADC is enabled, a conversion starts automatically when this mode is entered. Apart from the ADC conversion complete interrupt, only an external reset, a watchdog reset, a brown-out reset, a Timer/Counter interrupt, an SPM/EEPROM ready interrupt, an external level interrupt on INT3:0 can wake up the MCU from ADC noise reduction mode.

6.4 Power-down Mode

When the SM2..0 bits are written to 010, the SLEEP instruction makes the MCU enter power-down mode. In this mode, the external oscillator is stopped, while the external interrupts and the watchdog continue operating (if enabled). Only an external reset, a watchdog reset, a brown-out reset, a PSC interrupt, an external level interrupt on INT3:0 can wake up the MCU. This sleep mode basically halts all generated clocks, allowing operation of asynchronous modules only.

Note that if a level triggered interrupt is used for wake-up from power-down mode, the changed level must be held for some time to wake up the MCU. Refer to [Section 10. “External Interrupts” on page 70](#) for details.

When waking up from power-down mode, there is a delay from the wake-up condition occurs until the wake-up becomes effective. This allows the clock to restart and become stable after having been stopped. The wake-up period is defined by the same CKSEL fuses that define the reset time-out period, as described in [Section 5.2 “Clock Sources” on page 26](#).

6.5 Standby Mode

When the SM2..0 bits are 110 and an external crystal/resonator clock option is selected, the SLEEP instruction makes the MCU enter Standby mode. This mode is identical to Power-down with the exception that the Oscillator is kept running. From Standby mode, the device wakes up in six clock cycles.

Table 6-2. Active Clock Domains and Wake-up Sources in the Different Sleep Modes

Sleep Mode	Active Clock Domains					Oscillators	Wake-up Sources					
	clk_{CPU}	clk_{FLASH}	$clk_{I/O}$	clk_{ADC}	clk_{PLL}	Main Clock Source Enabled	INT3..0	PSC	SPM/EEPROM Ready	ADC	WDT	Other/I/O
Idle			X	X	X	X	X	X	X	X	X	X
ADC Noise Reduction				X	X	X	X ⁽²⁾	X	X	X	X	
Power-down							X ⁽²⁾				X	
Standby ⁽¹⁾						X	X ⁽²⁾				X	

- Notes: 1. Only recommended with external crystal or resonator selected as clock source.
2. Only level interrupt.

6.6 Power Reduction Register

The power reduction register, PRR, provides a method to stop the clock to individual peripherals to reduce power consumption. The current state of the peripheral is frozen and the I/O registers can not be read or written. Resources used by the peripheral when stopping the clock will remain occupied, hence the peripheral should in most cases be disabled before stopping the clock. Waking up a module, which is done by clearing the bit in PRR, puts the module in the same state as before shutdown.

A full predictable behavior of a peripheral is not guaranteed during and after a cycle of stopping and starting of its clock. So its recommended to stop a peripheral before stopping its clock with PRR register.

Module shutdown can be used in Idle mode and Active mode to significantly reduce the overall power consumption. In all other sleep modes, the clock is already stopped.

6.6.1 Power Reduction Register - PRR

Bit	7	6	5	4	3	2	1	0	
	-	PRCAN	PRPSC	PRTIM1	PRTIM0	PRSPI	PRLIN	PRADC	PRR
Read/Write	R	R/W	R/W	R/W	R/W	R/W	R/W	R/W	
Initial Value	0	0	0	0	0	0	0	0	

- **Bit 7 - Res: Reserved Bit**

This bit is unused bit in the ATmega16/32/64/M1/C1, and will always read as zero.

- **Bit 6 - PRCAN: Power Reduction CAN**

Writing a logic one to this bit reduces the consumption of the CAN by stopping the clock to this module. When waking up the CAN again, the CAN should be re initialized to ensure proper operation.

- **Bit 5 - PRPSC: Power Reduction PSC**

Writing a logic one to this bit reduces the consumption of the PSC by stopping the clock to this module. When waking up the PSC again, the PSC should be re initialized to ensure proper operation.

- **Bit 4 - PRTIM1: Power Reduction Timer/Counter1**

Writing a logic one to this bit reduces the consumption of the Timer/Counter1 module. When the Timer/Counter1 is enabled, operation will continue like before the setting of this bit.

- **Bit 3 - PRTIM0: Power Reduction Timer/Counter0**

Writing a logic one to this bit reduces the consumption of the Timer/Counter0 module. When the Timer/Counter0 is enabled, operation will continue like before the setting of this bit.

- **Bit 2 - PRSPI: Power Reduction Serial Peripheral Interface**

Writing a logic one to this bit reduces the consumption of the serial peripheral interface by stopping the clock to this module. When waking up the SPI again, the SPI should be re initialized to ensure proper operation.

- **Bit 1 - PRLIN: Power Reduction LIN**

Writing a logic one to this bit reduces the consumption of the UART controller by stopping the clock to this module. When waking up the UART controller again, the UART controller should be re initialized to ensure proper operation.

- **Bit 0 - PRADC: Power Reduction ADC**

Writing a logic one to this bit reduces the consumption of the ADC by stopping the clock to this module. The ADC must be disabled before using this function. The analog comparator cannot use the ADC input MUX when the clock of ADC is stopped.

6.7 Minimizing Power Consumption

There are several issues to consider when trying to minimize the power consumption in an AVR[®] controlled system. In general, sleep modes should be used as much as possible, and the sleep mode should be selected so that as few as possible of the device's functions are operating. All functions not needed should be disabled. In particular, the following modules may need special consideration when trying to achieve the lowest possible power consumption.

6.7.1 Analog to Digital Converter

If enabled, the ADC will be enabled in all sleep modes. To save power, the ADC should be disabled before entering any sleep mode. When the ADC is turned off and on again, the next conversion will be an extended conversion. Refer to [Section 18. "Analog to Digital Converter - ADC" on page 197](#) for details on ADC operation.

6.7.2 Analog Comparator

When entering Idle mode, the analog comparator should be disabled if not used. When entering ADC noise reduction mode, the analog comparator should be disabled. In other sleep modes, the analog comparator is automatically disabled. However, if the analog comparator is set up to use the internal voltage reference as input, the analog comparator should be disabled in all sleep modes. Otherwise, the internal voltage reference will be enabled, independent of sleep mode. Refer to [Section 20. "Analog Comparator" on page 225](#) for details on how to configure the analog comparator.

6.7.3 Brown-out Detector

If the brown-out detector is not needed by the application, this module should be turned off. If the brown-out detector is enabled by the BODLEVEL fuses, it will be enabled in all sleep modes, and hence, always consume power. In the deeper sleep modes, this will contribute significantly to the total current consumption. Refer to [Section 7.2.3 "Brown-out Detection" on page 40](#) for details on how to configure the brown-out detector.

6.7.4 Internal Voltage Reference

The internal voltage reference will be enabled when needed by the brown-out detection, the analog comparator or the ADC. If these modules are disabled as described in the sections above, the internal voltage reference will be disabled and it will not be consuming power. When turned on again, the user must allow the reference to start up before the output is used. If the reference is kept on in sleep mode, the output can be used immediately. Refer to [Section 7.3 "Internal Voltage Reference" on page 42](#) for details on the start-up time.

6.7.5 Watchdog Timer

If the watchdog timer is not needed in the application, the module should be turned off. If the watchdog timer is enabled, it will be enabled in all sleep modes, and hence, always consume power. In the deeper sleep modes, this will contribute significantly to the total current consumption. Refer to [Section 7.4 "Watchdog Timer" on page 43](#) for details on how to configure the watchdog timer.

6.7.6 Port Pins

When entering a sleep mode, all port pins should be configured to use minimum power. The most important is then to ensure that no pins drive resistive loads. In sleep modes where both the I/O clock ($clk_{I/O}$) and the ADC clock (clk_{ADC}) are stopped, the input buffers of the device will be disabled. This ensures that no power is consumed by the input logic when not needed. In some cases, the input logic is needed for detecting wake-up conditions, and it will then be enabled. Refer to the section [Section 9. "I/O-Ports" on page 51](#) for details on which pins are enabled. If the input buffer is enabled and the input signal is left floating or have an analog signal level close to $V_{CC}/2$, the input buffer will use excessive power.

For analog input pins, the digital input buffer should be disabled at all times. An analog signal level close to $V_{CC}/2$ on an input pin can cause significant current even in active mode. Digital input buffers can be disabled by writing to the digital input disable registers (DIDR1 and DIDR0). Refer to "Digital Input Disable Register 1– DIDR1" and "Digital Input Disable Register 0 – DIDR0" on [232](#) and [214](#) for details.

6.7.7 On-chip Debug System

If the on-chip debug system is enabled by OCDEN Fuse and the chip enter sleep mode, the main clock source is enabled, and hence, always consumes power. In the deeper sleep modes, this will contribute significantly to the total current consumption.

7. System Control and Reset

7.1 Resetting the AVR

During reset, all I/O registers are set to their initial values, and the program starts execution from the reset Vector. The instruction placed at the reset vector must be a JMP – Absolute Jump – instruction to the reset handling routine. If the program never enables an interrupt source, the interrupt vectors are not used, and regular program code can be placed at these locations. This is also the case if the reset vector is in the application section while the interrupt vectors are in the boot section or vice versa. The circuit diagram in [Figure 7-1 on page 38](#) shows the reset logic. [Table 7-1 on page 39](#) defines the electrical parameters of the reset circuitry.

The I/O ports of the AVR® are immediately reset to their initial state when a reset source goes active. This does not require any clock source to be running. After all reset sources have gone inactive, a delay counter is invoked, stretching the internal reset. This allows the power to reach a stable level before normal operation starts. The time-out period of the delay counter is defined by the user through the SUT and CKSEL Fuses. The different selections for the delay period are presented in [Section 5.2 “Clock Sources” on page 26](#).

7.2 Reset Sources

The Atmel ATmega16/32/64/M1/C1 has four sources of reset:

- Power-on reset. The MCU is reset when the supply voltage is below the power-on reset threshold (V_{POT}).
- External reset. The MCU is reset when a low level is present on the **RESET** pin for longer than the minimum pulse length.
- Watchdog reset. The MCU is reset when the watchdog timer period expires and the watchdog is enabled.
- Brown-out reset. The MCU is reset when the supply voltage V_{CC} is below the brown-out reset threshold (V_{BOT}) and the brown-out detector is enabled.

Figure 7-1. Reset Logic

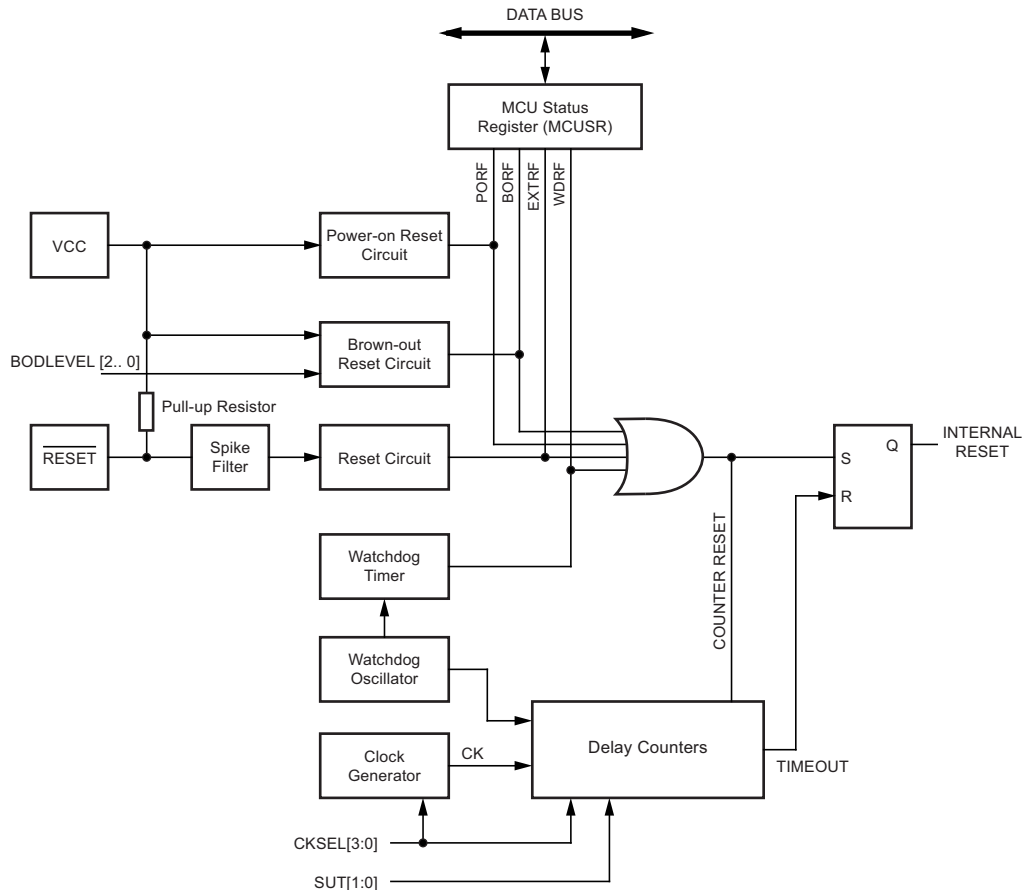


Table 7-1. Reset Characteristics

Parameter	Symbol	Min	Typ	Max	Unit
Power-on reset threshold voltage (rising)	V_{POT}	1.1	1.4	1.7	V
Power-on reset threshold voltage (falling) ⁽¹⁾		0.8	0.9	1.6	V
VCC max. start voltage to ensure internal power-on reset signal	V_{PORMAX}			0.4	V
VCC min. start voltage to ensure internal power-on reset signal	V_{PORMIN}	-0.1			V
VCC rise rate to ensure power-on reset	V_{CCRR}	0.01			V/ms
RESET pin threshold voltage	V_{RST}	0.1 V_{CC}		0.9 V_{CC}	V
Minimum pulse width on RESET pin	t_{RST}	2.5	-	-	μ s

Note: 1. Before rising, the supply has to be between V_{PORMIN} and V_{PORMAX} to ensure a reset.

7.2.1 Power-on Reset

A power-on reset (POR) pulse is generated by an on-chip detection circuit. The detection level is defined in Table 7-1. The POR is activated whenever V_{CC} is below the detection level. The POR circuit can be used to trigger the start-up Reset, as well as to detect a failure in supply voltage.

A power-on reset (POR) circuit ensures that the device is reset from power-on. Reaching the power-on reset threshold voltage invokes the delay counter, which determines how long the device is kept in RESET after V_{CC} rise. The RESET signal is activated again, without any delay, when V_{CC} decreases below the detection level.

Figure 7-2. MCU Start-up, RESET Tied to V_{CC}

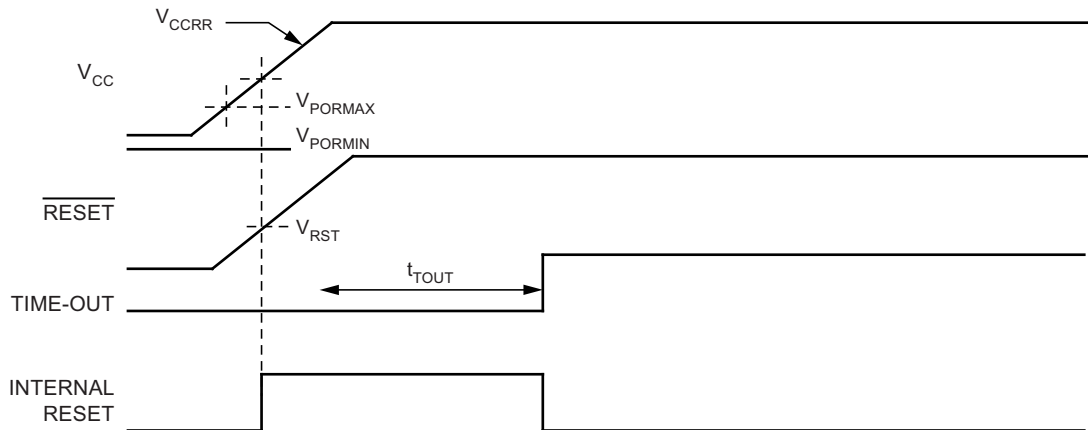
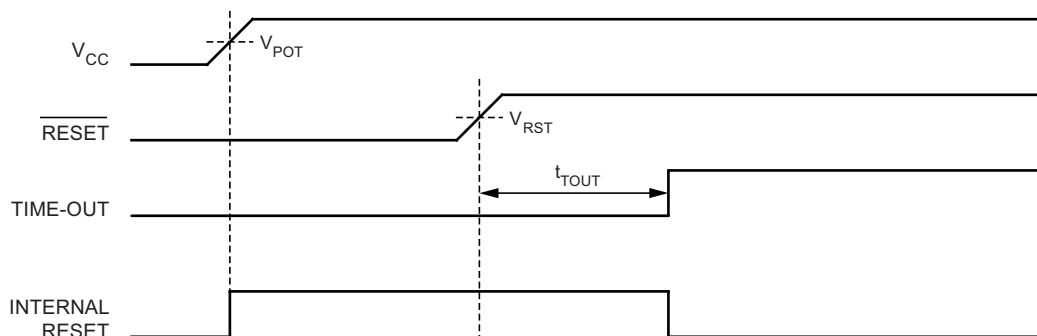


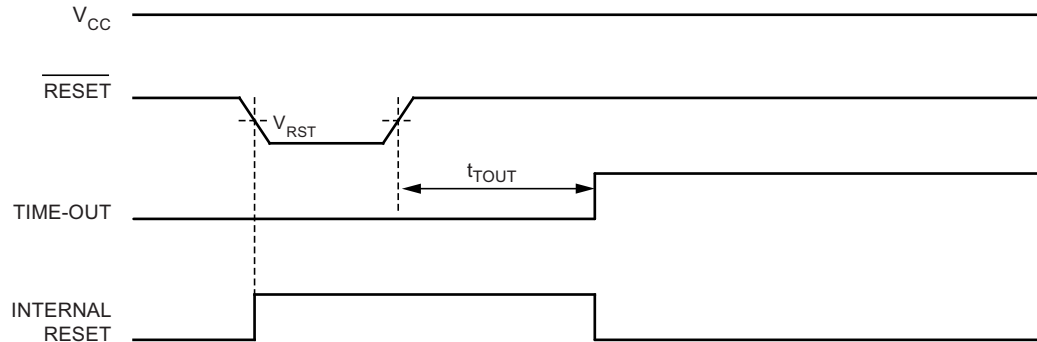
Figure 7-3. MCU Start-up, RESET Extended Externally



7.2.2 External Reset

An external reset is generated by a low level on the $\overline{\text{RESET}}$ pin. Reset pulses longer than the minimum pulse width (see Table 7-1) will generate a reset, even if the clock is not running. Shorter pulses are not guaranteed to generate a reset. When the applied signal reaches the Reset Threshold Voltage – V_{RST} – on its positive edge, the delay counter starts the MCU after the Time-out period – t_{TOUT} – has expired.

Figure 7-4. External Reset during Operation



7.2.3 Brown-out Detection

ATmega16/32/64/M1/C1 has an on-chip brown-out detection (BOD) circuit for monitoring the V_{CC} level during operation by comparing it to a fixed trigger level. The trigger level for the BOD can be selected by the BODLEVEL Fuses. The trigger level has a hysteresis to ensure spike free brown-out detection. The hysteresis on the detection level should be interpreted as $V_{\text{BOT+}} = V_{\text{BOT}} + V_{\text{HYST}}/2$ and $V_{\text{BOT-}} = V_{\text{BOT}} - V_{\text{HYST}}/2$.

Table 7-2. BODLEVEL Fuse Coding⁽¹⁾⁽²⁾

BODLEVEL 2..0 Fuses	Typ V_{BOT}	Unit
111	Disabled	
110	4.5	V
011	4.4	V
100	4.3	V
010	4.2	V
001	2.8	V
101	2.7	V
000	2.6	V

- Notes:
- V_{BOT} may be below nominal minimum operating voltage for some devices. For devices where this is the case, the device is tested down to $V_{\text{CC}} = V_{\text{BOT}}$ during the production test. This guarantees that a brown-out reset will occur before V_{CC} drops to a voltage where correct operation of the microcontroller is no longer guaranteed. The test is performed using BODLEVEL = 010 for low operating voltage and BODLEVEL = 101 for high operating voltage.
 - Values are guidelines only.

Table 7-3. Brown-out Characteristics⁽¹⁾

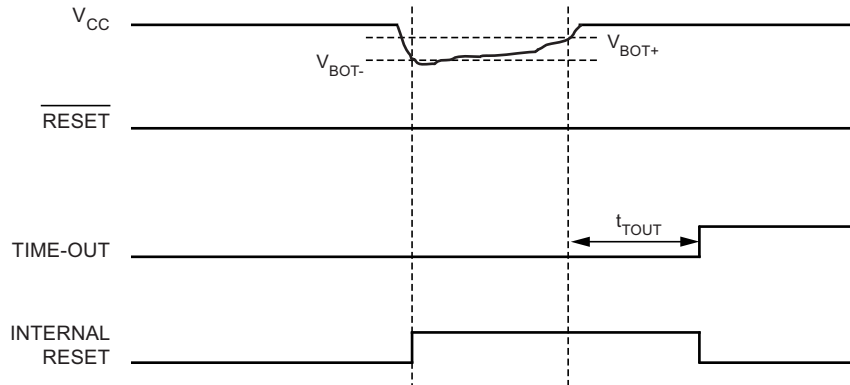
Parameter	Symbol	Min.	Typ.	Max.	Unit
Brown-out Detector Hysteresis	V_{HYST}		80		mV
Min Pulse Width on Brown-out Reset	t_{BOD}		2		μs

- Note:
- Values are guidelines only.

When the BOD is enabled, and V_{CC} decreases to a value below the trigger level (V_{BOT-} in Figure 7-5 on page 41), the brown-out reset is immediately activated. When V_{CC} increases above the trigger level (V_{BOT+} in Figure 7-5 on page 41), the delay counter starts the MCU after the Time-out period t_{TOUT} has expired.

The BOD circuit will only detect a drop in V_{CC} if the voltage stays below the trigger level for longer than t_{BOD} given in Table 7-3.

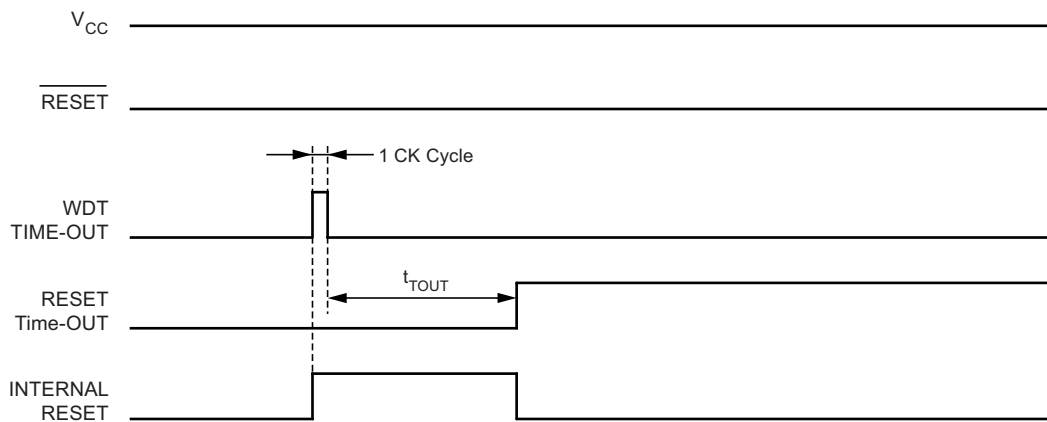
Figure 7-5. Brown-out Reset during Operation



7.2.4 Watchdog Reset

When the watchdog times out, it will generate a short reset pulse of one CK cycle duration. On the falling edge of this pulse, the delay timer starts counting the time-out period t_{TOUT} . Refer to Section 7.4 “Watchdog Timer” on page 43 for details on operation of the watchdog timer.

Figure 7-6. Watchdog Reset during Operation



7.2.5 MCU Status Register – MCUSR

The MCU Status Register provides information on which reset source caused an MCU reset.

Bit	7	6	5	4	3	2	1	0	
	–	–	–	–	WDRF	BORF	EXTRF	PORF	MCUSR
Read/Write	R	R	R	R	R/W	R/W	R/W	R/W	
Initial Value	0	0	0	0	See Bit Description				

- **Bit 3 – WDRF: Watchdog Reset Flag**

This bit is set if a watchdog reset occurs. The bit is reset by a power-on reset, or by writing a logic zero to the flag.

- **Bit 2 – BORF: Brown-out Reset Flag**

This bit is set if a brown-out reset occurs. The bit is reset by a power-on reset, or by writing a logic zero to the flag.

- **Bit 1 – EXTRF: External Reset Flag**

This bit is set if an external reset occurs. The bit is reset by a power-on reset, or by writing a logic zero to the flag.

- **Bit 0 – PORF: Power-on Reset Flag**

This bit is set if a power-on reset occurs. The bit is reset only by writing a logic zero to the flag.

To make use of the reset flags to identify a reset condition, the user should read and then reset the MCUSR as early as possible in the program. If the register is cleared before another reset occurs, the source of the reset can be found by examining the reset flags.

7.3 Internal Voltage Reference

ATmega16/32/64/M1/C1 features an internal bandgap reference. This reference is used for brown-out detection, and it can be used as an input to the analog comparators or the ADC. The V_{REF} 2.56V reference to the ADC, DAC or analog comparators is generated from the internal bandgap reference.

7.3.1 Voltage Reference Enable Signals and Start-up Time

The voltage reference has a start-up time that may influence the way it should be used. The start-up time is given in [Table 7-4](#). To save power, the reference is not always turned on. The reference is on during the following situations:

1. When the BOD is enabled (by programming the BODLEVEL [2..0] Fuse).
2. When the bandgap reference is connected to the analog comparator (by setting the ACBG bit in ACSR).
3. When the ADC is enabled.
4. When the DAC is enabled.

Thus, when the BOD is not enabled, after setting the ACBG bit or enabling the ADC or the DAC, the user must always allow the reference to start up before the output from the analog comparator or ADC or DAC is used. To reduce power consumption in power-down mode, the user can avoid the three conditions above to ensure that the reference is turned off before entering power-down mode.

7.3.2 Voltage Reference Characteristics

Table 7-4. Internal Voltage Reference Characteristics⁽¹⁾

Parameter	Symbol	Condition	Min.	Typ.	Max.	Unit
Bandgap reference voltage	V_{BG}			1.1		V
Bandgap reference start-up time	t_{BG}			40		μ s
Bandgap reference current consumption	I_{BG}			15		μ A

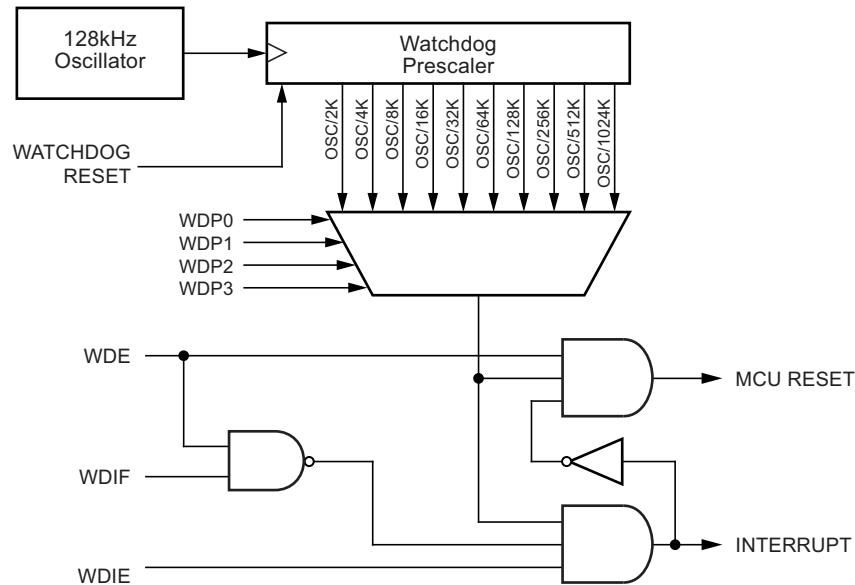
Note: 1. Values are guidelines only.

7.4 Watchdog Timer

ATmega16/32/64/M1/C1 has an enhanced watchdog timer (WDT). The main features are:

- Clocked from separate on-chip oscillator
- 3 operating modes
 - Interrupt
 - System reset
 - Interrupt and system reset
- Selectable time-out period from 16ms to 8s
- Possible hardware fuse watchdog always on (WDTON) for fail-safe mode

Figure 7-7. Watchdog Timer



The watchdog timer (WDT) is a timer counting cycles of a separate on-chip 128 kHz oscillator. The WDT gives an interrupt or a system reset when the counter reaches a given time-out value. In normal operation mode, it is required that the system uses the WDR - Watchdog Timer Reset - instruction to restart the counter before the time-out value is reached. If the system doesn't restart the counter, an interrupt or system reset will be issued.

In Interrupt mode, the WDT gives an interrupt when the timer expires. This interrupt can be used to wake the device from sleep-modes, and also as a general system timer. One example is to limit the maximum time allowed for certain operations, giving an interrupt when the operation has run longer than expected. In system reset mode, the WDT gives a reset when the timer expires. This is typically used to prevent system hang-up in case of runaway code. The third mode, interrupt and system reset mode, combines the other two modes by first giving an interrupt and then switch to system reset mode. This mode will for instance allow a safe shutdown by saving critical parameters before a system reset.

The "Watchdog Timer Always On" (WDTON) fuse, if programmed, will force the watchdog timer to system reset mode. With the fuse programmed the system reset mode bit (WDE) and Interrupt mode bit (WDIE) are locked to 1 and 0 respectively. To further ensure program security, alterations to the watchdog set-up must follow timed sequences. The sequence for clearing WDE and changing time-out configuration is as follows:

1. In the same operation, write a logic one to the watchdog change enable bit (WDCE) and WDE. A logic one must be written to WDE regardless of the previous value of the WDE bit.
2. Within the next four clock cycles, write the WDE and watchdog prescaler bits (WDP) as desired, but with the WDCE bit cleared. This must be done in one operation.

The following code example shows one assembly and one C function for turning off the Watchdog Timer. The example assumes that interrupts are controlled (e.g. by disabling interrupts globally) so that no interrupts will occur during the execution of these functions.

Assembly Code Example ⁽¹⁾
<pre> WDT_off: ; Turn off global interrupt cli ; Reset Watchdog Timer wdr ; Clear WDRF in MCUSR in r16, MCUSR andi r16, (0xff & (0<<WDRF)) out MCUSR, r16 ; Write logical one to WDCE and WDE ; Keep old prescaler setting to prevent unintentional time-out lds r16, WDTCSR ori r16, (1<<WDCE) (1<<WDE) sts WDTCSR, r16 ; Turn off WDT ldi r16, (0<<WDE) sts WDTCSR, r16 ; Turn on global interrupt sei ret </pre>
C Code Example ⁽¹⁾
<pre> void WDT_off(void) { __disable_interrupt(); __watchdog_reset(); /* Clear WDRF in MCUSR */ MCUSR &= ~(1<<WDRF); /* Write logical one to WDCE and WDE */ /* Keep old prescaler setting to prevent unintentional time-out */ WDTCSR = (1<<WDCE) (1<<WDE); /* Turn off WDT */ WDTCSR = 0x00; __enable_interrupt(); } </pre>

- Notes:
1. The example code assumes that the part specific header file is included.
 2. If the watchdog is accidentally enabled, for example by a runaway pointer or brown-out condition, the device will be reset and the watchdog timer will stay enabled. If the code is not set up to handle the watchdog, this might lead to an eternal loop of time-out resets. To avoid this situation, the application software should always clear the watchdog system reset flag (WDRF) and the WDE control bit in the initialization routine, even if the watchdog is not in use.

The following code example shows one assembly and one C function for changing the time-out value of the watchdog timer.

Assembly Code Example ⁽¹⁾
<pre> WDT_Prescaler_Change: ; Turn off global interrupt cli ; Reset Watchdog Timer wdr ; Start timed sequence lds r16, WDTCR ori r16, (1<<WDCE) (1<<WDE) sts WDTCR, r16 ; -- Got four cycles to set the new values from here - ; Set new prescaler(time-out) value = 64K cycles (~0.5 s) ldi r16, (1<<WDE) (1<<WDP2) (1<<WDP0) sts WDTCR, r16 ; -- Finished setting new values, used 2 cycles - ; Turn on global interrupt sei ret </pre>
C Code Example ⁽¹⁾
<pre> void WDT_Prescaler_Change(void) { __disable_interrupt(); __watchdog_reset(); /* Start timed sequence */ WDTCR = (1<<WDCE) (1<<WDE); /* Set new prescaler(time-out) value = 64K cycles (~0.5 s) */ WDTCR = (1<<WDE) (1<<WDP2) (1<<WDP0); __enable_interrupt(); } </pre>

- Notes:
1. The example code assumes that the part specific header file is included.
 2. The watchdog timer should be reset before any change of the WDP bits, since a change in the WDP bits can result in a time-out when switching to a shorter time-out period;

7.4.1 Watchdog Timer Control Register - WDTCR

Bit	7	6	5	4	3	2	1	0	
	WDIF	WDIE	WDP3	WDCE	WDE	WDP2	WDP1	WDP0	WDTCR
Read/Write	R/W	R/W	R/W	R/W	R/W	R/W	R/W	R/W	
Initial Value	0	0	0	0	X	0	0	0	

- **Bit 7 - WDIF: Watchdog Interrupt Flag**

This bit is set when a time-out occurs in the watchdog timer and the watchdog timer is configured for interrupt. WDIF is cleared by hardware when executing the corresponding interrupt handling vector. Alternatively, WDIF is cleared by writing a logic one to the flag. When the I-bit in SREG and WDIE are set, the watchdog time-out interrupt is executed.

- **Bit 6 - WDIE: Watchdog Interrupt Enable**

When this bit is written to one and the I-bit in the status register is set, the watchdog interrupt is enabled. If WDE is cleared in combination with this setting, the watchdog timer is in interrupt mode, and the corresponding interrupt is executed if time-out in the watchdog timer occurs.

If WDE is set, the watchdog timer is in interrupt and system reset mode. The first time-out in the watchdog timer will set WDIF. Executing the corresponding interrupt vector will clear WDIE and WDIF automatically by hardware (the watchdog goes to system reset mode). This is useful for keeping the watchdog timer security while using the interrupt. To stay in interrupt and system reset mode, WDIE must be set after each interrupt. This should however not be done within the interrupt service routine itself, as this might compromise the safety-function of the watchdog system reset mode. If the interrupt is not executed before the next time-out, a system reset will be applied.

Table 7-5. Watchdog Timer Configuration

WDTON ⁽¹⁾	WDE	WDIE	Mode	Action on Time-out
1	0	0	Stopped	None
1	0	1	Interrupt mode	Interrupt
1	1	0	System reset mode	Reset
1	1	1	Interrupt and system reset mode	Interrupt, then go to system reset mode
0	x	x	System reset mode	Reset

Note: 1. For the WDTON fuse “1” means unprogrammed while “0” means programmed.

• **Bit 4 - WDCE: Watchdog Change Enable**

This bit is used in timed sequences for changing WDE and prescaler bits. To clear the WDE bit, and/or change the prescaler bits, WDCE must be set.

Once written to one, hardware will clear WDCE after four clock cycles.

• **Bit 3 - WDE: Watchdog System Reset Enable**

WDE is overridden by WDRF in MCUSR. This means that WDE is always set when WDRF is set. To clear WDE, WDRF must be cleared first. This feature ensures multiple resets during conditions causing failure, and a safe start-up after the failure.

• **Bit 5, 2..0 - WDP3..0: Watchdog Timer Prescaler 3, 2, 1 and 0**

The WDP3..0 bits determine the watchdog timer prescaling when the watchdog timer is running. The different prescaling values and their corresponding time-out periods are shown in [Table 7-6 on page 46](#).

Table 7-6. Watchdog Timer Prescale Select

WDP3	WDP2	WDP1	WDP0	Number of WDT Oscillator Cycles	Typical Time-out at V _{CC} = 5.0V
0	0	0	0	2K (2048) cycles	16ms
0	0	0	1	4K (4096) cycles	32ms
0	0	1	0	8K (8192) cycles	64ms
0	0	1	1	16K (16384) cycles	0.125s
0	1	0	0	32K (32768) cycles	0.25s
0	1	0	1	64K (65536) cycles	0.5s
0	1	1	0	128K (131072) cycles	1.0s
0	1	1	1	256K (262144) cycles	2.0s
1	0	0	0	512K (524288) cycles	4.0s
1	0	0	1	1024K (1048576) cycles	8.0s
1	0	1	0	Reserved	
1	0	1	1		
1	1	0	0		
1	1	0	1		
1	1	1	0		
1	1	1	1		
1	1	1	1		

8. Interrupts

This section describes the specifics of the interrupt handling as performed in ATmega16/32/64/M1/C1. For a general explanation of the AVR interrupt handling, refer to [Section 3.8 “Reset and Interrupt Handling” on page 16](#).

8.1 Interrupt Vectors in ATmega16/32/64/M1/C1

Table 8-1. Reset and Interrupt Vectors

Vector No.	Program Address	Source	Interrupt Definition
1	0x0000	RESET	External pin, power-on reset, brown-out reset, watchdog reset, and emulation AVR reset
2	0x0002	ANACOMP 0	Analog comparator 0
3	0x0004	ANACOMP 1	Analog comparator 1
4	0x0006	ANACOMP 2	Analog comparator 2
5	0x0008	ANACOMP 3	Analog comparator 3
6	0x000A	PSC FAULT ⁽³⁾	PSC fault
7	0x000C	PSC EC ⁽³⁾	PSC end of cycle
8	0x000E	INT0	External interrupt request 0
9	0x0010	INT1	External interrupt request 1
10	0x0012	INT2	External interrupt request 2
11	0x0014	INT3	External interrupt request 3
12	0x0016	TIMER1 CAPT	Timer/Counter1 capture event
13	0x0018	TIMER1 COMPA	Timer/Counter1 compare match A
14	0x001A	TIMER1 COMPB	Timer/Counter1 compare match B
15	0x001C	TIMER1 OVF	Timer/Counter1 overflow
16	0x001E	TIMER0 COMPA	Timer/Counter0 compare match A
17	0x0020	TIMER0 COMPB	Timer/Counter0 compare match B
18	0x0022	TIMER0 OVF	Timer/Counter0 overflow
19	0x0024	CAN INT	CAN MOB, burst, general errors
20	0x0026	CAN TOVF	CAN timer overflow
21	0x0028	LIN TC	LIN transfer complete
22	0x002A	LIN ERR	LIN error
23	0x002C	PCINT0	Pin change interrupt request 0
24	0x002E	PCINT1	Pin change interrupt request 1
25	0x0030	PCINT2	Pin change interrupt request 2
26	0x0032	PCINT3	Pin change interrupt request 3
27	0x0034	SPI, STC	SPI serial transfer complete
28	0x0036	ADC	ADC conversion complete
29	0x0038	WDT	Watchdog time-Out interrupt
30	0x003A	EE READY	EEPROM ready
31	0x003C	SPM READY	Store program memory ready

Notes:

1. When the BOOTRST fuse is programmed, the device will jump to the boot loader address at reset, see [Section 24. “Boot Loader Support – Read-while-write Self-Programming ATmega16/32/64/M1/C1” on page 241](#).
2. When the IVSEL bit in MCUCR is set, interrupt vectors will be moved to the start of the boot flash section. The address of each interrupt vector will then be the address in this table added to the start address of the boot flash section.
3. These vectors are not used by Atmel ATmega32/64C1.

Table 8-2 shows reset and Interrupt Vectors placement for the various combinations of BOOTRST and IVSEL settings. If the program never enables an interrupt source, the interrupt vectors are not used, and regular program code can be placed at these locations. This is also the case if the reset vector is in the application section while the interrupt vectors are in the boot section or vice versa.

Table 8-2. Reset and Interrupt Vectors Placement in ATmega16/32/64/M1/C1⁽¹⁾

BOOTRST	IVSEL	Reset Address	Interrupt Vectors Start Address
1	0	0x000	0x001
1	1	0x000	Boot reset address + 0x002
0	0	Boot reset address	0x001
0	1	Boot reset address	Boot reset address + 0x002

Note: 1. The boot reset address is shown in Table 24-4 on page 244. For the BOOTRST fuse “1” means unprogrammed while “0” means programmed.

The most typical and general program setup for the Reset and Interrupt Vector Addresses in ATmega16/32/64/M1/C1 is:

Address	Labels	Code	Comments
0x000		jmp RESET	; Reset Handler
0x002		jmp ANA_COMP_0	; analog comparator 0 Handler
0x004		jmp ANA_COMP_1	; analog comparator 1 Handler
0x006		jmp ANA_COMP_2	; analog comparator 2 Handler
0x008		jmp ANA_COMP_3	; analog comparator 3 Handler
0x00A		jmp PSC_FAULT	; PSC Fault Handler
0x00C		jmp PSC_EC	; PSC End of Cycle Handler
0x00E		jmp EXT_INT0	; IRQ0 Handler
0x010		jmp EXT_INT1	; IRQ1 Handler
0x012		jmp EXT_INT2	; IRQ2 Handler
0x014		jmp EXT_INT3	; IRQ3 Handler
0x016		jmp TIM1_CAPT	; Timer1 Capture Handler
0x018		jmp TIM1_COMPA	; Timer1 Compare A Handler
0x01A		jmp TIM1_COMPB	; Timer1 Compare B Handler
0x01C		jmp TIM1_OVF	; Timer1 Overflow Handler
0x01E		jmp TIM0_COMPA	; Timer0 Compare A Handler
0x020		jmp TIM0_COMPB	; Timer0 Compare B Handler
0x022		jmp TIM0_OVF	; Timer0 Overflow Handler
0x024		jmp CAN_INT	; CAN MOB,Burst,General Errors Handler
0x026		jmp CAN_TOVF	; CAN Timer Overflow Handler
0x028		jmp LIN_TC	; LIN Transfer Complete Handler
0x02A		jmp LIN_ERR	; LIN Error Handler
0x02C		jmp PCINT0	; Pin Change Int Request 0 Handler
0x02E		jmp PCINT1	; Pin Change Int Request 1 Handler
0x030		jmp PCINT2	; Pin Change Int Request 2 Handler
0x032		jmp PCINT3	; Pin Change Int Request 3 Handler
0x034		jmp SPI_STC	; SPI Transfer Complete Handler
0x036		jmp ADC	; ADC Conversion Complete Handler
0x038		jmp WDT	; Watchdog Timer Handler
0x03A		jmp EE_RDY	; EEPROM Ready Handler
0x03C		jmp SPM_RDY	; Store Program Memory Ready Handler
		;	
0x03E	RESET:	ldi r16, high(RAMEND)	; Main program start
0x03F		out SPH,r16	; Set Stack Pointer to top of RAM
0x040		ldi r16, low(RAMEND)	
0x041		out SPL,r16	
0x042		sei	; Enable interrupts
0x043		<instr> xxx	
...

When the BOOTRST fuse is unprogrammed, the Boot section size set to 2K bytes and the IVSEL bit in the MCUCR register is set before any interrupts are enabled, the most typical and general program setup for the reset and interrupt vector addresses in ATmega16/32/64/M1/C1 is:

```

Address      Labels Code      Comments
0x000 RESET: ldi    r16,high(RAMEND) ; Main program start
0x001      out    SPH,r16      ; Set Stack Pointer to top of RAM
0x002      ldi    r16,low(RAMEND)
0x003      out    SPL,r16
0x004      sei                      ; Enable interrupts
0x005      <instr> xxx
;
.org 0xC02
0xC02      jmp    ANA_COMP_0      ; analog comparator 0 Handler
0xC04      jmp    ANA_COMP_1      ; analog comparator 1 Handler
...        ...        ...
0xC3C      jmp    SPM_RDY        ; Store Program Memory Ready Handler

```

When the BOOTRST fuse is programmed and the boot section size set to 2Kbytes, the most typical and general program setup for the reset and interrupt vector addresses in ATmega16/32/64/M1/C1 is:

```

Address      Labels Code      Comments
.org 0x002
0x002      jmp    ANA_COMP_0      ; analog comparator 0 Handler
0x004      jmp    ANA_COMP_1      ; analog comparator 1 Handler
...        ...        ...
0x03C      jmp    SPM_RDY        ; Store Program Memory Ready Handler
;
.org 0xC00
0xC00 RESET: ldi    r16,high(RAMEND) ; Main program start
0xC01      out    SPH,r16      ; Set Stack Pointer to top of RAM
0xC02      ldi    r16,low(RAMEND)
0xC03      out    SPL,r16
0xC04      sei                      ; Enable interrupts
0xC05      <instr> xxx

```

When the BOOTRST fuse is programmed, the boot section size set to 2Kbytes and the IVSEL bit in the MCUCR register is set before any interrupts are enabled, the most typical and general program setup for the reset and interrupt vector addresses in ATmega16/32/64/M1/C116/32 is:

```

Address      Labels Code      Comments
;
.org 0xC00
0xC00      jmp    RESET          ; Reset handler
0xC02      jmp    ANA_COMP_0      ; analog comparator 0 Handler
0xC04      jmp    ANA_COMP_1      ; analog comparator 1 Handler
...        ...        ...
0xC3C      jmp    SPM_RDY        ; Store Program Memory Ready Handler
;
0xC3E RESET: ldi    r16,high(RAMEND) ; Main program start
0xC3F      out    SPH,r16      ; Set Stack Pointer to top of RAM
0xC40      ldi    r16,low(RAMEND)
0xC41      out    SPL,r16
0xC42      sei                      ; Enable interrupts
0xC43      <instr> xxx

```

8.1.1 Moving Interrupts Between Application and Boot Space

The MCU control register controls the placement of the interrupt vector table.

8.1.2 MCU Control Register – MCUCR

Bit	7	6	5	4	3	2	1	0	
	SPIPS	–	–	PUD	–	–	IVSEL	IVCE	MCUCR
Read/Write	R/W	R	R	R/W	R	R	R/W	R/W	
Initial Value	0	0	0	0	0	0	0	0	

• Bit 1 – IVSEL: Interrupt Vector Select

When the IVSEL bit is cleared (zero), the Interrupt Vectors are placed at the start of the flash memory. When this bit is set (one), the interrupt vectors are moved to the beginning of the boot loader section of the flash. The actual address of the start of the boot flash section is determined by the BOOTSZ fuses. Refer to [Section 24. “Boot Loader Support – Read-while-write Self-Programming ATmega16/32/64/M1/C1” on page 241](#) for details. To avoid unintentional changes of Interrupt vector tables, a special write procedure must be followed to change the IVSEL bit:

1. Write the interrupt vector change enable (IVCE) bit to one.
2. Within four cycles, write the desired value to IVSEL while writing a zero to IVCE.

Interrupts will automatically be disabled while this sequence is executed. Interrupts are disabled in the cycle IVCE is set, and they remain disabled until after the instruction following the write to IVSEL. If IVSEL is not written, interrupts remain disabled for four cycles. The I-bit in the status register is unaffected by the automatic disabling.

Note: If interrupt vectors are placed in the boot loader section and boot lock bit BLB02 is programmed, interrupts are disabled while executing from the application section. If interrupt vectors are placed in the application section and boot lock bit BLB12 is programmed, interrupts are disabled while executing from the boot loader section. Refer to [Section 24. “Boot Loader Support – Read-while-write Self-Programming ATmega16/32/64/M1/C1” on page 241](#) for details on boot lock bits.

• Bit 0 – IVCE: Interrupt Vector Change Enable

The IVCE bit must be written to logic one to enable change of the IVSEL bit. IVCE is cleared by hardware four cycles after it is written or when IVSEL is written. Setting the IVCE bit will disable interrupts, as explained in the IVSEL description above. See code example below.

Assembly Code Example

```
Move_interrupts:
    ; Enable change of Interrupt Vectors
    ldi    r16, (1<<IVCE)
    out   MCUCR, r16
    ; Move interrupts to Boot Flash section
    ldi    r16, (1<<IVSEL)
    out   MCUCR, r16
    ret
```

C Code Example

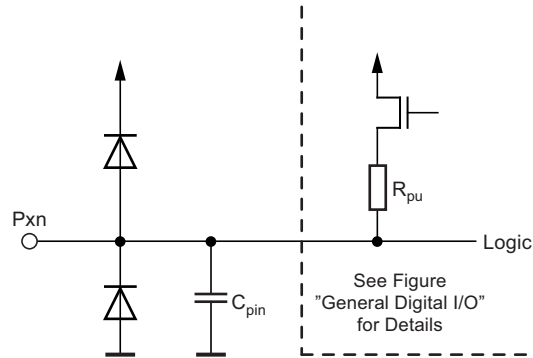
```
void Move_interrupts(void)
{
    /* Enable change of Interrupt Vectors */
    MCUCR = (1<<IVCE);
    /* Move interrupts to Boot Flash section */
    MCUCR = (1<<IVSEL);
}
```

9. I/O-Ports

9.1 Introduction

All AVR[®] ports have true read-modify-write functionality when used as general digital I/O ports. This means that the direction of one port pin can be changed without unintentionally changing the direction of any other pin with the SBI and CBI instructions. The same applies when changing drive value (if configured as output) or enabling/disabling of pull-up resistors (if configured as input). Each output buffer has symmetrical drive characteristics with both high sink and source capability. All port pins have individually selectable pull-up resistors with a supply-voltage invariant resistance. All I/O pins have protection diodes to both V_{CC} and ground as indicated in Figure 9-1. Refer to Section 26. “Electrical Characteristics” on page 273 for a complete list of parameters.

Figure 9-1. I/O Pin Equivalent Schematic



All registers and bit references in this section are written in general form. A lower case “x” represents the numbering letter for the port, and a lower case “n” represents the bit number. However, when using the register or bit defines in a program, the precise form must be used. For example, PORTB3 for bit no. 3 in Port B, here documented generally as PORTxn. The physical I/O registers and bit locations are listed in “Register Description for I/O-Ports”.

Three I/O memory address locations are allocated for each port, one each for the data register – PORTx, data direction register – DDRx, and the port input pins – PINx. The port input pins I/O location is read only, while the data register and the data direction register are read/write. However, writing a logic one to a bit in the PINx register, will result in a toggle in the corresponding bit in the data register. In addition, the pull-up disable – PUD bit in MCUCR disables the pull-up function for all pins in all ports when set.

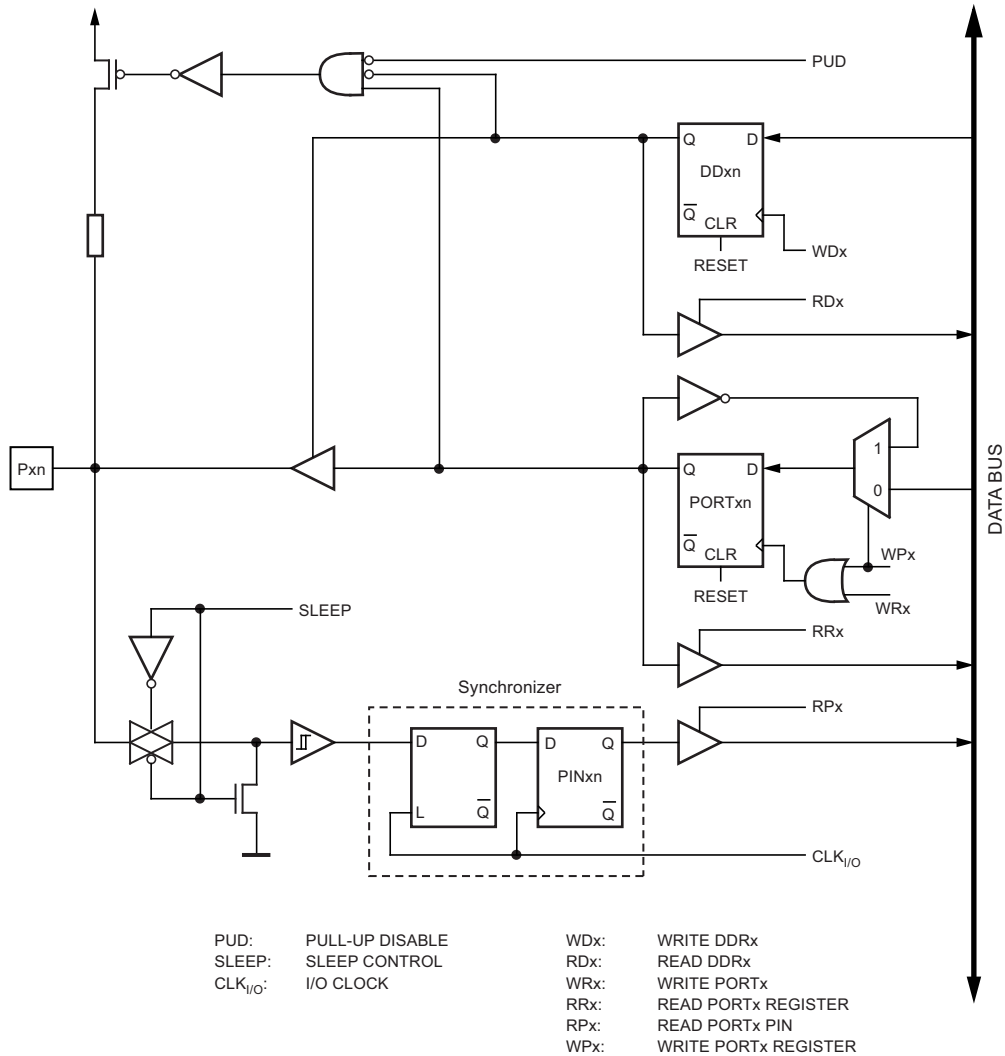
Using the I/O port as general digital I/O is described in “Ports as General Digital I/O”. Most port pins are multiplexed with alternate functions for the peripheral features on the device. How each alternate function interferes with the port pin is described in Section 9.3 “Alternate Port Functions” on page 55. Refer to the individual module sections for a full description of the alternate functions.

Note that enabling the alternate function of some of the port pins does not affect the use of the other pins in the port as general digital I/O.

9.2 Ports as General Digital I/O

The ports are bi-directional I/O ports with optional internal pull-ups. Figure 9-2 shows a functional description of one I/O-port pin, here generically called Pxn.

Figure 9-2. General Digital I/O⁽¹⁾



Note: 1. WRx, WPx, WDx, RRx, RPx, and RDx are common to all pins within the same port. clk_{I/O}, SLEEP, and PUD are common to all ports.

9.2.1 Configuring the Pin

Each port pin consists of three register bits: DDxn, PORTxn, and PINxn. As shown in Section 9.4 “Register Description for I/O-Ports” on page 68, the DDxn bits are accessed at the DDRx I/O address, the PORTxn bits at the PORTx I/O address, and the PINxn bits at the PINx I/O address.

The DDxn bit in the DDRx register selects the direction of this pin. If DDxn is written logic one, Pxn is configured as an output pin. If DDxn is written logic zero, Pxn is configured as an input pin.

If PORTxn is written logic one when the pin is configured as an input pin, the pull-up resistor is activated. To switch the pull-up resistor off, PORTxn has to be written logic zero or the pin has to be configured as an output pin.

The port pins are tri-stated when reset condition becomes active, even if no clocks are running.

If PORTxn is written logic one when the pin is configured as an output pin, the port pin is driven high (one). If PORTxn is written logic zero when the pin is configured as an output pin, the port pin is driven low (zero).

9.2.2 Toggling the Pin

Writing a logic one to PIN_{xn} toggles the value of PORT_{xn}, independent on the value of DDR_{xn}. Note that the SBI instruction can be used to toggle one single bit in a port.

9.2.3 Switching Between Input and Output

When switching between tri-state ({DDR_{xn}, PORT_{xn}} = 0b00) and output high ({DDR_{xn}, PORT_{xn}} = 0b11), an intermediate state with either pull-up enabled {DDR_{xn}, PORT_{xn}} = 0b01) or output low ({DDR_{xn}, PORT_{xn}} = 0b10) must occur. Normally, the pull-up enabled state is fully acceptable, as a high-impedant environment will not notice the difference between a strong high driver and a pull-up. If this is not the case, the PUD bit in the MCUCR Register can be set to disable all pull-ups in all ports.

Switching between input with pull-up and output low generates the same problem. The user must use either the tri-state ({DDR_{xn}, PORT_{xn}} = 0b00) or the output high state ({DDR_{xn}, PORT_{xn}} = 0b11) as an intermediate step.

Table 9-1 summarizes the control signals for the pin value.

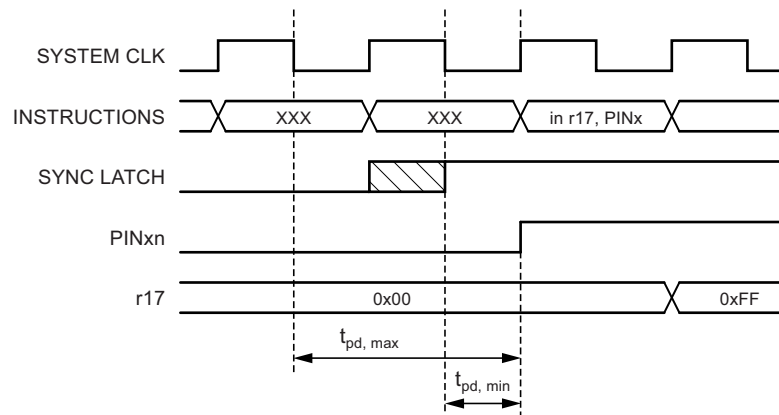
Table 9-1. Port Pin Configurations

DD _{xn}	PORT _{xn}	PUD (in MCUCR)	I/O	Pull-up	Comment
0	0	X	Input	No	Default configuration after reset. Tri-state (Hi-Z)
0	1	0	Input	Yes	P _{xn} will source current if ext. pulled low.
0	1	1	Input	No	Tri-state (Hi-Z)
1	0	X	Output	No	Output low (sink)
1	1	X	Output	No	Output high (source)

9.2.4 Reading the Pin Value

Independent of the setting of data direction bit DD_{xn}, the port pin can be read through the PIN_{xn} register bit. As shown in Figure 9-2, the PIN_{xn} register bit and the preceding latch constitute a synchronizer. This is needed to avoid metastability if the physical pin changes value near the edge of the internal clock, but it also introduces a delay. Figure 9-3 shows a timing diagram of the synchronization when reading an externally applied pin value. The maximum and minimum propagation delays are denoted $t_{pd,max}$ and $t_{pd,min}$ respectively.

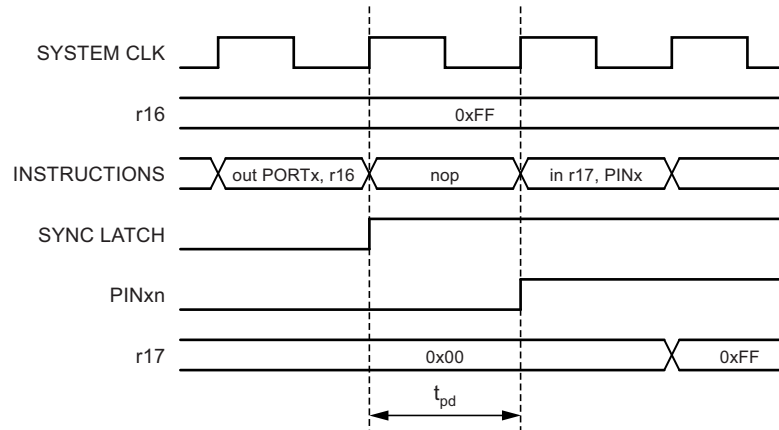
Figure 9-3. Synchronization when Reading an Externally Applied Pin Value



Consider the clock period starting shortly after the first falling edge of the system clock. The latch is closed when the clock is low, and goes transparent when the clock is high, as indicated by the shaded region of the “SYNC LATCH” signal. The signal value is latched when the system clock goes low. It is clocked into the PIN_{xn} register at the succeeding positive clock edge. As indicated by the two arrows $t_{pd,max}$ and $t_{pd,min}$, a single signal transition on the pin will be delayed between $\frac{1}{2}$ and $1\frac{1}{2}$ system clock period depending upon the time of assertion.

When reading back a software assigned pin value, a nop instruction must be inserted as indicated in Figure 9-4. The out instruction sets the “SYNC LATCH” signal at the positive edge of the clock. In this case, the delay t_{pd} through the synchronizer is 1 system clock period.

Figure 9-4. Synchronization when Reading a Software Assigned Pin Value



The following code example shows how to set port B pins 0 and 1 high, 2 and 3 low, and define the port pins from 4 to 7 as input with pull-ups assigned to port pins 6 and 7. The resulting pin values are read back again, but as previously discussed, a nop instruction is included to be able to read back the value recently assigned to some of the pins.

Assembly Code Example⁽¹⁾

```

...
; Define pull-ups and set outputs high
; Define directions for port pins
ldi    r16, (1<<PB7)|(1<<PB6)|(1<<PB1)|(1<<PB0)
ldi    r17, (1<<DDB3)|(1<<DDB2)|(1<<DDB1)|(1<<DDB0)
out    PORTB, r16
out    DDRB, r17
; Insert nop for synchronization
nop
; Read port pins
in     r16, PINB
...

```

C Code Example

```

unsigned char i;
...
/* Define pull-ups and set outputs high */
/* Define directions for port pins */
PORTB = (1<<PB7)|(1<<PB6)|(1<<PB1)|(1<<PB0);
DDRB = (1<<DDB3)|(1<<DDB2)|(1<<DDB1)|(1<<DDB0);
/* Insert nop for synchronization*/
_NOP();
/* Read port pins */
i = PINB;
...

```

Note: 1. For the assembly program, two temporary registers are used to minimize the time from pull-ups are set on pins 0, 1, 6, and 7, until the direction bits are correctly set, defining bit 2 and 3 as low and redefining bits 0 and 1 as strong high drivers.

9.2.5 Digital Input Enable and Sleep Modes

As shown in [Figure 9-2](#), the digital input signal can be clamped to ground at the input of the schmitt-trigger. The signal denoted SLEEP in the figure, is set by the MCU sleep controller in power-down mode, power-save mode, and standby mode to avoid high power consumption if some input signals are left floating, or have an analog signal level close to $V_{CC}/2$.

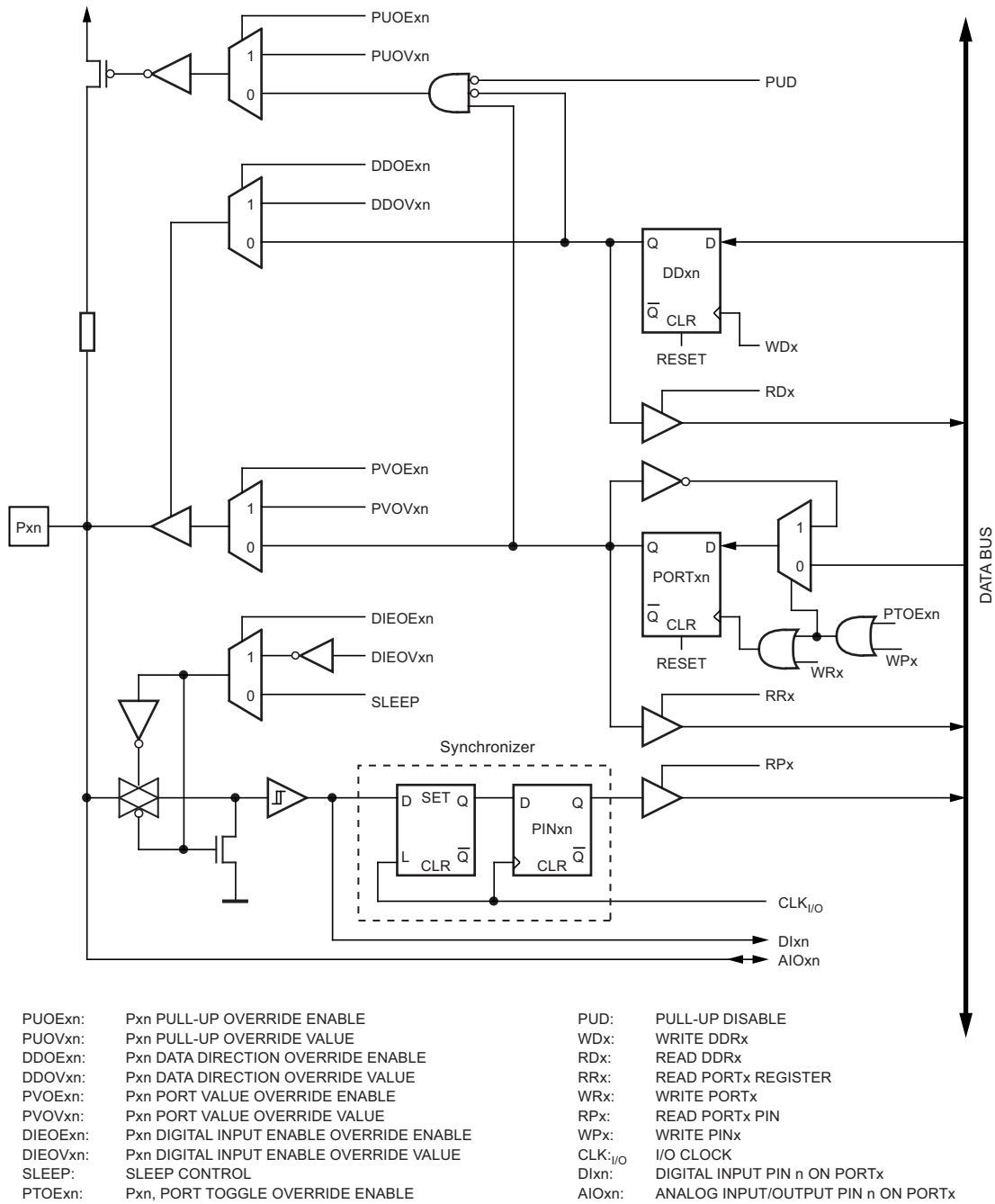
SLEEP is overridden for port pins enabled as external interrupt pins. If the external interrupt request is not enabled, SLEEP is active also for these pins. SLEEP is also overridden by various other alternate functions as described in [Section 9.3 “Alternate Port Functions” on page 55](#).

If a logic high level (“one”) is present on an asynchronous external interrupt pin configured as “Interrupt on Rising Edge, Falling Edge, or Any Logic Change on Pin” while the external interrupt is not enabled, the corresponding external interrupt flag will be set when resuming from the above mentioned sleep modes, as the clamping in these sleep modes produces the requested logic change.

9.3 Alternate Port Functions

Most port pins have alternate functions in addition to being general digital I/Os. [Figure 9-5](#) shows how the port pin control signals from the simplified [Figure 9-2](#) can be overridden by alternate functions. The overriding signals may not be present in all port pins, but the figure serves as a generic description applicable to all port pins in the AVR[®] microcontroller family.

Figure 9-5. Alternate Port Functions⁽¹⁾



Note: 1. WRx, WPx, WDx, RRx, RPx, and RDx are common to all pins within the same port. clk_{I/O}, SLEEP, and PUD are common to all ports. All other signals are unique for each pin.

Table 9-2 summarizes the function of the overriding signals. The pin and port indexes from Figure 9-5 on page 56 are not shown in the succeeding tables. The overriding signals are generated internally in the modules having the alternate function.

Table 9-2. Generic Description of Overriding Signals for Alternate Functions

Signal Name	Full Name	Description
PUE	Pull-up override enable	If this signal is set, the pull-up enable is controlled by the PUEV signal. If this signal is cleared, the pull-up is enabled when {DDxn, PORTxn, PUD} = 0b010.
PUEV	Pull-up override value	If PUE is set, the pull-up is enabled/disabled when PUEV is set/cleared, regardless of the setting of the DDxn, PORTxn, and PUD register bits.
DOE	Data direction override enable	If this signal is set, the output driver enable is controlled by the DOV signal. If this signal is cleared, the output driver is enabled by the DDxn register bit.
DOV	Data direction override value	If DOE is set, the output driver is enabled/disabled when DOV is set/cleared, regardless of the setting of the DDxn register bit.
PVE	Port value override enable	If this signal is set and the output driver is enabled, the port value is controlled by the PVEV signal. If PVE is cleared, and the output driver is enabled, the port value is controlled by the PORTxn register bit.
PVEV	Port value override value	If PVE is set, the port value is set to PVEV, regardless of the setting of the PORTxn register bit.
PTOE	Port toggle override enable	If PTOE is set, the PORTxn register bit is inverted.
DIEOE	Digital input enable override enable	If this bit is set, the digital input enable is controlled by the DIEOV signal. If this signal is cleared, the digital input enable is determined by MCU state (normal mode, sleep mode).
DIEOV	Digital input enable override value	If DIEOE is set, the digital Input is enabled/disabled when DIEOV is set/cleared, regardless of the MCU state (normal mode, sleep mode).
DI	Digital Input	This is the digital input to alternate functions. In the figure, the signal is connected to the output of the schmitt trigger but before the synchronizer. Unless the digital input is used as a clock source, the module with the alternate function will use its own synchronizer.
AIO	Analog input/output	This is the analog input/output to/from alternate functions. The signal is connected directly to the pad, and can be used bi-directionally.

The following subsections shortly describe the alternate functions for each port, and relate the overriding signals to the alternate function. Refer to the alternate function description for further details.

9.3.1 MCU Control Register – MCUCR

Bit	7	6	5	4	3	2	1	0	
	SPIPS	–	–	PUD	–	–	IVSEL	IVCE	MCUCR
Read/Write	R/W	R	R	R/W	R	R	R/W	R/W	
Initial Value	0	0	0	0	0	0	0	0	

- **Bit 4 – PUD: Pull-up Disable**

When this bit is written to one, the pull-ups in the I/O ports are disabled even if the DDxn and PORTxn registers are configured to enable the pull-ups ({DDxn, PORTxn} = 0b01).

9.3.2 Alternate Functions of Port B

The Port B pins with alternate functions are shown in [Table 9-3](#).

Table 9-3. Port B Pins Alternate Functions

Port Pin	Alternate Functions
PB7	PSCOUT0B (PSC output 0B) ADC4 (Analog Input Channel 4) SCK (SPI Bus Serial Clock) PCINT7 (Pin Change Interrupt 7)
PB6	ADC7 (Analog Input Channel 7) PSCOUT1B (PSC output 1B) PCINT6 (Pin Change Interrupt 6)
PB5	ADC6 (Analog Input Channel 6) INT2 (External Interrupt 2) ACMPN1 (analog comparator 1 Negative Input) AMP2- (Analog Differential Amplicator 2 Negative Input) PCINT5 (Pin Change Interrupt 5)
PB4	AMP0+ (Analog Differential Amplifier 0 Positive Input) PCINT4 (Pin Change Interrupt 4)
PB3	AMP0- (Analog Differential Amplifier 0 Negative Input) PCINT3 (Pin Change Interrupt 3)
PB2	ADC5 (Analog Input Channel5) INT1 (External Interrupt 1) ACMPN0 (analog comparator 0 Negative Input) PCINT2 (Pin Change Interrupt 2)
PB1	MOSI (SPI Master Out Slave In) PSCOUT2B (PSC output 2B) PCINT1 (Pin Change Interrupt 1)
PB0	MISO (SPI Master In Slave Out) PSCOUT2A (PSC output 2A) PCINT0 (Pin Change Interrupt 0)

The alternate pin configuration is as follows:

- **ADC4/PSCOUT0B/SCK/PCINT7 – Bit 7**

PSCOUT0B, output 0B of PSC.

ADC4, analog to digital converter, input channel 4.

SCK, master clock output, slave clock input pin for SPI channel. When the SPI is enabled as a slave, this pin is configured as an input regardless of the setting of DDB7. When the SPI is enabled as a master, the data direction of this pin is controlled by DDB7. When the pin is forced to be an input, the pull-up can still be controlled by the PORTB7 bit.

PCINT7, pin change interrupt 7.

- **ADC7/PSCOUT1B/PCINT6 – Bit 6**

ADC7, analog to digital converter, input channel 7.

PSCOUT1B, output 1B of PSC.

PCINT6, pin change interrupt 6.

- **ADC6/ $\overline{\text{INT2}}$ /ACMPN1/AMP2-/PCINT5 – Bit 5**

ADC6, analog to digital converter, input channel 6.

INT2, external interrupt source 2. This pin can serve as an External Interrupt source to the MCU.

ACMPN1, analog comparator 1 negative input. Configure the port pin as input with the internal pull-up switched off to avoid the digital port function from interfering with the function of the analog comparator.

PCINT5, pin change interrupt 5.

- **APM0+/PCINT4 – Bit 4**

AMP0+, analog differential amplifier 0 positive input channel.

PCINT4, pin change interrupt 4.

- **AMP0-/PCINT3 – Bit 3**

AMP0-, analog differential amplifier 0 negative input channel. Configure the port pin as input with the internal pull-up switched off to avoid the digital port function from interfering with the function of the analog amplifier.

PCINT3, pin change interrupt 3.

- **ADC5/ $\overline{\text{INT1}}$ /ACMPN0/PCINT2 – Bit 2**

ADC5, analog to digital converter, input channel 5.

INT1, external interrupt source 1. This pin can serve as an external interrupt source to the MCU.

ACMPN0, analog comparator 0 negative input. Configure the port pin as input with the internal pull-up switched off to avoid the digital port function from interfering with the function of the analog comparator.

PCINT2, pin change interrupt 2.

- **PCINT1/MOSI/PSCOUT2B – Bit 1**

MOSI: SPI master data output, slave data input for SPI channel. When the SPI is enabled as a slave, this pin is configured as an input regardless of the setting of DDB1. When the SPI is enabled as a master, the data direction of this pin is controlled by DDB1. When the pin is forced to be an input, the pull-up can still be controlled by the PORTB1 and PUD bits.

PSCOUT2B, output 2B of PSC.

PCINT1, pin change interrupt 1.

- **PCINT0/MISO/PSCOUT2A – Bit 0**

MISO, master data input, slave data output pin for SPI channel. When the SPI is enabled as a master, this pin is configured as an input regardless of the setting of DDB0. When the SPI is enabled as a slave, the data direction of this pin is controlled by DDB0. When the pin is forced to be an input, the pull-up can still be controlled by the PORTB0 and PUD bits.

PSCOUT2A, output 2A of PSC.

PCINT0, pin change interrupt 0.

Table 9-4 and Table 9-5 relates the alternate functions of Port B to the overriding signals shown in Figure 9-5 on page 56.

Table 9-4. Overriding Signals for Alternate Functions in PB7..PB4

Signal Name	PB7/ADC4/ PSCOUT0B/SCK/ PCINT7	PB6/ADC7/ PSCOUT1B/ PCINT6	PB5/ADC6/ INT2/ACMPN1/ AMP2-/PCINT5	PB4/AMP0+/ PCINT4
PUOE	$SPE \times \overline{MSTR} \times \overline{SPIPS}$	0	0	0
PUOV	$PB7 \times \overline{PUD} \times \overline{SPIPS}$	0	0	0
DDOE	$SPE \times \overline{MSTR} \times \overline{SPIPS} +$ PSCen01	PSCen11	0	0
DDOV	PSCen01	1	0	0
PVOE	$SPE \times \overline{MSTR} \times \overline{SPIPS}$	PSCen11	0	0
PVOV	$PSCout01 \times \overline{SPIPS} + PSCout01 \times$ $PSCen01 \times \overline{SPIPS}$ $+ PSCout01 \times PSCen01 \times \overline{SPIPS}$	PSCOUT11	0	0
DIEOE	ADC4D	ADC7D	ADC6D + In2en	AMP0ND
DIEOV	0	0	In2en	0
DI	$SCKin \times \overline{SPIPS} \times \overline{ireset}$	ICP1B	INT2	
AIO	ADC4	ADC7	ADC6	AMP0+

Table 9-5. Overriding Signals for Alternate Functions in PB3..PB0

Signal Name	PB3/AMP0-/ PCINT3	PB2/ADC5/INT1/ ACMPN0/PCINT2	PB1/MOSI/ PSCOUT2B/ PCINT1	PB0/MISO/ PSCOUT2A/ PCINT0
PUOE	0	0	–	–
PUOV	0	0	–	–
DDOE	0	0	–	–
DDOV	0	0	–	–
PVOE	0	0	–	–
PVOV	0	0	–	–
DIEOE	AMP0ND	ADC5D + In1en	0	0
DIEOV	0	In1en	0	0
DI		INT1	$\overline{MOSI_IN} \times \overline{SPIPS} \times$ \overline{ireset}	$\overline{MISO_IN} \times \overline{SPIPS} \times$ \overline{ireset}
AIO	AMP0-	ADC5	–	–

9.3.3 Alternate Functions of Port C

The Port C pins with alternate functions are shown in [Table 9-6](#).

Table 9-6. Port C Pins Alternate Functions

Port Pin	Alternate Function
PC7	D2A (DAC output) AMP2+ (Analog Differential Amplifier 2 Positive Input) PCINT15 (Pin Change Interrupt 15)
PC6	ADC10 (Analog Input Channel 10) ACMP1 (analog comparator 1 Positive Input) PCINT14 (Pin Change Interrupt 14)
PC5	ADC9 (Analog Input Channel 9) AMP1+ (Analog Differential Amplifier 1 Input Channel) ACMP3 (Analog Comparator 3 Positive Input) PCINT13 (Pin Change Interrupt 13)
PC4	ADC8 (Analog Input Channel 8) AMP1- (Analog Differential Amplifier 1 Input Channel) ACMPN3 (Analog Comparator 3 Negative Input) PCINT12 (Pin Change Interrupt 12)
PC3	T1 (Timer 1 clock input) RXCAN (CAN Rx Data) ICP1B (Timer 1 Input Capture Alternate Input) PCINT11 (Pin Change Interrupt 11)
PC2	T0 (Timer 0 clock input) TXCAN (CAN Tx Data) PCINT10 (Pin Change Interrupt 10)
PC1	PSCIN1 (PSC 1 Digital Input) OC1B (Timer 1 Output Compare B) SS_A (Alternate SPI Slave Select) PCINT9 (Pin Change Interrupt 9)
PC0	PSCOUT1A (PSC output 2A) INT3 (External Interrupt 3) PCINT8 (Pin Change Interrupt 8)

Note: On the engineering samples (Parts marked AT90PWM324), the ACMPN3 alternate function is not located on PC4. It is located on PE2.

The alternate pin configuration is as follows:

- **D2A/AMP2+/PCINT15 – Bit 7**

D2A, digital to analog output

AMP2+, analog differential amplifier 2 positive input. Configure the port pin as input with the internal pull-up switched off to avoid the digital port function from interfering with the function of the amplifier.

PCINT15, pin change interrupt 15.

- **ADC10/ACMP1/PCINT14 – Bit 6**

ADC10, analog to digital converter, input channel 10.

ACMP1, analog comparator 1 positive input. Configure the port pin as input with the internal pull-up switched off to avoid the digital port function from interfering with the function of the analog comparator.

PCINT14, pin change interrupt 14.

- **ADC9/ACMP3/AMP1+/PCINT13 – Bit 5**

ADC9, analog to digital converter, input channel 9.

ACMP3, analog comparator 3 positive input. Configure the port pin as input with the internal pull-up switched off to avoid the digital port function from interfering with the function of the analog comparator.

AMP1+, analog differential amplifier 1 positive input channel. Configure the port pin as input with the internal pull-up switched off to avoid the digital port function from interfering with the function of the analog amplifier.

PCINT13, pin change interrupt 13.

- **ADC8/AMP1-/ACMPN3/PCINT12 – Bit 4**

ADC8, analog to digital converter, input channel 8.

AMP1-, analog differential amplifier 1 negative input channel. Configure the port pin as input with the internal pull-up switched off to avoid the digital port function from interfering with the function of the analog amplifier.

ACMPN3, analog comparator 3 negative input. Configure the port pin as input with the internal pull-up switched off to avoid the digital port function from interfering with the function of the analog comparator.

PCINT12, pin change interrupt 12.

- **PCINT11/T1/RXCAN/ICP1B – Bit 3**

T1, Timer/Counter1 counter source.

RXCAN, CAN Rx data.

ICP1B, input capture pin: The PC3 pin can act as an input capture pin for Timer/Counter1.

PCINT11, pin change interrupt 11.

- **PCINT10/T0/TXCAN – Bit 2**

T0, Timer/Counter0 counter source.

TXCAN, CAN Tx data.

PCINT10, pin change interrupt 10.

- **PCINT9/PSCIN1/OC1B/SS_A – Bit 1**

PSCIN1, PSC 1 digital input.

OC1B, output compare match B output: This pin can serve as an external output for the Timer/Counter1 output compare B. The pin has to be configured as an output (DDC1 set "one") to serve this function. This pin is also the output pin for the PWM mode timer function.

$\overline{SS_A}$: Slave port select input. When the SPI is enabled as a slave, this pin is configured as an input regardless of the setting of DDD0. As a slave, the SPI is activated when this pin is driven low. When the SPI is enabled as a master, the data direction of this pin is controlled by DDD0. When the pin is forced to be an input, the pull-up can still be controlled by the PORTD0 bit.

PCINT9, pin change interrupt 9.

- **PCINT8/PSCOUT1A/INT3 – Bit 0**

PSCOUT1A, output 1A of PSC.

INT3, external interrupt source 3: This pin can serve as an external interrupt source to the MCU.

PCINT8, pin change interrupt 8.

Table 9-7 and Table 9-8 relate the alternate functions of port C to the overriding signals shown in Figure 9-5 on page 56.

Table 9-7. Overriding Signals for Alternate Functions in PC7..PC4

Signal Name	PC7/D2A/AMP2+/ PCINT15	PC6/ADC10/ ACMP1/ PCINT14	PC5/ADC9/ AMP1+/ACMP3/ PCINT13	PC4/ADC8/ AMP1-/ACMPN3/ PCINT12
PUOE	0	0	0	
PUOV	0	0	0	
DDOE	DAEN	0	0	0
DDOV	0	0	0	0
PVOE	0	0	0	–
PVOV	0	0	0	–
DIEOE	DAEN	ADC10D	ADC9D	ADC8D
DIEOV	0	0	0	0
DI				
AIO	–	ADC10 Amp1	ADC9 Amp1+	ADC8 Amp1- ACMPN3

Table 9-8. Overriding Signals for Alternate Functions in PC3..PC0

Signal Name	PC3/T1/RXCAN/ ICP1B/PCINT11	PC2/T0/TXCAN/ PCINT10	PC1/PSCIN1/ OC1B/SS_A/ PCINT9	PC0/INT3/ PSCOUT1A/ PCINT8
PUOE	0	0	0	0
PUOV	0	0	0	0
DDOE			0	PSCen10
DDOV	1	1	0	1
PVOE			OC1Ben	PSCen10
PVOV			OC1B	PSCout10
DIEOE				In3en
DIEOV				In3en
DI	T1	T0	PSCin1 SS_A	INT3
AIO				

9.3.4 Alternate Functions of Port D

The Port D pins with alternate functions are shown in [Table 9-9](#).

Table 9-9. Port D Pins Alternate Functions

Port Pin	Alternate Function
PD7	ACMP0 (Analog Comparator 0 Positive Input) PCINT23 (Pin Change Interrupt 23)
PD6	ADC3 (Analog Input Channel 3) ACMPN2 (Analog Comparator 2 Negative Input) INT0 (External Interrupt 0) PCINT22 (Pin Change Interrupt 22)
PD5	ADC2 (Analog Input Channel 2) ACMP2 (Analog Comparator 2 Positive Input) PCINT21 (Pin Change Interrupt 21)
PD4	ADC1 (Analog Input Channel 1) RXD/RXLIN (LIN/UART Rx Data) ICP1A (Timer 1 Input Capture) SCK_A (Programming and Alternate SPI Clock) PCINT20 (Pin Change Interrupt 20)
PD3	TXD/TXLIN (LIN/UART Tx Data) OC0A (Timer 0 Output Compare A) SS (SPI Slave Select) MOSI_A (Programming and Alternate SPI Master Out Slave In) PCINT19 (Pin Change Interrupt 19)
PD2	PSCIN2 (PSC Digital Input 2) OC1A (Timer 1 Output Compare A) MISO_A (Programming and Alternate Master In SPI Slave Out) PCINT18 (Pin Change Interrupt 18)
PD1	PSCIN0 (PSC Digital Input 0) CLKO (System Clock Output) PCINT17 (Pin Change Interrupt 17)
PD0	PSCOUT0A (PSC Output 0A) PCINT16 (Pin Change Interrupt 16)

The alternate pin configuration is as follows:

- **ACMP0/PCINT23 – Bit 7**

ACMP0, analog comparator 0 positive input. Configure the port pin as input with the internal pull-up switched off to avoid the digital port function from interfering with the function of the analog comparator.

PCINT23, pin change interrupt 23.

- **ADC3/ACMPN2/ $\overline{\text{INT0}}$ /PCINT22 – Bit 6**

ADC3, analog to digital converter, input channel 3.

ACMPN2, analog comparator 2 negative input. Configure the port pin as input with the internal pull-up switched off to avoid the digital port function from interfering with the function of the analog comparator.

INT0, external interrupt source 0. This pin can serve as an external interrupt source to the MCU.

PCINT22, pin change interrupt 23.

- **ADC2/ACMP2/PCINT21 – Bit 5**

ADC2, analog to digital converter, input channel 2.

ACMP2, analog comparator 1 positive input. Configure the port pin as input with the internal pull-up switched off to avoid the digital port function from interfering with the function of the analog comparator.

PCINT21, pin change interrupt 21.

- **PCINT20/ADC1/RXD/RXLIN/ICP1/SCK_A – Bit 4**

ADC1, analog to digital converter, input channel 1.

RXD/RXLIN, LIN/UART receive pin. Receive data (data input pin for the LIN/UART). When the LIN/UART receiver is enabled this pin is configured as an input regardless of the value of DDRD4. When the UART forces this pin to be an input, a logical one in PORTD4 will turn on the internal pull-up.

ICP1, input capture pin1: This pin can act as an input capture pin for Timer/Counter1.

SCK_A: Master clock output, slave clock input pin for SPI channel. When the SPI is enabled as a slave, this pin is configured as an input regardless of the setting of DDD4. When the SPI is enabled as a master, the data direction of this pin is controlled by DDD4. When the pin is forced to be an input, the pull-up can still be controlled by the PORTD4 bit.

PCINT20, pin change interrupt 20.

- **PCINT19/TXD/TXLIN/OC0A/SS/MOSI_A, Bit 3**

TXD/TXLIN, LIN/UART transmit pin. Data output pin for the LIN/UART. When the LIN/UART Transmitter is enabled, this pin is configured as an output regardless of the value of DDD3.

OC0A, output compare match A output: This pin can serve as an external output for the Timer/Counter0 output compare A. The pin has to be configured as an output (DDD3 set “one”) to serve this function. The OC0A pin is also the output pin for the PWM mode

\overline{SS} : Slave port select input. When the SPI is enabled as a slave, this pin is configured as an input regardless of the setting of DDD3. As a slave, the SPI is activated when this pin is driven low. When the SPI is enabled as a master, the data direction of this pin is controlled by DDD3. When the pin is forced to be an input, the pull-up can still be controlled by the PORTD3 bit.

MOSI_A: SPI master data output, slave data input for SPI channel. When the SPI is enabled as a slave, this pin is configured as an input regardless of the setting of DDD3. When the SPI is enabled as a master, the data direction of this pin is controlled by DDD3. When the pin is forced to be an input, the pull-up can still be controlled by the PORTD3 bit.

PCINT19, pin change Interrupt 19.

- **PCINT18/PSCIN2/OC1A/MISO_A, Bit 2**

PSCIN2, PSC digital input 2.

OC1A, output compare match A output: This pin can serve as an external output for the Timer/Counter1 output compare A. The pin has to be configured as an output (DDD2 set “one”) to serve this function. The OC1A pin is also the output pin for the PWM mode timer function.

MISO_A: Master data input, slave data output pin for SPI channel. When the SPI is enabled as a master, this pin is configured as an input regardless of the setting of DDD2. When the SPI is enabled as a slave, the data direction of this pin is controlled by DDD2. When the pin is forced to be an input, the pull-up can still be controlled by the PORTD2 bit.

PCINT18, pin change interrupt 18.

- **PCINT17/PSCIN0/CLKO – Bit 1**

PSCIN0, PSC digital input 0.

CLKO, divided system clock: The divided system clock can be output on this pin. The divided system clock will be output if the CKOUT fuse is programmed, regardless of the PORTD1 and DDD1 settings. It will also be output during reset.

PCINT17, pin change interrupt 17.

- **PCINT16/PSCOUT0A – Bit 0**

PSCOUT0A: Output 0 of PSC 0.

PCINT16, pin change interrupt 16.

Table 9-10 and Table 9-11 relates the alternate functions of Port D to the overriding signals shown in Figure 9-5 on page 56.

Table 9-10. Overriding Signals for Alternate Functions PD7..PD4

Signal Name	PD7/ ACMP0/ PCINT23	PD6/ADC3/ ACMPN2/INT0/ PCINT22	PD5/ADC2/ ACMP2/PCINT21	PD4/ADC1/RXD/ RXLIN/ICP1A/ SCK_A/PCINT20
PUOE	0	0	0	$\overline{\text{RXEN}} + \text{SPE} \cdot \overline{\text{MSTR}} \times \text{SPIPS}$
PUOV	0	0	0	$\text{PD4} \times \overline{\text{PUD}}$
DDOE	0	0	0	$\overline{\text{RXEN}} + \text{SPE} \times \overline{\text{MSTR}} \times \text{SPIPS}$
DDOV	0	0	0	0
PVOE	0	0	0	$\text{SPE} \times \overline{\text{MSTR}} \times \text{SPIPS}$
PVOV	0	0	0	–
DIEOE	ACMP0D	ADC3D + In0en	ADC2D	ADC1D
DIEOV	0	In0en	0	0
DI	–	INT0		ICP1A
AIO	ACOMP0	ADC3 ACMPM	ADC2 ACOMP2	ADC1

Table 9-11. Overriding Signals for Alternate Functions in PD3..PD0

Signal Name	PD3/TXD/TXLIN/ OC0A/SS/MOSI_A/ PCINT19	PD2/PSCIN2/ OC1A/MISO_A/ PCINT18	PD1/PSCIN0/ CLKO/ PCINT17	PD0/PSCOUT0A/ XCK/PCINT16
PUOE	$\overline{\text{TXEN}} + \text{SPE} \times \overline{\text{MSTR}} \times \text{SPIPS}$	–	0	$\overline{\text{SPE}} \times \overline{\text{MSTR}} \times \text{SPIPS}$
PUOV	$\overline{\text{TXEN}} \times \text{SPE} \times \overline{\text{MSTR}} \times \overline{\text{SPIPS}} \times \text{PD3} \times \overline{\text{PUD}}$	–	0	$\text{PD0} \times \overline{\text{PUD}}$
DDOE	$\overline{\text{TXEN}} + \text{SPE} \times \overline{\text{MSTR}} \times \text{SPIPS}$	–	0	$\text{PSCen00} + \text{SPE} \times \overline{\text{MSTR}} \times \text{SPIPS}$
DDOV	TXEN	0	0	PSCen00
PVOE	$\text{TXEN} + \text{OC0en} + \text{SPE} \times \overline{\text{MSTR}} \times \text{SPIPS}$	–	0	$\text{PSCen00} + \text{UMSEL}$
PVOV	$\text{TXEN} \times \text{TXD} + \overline{\text{TXEN}} \times (\text{OC0en} \times \text{OC0} + \text{OC0en} \times \text{SPIPS} \times \text{MOSI})$	–	0	–
DIEOE	0	0	0	0
DIEOV	0	0	0	0
DI	SS MOSI_Ain			
AIO				

9.3.5 Alternate Functions of Port E

The Port E pins with alternate functions are shown in [Table 9-12](#).

Table 9-12. Port E Pins Alternate Functions

Port Pin	Alternate Function
PE2	XTAL2 (XTAL Output) ADC0 (Analog Input Channel 0) PCINT26 (Pin Change Interrupt 26)
PE1	XTAL1 (XTAL Input) OC0B (Timer 0 Output Compare B) PCINT25 (Pin Change Interrupt 25)
PE0	RESET# (Reset Input) OCD (On Chip Debug I/O) PCINT24 (Pin Change Interrupt 24)

Note: On the engineering samples (Parts marked AT90PWM324), the ACPN3 alternate function is not located on PC4. It is located on PE2.

The alternate pin configuration is as follows:

- **PCINT26/XTAL2/ADC0 – Bit 2**

XTAL2: Chip clock oscillator pin 2. Used as clock pin for crystal oscillator or low-frequency crystal oscillator. When used as a clock pin, the pin can not be used as an I/O pin.

ADC0, analog to digital converter, input channel 0.

PCINT26, pin change interrupt 26.

- **PCINT25/XTAL1/OC0B – Bit 1**

XTAL1: Chip clock oscillator pin 1. Used for all chip clock sources except internal calibrated RC oscillator. When used as a clock pin, the pin can not be used as an I/O pin.

OC0B, output compare Match B output: This pin can serve as an external output for the Timer/Counter0 output compare B. The pin has to be configured as an output (DDE1 set “one”) to serve this function. This pin is also the output pin for the PWM mode timer function.

PCINT25, pin change interrupt 25.

- **PCINT24/RESET/OCD – Bit 0**

RESET, reset pin: When the RSTDISBL Fuse is programmed, this pin functions as a normal I/O pin, and the part will have to rely on power-on reset and brown-out reset as its reset sources. When the RSTDISBL Fuse is unprogrammed, the reset circuitry is connected to the pin, and the pin can not be used as an I/O pin.

If PE0 is used as a reset pin, DDE0, PORTE0 and PINE0 will all read 0.

PCINT24, pin change interrupt 24.

Table 9-13 relates the alternate functions of Port E to the overriding signals shown in Figure 9-5 on page 56.

Table 9-13. Overriding Signals for Alternate Functions in PE2..PE0

Signal Name	PE2/ADC0/XTAL2/ PCINT26	PE1/XTAL1/OC0B/ PCINT25	PE0/RESET/ OCD/PCINT24
PUOE	0	0	0
PUOV	0	0	0
DDOE	0	0	0
DDOV	0	0	0
PVOE	0	OC0Ben	0
PVOV	0	OC0B	0
DIEOE	ADC0D	0	0
DIEOV	0	0	0
DI			
AIO	Osc Output ADC0	Osc / Clock input	

9.4 Register Description for I/O-Ports

9.4.1 Port B Data Register – PORTB

Bit	7	6	5	4	3	2	1	0	
	PORTB7 PORTB6 PORTB5 PORTB4 PORTB3 PORTB2 PORTB1 PORTB0								PORTB
Read/Write	R/W	R/W	R/W	R/W	R/W	R/W	R/W	R/W	
Initial Value	0	0	0	0	0	0	0	0	

9.4.2 Port B Data Direction Register – DDRB

Bit	7	6	5	4	3	2	1	0	
	DDB7 DDB6 DDB5 DDB4 DDB3 DDB2 DDB1 DDB0								DDRB
Read/Write	R/W	R/W	R/W	R/W	R/W	R/W	R/W	R/W	
Initial Value	0	0	0	0	0	0	0	0	

9.4.3 Port B Input Pins Address – PINB

Bit	7	6	5	4	3	2	1	0	
	PINB7 PINB6 PINB5 PINB4 PINB3 PINB2 PINB1 PINB0								PINB
Read/Write	R/W	R/W	R/W	R/W	R/W	R/W	R/W	R/W	
Initial Value	N/A	N/A	N/A	N/A	N/A	N/A	N/A	N/A	

9.4.4 Port C Data Register – PORTC

Bit	7	6	5	4	3	2	1	0	
	PORTC7 PORTC6 PORTC5 PORTC4 PORTC3 PORTC2 PORTC1 PORTC0								PORTC
Read/Write	R/W	R/W	R/W	R/W	R/W	R/W	R/W	R/W	
Initial Value	0	0	0	0	0	0	0	0	

9.4.5 Port C Data Direction Register – DDRC

Bit	7	6	5	4	3	2	1	0	
	DDC7	DDC6	DDC5	DDC4	DDC3	DDC2	DDC1	DDC0	DDRC
Read/Write	R/W	R/W	R/W	R/W	R/W	R/W	R/W	R/W	
Initial Value	0	0	0	0	0	0	0	0	

9.4.6 Port C Input Pins Address – PINC

Bit	7	6	5	4	3	2	1	0	
	PINC7	PINC6	PINC5	PINC4	PINC3	PINC2	PINC1	PINC0	PINC
Read/Write	R/W	R/W	R/W	R/W	R/W	R/W	R/W	R/W	
Initial Value	N/A	N/A	N/A	N/A	N/A	N/A	N/A	N/A	

9.4.7 Port D Data Register – PORTD

Bit	7	6	5	4	3	2	1	0	
	PORTD7	PORTD6	PORTD5	PORTD4	PORTD3	PORTD2	PORTD1	PORTD0	PORTD
Read/Write	R/W	R/W	R/W	R/W	R/W	R/W	R/W	R/W	
Initial Value	0	0	0	0	0	0	0	0	

9.4.8 Port D Data Direction Register – DDRD

Bit	7	6	5	4	3	2	1	0	
	DDD7	DDD6	DDD5	DDD4	DDD3	DDD2	DDD1	DDD0	DDRD
Read/Write	R/W	R/W	R/W	R/W	R/W	R/W	R/W	R/W	
Initial Value	0	0	0	0	0	0	0	0	

9.4.9 Port D Input Pins Address – PIND

Bit	7	6	5	4	3	2	1	0	
	PIND7	PIND6	PIND5	PIND4	PIND3	PIND2	PIND1	PIND0	PIND
Read/Write	R/W	R/W	R/W	R/W	R/W	R/W	R/W	R/W	
Initial Value	N/A	N/A	N/A	N/A	N/A	N/A	N/A	N/A	

9.4.10 Port E Data Register – PORTE

Bit	7	6	5	4	3	2	1	0	
	–	–	–	–	–	PORTE2	PORTE1	PORTE0	PORTE
Read/Write	R	R	R	R	R	R/W	R/W	R/W	
Initial Value	0	0	0	0	0	0	0	0	

9.4.11 Port E Data Direction Register – DDRE

Bit	7	6	5	4	3	2	1	0	
	–	–	–	–	–	DDE2	DDE1	DDE0	DDRE
Read/Write	R	R	R	R	R	R/W	R/W	R/W	
Initial Value	0	0	0	0	0	0	0	0	

9.4.12 Port E Input Pins Address – PINE

Bit	7	6	5	4	3	2	1	0	
	–	–	–	–	–	PINE2	PINE1	PINE0	PINE
Read/Write	R	R	R	R	R	R/W	R/W	R/W	
Initial Value	0	0	0	0	0	N/A	N/A	N/A	

10. External Interrupts

The external interrupts are triggered by the INT3:0 pins or any of the PCINT23..0 pins. Observe that, if enabled, the interrupts will trigger even if the INT3:0 or PCINT23..0 pins are configured as outputs. This feature provides a way of generating a software interrupt. The pin change interrupt PCI2 will trigger if any enabled PCINT23..16 pin toggles. The pin change interrupt PCI1 will trigger if any enabled PCINT14..8 pin toggles. The pin change interrupt PCI0 will trigger if any enabled PCINT7..0 pin toggles. The PCMSK3, PCMSK2, PCMSK1 and PCMSK0 registers control which pins contribute to the pin change interrupts. Pin change interrupts on PCINT26..0 are detected asynchronously. This implies that these interrupts can be used for waking the part also from sleep modes other than Idle mode.

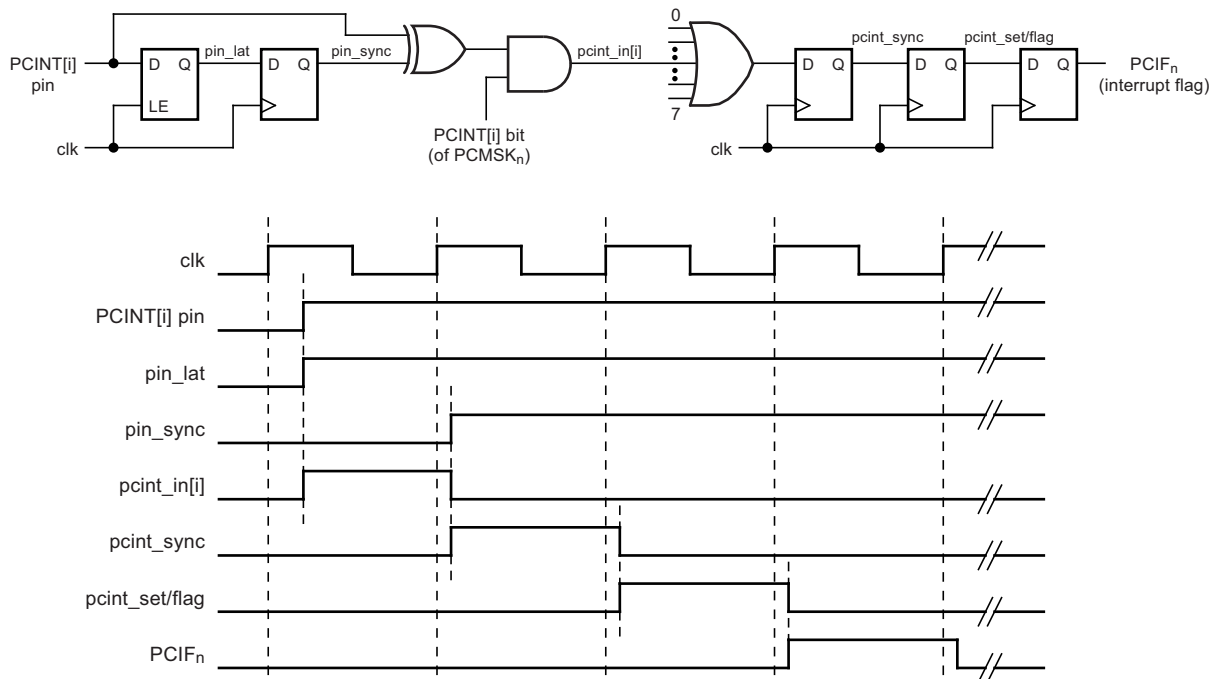
The INT3:0 interrupts can be triggered by a falling or rising edge or a low level. This is set up as indicated in the specification for the external interrupt control register A – EICRA. When the INT3:0 interrupts are enabled and are configured as level triggered, the interrupts will trigger as long as the pin is held low. Note that recognition of falling or rising edge interrupts on INT3:0 requires the presence of an I/O clock, described in [Section 5.1 “Clock Systems and their Distribution” on page 25](#). Low level interrupt on INT3:0 is detected asynchronously. This implies that this interrupt can be used for waking the part also from sleep modes other than Idle mode. The I/O clock is halted in all sleep modes except Idle mode.

Note that if a level triggered interrupt is used for wake-up from power-down, the required level must be held long enough for the MCU to complete the wake-up to trigger the level interrupt. If the level disappears before the end of the Start-up Time, the MCU will still wake up, but no interrupt will be generated. The start-up time is defined by the SUT and CKSEL Fuses as described in [Section 5.1 “Clock Systems and their Distribution” on page 25](#).

10.1 Pin Change Interrupt Timing

An example of timing of a pin change interrupt is shown in [Figure 10-1](#)

Figure 10-1. Timing of a Pin Change Interrupts



10.2 External Interrupt Control Register A – EICRA

The External Interrupt Control Register A contains control bits for interrupt sense control.

Bit	7	6	5	4	3	2	1	0	
	ISC31 ISC30 ISC21 ISC20 ISC11 ISC10 ISC01 ISC00								EICRA
Read/Write	R/W	R/W	R/W	R/W	R/W	R/W	R/W	R/W	
Initial Value	0	0	0	0	0	0	0	0	

- **Bit 7..0 – ISC31, ISC30 - ISC01, ISC00: Interrupt Sense Control 0 Bit 1 and Bit 0**

The external interrupts 3 - 0 are activated by the external pins INT3:0 if the SREG I-flag and the corresponding interrupt mask in the EIMSK is set. The level and edges on the external pins that activate the interrupt are defined in [Table 10-1](#). Edges on INT3..INT0 are registered asynchronously. The value on the INT3:0 pins are sampled before detecting edges. If edge or toggle interrupt is selected, pulses that last longer than one clock period will generate an interrupt. Shorter pulses are not guaranteed to generate an interrupt. Observe that CPU clock frequency can be lower than XTAL frequency if the XTAL divider is enabled. If low level interrupt is selected, the low level must be held until the completion of the currently executing instruction to generate an interrupt. If enabled, a level triggered interrupt will generate an interrupt request as long as the pin is held low.

Table 10-1. Interrupt Sense Control⁽¹⁾

ISCn1	ISCn0	Description
0	0	The low level of INTn generates an interrupt request.
0	1	Any logical change on INTn generates an interrupt request.
1	0	The falling edge between two samples of INTn generates an interrupt request.
1	1	The rising edge between two samples of INTn generates an interrupt request.

Note: 1. n = 3, 2, 1 or 0.

When changing the ISCn1/ISCn0 bits, the interrupt must be disabled by clearing its interrupt enable bit in the EIMSK register. Otherwise an interrupt can occur when the bits are changed.

10.2.1 External Interrupt Mask Register – EIMSK

Bit	7	6	5	4	3	2	1	0	
	-				INT3	INT2	INT1	INT0	EIMSK
Read/Write	R	R	R	R	R	R	R/W	R/W	
Initial Value	0	0	0	0	0	0	0	0	

- **Bit 7..4 – Res: Reserved Bits**

These bits are unused bits in the ATmega16/32/64/M1/C1, and will always read as zero.

- **Bit 3..0 – INT3 - 0: External Interrupt Request 3:0 Enable**

When an INT3 – INT0 bit is written to one and the I-bit in the status register (SREG) is set (one), the corresponding external pin interrupt is enabled. The interrupt sense control bits in the external interrupt control register A - EICRA defines whether the external interrupt is activated on rising or falling edge or level sensed. Activity on any of these pins will trigger an interrupt request even if the pin is enabled as an output. This provides a way of generating a software interrupt.

10.2.2 External Interrupt Flag Register – EIFR

Bit	7	6	5	4	3	2	1	0	
	–	–	–	–	INTF3	INTF2	INTF1	INTF0	EIFR
Read/Write	R	R	R	R	R/W	R/W	R/W	R/W	
Initial Value	0	0	0	0	0	0	0	0	

- **Bit 7..4 – Res: Reserved Bits**

These bits are unused bits in the ATmega16/32/64/M1/C1, and will always read as zero.

- **Bit 3..0 – INTF3 - INTF0: External Interrupt Flag 3 - 0**

When an edge or logic change on the INT3:0 pin triggers an interrupt request, INTF3:0 becomes set (one). If the I-bit in SREG and the corresponding interrupt enable bit INT3:0 in EIMSK, are set (one), the MCU will jump to the interrupt vector. The flag is cleared when the interrupt routine is executed. Alternatively, the flag can be cleared by writing a logical one to it. These flags are always cleared when INT3:0 are configured as a level interrupt.

10.2.3 Pin Change Interrupt Control Register - PCICR

Bit	7	6	5	4	3	2	1	0	
	–	–	–	–	PCIE3	PCIE2	PCIE1	PCIE0	PCICR
Read/Write	R	R	R	R	R	R/W	R/W	R/W	
Initial Value	0	0	0	0	0	0	0	0	

- **Bit 7..4 - Res: Reserved Bits**

These bits are unused bits in the ATmega16/32/64/M1/C1, and will always read as zero.

- **Bit 3 - PCIE3: Pin Change Interrupt Enable 3**

When the PCIE3 bit is set (one) and the I-bit in the status register (SREG) is set (one), pin change interrupt 3 is enabled. Any change on any enabled PCINT26..24 pin will cause an interrupt. The corresponding interrupt of pin change interrupt request is executed from the PCI3 interrupt vector. PCINT26..24 pins are enabled individually by the PCMSK3 register.

- **Bit 2 - PCIE2: Pin Change Interrupt Enable 2**

When the PCIE2 bit is set (one) and the I-bit in the status register (SREG) is set (one), pin change interrupt 2 is enabled. Any change on any enabled PCINT23..16 pin will cause an interrupt. The corresponding interrupt of pin change interrupt request is executed from the PCI2 interrupt vector. PCINT23..16 pins are enabled individually by the PCMSK2 register.

- **Bit 1 - PCIE1: Pin Change Interrupt Enable 1**

When the PCIE1 bit is set (one) and the I-bit in the status register (SREG) is set (one), pin change interrupt 1 is enabled. Any change on any enabled PCINT15..8 pin will cause an interrupt. The corresponding interrupt of pin change interrupt request is executed from the PCI1 interrupt vector. PCINT15..8 pins are enabled individually by the PCMSK1 register.

- **Bit 0 - PCIE0: Pin Change Interrupt Enable 0**

When the PCIE0 bit is set (one) and the I-bit in the status register (SREG) is set (one), pin change interrupt 0 is enabled. Any change on any enabled PCINT7..0 pin will cause an interrupt. The corresponding interrupt of pin change interrupt request is executed from the PCI0 interrupt vector. PCINT7..0 pins are enabled individually by the PCMSK0 register.

10.2.4 Pin Change Interrupt Flag Register - PCIFR

Bit	7	6	5	4	3	2	1	0	
	-	-	-	-	PCIF3	PCIF2	PCIF1	PCIF0	PCIFR
Read/Write	R	R	R	R	R	R/W	R/W	R/W	
Initial Value	0	0	0	0	0	0	0	0	

- **Bit 7..4 - Res: Reserved Bits**

These bits are unused bits in the ATmega16/32/64/M1/C1, and will always read as zero.

- **Bit 3 - PCIF3: Pin Change Interrupt Flag 3**

When a logic change on any PCINT26..24 pin triggers an interrupt request, PCIF3 becomes set (one). If the I-bit in SREG and the PCIE3 bit in PCICR are set (one), the MCU will jump to the corresponding interrupt vector. The flag is cleared when the interrupt routine is executed. Alternatively, the flag can be cleared by writing a logical one to it.

- **Bit 2 - PCIF2: Pin Change Interrupt Flag 2**

When a logic change on any PCINT23..16 pin triggers an interrupt request, PCIF2 becomes set (one). If the I-bit in SREG and the PCIE2 bit in PCICR are set (one), the MCU will jump to the corresponding Interrupt vector. The flag is cleared when the interrupt routine is executed. Alternatively, the flag can be cleared by writing a logical one to it.

- **Bit 1 - PCIF1: Pin Change Interrupt Flag 1**

When a logic change on any PCINT15..8 pin triggers an interrupt request, PCIF1 becomes set (one). If the I-bit in SREG and the PCIE1 bit in PCICR are set (one), the MCU will jump to the corresponding Interrupt vector. The flag is cleared when the interrupt routine is executed. Alternatively, the flag can be cleared by writing a logical one to it.

- **Bit 0 - PCIF0: Pin Change Interrupt Flag 0**

When a logic change on any PCINT7..0 pin triggers an interrupt request, PCIF0 becomes set (one). If the I-bit in SREG and the PCIE0 bit in PCICR are set (one), the MCU will jump to the corresponding Interrupt vector. The flag is cleared when the interrupt routine is executed. Alternatively, the flag can be cleared by writing a logical one to it.

10.2.5 Pin Change Mask Register 3 – PCMSK3

Bit	7	6	5	4	3	2	1	0	
	-	-	-	-	-	PCINT26	PCINT25	PCINT24	PCMSK3
Read/Write	R/W	R/W	R/W	R/W	R/W	R/W	R/W	R/W	
Initial Value	0	0	0	0	0	0	0	0	

- **Bit 7..3 – Res: Reserved Bit**

These bits are unused bits in the ATmega16/32/64/M1/C1, and will always read as zero.

- **Bit 2..0 – PCINT26..24: Pin Change Enable Mask 26..24**

Each PCINT26..24-bit selects whether pin change interrupt is enabled on the corresponding I/O pin. If PCINT26..24 is set and the PCIE3 bit in PCICR is set, pin change interrupt is enabled on the corresponding I/O pin. If PCINT23..24 is cleared, pin change interrupt on the corresponding I/O pin is disabled.

10.2.6 Pin Change Mask Register 2 – PCMSK2

Bit	7	6	5	4	3	2	1	0	
	PCINT23	PCINT22	PCINT21	PCINT20	PCINT19	PCINT18	PCINT17	PCINT16	PCMSK2
Read/Write	R/W	R/W	R/W	R/W	R/W	R/W	R/W	R/W	
Initial Value	0	0	0	0	0	0	0	0	

- **Bit 7..0 – PCINT23..16: Pin Change Enable Mask 23..16**

Each PCINT23..16-bit selects whether pin change interrupt is enabled on the corresponding I/O pin. If PCINT23..16 is set and the PCIE2 bit in PCICR is set, pin change interrupt is enabled on the corresponding I/O pin. If PCINT23..16 is cleared, pin change interrupt on the corresponding I/O pin is disabled.

10.2.7 Pin Change Mask Register 1 – PCMSK1

Bit	7	6	5	4	3	2	1	0	
	PCINT15	PCINT14	PCINT13	PCINT12	PCINT11	PCINT10	PCINT9	PCINT8	PCMSK1
Read/Write	R	R/W	R/W	R/W	R/W	R/W	R/W	R/W	
Initial Value	0	0	0	0	0	0	0	0	

- **Bit 7 – Res: Reserved Bit**

This bit is an unused bit in the ATmega16/32/64/M1/C1, and will always read as zero.

- **Bit 7..0 – PCINT15..8: Pin Change Enable Mask 15..8**

Each PCINT15..8-bit selects whether pin change interrupt is enabled on the corresponding I/O pin. If PCINT15..8 is set and the PCIE1 bit in PCICR is set, pin change interrupt is enabled on the corresponding I/O pin. If PCINT15..8 is cleared, pin change interrupt on the corresponding I/O pin is disabled.

10.2.8 Pin Change Mask Register 0 – PCMSK0

Bit	7	6	5	4	3	2	1	0	
	PCINT7	PCINT6	PCINT5	PCINT4	PCINT3	PCINT2	PCINT1	PCINT0	PCMSK0
Read/Write	R/W	R/W	R/W	R/W	R/W	R/W	R/W	R/W	
Initial Value	0	0	0	0	0	0	0	0	

- **Bit 7..0 – PCINT7..0: Pin Change Enable Mask 7..0**

Each PCINT7..0 bit selects whether pin change interrupt is enabled on the corresponding I/O pin. If PCINT7..0 is set and the PCIE0 bit in PCICR is set, pin change interrupt is enabled on the corresponding I/O pin. If PCINT7..0 is cleared, pin change interrupt on the corresponding I/O pin is disabled.

11. Timer/Counter0 and Timer/Counter1 Prescalers

Timer/Counter1 and Timer/Counter0 share the same prescaler module, but the Timer/Counter0 can have different prescaler settings. The description below applies to both Timer/Counter1 and Timer/Counter0.

11.1 Internal Clock Source

The Timer/Counter can be clocked directly by the system clock (by setting the $CSn2:0 = 1$). This provides the fastest operation, with a maximum Timer/Counter clock frequency equal to system clock frequency ($f_{CLK_I/O}$). Alternatively, one of four taps from the prescaler can be used as a clock source. The prescaled clock has a frequency of either $f_{CLK_I/O}/8$, $f_{CLK_I/O}/64$, $f_{CLK_I/O}/256$, or $f_{CLK_I/O}/1024$.

11.2 Prescaler Reset

The prescaler is free running, i.e., operates independently of the clock select logic of the Timer/Counter, and it is shared by Timer/Counter1 and Timer/Counter0. Since the prescaler is not affected by the Timer/Counter's clock select, the state of the prescaler will have implications for situations where a prescaled clock is used. One example of prescaling artifacts occurs when the timer is enabled and clocked by the prescaler ($6 > CSn2:0 > 1$). The number of system clock cycles from when the timer is enabled to the first count occurs can be from 1 to $N+1$ system clock cycles, where N equals the prescaler divisor (8, 64, 256, or 1024).

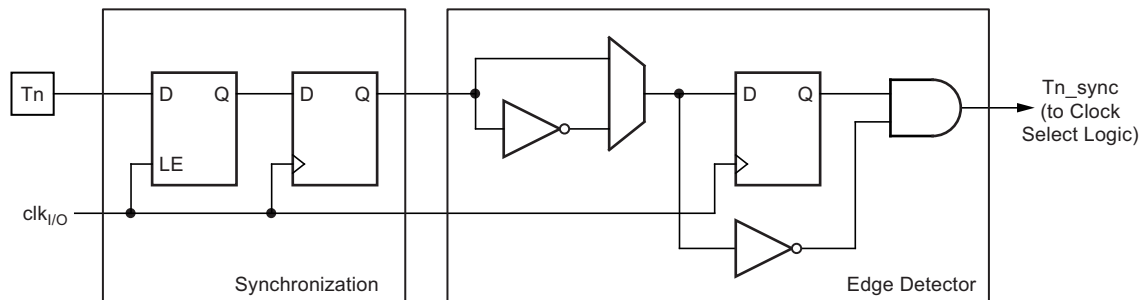
It is possible to use the prescaler reset for synchronizing the Timer/Counter to program execution. However, care must be taken if the other Timer/Counter that shares the same prescaler also uses prescaling. A prescaler reset will affect the prescaler period for all Timer/Counter0s it is connected to.

11.3 External Clock Source

An external clock source applied to the Tn pin can be used as Timer/Counter clock (clk_{T1}/clk_{T0}). The Tn pin is sampled once every system clock cycle by the pin synchronization logic. The synchronized (sampled) signal is then passed through the edge detector. Figure 11-1 shows a functional equivalent block diagram of the $Tn/T0$ synchronization and edge detector logic. The registers are clocked at the positive edge of the internal system clock ($clk_{I/O}$). The latch is transparent in the high period of the internal system clock.

The edge detector generates one clk_{T1}/clk_{T0} pulse for each positive ($CSn2:0 = 7$) or negative ($CSn2:0 = 6$) edge it detects.

Figure 11-1. Tn Pin Sampling



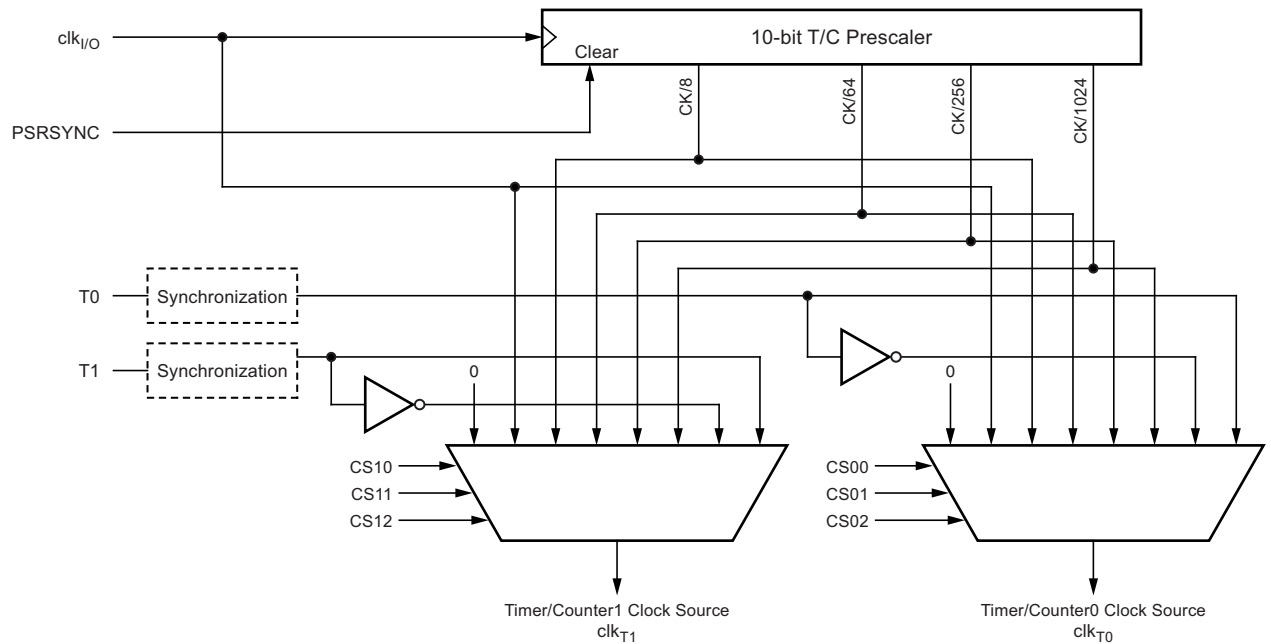
The synchronization and edge detector logic introduces a delay of 2.5 to 3.5 system clock cycles from an edge has been applied to the $Tn/T0$ pin to the counter is updated.

Enabling and disabling of the clock input must be done when $Tn/T0$ has been stable for at least one system clock cycle, otherwise it is a risk that a false Timer/Counter clock pulse is generated.

Each half period of the external clock applied must be longer than one system clock cycle to ensure correct sampling. The external clock must be guaranteed to have less than half the system clock frequency ($f_{ExtClk} < f_{clk_I/O}/2$) given a 50/50% duty cycle. Since the edge detector uses sampling, the maximum frequency of an external clock it can detect is half the sampling frequency (Nyquist sampling theorem). However, due to variation of the system clock frequency and duty cycle caused by Oscillator source (crystal, resonator, and capacitors) tolerances, it is recommended that maximum frequency of an external clock source is less than $f_{clk_I/O}/2.5$.

An external clock source can not be prescaled.

Figure 11-2. Prescaler for Timer/Counter0 and Timer/Counter1⁽¹⁾



Note: 1. The synchronization logic on the input pins (Tn) is shown in [Figure 11-1](#).

11.3.1 General Timer/Counter Control Register – GTCCR

Bit	7	6	5	4	3	2	1	0	
	TSM	ICPSEL1	–	–	–	–	–	PSRSYNC	GTCCR
Read/Write	R/W	R/W	R	R	R	R	R	R/W	
Initial Value	0	0	0	0	0	0	0	0	

- **Bit 7 – TSM: Timer/Counter Synchronization Mode**

Writing the TSM bit to one activates the Timer/Counter synchronization mode. In this mode, the value that is written to the PSRSYNC bit is kept, hence keeping the corresponding prescaler reset signals asserted. This ensures that the corresponding Timer/Counters are halted and can be configured to the same value without the risk of one of them advancing during configuration. When the TSM bit is written to zero, the PSRSYNC bit is cleared by hardware, and the Timer/Counters start counting simultaneously.

- **Bit 6 – ICPSEL1: Timer 1 Input Capture Selection**

Timer 1 capture function has two possible inputs ICP1A (PD4) and ICP1B (PC3). The selection is made thanks to ICPSEL1 bit as described in [Table 11-1](#).

Table 11-1. ICPSEL1

ICPSEL1	Description
0	Select ICP1A as trigger for timer 1 input capture
1	Select ICP1B as trigger for timer 1 input capture

- **Bit 0 – PSRSYNC: Prescaler Reset**

When this bit is one, Timer/Counter1 and Timer/Counter0 prescaler will be Reset. This bit is normally cleared immediately by hardware, except if the TSM bit is set. Note that Timer/Counter1 and Timer/Counter0 share the same prescaler and a reset of this prescaler will affect both timers.

12. 8-bit Timer/Counter0 with PWM

Timer/Counter0 is a general purpose 8-bit Timer/Counter module, with two independent Output Compare Units, and with PWM support. It allows accurate program execution timing (event management) and wave generation. The main features are:

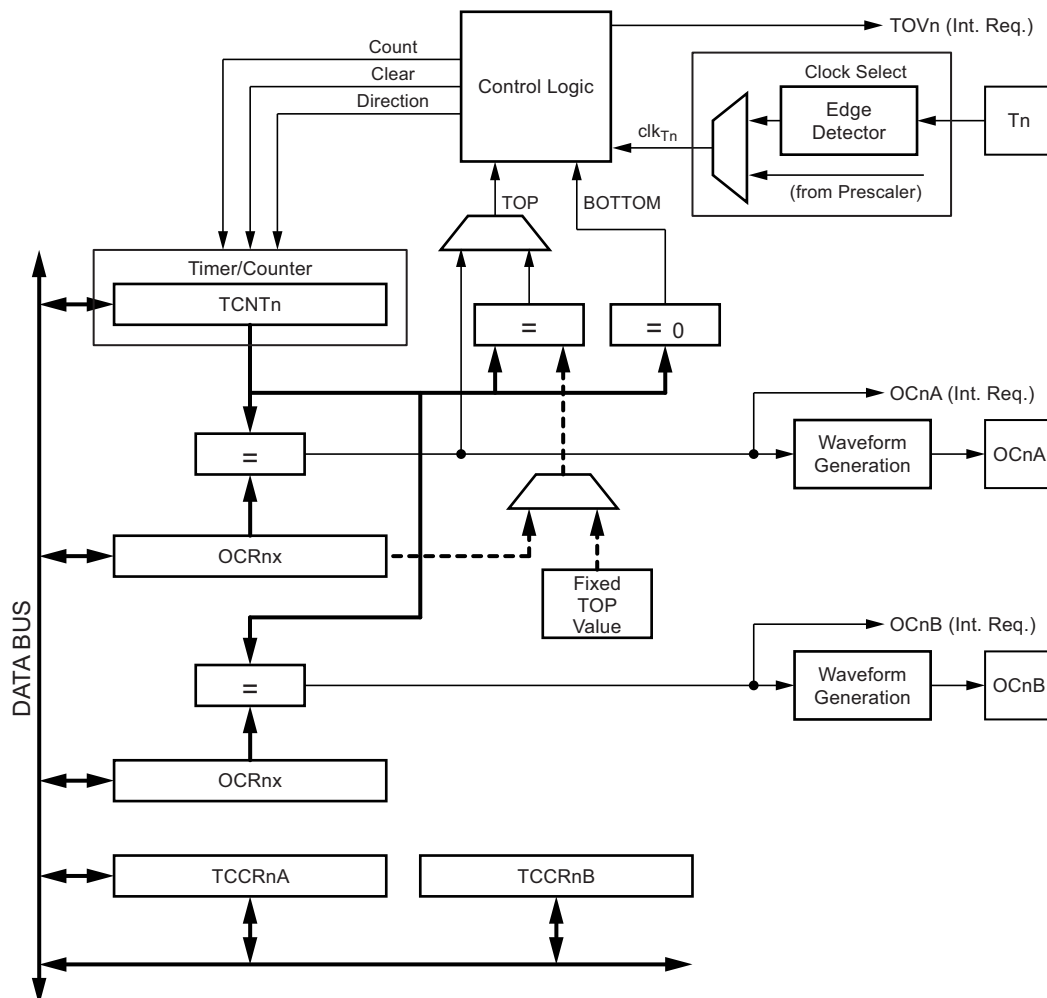
- Two independent output compare units
- Double buffered output compare registers
- Clear timer on compare match (auto reload)
- Glitch free, phase correct pulse width modulator (PWM)
- Variable PWM period
- Frequency generator
- Three independent interrupt sources (TOV0, OCF0A, and OCF0B)

12.1 Overview

A simplified block diagram of the 8-bit Timer/Counter is shown in [Figure 12-1](#). For the actual placement of I/O pins, refer to [Section 2.3 “Pin Descriptions” on page 9](#). CPU accessible I/O registers, including I/O bits and I/O pins, are shown in bold. The device-specific I/O Register and bit locations are listed in [Section 12.8 “8-bit Timer/Counter Register Description” on page 86](#).

The PRTIM0 bit in [Section 6.6 “Power Reduction Register” on page 36](#) must be written to zero to enable Timer/Counter0 module.

Figure 12-1. 8-bit Timer/Counter Block Diagram



12.1.1 Definitions

Many register and bit references in this section are written in general form. A lower case “n” replaces the Timer/Counter number, in this case 0. A lower case “x” replaces the output compare unit, in this case compare unit A or compare unit B. However, when using the register or bit defines in a program, the precise form must be used, i.e., TCNT0 for accessing Timer/Counter0 counter value and so on.

The definitions in [Table 12-1](#) are also used extensively throughout the document.

Table 12-1. Definitions

Definitions	
BOTTOM	The counter reaches the BOTTOM when it becomes 0x00.
MAX	The counter reaches its MAXimum when it becomes 0xFF (decimal 255).
TOP	The counter reaches the TOP when it becomes equal to the highest value in the count sequence. The TOP value can be assigned to be the fixed value 0xFF (MAX) or the value stored in the OCR0A Register. The assignment is dependent on the mode of operation.

12.1.2 Registers

The Timer/Counter (TCNT0) and output compare registers (OCR0A and OCR0B) are 8-bit registers. Interrupt request (abbreviated to int.req. in the figure) signals are all visible in the timer interrupt flag register (TIFR0). All interrupts are individually masked with the timer interrupt mask register (TIMSK0). TIFR0 and TIMSK0 are not shown in the figure.

The Timer/Counter can be clocked internally, via the prescaler, or by an external clock source on the T0 pin. The clock select logic block controls which clock source and edge the Timer/Counter uses to increment (or decrement) its value. The Timer/Counter is inactive when no clock source is selected. The output from the Clock Select logic is referred to as the timer clock (clk_{T0}).

The double buffered Output Compare Registers (OCR0A and OCR0B) are compared with the Timer/Counter value at all times. The result of the compare can be used by the waveform generator to generate a PWM or variable frequency output on the output compare pins (OC0A and OC0B). See [Section 13.6.3 “Using the Output Compare Unit” on page 101](#) for details. The compare match event will also set the Compare Flag (OCF0A or OCF0B) which can be used to generate an output compare interrupt request.

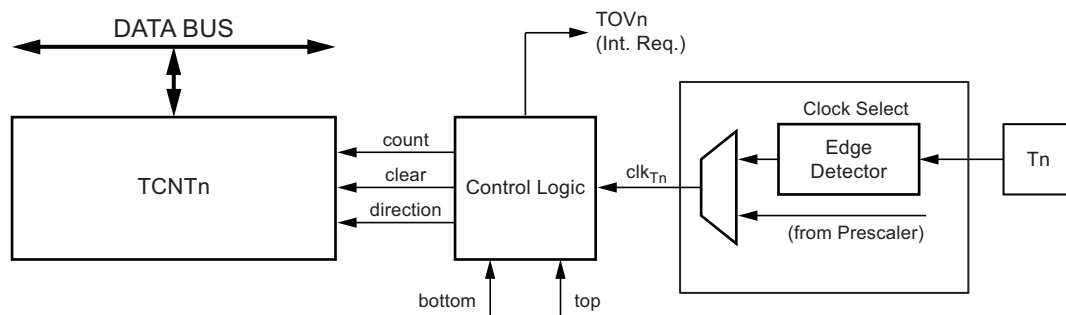
12.2 Timer/Counter Clock Sources

The Timer/Counter can be clocked by an internal or an external clock source. The clock source is selected by the clock select (CS02:0) bits located in the Timer/Counter control register (TCCR0B). For details on clock sources and prescaler, see [Section 11. “Timer/Counter0 and Timer/Counter1 Prescalers” on page 75](#).

12.3 Counter Unit

The main part of the 8-bit Timer/Counter is the programmable bi-directional counter unit. [Figure 12-2](#) shows a block diagram of the counter and its surroundings.

Figure 12-2. Counter Unit Block Diagram



Signal description (internal signals):

- **count** Increment or decrement TCNT0 by 1.
- **direction** Select between increment and decrement.
- **clear** Clear TCNT0 (set all bits to zero).
- **clkTn** Timer/Counter clock, referred to as clkT0 in the following.
- **top** Signalize that TCNT0 has reached maximum value.
- **bottom** Signalize that TCNT0 has reached minimum value (zero).

Depending of the mode of operation used, the counter is cleared, incremented, or decremented at each timer clock (clk_{T0}). clk_{T0} can be generated from an external or internal clock source, selected by the clock select bits (CS02:0). When no clock source is selected (CS02:0 = 0) the timer is stopped. However, the TCNT0 value can be accessed by the CPU, regardless of whether clk_{T0} is present or not. A CPU write overrides (has priority over) all counter clear or count operations.

The counting sequence is determined by the setting of the WGM01 and WGM00 bits located in the Timer/Counter control register (TCCR0A) and the WGM02 bit located in the Timer/Counter control register B (TCCR0B). There are close connections between how the counter behaves (counts) and how waveforms are generated on the output compare outputs OC0A and OC0B. For more details about advanced counting sequences and waveform generation, see [Section 12.6 “Modes of Operation” on page 81](#).

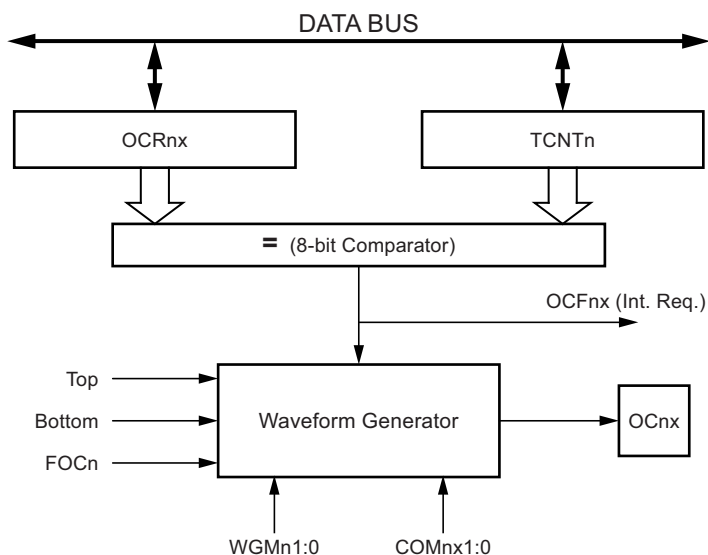
The Timer/Counter overflow flag (TOV0) is set according to the mode of operation selected by the WGM02:0 bits. TOV0 can be used for generating a CPU interrupt.

12.4 Output Compare Unit

The 8-bit comparator continuously compares TCNT0 with the output compare registers (OCR0A and OCR0B). Whenever TCNT0 equals OCR0A or OCR0B, the comparator signals a match. A match will set the output compare flag (OCF0A or OCF0B) at the next timer clock cycle. If the corresponding interrupt is enabled, the output compare flag generates an output compare interrupt. The output compare flag is automatically cleared when the interrupt is executed. Alternatively, the flag can be cleared by software by writing a logical one to its I/O bit location. The waveform generator uses the match signal to generate an output according to operating mode set by the WGM02:0 bits and compare output mode (COM0x1:0) bits. The max and bottom signals are used by the waveform generator for handling the special cases of the extreme values in some modes of operation ([Section 12.6 “Modes of Operation” on page 81](#)).

[Figure 12-3](#) shows a block diagram of the output compare unit.

Figure 12-3. Output Compare Unit, Block Diagram



The OCR0x registers are double buffered when using any of the pulse width modulation (PWM) modes. For the normal and clear timer on compare (CTC) modes of operation, the double buffering is disabled. The double buffering synchronizes the update of the OCR0x compare registers to either top or bottom of the counting sequence. The synchronization prevents the occurrence of odd-length, non-symmetrical PWM pulses, thereby making the output glitch-free.

The OCR0x register access may seem complex, but this is not case. When the double buffering is enabled, the CPU has access to the OCR0x buffer register, and if double buffering is disabled the CPU will access the OCR0x directly.

12.4.1 Force Output Compare

In non-PWM waveform generation modes, the match output of the comparator can be forced by writing a one to the force output compare (FOC0x) bit. Forcing compare match will not set the OCF0x flag or reload/clear the timer, but the OC0x pin will be updated as if a real compare match had occurred (the COM0x1:0 bits settings define whether the OC0x pin is set, cleared or toggled).

12.4.2 Compare Match Blocking by TCNT0 Write

All CPU write operations to the TCNT0 register will block any compare match that occur in the next timer clock cycle, even when the timer is stopped. This feature allows OCR0x to be initialized to the same value as TCNT0 without triggering an interrupt when the Timer/Counter clock is enabled.

12.4.3 Using the Output Compare Unit

Since writing TCNT0 in any mode of operation will block all compare matches for one timer clock cycle, there are risks involved when changing TCNT0 when using the output compare unit, independently of whether the Timer/Counter is running or not. If the value written to TCNT0 equals the OCR0x value, the compare match will be missed, resulting in incorrect waveform generation. Similarly, do not write the TCNT0 value equal to BOTTOM when the counter is downcounting.

The setup of the OC0x should be performed before setting the data direction register for the port pin to output. The easiest way of setting the OC0x value is to use the force output compare (FOC0x) strobe bits in normal mode. The OC0x registers keep their values even when changing between waveform generation modes.

Be aware that the COM0x1:0 bits are not double buffered together with the compare value. Changing the COM0x1:0 bits will take effect immediately.

12.5 Compare Match Output Unit

The compare output mode (COM0x1:0) bits have two functions. The waveform generator uses the COM0x1:0 bits for defining the output compare (OC0x) state at the next compare match. Also, the COM0x1:0 bits control the OC0x pin output source. [Figure 12-4](#) shows a simplified schematic of the logic affected by the COM0x1:0 bit setting. The I/O registers, I/O bits, and I/O pins in the figure are shown in bold. Only the parts of the general I/O port control registers (DDR and PORT) that are affected by the COM0x1:0 bits are shown. When referring to the OC0x state, the reference is for the internal OC0x register, not the OC0x pin. If a system reset occur, the OC0x register is reset to “0”.

12.6.1 Normal Mode

The simplest mode of operation is the normal mode (WGM02:0 = 0). In this mode the counting direction is always up (incrementing), and no counter clear is performed. The counter simply overruns when it passes its maximum 8-bit value (TOP = 0xFF) and then restarts from the bottom (0x00). In normal operation the Timer/Counter overflow flag (TOV0) will be set in the same timer clock cycle as the TCNT0 becomes zero. The TOV0 flag in this case behaves like a ninth bit, except that it is only set, not cleared. However, combined with the timer overflow interrupt that automatically clears the TOV0 Flag, the timer resolution can be increased by software. There are no special cases to consider in the Normal mode, a new counter value can be written anytime.

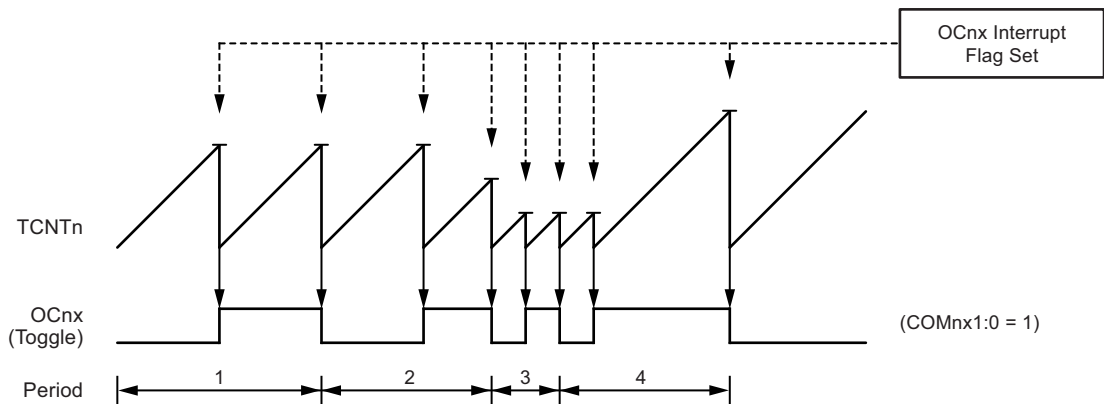
The output compare unit can be used to generate interrupts at some given time. Using the output compare to generate waveforms in normal mode is not recommended, since this will occupy too much of the CPU time.

12.6.2 Clear Timer on Compare Match (CTC) Mode

In clear timer on compare or CTC mode (WGM02:0 = 2), the OCR0A register is used to manipulate the counter resolution. In CTC mode the counter is cleared to zero when the counter value (TCNT0) matches the OCR0A. The OCR0A defines the top value for the counter, hence also its resolution. This mode allows greater control of the compare match output frequency. It also simplifies the operation of counting external events.

The timing diagram for the CTC mode is shown in Figure 12-5. The counter value (TCNT0) increases until a compare match occurs between TCNT0 and OCR0A, and then counter (TCNT0) is cleared.

Figure 12-5. CTC Mode, Timing Diagram



An interrupt can be generated each time the counter value reaches the TOP value by using the OCF0A flag. If the interrupt is enabled, the interrupt handler routine can be used for updating the TOP value. However, changing TOP to a value close to BOTTOM when the counter is running with none or a low prescaler value must be done with care since the CTC mode does not have the double buffering feature. If the new value written to OCR0A is lower than the current value of TCNT0, the counter will miss the compare match. The counter will then have to count to its maximum value (0xFF) and wrap around starting at 0x00 before the compare match can occur.

For generating a waveform output in CTC mode, the OC0A output can be set to toggle its logical level on each compare match by setting the compare output mode bits to toggle mode (COM0A1:0 = 1). The OC0A value will not be visible on the port pin unless the data direction for the pin is set to output. The waveform generated will have a maximum frequency of $f_{OC0} = f_{clk_I/O}/2$ when OCR0A is set to zero (0x00). The waveform frequency is defined by the following equation:

$$f_{OCnx} = \frac{f_{clk_I/O}}{2 \cdot N \cdot (1 + OCRnx)}$$

The N variable represents the prescale factor (1, 8, 64, 256, or 1024).

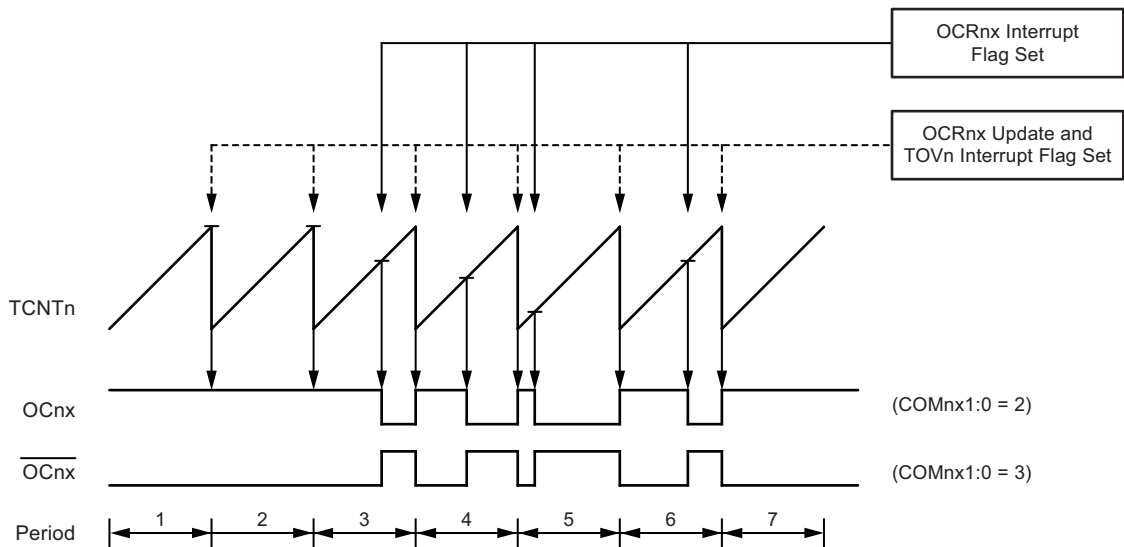
As for the Normal mode of operation, the TOV0 Flag is set in the same timer clock cycle that the counter counts from MAX to 0x00.

12.6.3 Fast PWM Mode

The fast pulse width modulation or fast PWM mode (WGM02:0 = 3 or 7) provides a high frequency PWM waveform generation option. The fast PWM differs from the other PWM option by its single-slope operation. The counter counts from BOTTOM to TOP then restarts from BOTTOM. TOP is defined as 0xFF when WGM2:0 = 3, and OCR0A when WGM2:0 = 7. In non-inverting compare output mode, the output compare (OC0x) is cleared on the compare match between TCNT0 and OCR0x, and set at BOTTOM. In inverting compare output mode, the output is set on compare match and cleared at BOTTOM. Due to the single-slope operation, the operating frequency of the fast PWM mode can be twice as high as the phase correct PWM mode that use dual-slope operation. This high frequency makes the fast PWM mode well suited for power regulation, rectification, and DAC applications. High frequency allows physically small sized external components (coils, capacitors), and therefore reduces total system cost.

In fast PWM mode, the counter is incremented until the counter value matches the TOP value. The counter is then cleared at the following timer clock cycle. The timing diagram for the fast PWM mode is shown in Figure 12-6. The TCNT0 value is in the timing diagram shown as a histogram for illustrating the single-slope operation. The diagram includes non-inverted and inverted PWM outputs. The small horizontal line marks on the TCNT0 slopes represent compare matches between OCR0x and TCNT0.

Figure 12-6. Fast PWM Mode, Timing Diagram



The Timer/Counter overflow flag (TOV0) is set each time the counter reaches TOP. If the interrupt is enabled, the interrupt handler routine can be used for updating the compare value.

In fast PWM mode, the compare unit allows generation of PWM waveforms on the OC0x pins. Setting the COM0x1:0 bits to two will produce a non-inverted PWM and an inverted PWM output can be generated by setting the COM0x1:0 to three: Setting the COM0A1:0 bits to one allows the OC0A pin to toggle on compare matches if the WGM02 bit is set. This option is not available for the OC0B pin (see Table 12-6 on page 88). The actual OC0x value will only be visible on the port pin if the data direction for the port pin is set as output. The PWM waveform is generated by setting (or clearing) the OC0x register at the compare match between OCR0x and TCNT0, and clearing (or setting) the OC0x register at the timer clock cycle the counter is cleared (changes from TOP to BOTTOM).

The PWM frequency for the output can be calculated by the following equation:

$$f_{OCnxPWM} = \frac{f_{clk_I/O}}{N \cdot 256}$$

The N variable represents the prescale factor (1, 8, 64, 256, or 1024).

The extreme values for the OCR0A register represents special cases when generating a PWM waveform output in the fast PWM mode. If the OCR0A is set equal to BOTTOM, the output will be a narrow spike for each MAX+1 timer clock cycle. Setting the OCR0A equal to MAX will result in a constantly high or low output (depending on the polarity of the output set by the COM0A1:0 bits.)

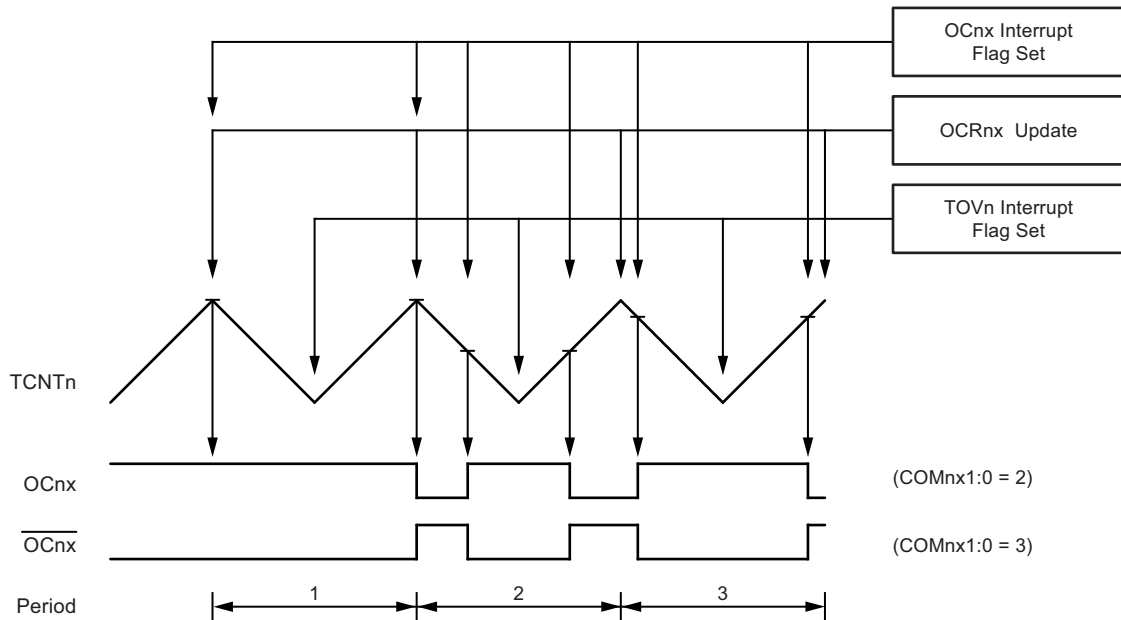
A frequency (with 50% duty cycle) waveform output in fast PWM mode can be achieved by setting OC0x to toggle its logical level on each compare match (COM0x1:0 = 1). The waveform generated will have a maximum frequency of $f_{OC0} = f_{clk_I/O}/2$ when OCR0A is set to zero. This feature is similar to the OC0A toggle in CTC mode, except the double buffer feature of the output compare unit is enabled in the fast PWM mode.

12.6.4 Phase Correct PWM Mode

The phase correct PWM mode (WGM02:0 = 1 or 5) provides a high resolution phase correct PWM waveform generation option. The phase correct PWM mode is based on a dual-slope operation. The counter counts repeatedly from BOTTOM to TOP and then from TOP to BOTTOM. TOP is defined as 0xFF when WGM2:0 = 1, and OCR0A when WGM2:0 = 5. In non-inverting Compare Output mode, the Output Compare (OC0x) is cleared on the compare match between TCNT0 and OCR0x while upcounting, and set on the compare match while downcounting. In inverting output compare mode, the operation is inverted. The dual-slope operation has lower maximum operation frequency than single slope operation. However, due to the symmetric feature of the dual-slope PWM modes, these modes are preferred for motor control applications.

In phase correct PWM mode the counter is incremented until the counter value matches TOP. When the counter reaches TOP, it changes the count direction. The TCNT0 value will be equal to TOP for one timer clock cycle. The timing diagram for the phase correct PWM mode is shown on Figure 12-7. The TCNT0 value is in the timing diagram shown as a histogram for illustrating the dual-slope operation. The diagram includes non-inverted and inverted PWM outputs. The small horizontal line marks on the TCNT0 slopes represent compare matches between OCR0x and TCNT0.

Figure 12-7. Phase Correct PWM Mode, Timing Diagram



The Timer/Counter overflow flag (TOV0) is set each time the counter reaches BOTTOM. The interrupt flag can be used to generate an interrupt each time the counter reaches the BOTTOM value.

In phase correct PWM mode, the compare unit allows generation of PWM waveforms on the OC0x pins. Setting the COM0x1:0 bits to two will produce a non-inverted PWM. An inverted PWM output can be generated by setting the COM0x1:0 to three: Setting the COM0A0 bits to one allows the OC0A pin to toggle on compare matches if the WGM02 bit is set. This option is not available for the OC0B pin (see Table 12-7 on page 88). The actual OC0x value will only be visible on the port pin if the data direction for the port pin is set as output. The PWM waveform is generated by clearing (or setting) the OC0x register at the compare match between OCR0x and TCNT0 when the counter increments, and setting (or clearing) the OC0x register at compare match between OCR0x and TCNT0 when the counter decrements. The PWM frequency for the output when using phase correct PWM can be calculated by the following equation:

$$f_{OCnxPCPWM} = \frac{f_{clk_I/O}}{N \cdot 510}$$

The N variable represents the prescale factor (1, 8, 64, 256, or 1024).

The extreme values for the OCR0A register represent special cases when generating a PWM waveform output in the phase correct PWM mode. If the OCR0A is set equal to BOTTOM, the output will be continuously low and if set equal to MAX the output will be continuously high for non-inverted PWM mode. For inverted PWM the output will have the opposite logic values.

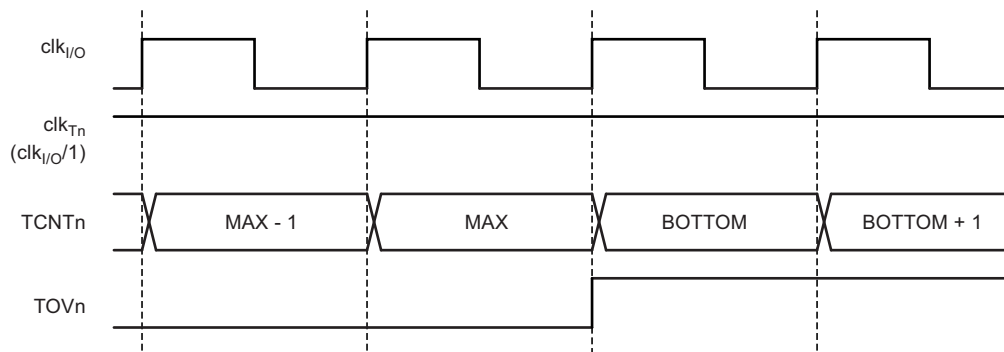
At the very start of period 2 in [Figure 12-7](#) OCnx has a transition from high to low even though there is no compare match. The point of this transition is to guarantee symmetry around BOTTOM. There are two cases that give a transition without compare match.

- OCRnx changes its value from MAX, like in [Figure 12-7](#). When the OCR0A value is MAX the OCn pin value is the same as the result of a down-counting compare match. To ensure symmetry around BOTTOM the OCnx value at MAX must correspond to the result of an up-counting compare match.
- The timer starts counting from a value higher than the one in OCRnx, and for that reason misses the compare match and hence the OCnx change that would have happened on the way up.

12.7 Timer/Counter Timing Diagrams

The Timer/Counter is a synchronous design and the timer clock (clk_{T0}) is therefore shown as a clock enable signal in the following figures. The figures include information on when interrupt flags are set. [Figure 12-8](#) contains timing data for basic Timer/Counter operation. The figure shows the count sequence close to the MAX value in all modes other than phase correct PWM mode.

Figure 12-8. Timer/Counter Timing Diagram, no Prescaling



[Figure 12-9](#) shows the same timing data, but with the prescaler enabled.

Figure 12-9. Timer/Counter Timing Diagram, with Prescaler ($f_{clk_{I/O}}/8$)

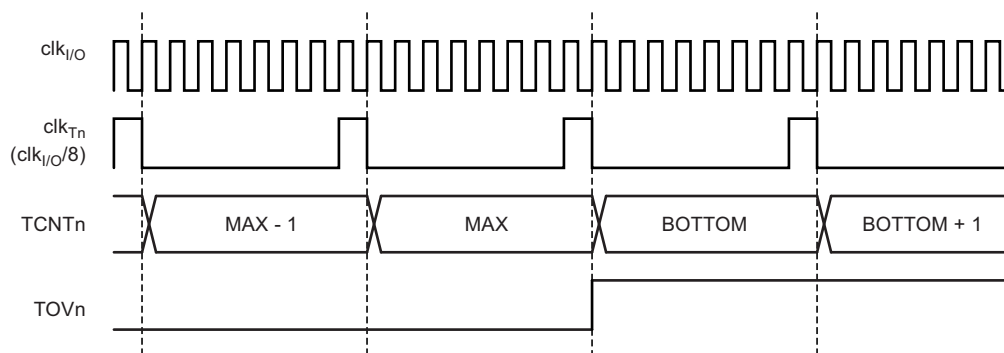


Figure 12-10 shows the setting of OCF0B in all modes and OCF0A in all modes except CTC mode and PWM mode, where OCR0A is TOP.

Figure 12-10. Timer/Counter Timing Diagram, Setting of OCF0x, with Prescaler ($f_{clk_I/O}/8$)

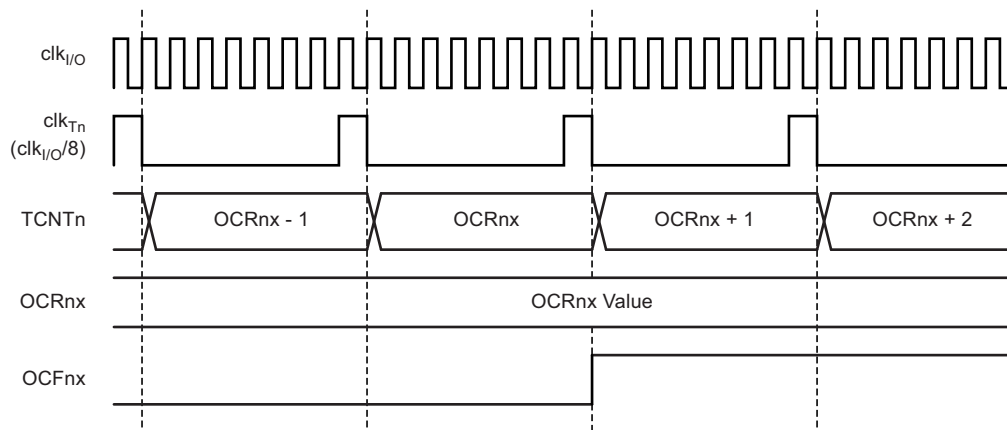
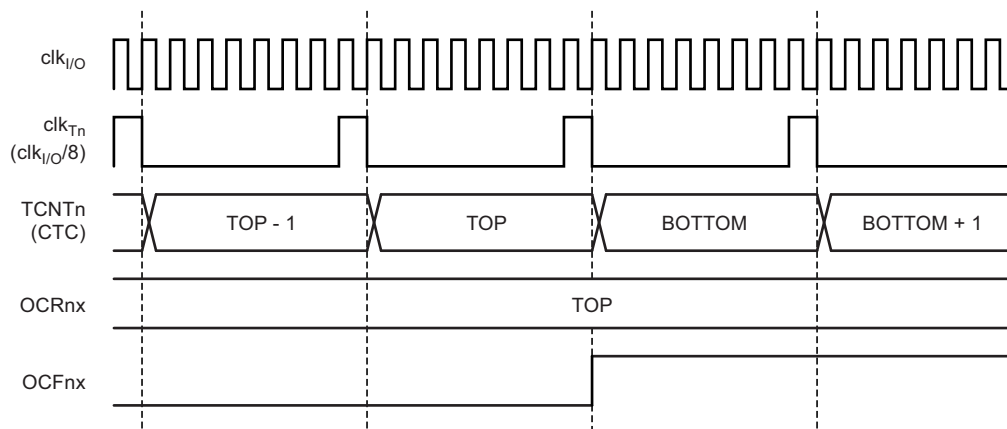


Figure 12-11 shows the setting of OCF0A and the clearing of TCNT0 in CTC mode and fast PWM mode where OCR0A is TOP.

Figure 12-11. Timer/Counter Timing Diagram, Clear Timer on Compare Match mode, with Prescaler ($f_{clk_I/O}/8$)



12.8 8-bit Timer/Counter Register Description

12.8.1 Timer/Counter Control Register A – TCCR0A

Bit	7	6	5	4	3	2	1	0	
	COM0A1	COM0A0	COM0B1	COM0B0	–	–	WGM01	WGM00	TCCR0A
Read/Write	R/W	R/W	R/W	R/W	R	R	R/W	R/W	
Initial Value	0	0	0	0	0	0	0	0	

- **Bits 7:6 – COM0A1:0: Compare Match Output A Mode**

These bits control the Output Compare pin (OC0A) behavior. If one or both of the COM0A1:0 bits are set, the OC0A output overrides the normal port functionality of the I/O pin it is connected to. However, note that the data direction register (DDR) bit corresponding to the OC0A pin must be set in order to enable the output driver.

When OC0A is connected to the pin, the function of the COM0A1:0 bits depends on the WGM02:0 bit setting. [Table 12-2 on page 87](#) shows the COM0A1:0 bit functionality when the WGM02:0 bits are set to a normal or CTC mode (non-PWM).

Table 12-2. Compare Output Mode, non-PWM Mode

COM0A1	COM0A0	Description
0	0	Normal port operation, OC0A disconnected.
0	1	Toggle OC0A on compare match
1	0	Clear OC0A on compare match
1	1	Set OC0A on compare match

Table 12-3 shows the COM0A1:0 bit functionality when the WGM01:0 bits are set to fast PWM mode.

Table 12-3. Compare Output Mode, Fast PWM Mode⁽¹⁾

COM0A1	COM0A0	Description
0	0	Normal port operation, OC0A disconnected.
0	1	WGM02 = 0: Normal port operation, OC0A disconnected. WGM02 = 1: Toggle OC0A on compare match.
1	0	Clear OC0A on compare match, set OC0A at TOP
1	1	Set OC0A on compare match, clear OC0A at TOP

Note: 1. A special case occurs when OCR0A equals TOP and COM0A1 is set. In this case, the compare match is ignored, but the set or clear is done at TOP. See [Section 12.6.3 “Fast PWM Mode” on page 83](#) for more details.

Table 12-4 shows the COM0A1:0 bit functionality when the WGM02:0 bits are set to phase correct PWM mode.

Table 12-4. Compare Output Mode, Phase Correct PWM Mode⁽¹⁾

COM0A1	COM0A0	Description
0	0	Normal port operation, OC0A disconnected.
0	1	WGM02 = 0: Normal port operation, OC0A disconnected. WGM02 = 1: Toggle OC0A on compare match.
1	0	Clear OC0A on compare match when up-counting. Set OC0A on compare match when down-counting.
1	1	Set OC0A on compare match when up-counting. Clear OC0A on compare match when down-counting.

Note: 1. A special case occurs when OCR0A equals TOP and COM0A1 is set. In this case, the compare match is ignored, but the set or clear is done at TOP. See [Section 13.8.4 “Phase Correct PWM Mode” on page 105](#) for more details.

- **Bits 5:4 – COM0B1:0: Compare Match Output B Mode**

These bits control the output compare pin (OC0B) behavior. If one or both of the COM0B1:0 bits are set, the OC0B output overrides the normal port functionality of the I/O pin it is connected to. However, note that the data direction register (DDR) bit corresponding to the OC0B pin must be set in order to enable the output driver.

When OC0B is connected to the pin, the function of the COM0B1:0 bits depends on the WGM02:0 bit setting. [Table 12-5](#) shows the COM0B1:0 bit functionality when the WGM02:0 bits are set to a normal or CTC mode (non-PWM).

Table 12-5. Compare Output Mode, non-PWM Mode

COM0B1	COM0B0	Description
0	0	Normal port operation, OC0B disconnected.
0	1	Toggle OC0B on compare match
1	0	Clear OC0B on compare match
1	1	Set OC0B on compare match

Table 12-6 shows the COM0B1:0 bit functionality when the WGM02:0 bits are set to fast PWM mode.

Table 12-6. Compare Output Mode, Fast PWM Mode⁽¹⁾

COM0B1	COM0B0	Description
0	0	Normal port operation, OC0B disconnected.
0	1	Reserved
1	0	Clear OC0B on compare match, set OC0B at TOP
1	1	Set OC0B on compare match, clear OC0B at TOP

Note: 1. A special case occurs when OCR0B equals TOP and COM0B1 is set. In this case, the compare match is ignored, but the set or clear is done at TOP. See Section 12.6.3 “Fast PWM Mode” on page 83 for more details.

Table 12-7 shows the COM0B1:0 bit functionality when the WGM02:0 bits are set to phase correct PWM mode.

Table 12-7. Compare Output Mode, Phase Correct PWM Mode⁽¹⁾

COM0B1	COM0B0	Description
0	0	Normal port operation, OC0B disconnected.
0	1	Reserved
1	0	Clear OC0B on compare match when up-counting. Set OC0B on compare match when down-counting.
1	1	Set OC0B on compare match when up-counting. Clear OC0B on compare match when down-counting.

Note: 1. A special case occurs when OCR0B equals TOP and COM0B1 is set. In this case, the compare match is ignored, but the set or clear is done at TOP. See Section 12.6.4 “Phase Correct PWM Mode” on page 84 for more details.

- **Bits 3, 2 – Res: Reserved Bits**

These bits are reserved bits in the ATmega16/32/64/M1/C1 and will always read as zero.

- **Bits 1:0 – WGM01:0: Waveform Generation Mode**

Combined with the WGM02 bit found in the TCCR0B register, these bits control the counting sequence of the counter, the source for maximum (TOP) counter value, and what type of waveform generation to be used, see Table 12-8. Modes of operation supported by the Timer/Counter unit are: Normal mode (counter), clear timer on compare match (CTC) mode, and two types of pulse width modulation (PWM) modes (see Section 12.6 “Modes of Operation” on page 81).

Table 12-8. Waveform Generation Mode Bit Description

Mode	WGM02	WGM01	WGM00	Timer/Counter Mode of Operation	TOP	Update of OCRx at	TOV Flag Set on ⁽¹⁾⁽²⁾
0	0	0	0	Normal	0xFF	Immediate	MAX
1	0	0	1	PWM, phase correct	0xFF	TOP	BOTTOM
2	0	1	0	CTC	OCRA	Immediate	MAX
3	0	1	1	Fast PWM	0xFF	TOP	MAX
4	1	0	0	Reserved	–	–	–
5	1	0	1	PWM, phase correct	OCRA	TOP	BOTTOM
6	1	1	0	Reserved	–	–	–
7	1	1	1	Fast PWM	OCRA	TOP	TOP

Notes: 1. MAX = 0xFF
2. BOTTOM = 0x00

12.8.2 Timer/Counter Control Register B – TCCR0B

Bit	7	6	5	4	3	2	1	0	
	FOC0A	FOC0B	–	–	WGM02	CS02	CS01	CS00	TCCR0B
Read/Write	W	W	R	R	R/W	R/W	R/W	R/W	
Initial Value	0	0	0	0	0	0	0	0	

- **Bit 7 – FOC0A: Force Output Compare A**

The FOC0A bit is only active when the WGM bits specify a non-PWM mode.

However, for ensuring compatibility with future devices, this bit must be set to zero when TCCR0B is written when operating in PWM mode. When writing a logical one to the FOC0A bit, an immediate compare match is forced on the waveform generation unit. The OC0A output is changed according to its COM0A1:0 bits setting. Note that the FOC0A bit is implemented as a strobe. Therefore it is the value present in the COM0A1:0 bits that determines the effect of the forced compare.

A FOC0A strobe will not generate any interrupt, nor will it clear the timer in CTC mode using OCR0A as TOP.

The FOC0A bit is always read as zero.

- **Bit 6 – FOC0B: Force Output Compare B**

The FOC0B bit is only active when the WGM bits specify a non-PWM mode.

However, for ensuring compatibility with future devices, this bit must be set to zero when TCCR0B is written when operating in PWM mode. When writing a logical one to the FOC0B bit, an immediate compare match is forced on the waveform generation unit. The OC0B output is changed according to its COM0B1:0 bits setting. Note that the FOC0B bit is implemented as a strobe. Therefore it is the value present in the COM0B1:0 bits that determines the effect of the forced compare.

A FOC0B strobe will not generate any interrupt, nor will it clear the timer in CTC mode using OCR0B as TOP.

The FOC0B bit is always read as zero.

- **Bits 5:4 – Res: Reserved Bits**

These bits are reserved bits in the ATmega16/32/64/M1/C1 and will always read as zero.

- **Bit 3 – WGM02: Waveform Generation Mode**

See the description in [Section 12.8.1 “Timer/Counter Control Register A – TCCR0A” on page 86](#).

- **Bits 2:0 – CS02:0: Clock Select**

The three clock select bits select the clock source to be used by the Timer/Counter.

Table 12-9. Clock Select Bit Description

CS02	CS01	CS00	Description
0	0	0	No clock source (Timer/Counter stopped)
0	0	1	clk _{IO} /(no prescaling)
0	1	0	clk _{IO} /8 (from prescaler)
0	1	1	clk _{IO} /64 (from prescaler)
1	0	0	clk _{IO} /256 (from prescaler)
1	0	1	clk _{IO} /1024 (from prescaler)
1	1	0	External clock source on T0 pin. Clock on falling edge.
1	1	1	External clock source on T0 pin. Clock on rising edge.

If external pin modes are used for the Timer/Counter0, transitions on the T0 pin will clock the counter even if the pin is configured as an output. This feature allows software control of the counting.

12.8.3 Timer/Counter Register – TCNT0

Bit	7	6	5	4	3	2	1	0	
	TCNT0[7:0]								TCNT0
Read/Write	R/W	R/W	R/W	R/W	R/W	R/W	R/W	R/W	
Initial Value	0	0	0	0	0	0	0	0	

The Timer/Counter register gives direct access, both for read and write operations, to the Timer/Counter unit 8-bit counter. Writing to the TCNT0 register blocks (removes) the compare match on the following timer clock. Modifying the counter (TCNT0) while the counter is running, introduces a risk of missing a compare match between TCNT0 and the OCR0x registers.

12.8.4 Output Compare Register A – OCR0A

Bit	7	6	5	4	3	2	1	0	
	OCR0A[7:0]								OCR0A
Read/Write	R/W	R/W	R/W	R/W	R/W	R/W	R/W	R/W	
Initial Value	0	0	0	0	0	0	0	0	

The output compare register A contains an 8-bit value that is continuously compared with the counter value (TCNT0). A match can be used to generate an output compare interrupt, or to generate a waveform output on the OC0A pin.

12.8.5 Output Compare Register B – OCR0B

Bit	7	6	5	4	3	2	1	0	
	OCR0B[7:0]								OCR0B
Read/Write	R/W	R/W	R/W	R/W	R/W	R/W	R/W	R/W	
Initial Value	0	0	0	0	0	0	0	0	

The output compare register B contains an 8-bit value that is continuously compared with the counter value (TCNT0). A match can be used to generate an output compare interrupt, or to generate a waveform output on the OC0B pin.

12.8.6 Timer/Counter Interrupt Mask Register – TIMSK0

Bit	7	6	5	4	3	2	1	0		
	-					OCIE0B	OCIE0A	TOIE0		TIMSK0
Read/Write	R	R	R	R	R	R/W	R/W	R/W		
Initial Value	0	0	0	0	0	0	0	0		

- **Bits 7..3 – Res: Reserved Bits**

These bits are reserved bits in the ATmega16/32/64/M1/C1 and will always read as zero.

- **Bit 2 – OCIE0B: Timer/Counter Output Compare Match B Interrupt Enable**

When the OCIE0B bit is written to one, and the I-bit in the status register is set, the Timer/Counter compare match B interrupt is enabled. The corresponding interrupt is executed if a compare match in Timer/Counter occurs, i.e., when the OCF0B bit is set in the Timer/Counter interrupt flag register – TIFR0.

- **Bit 1 – OCIE0A: Timer/Counter0 Output Compare Match A Interrupt Enable**

When the OCIE0A bit is written to one, and the I-bit in the status register is set, the Timer/Counter0 compare match A interrupt is enabled. The corresponding interrupt is executed if a compare match in Timer/Counter0 occurs, i.e., when the OCF0A bit is set in the Timer/Counter 0 interrupt flag register – TIFR0.

- **Bit 0 – TOIE0: Timer/Counter0 Overflow Interrupt Enable**

When the TOIE0 bit is written to one, and the I-bit in the status register is set, the Timer/Counter0 Overflow interrupt is enabled. The corresponding interrupt is executed if an overflow in Timer/Counter0 occurs, i.e., when the TOV0 bit is set in the Timer/Counter 0 interrupt flag register – TIFR0.

12.8.7 Timer/Counter 0 Interrupt Flag Register – TIFR0

Bit	7	6	5	4	3	2	1	0	
	–	–	–	–	–	OCF0B	OCF0A	TOV0	TIFR0
Read/Write	R	R	R	R	R	R/W	R/W	R/W	
Initial Value	0	0	0	0	0	0	0	0	

- **Bits 7..3 – Res: Reserved Bits**

These bits are reserved bits in the ATmega16/32/64/M1/C1 and will always read as zero.

- **Bit 2 – OCF0B: Timer/Counter 0 Output Compare B Match Flag**

The OCF0B bit is set when a compare match occurs between the Timer/Counter and the data in OCR0B – output compare Register0 B. OCF0B is cleared by hardware when executing the corresponding interrupt handling vector. Alternatively, OCF0B is cleared by writing a logic one to the flag. When the I-bit in SREG, OCIE0B (Timer/Counter compare B match interrupt enable), and OCF0B are set, the Timer/Counter compare match interrupt is executed.

- **Bit 1 – OCF0A: Timer/Counter 0 Output Compare A Match Flag**

The OCF0A bit is set when a compare match occurs between the Timer/Counter0 and the data in OCR0A – output compare Register0. OCF0A is cleared by hardware when executing the corresponding interrupt handling vector. Alternatively, OCF0A is cleared by writing a logic one to the flag. When the I-bit in SREG, OCIE0A (Timer/Counter0 compare match interrupt enable), and OCF0A are set, the Timer/Counter0 compare match interrupt is executed.

- **Bit 0 – TOV0: Timer/Counter0 Overflow Flag**

The bit TOV0 is set when an overflow occurs in Timer/Counter0. TOV0 is cleared by hardware when executing the corresponding interrupt handling vector. Alternatively, TOV0 is cleared by writing a logic one to the flag. When the SREG I-bit, TOIE0 (Timer/Counter0 Overflow Interrupt Enable), and TOV0 are set, the Timer/Counter0 Overflow interrupt is executed.

The setting of this flag is dependent of the WGM02:0 bit setting. Refer to [Table 12-8, “Waveform Generation Mode Bit Description”](#) on page 88.

13. 16-bit Timer/Counter1 with PWM

The 16-bit Timer/Counter unit allows accurate program execution timing (event management), wave generation, and signal timing measurement. The main features are:

- True 16-bit design (i.e., allows 16-bit PWM)
- Two independent output compare units
- Double buffered output compare registers
- One input capture unit
- Input capture noise canceler
- Retriggering function by external signal (ICP1A or ICP1B)
- Clear timer on compare match (auto reload)
- Glitch-free, phase correct pulse width modulator (PWM)
- Variable PWM period
- Frequency generator
- External event counter
- Four independent interrupt sources (TOV1, OCF1A, OCF1B, and ICF1)

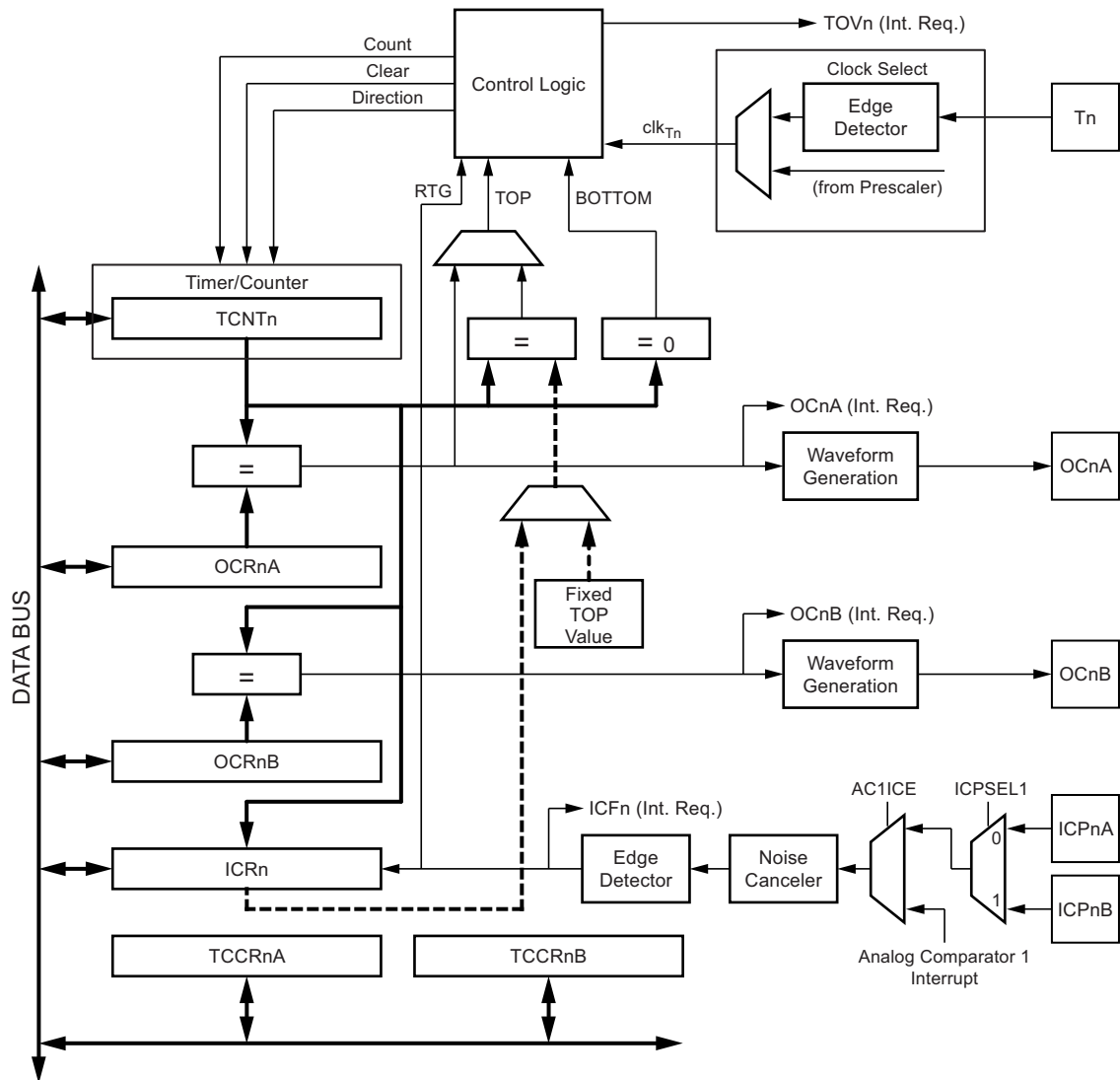
13.1 Overview

Most register and bit references in this section are written in general form. A lower case “n” replaces the Timer/Counter number, and a lower case “x” replaces the output compare unit channel. However, when using the register or bit defines in a program, the precise form must be used, i.e., TCNT1 for accessing Timer/Counter1 counter value and so on.

A simplified block diagram of the 16-bit Timer/Counter is shown in [Figure 13-1](#). For the actual placement of I/O pins, refer to [Section 1.1 “Pin Descriptions” on page 5](#). CPU accessible I/O registers, including I/O bits and I/O pins, are shown in bold. The device-specific I/O register and bit locations are listed in [Section 13.10 “16-bit Timer/Counter Register Description” on page 110](#).

The PRTIM1 bit in [Section 6.6 “Power Reduction Register” on page 36](#) must be written to zero to enable Timer/Counter1 module.

Figure 13-1. 16-bit Timer/Counter Block Diagram⁽¹⁾



Note: 1. Refer to [Table on page 5](#) for Timer/Counter 1 pin placement and description.

13.1.1 Registers

The Timer/Counter (TCNTn), output compare registers (OCRnx), and input capture register (ICRn) are all 16-bit registers. Special procedures must be followed when accessing the 16-bit registers. These procedures are described in [Section 13.2 “Accessing 16-bit Registers” on page 94](#). The Timer/Counter control registers (TCCRnx) are 8-bit registers and have no CPU access restrictions. Interrupt requests (abbreviated to Int.Req. in the figure) signals are all visible in the timer interrupt flag register (TIFRn). All interrupts are individually masked with the timer interrupt mask register (TIMSKn). TIFRn and TIMSKn are not shown in the figure.

The Timer/Counter can be clocked internally, via the prescaler, or by an external clock source on the Tn pin. The clock select logic block controls which clock source and edge the Timer/Counter uses to increment (or decrement) its value. The Timer/Counter is inactive when no clock source is selected. The output from the clock select logic is referred to as the timer clock (clk_{Tn}).

The double buffered output compare registers (OCRnx) are compared with the Timer/Counter value at all time. The result of the compare can be used by the waveform generator to generate a PWM or variable frequency output on the output compare pin (OCnx). See [Section 13.6 “Output Compare Units” on page 99](#). The compare match event will also set the compare match flag (OCFnx) which can be used to generate an output compare interrupt request.

The input capture register can capture the Timer/Counter value at a given external (edge triggered) event on either the input capture pin (ICPn). The input capture unit includes a digital filtering unit (noise canceler) for reducing the chance of capturing noise spikes. The TOP value, or maximum Timer/Counter value, can in some modes of operation be defined by either the OCRnA register, the ICRn register, or by a set of fixed values. When using OCRnA as TOP value in a PWM mode, the OCRnA register can not be used for generating a PWM output. However, the TOP value will in this case be double buffered allowing the TOP value to be changed in run time. If a fixed TOP value is required, the ICRn register can be used as an alternative, freeing the OCRnA to be used as PWM output.

13.1.2 Definitions

The following definitions are used extensively throughout the section:

BOTTOM	The counter reaches the <i>BOTTOM</i> when it becomes 0x0000.
MAX	The counter reaches its <i>MAX</i> imum when it becomes 0xFFFF (decimal 65535)
TOP	The counter reaches the <i>TOP</i> when it becomes equal to the highest value in the count sequence. The TOP value can be assigned to be one of the fixed values: 0x00FF, 0x01FF, or 0x03FF, or to the value stored in the OCRnA or ICRn register. The assignment is dependent of the mode of operation.

13.2 Accessing 16-bit Registers

The TCNTn, OCRnx, and ICRn are 16-bit registers that can be accessed by the AVR CPU via the 8-bit data bus. The 16-bit register must be byte accessed using two read or write operations. Each 16-bit timer has a single 8-bit register for temporary storing of the high byte of the 16-bit access. The same temporary register is shared between all 16-bit registers within each 16-bit timer. Accessing the low byte triggers the 16-bit read or write operation. When the low byte of a 16-bit register is written by the CPU, the high byte stored in the temporary register, and the low byte written are both copied into the 16-bit register in the same clock cycle. When the low byte of a 16-bit register is read by the CPU, the high byte of the 16-bit register is copied into the temporary register in the same clock cycle as the low byte is read.

Not all 16-bit accesses uses the temporary register for the high byte. Reading the OCRnx 16-bit registers does not involve using the temporary register. To do a 16-bit write, the high byte must be written before the low byte. For a 16-bit read, the low byte must be read before the high byte.

The following code examples show how to access the 16-bit Timer Registers assuming that no interrupts updates the temporary register. The same principle can be used directly for accessing the OCRnx and ICRn Registers. Note that when using "C", the compiler handles the 16-bit access.

Assembly Code Examples ⁽¹⁾
<pre> ... ; Set TCNTn to 0x01FF ldi r17,0x01 ldi r16,0xFF out TCNTnH,r17 out TCNTnL,r16 ; Read TCNTn into r17:r16 in r16,TCNTnL in r17,TCNTnH ... </pre>
C Code Examples ⁽¹⁾
<pre> unsigned int i; ... /* Set TCNTn to 0x01FF */ TCNTn = 0x1FF; /* Read TCNTn into i */ i = TCNTn; ... </pre>

Note: 1. The example code assumes that the part specific header file is included. For I/O registers located in extended I/O map, "IN", "OUT", "SBIS", "SBIC", "CBI", and "SBI" instructions must be replaced with instructions that allow access to extended I/O. Typically "LDS" and "STS" combined with "SBR", "SBRC", "SBR", and "CBR".

The assembly code example returns the TCNTn value in the r17:r16 register pair.

It is important to notice that accessing 16-bit registers are atomic operations. If an interrupt occurs between the two instructions accessing the 16-bit register, and the interrupt code updates the temporary register by accessing the same or any other of the 16-bit timer registers, then the result of the access outside the interrupt will be corrupted. Therefore, when both the main code and the interrupt code update the temporary register, the main code must disable the interrupts during the 16-bit access.

The following code examples show how to do an atomic read of the TCNTn Register contents. Reading any of the OCRnx or ICRn registers can be done by using the same principle.

Assembly Code Example ⁽¹⁾
<pre>TIM16_ReadTCNTn: ; Save global interrupt flag in r18,SREG ; Disable interrupts cli ; Read TCNTn into r17:r16 in r16,TCNTnL in r17,TCNTnH ; Restore global interrupt flag out SREG,r18 ret</pre>
C Code Example ⁽¹⁾
<pre>unsigned int TIM16_ReadTCNTn(void) { unsigned char sreg; unsigned int i; /* Save global interrupt flag */ sreg = SREG; /* Disable interrupts */ _CLI(); /* Read TCNTn into i */ i = TCNTn; /* Restore global interrupt flag */ SREG = sreg; return i; }</pre>

Note: 1. The example code assumes that the part specific header file is included.
For I/O registers located in extended I/O map, “IN”, “OUT”, “SBIS”, “SBIC”, “CBI”, and “SBI” instructions must be replaced with instructions that allow access to extended I/O. Typically “LDS” and “STS” combined with “SBRS”, “SBRC”, “SBR”, and “CBR”.

The assembly code example returns the TCNTn value in the r17:r16 register pair.

The following code examples show how to do an atomic write of the TCNTn register contents. Writing any of the OCRnx or ICRn Registers can be done by using the same principle.

Assembly Code Example ⁽¹⁾
<pre>TIM16_WriteTCNTn: ; Save global interrupt flag in r18,SREG ; Disable interrupts cli ; Set TCNTn to r17:r16 out TCNTnH,r17 out TCNTnL,r16 ; Restore global interrupt flag out SREG,r18 ret</pre>
C Code Example ⁽¹⁾
<pre>void TIM16_WriteTCNTn(unsigned int i) { unsigned char sreg; unsigned int i; /* Save global interrupt flag */ sreg = SREG; /* Disable interrupts */ _CLI(); /* Set TCNTn to i */ TCNTn = i; /* Restore global interrupt flag */ SREG = sreg; }</pre>

Note: 1. The example code assumes that the part specific header file is included. For I/O registers located in extended I/O map, “IN”, “OUT”, “SBIS”, “SBIC”, “CBI”, and “SBI” instructions must be replaced with instructions that allow access to extended I/O. Typically “LDS” and “STS” combined with “SBRS”, “SBRC”, “SBR”, and “CBR”.

The assembly code example requires that the r17:r16 register pair contains the value to be written to TCNTn.

13.2.1 Reusing the Temporary High Byte Register

If writing to more than one 16-bit register where the high byte is the same for all registers written, then the high byte only needs to be written once. However, note that the same rule of atomic operation described previously also applies in this case.

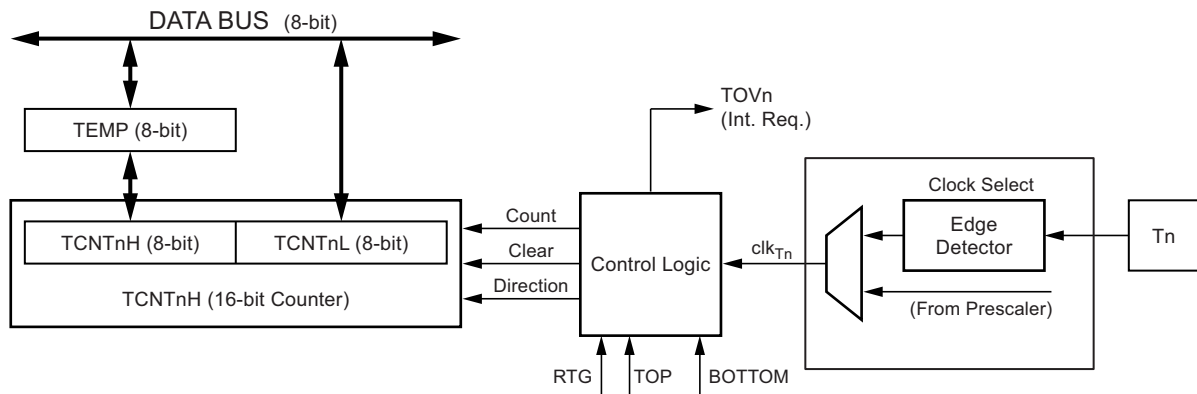
13.3 Timer/Counter Clock Sources

The Timer/Counter can be clocked by an internal or an external clock source. The clock source is selected by the clock select logic which is controlled by the *Clock Select* (CSn2:0) bits located in the *Timer/Counter Control Register B* (TCCRnB). For details on clock sources and prescaler, see [Section 11. “Timer/Counter0 and Timer/Counter1 Prescalers” on page 75](#).

13.4 Counter Unit

The main part of the 16-bit Timer/Counter is the programmable 16-bit bi-directional counter unit. Figure 13-2 shows a block diagram of the counter and its surroundings.

Figure 13-2. Counter Unit Block Diagram



Signal description (internal signals):

Count	Increment or decrement TCNTn by 1.
Direction	Select between increment and decrement.
Clear	Clear TCNTn (set all bits to zero).
clk _{Tn}	Timer/Counter clock.
TOP	Signalize that TCNTn has reached maximum value.
BOTTOM	Signalize that TCNTn has reached minimum value (zero).
RTG	An external event (ICP1A or ICP1B) asks for a TOP like action.

The 16-bit counter is mapped into two 8-bit I/O memory locations: *Counter High* (TCNTnH) containing the upper eight bits of the counter, and *Counter Low* (TCNTnL) containing the lower eight bits. The TCNTnH Register can only be indirectly accessed by the CPU. When the CPU does an access to the TCNTnH I/O location, the CPU accesses the high byte temporary register (TEMP). The temporary register is updated with the TCNTnH value when the TCNTnL is read, and TCNTnH is updated with the temporary register value when TCNTnL is written. This allows the CPU to read or write the entire 16-bit counter value within one clock cycle via the 8-bit data bus. It is important to notice that there are special cases of writing to the TCNTn register when the counter is counting that will give unpredictable results. The special cases are described in the sections where they are of importance.

Depending on the mode of operation used, the counter is cleared, incremented, or decremented at each *timer clock* (clk_{Tn}). The clk_{Tn} can be generated from an external or internal clock source, selected by the *Clock Select* bits (CSn2:0). When no clock source is selected (CSn2:0 = 0) the timer is stopped. However, the TCNTn value can be accessed by the CPU, independent of whether clk_{Tn} is present or not. A CPU write overrides (has priority over) all counter clear or count operations.

The counting sequence is determined by the setting of the *Waveform Generation mode* bits (WGMn3:0) located in the *Timer/Counter Control Registers A and B* (TCCRnA and TCCRnB). There are close connections between how the counter behaves (counts) and how waveforms are generated on the output compare outputs OCnx. For more details about advanced counting sequences and waveform generation, see [Section 13. “16-bit Timer/Counter1 with PWM” on page 92](#).

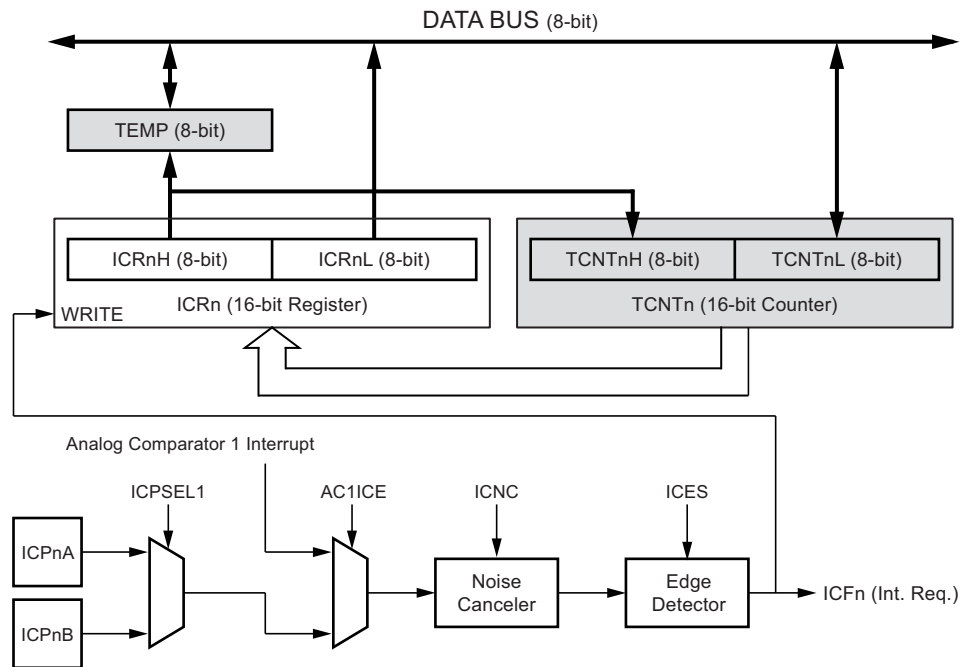
The Timer/Counter overflow flag (TOVn) is set according to the mode of operation selected by the WGMn3:0 bits. TOVn can be used for generating a CPU interrupt.

13.5 Input Capture Unit

The Timer/Counter incorporates an input capture unit that can capture external events and give them a time-stamp indicating time of occurrence. The external signal indicating an event, or multiple events, can be applied via the ICPn pin or alternatively, via the analog-comparator unit. The time-stamps can then be used to calculate frequency, duty-cycle, and other features of the signal applied. Alternatively the time-stamps can be used for creating a log of the events.

The input capture unit is illustrated by the block diagram shown in [Figure 13-3](#). The elements of the block diagram that are not directly a part of the input capture unit are gray shaded. The small “n” in register and bit names indicates the Timer/Counter number.

Figure 13-3. Input Capture Unit Block Diagram



When a change of the logic level (an event) occurs on the *Input Capture pin* (ICPn), alternatively on the *analog comparator output* (ACO), and this change confirms to the setting of the edge detector, a capture will be triggered. When a capture is triggered, the 16-bit value of the counter (TCNTn) is written to the *Input Capture Register* (ICRn). The *Input Capture Flag* (ICFn) is set at the same system clock as the TCNTn value is copied into ICRn register. If enabled (ICIE_n = 1), the input capture flag generates an input capture interrupt. The ICFn flag is automatically cleared when the interrupt is executed. Alternatively the ICFn Flag can be cleared by software by writing a logical one to its I/O bit location.

Reading the 16-bit value in the *Input Capture Register* (ICRn) is done by first reading the low byte (ICRnL) and then the high byte (ICRnH). When the low byte is read the high byte is copied into the high byte temporary register (TEMP). When the CPU reads the ICRnH I/O location it will access the TEMP register.

The ICRn register can only be written when using a waveform generation mode that utilizes the ICRn register for defining the counter's TOP value. In these cases the *Waveform Generation mode* (WGM_{n3:0}) bits must be set before the TOP value can be written to the ICRn register. When writing the ICRn register the high byte must be written to the ICRnH I/O location before the low byte is written to ICRnL.

For more information on how to access the 16-bit registers refer to [Section 13.2 “Accessing 16-bit Registers”](#) on page 94.

The ICF1 output can be used to retrigger the timer counter. It has the same effect than the TOP signal.

13.5.1 Input Capture Trigger Source

The trigger sources for the input capture unit are the *Input Capture pin* (ICP1A and ICP1B).

Be aware that changing trigger source can trigger a capture. The input capture flag must therefore be cleared after the change.

The *Input Capture pin* (ICPn) IS sampled using the same technique as for the Tn pin (Figure 11-1 on page 75). The edge detector is also identical. However, when the noise canceler is enabled, additional logic is inserted before the edge detector, which increases the delay by four system clock cycles. Note that the input of the noise canceler and edge detector is always enabled unless the Timer/Counter is set in a Waveform Generation mode that uses ICRn to define TOP.

An input capture can be triggered by software by controlling the port of the ICPn pin.

13.5.2 Noise Canceler

The noise canceler improves noise immunity by using a simple digital filtering scheme. The noise canceler input is monitored over four samples, and all four must be equal for changing the output that in turn is used by the edge detector.

The noise canceler is enabled by setting the *Input Capture Noise Canceler* (ICNCn) bit in *Timer/Counter Control Register B* (TCCRnB). When enabled the noise canceler introduces additional four system clock cycles of delay from a change applied to the input, to the update of the ICRn register. The noise canceler uses the system clock and is therefore not affected by the prescaler.

13.5.3 Using the Input Capture Unit

The main challenge when using the input capture unit is to assign enough processor capacity for handling the incoming events. The time between two events is critical. If the processor has not read the captured value in the ICRn register before the next event occurs, the ICRn will be overwritten with a new value. In this case the result of the capture will be incorrect.

When using the input capture interrupt, the ICRn register should be read as early in the interrupt handler routine as possible. Even though the input capture interrupt has relatively high priority, the maximum interrupt response time is dependent on the maximum number of clock cycles it takes to handle any of the other interrupt requests.

Using the input capture unit in any mode of operation when the TOP value (resolution) is actively changed during operation, is not recommended.

Measurement of an external signal's duty cycle requires that the trigger edge is changed after each capture. Changing the edge sensing must be done as early as possible after the ICRn register has been read. After a change of the edge, the input capture flag (ICFn) must be cleared by software (writing a logical one to the I/O bit location). For measuring frequency only, the clearing of the ICFn flag is not required (if an interrupt handler is used).

13.5.4 Using the Input Capture Unit as TCNT1 Retrigger Input

TCNT1 counts from BOTTOM to TOP. The TOP value can be a fixed value, ICR1, or OCR1A. When enabled the retrigger input forces to reach the TOP value. It means that ICF1 output is ored with the TOP signal.

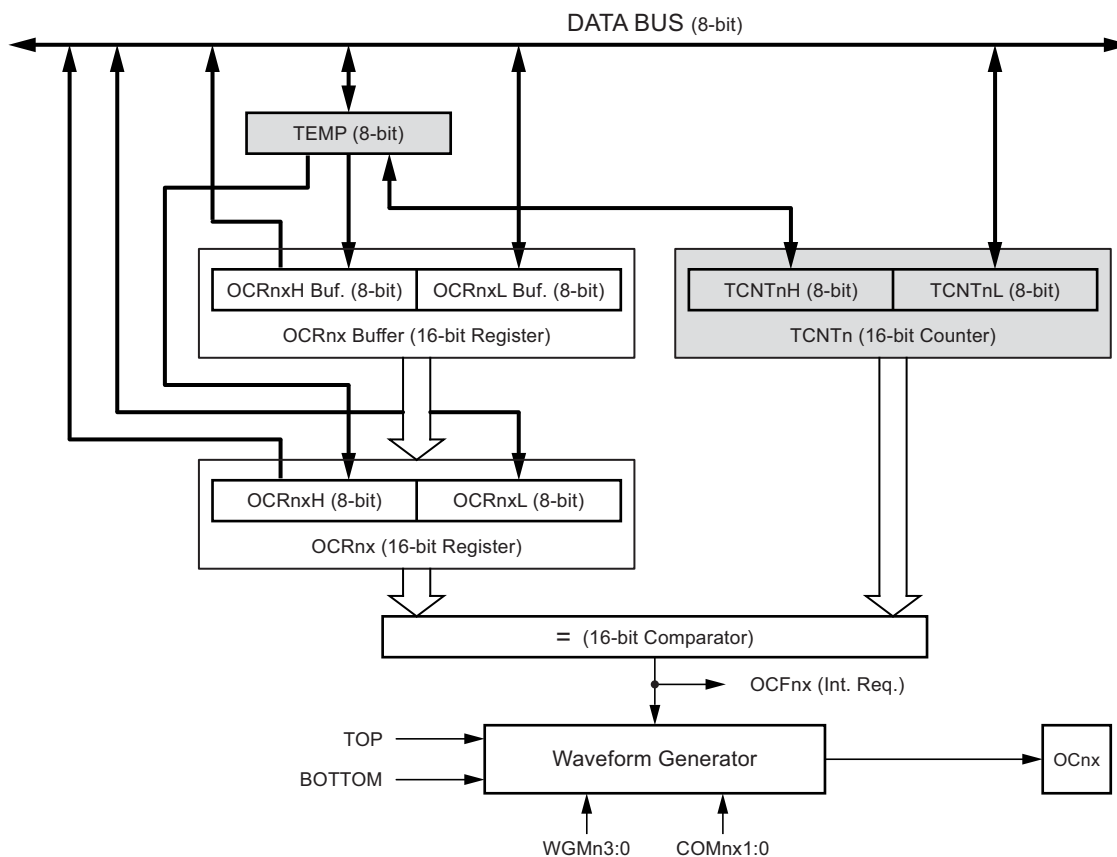
13.6 Output Compare Units

The 16-bit comparator continuously compares TCNTn with the *Output Compare Register* (OCRnx). If TCNT equals OCRnx the comparator signals a match. A match will set the *Output Compare Flag* (OCFnx) at the next timer clock cycle. If enabled (OCIE_n = 1), the output compare flag generates an output compare interrupt. The OCFnx flag is automatically cleared when the interrupt is executed. Alternatively the OCFnx flag can be cleared by software by writing a logical one to its I/O bit location. The waveform generator uses the match signal to generate an output according to operating mode set by the *Waveform Generation mode* (WGM_{n3:0}) bits and *Compare Output mode* (COM_{n1:0}) bits. The TOP and BOTTOM signals are used by the waveform generator for handling the special cases of the extreme values in some modes of operation (see Section 13. "16-bit Timer/Counter1 with PWM" on page 92)

A special feature of output compare unit A allows it to define the Timer/Counter TOP value (i.e., counter resolution). In addition to the counter resolution, the TOP value defines the period time for waveforms generated by the waveform generator.

Figure 13-4 shows a block diagram of the output compare unit. The small "n" in the register and bit names indicates the device number (n = n for Timer/Counter n), and the "x" indicates output compare unit (x). The elements of the block diagram that are not directly a part of the output compare unit are gray shaded.

Figure 13-4. Output Compare Unit, Block Diagram



The OCRnx register is double buffered when using any of the twelve *Pulse Width Modulation* (PWM) modes. For the normal and *Clear Timer on Compare* (CTC) modes of operation, the double buffering is disabled. The double buffering synchronizes the update of the OCRnx compare register to either TOP or BOTTOM of the counting sequence. The synchronization prevents the occurrence of odd-length, non-symmetrical PWM pulses, thereby making the output glitch-free.

The OCRnx register access may seem complex, but this is not case. When the double buffering is enabled, the CPU has access to the OCRnx buffer register, and if double buffering is disabled the CPU will access the OCRnx directly. The content of the OCR1x (buffer or compare) register is only changed by a write operation (the Timer/Counter does not update this register automatically as the TCNT1 and ICR1 register). Therefore OCR1x is not read via the high byte temporary register (TEMP). However, it is a good practice to read the low byte first as when accessing other 16-bit registers. Writing the OCRnx registers must be done via the TEMP register since the compare of all 16 bits is done continuously. The high byte (OCRnxH) has to be written first. When the high byte I/O location is written by the CPU, the TEMP register will be updated by the value written. Then when the low byte (OCRnxL) is written to the lower eight bits, the high byte will be copied into the upper 8-bits of either the OCRnx buffer or OCRnx compare register in the same system clock cycle.

For more information of how to access the 16-bit registers refer to [Section 13.2 “Accessing 16-bit Registers”](#) on page 94.

13.6.1 Force Output Compare

In non-PWM waveform generation modes, the match output of the comparator can be forced by writing a one to the *Force Output Compare* (FOCNx) bit. Forcing compare match will not set the OCFnx Flag or reload/clear the timer, but the OCnx pin will be updated as if a real compare match had occurred (the COMn1:0 bits settings define whether the OCnx pin is set, cleared or toggled).

13.6.2 Compare Match Blocking by TCNTn Write

All CPU writes to the TCNTn register will block any compare match that occurs in the next timer clock cycle, even when the timer is stopped. This feature allows OCRnx to be initialized to the same value as TCNTn without triggering an interrupt when the Timer/Counter clock is enabled.

13.6.3 Using the Output Compare Unit

Since writing TCNTn in any mode of operation will block all compare matches for one timer clock cycle, there are risks involved when changing TCNTn when using any of the output compare channels, independent of whether the Timer/Counter is running or not. If the value written to TCNTn equals the OCRnx value, the compare match will be missed, resulting in incorrect waveform generation. Do not write the TCNTn equal to TOP in PWM modes with variable TOP values. The compare match for the TOP will be ignored and the counter will continue to 0xFFFF. Similarly, do not write the TCNTn value equal to BOTTOM when the counter is downcounting.

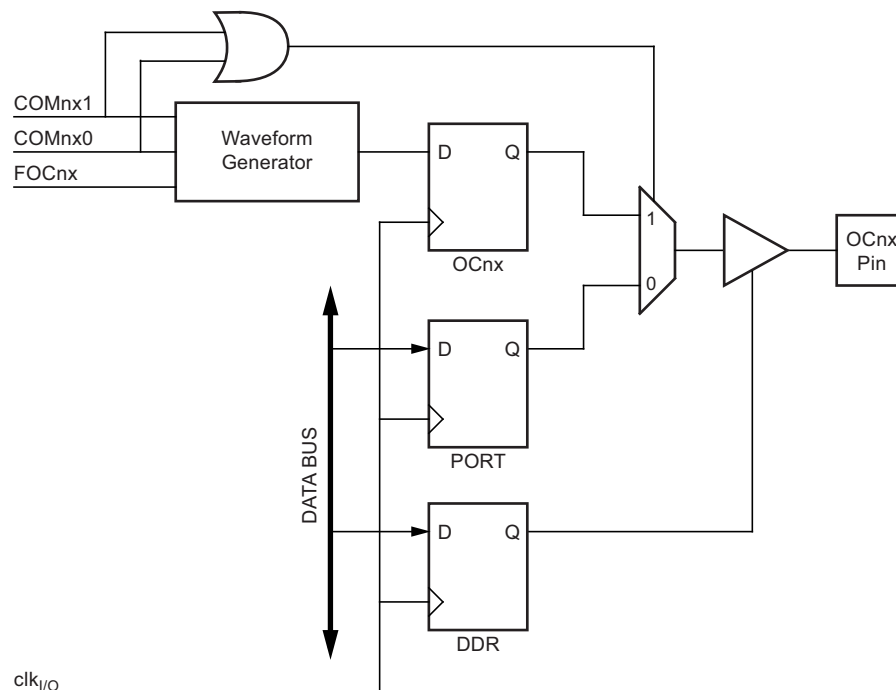
The setup of the OCnx should be performed before setting the data direction register for the port pin to output. The easiest way of setting the OCnx value is to use the force output compare (FOCnx) strobe bits in normal mode. The OCnx register keeps its value even when changing between waveform generation modes.

Be aware that the COMnx1:0 bits are not double buffered together with the compare value. Changing the COMnx1:0 bits will take effect immediately.

13.7 Compare Match Output Unit

The *Compare Output mode* (COMnx1:0) bits have two functions. The waveform generator uses the COMnx1:0 bits for defining the output compare (OCnx) state at the next compare match. Secondly the COMnx1:0 bits control the OCnx pin output source. [Figure 13-5](#) shows a simplified schematic of the logic affected by the COMnx1:0 bit setting. The I/O registers, I/O bits, and I/O pins in the figure are shown in bold. Only the parts of the general I/O port control registers (DDR and PORT) that are affected by the COMnx1:0 bits are shown. When referring to the OCnx state, the reference is for the internal OCnx register, not the OCnx pin. If a system reset occur, the OCnx register is reset to “0”.

Figure 13-5. Compare Match Output Unit, Schematic



The general I/O port function is overridden by the output compare (OCnx) from the waveform generator if either of the COMnx1:0 bits are set. However, the OCnx pin direction (input or output) is still controlled by the *Data Direction Register* (DDR) for the port pin. The data direction register bit for the OCnx pin (DDR_OCnx) must be set as output before the OCnx value is visible on the pin. The port override function is generally independent of the waveform generation mode, but there are some exceptions. Refer to [Table 13-1](#), [Table 13-2](#) and [Table 13-3 on page 111](#) for details.

The design of the Output Compare pin logic allows initialization of the OCnx state before the output is enabled. Note that some COMnx1:0 bit settings are reserved for certain modes of operation. See [Section 13.10 “16-bit Timer/Counter Register Description” on page 110](#).

The COMnx1:0 bits have no effect on the input capture unit.

13.7.1 Compare Output Mode and Waveform Generation

The waveform generator uses the COMnx1:0 bits differently in normal, CTC, and PWM modes. For all modes, setting the COMnx1:0 = 0 tells the waveform generator that no action on the OCnx register is to be performed on the next compare match. For compare output actions in the non-PWM modes refer to [Table 13-1 on page 110](#). For fast PWM mode refer to [Table 13-2 on page 110](#), and for phase correct and phase and frequency correct PWM refer to [Table 13-3 on page 111](#).

A change of the COMnx1:0 bits state will have effect at the first compare match after the bits are written. For non-PWM modes, the action can be forced to have immediate effect by using the FOCnx strobe bits.

13.8 Modes of Operation

The mode of operation, i.e., the behavior of the Timer/Counter and the output compare pins, is defined by the combination of the *Waveform Generation mode* (WGMn3:0) and *Compare Output mode* (COMnx1:0) bits. The Compare Output mode bits do not affect the counting sequence, while the waveform generation mode bits do. The COMnx1:0 bits control whether the PWM output generated should be inverted or not (inverted or non-inverted PWM). For non-PWM modes the COMnx1:0 bits control whether the output should be set, cleared or toggle at a compare match (see [Section 13.7 “Compare Match Output Unit” on page 101](#)). For detailed timing information refer to [Section 13.9 “Timer/Counter Timing Diagrams” on page 108](#).

13.8.1 Normal Mode

The simplest mode of operation is the *Normal mode* (WGMn3:0 = 0). In this mode the counting direction is always up (incrementing), and no counter clear is performed. The counter simply overruns when it passes its maximum 16-bit value (MAX = 0xFFFF) and then restarts from the BOTTOM (0x0000). In normal operation the *Timer/Counter Overflow Flag* (TOVn) will be set in the same timer clock cycle as the TCNTn becomes zero. The TOVn flag in this case behaves like a 17th bit, except that it is only set, not cleared. However, combined with the timer overflow interrupt that automatically clears the TOVn flag, the timer resolution can be increased by software. There are no special cases to consider in the normal mode, a new counter value can be written anytime.

The input capture unit is easy to use in normal mode. However, observe that the maximum interval between the external events must not exceed the resolution of the counter. If the interval between events are too long, the timer overflow interrupt or the prescaler must be used to extend the resolution for the capture unit.

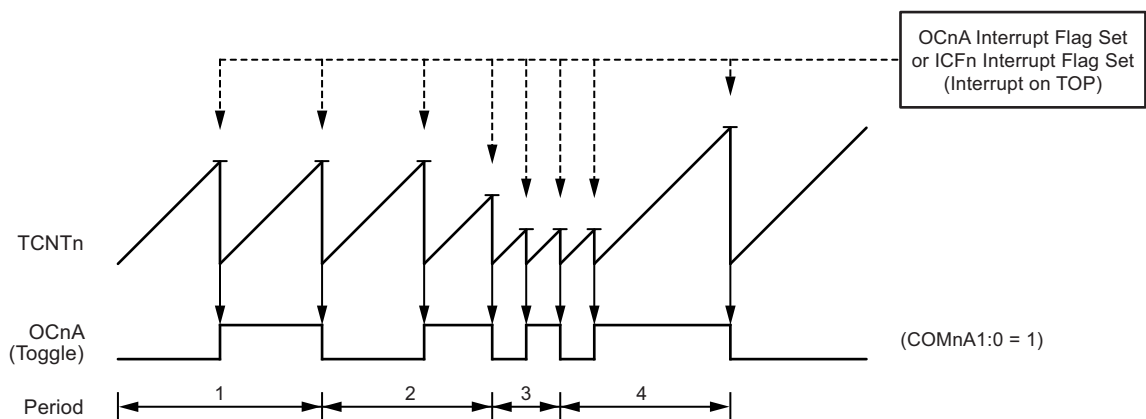
The output compare units can be used to generate interrupts at some given time. Using the output compare to generate waveforms in normal mode is not recommended, since this will occupy too much of the CPU time.

13.8.2 Clear Timer on Compare Match (CTC) Mode

In *Clear Timer on Compare* or CTC mode (WGMn3:0 = 4 or 12), the OCRnA or ICRn register are used to manipulate the counter resolution. In CTC mode the counter is cleared to zero when the counter value (TCNTn) matches either the OCRnA (WGMn3:0 = 4) or the ICRn (WGMn3:0 = 12). The OCRnA or ICRn define the top value for the counter, hence also its resolution. This mode allows greater control of the compare match output frequency. It also simplifies the operation of counting external events.

The timing diagram for the CTC mode is shown in [Figure 13-6](#). The counter value (TCNTn) increases until a compare match occurs with either OCRnA or ICRn, and then counter (TCNTn) is cleared.

Figure 13-6. CTC Mode, Timing Diagram



An interrupt can be generated at each time the counter value reaches the TOP value by either using the OCFnA or ICFn flag according to the register used to define the TOP value. If the interrupt is enabled, the interrupt handler routine can be used for updating the TOP value. However, changing the TOP to a value close to BOTTOM when the counter is running with none or a low prescaler value must be done with care since the CTC mode does not have the double buffering feature. If the new value written to OCRnA or ICRn is lower than the current value of TCNTn, the counter will miss the compare match. The counter will then have to count to its maximum value (0xFFFF) and wrap around starting at 0x0000 before the compare match can occur. In many cases this feature is not desirable. An alternative will then be to use the fast PWM mode using OCRnA for defining TOP (WGMn3:0 = 15) since the OCRnA then will be double buffered.

For generating a waveform output in CTC mode, the OCnA output can be set to toggle its logical level on each compare match by setting the compare output mode bits to toggle mode (COMnA1:0 = 1). The OCnA value will not be visible on the port pin unless the data direction for the pin is set to output (DDR_OCnA = 1). The waveform generated will have a maximum frequency of $f_{OCnA} = f_{clk_I/O}/2$ when OCRnA is set to zero (0x0000). The waveform frequency is defined by the following equation:

$$f_{OCnA} = \frac{f_{clk_I/O}}{2 \cdot N \cdot (1 + OCRnA)}$$

The N variable represents the prescaler factor (1, 8, 64, 256, or 1024).

As for the normal mode of operation, the TOVn flag is set in the same timer clock cycle that the counter counts from MAX to 0x0000.

13.8.3 Fast PWM Mode

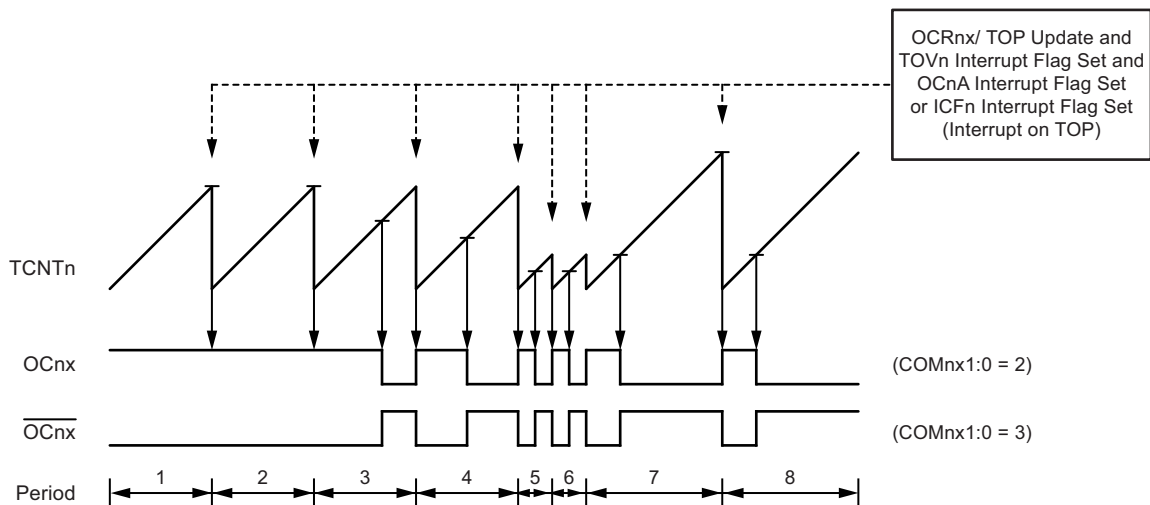
The *fast Pulse Width Modulation* or fast PWM mode (WGMn3:0 = 5, 6, 7, 14, or 15) provides a high frequency PWM waveform generation option. The fast PWM differs from the other PWM options by its single-slope operation. The counter counts from BOTTOM to TOP then restarts from BOTTOM. In non-inverting compare output mode, the output compare (OCnx) is set on the compare match between TCNTn and OCRnx, and cleared at TOP. In inverting compare output mode output is cleared on compare match and set at TOP. Due to the single-slope operation, the operating frequency of the fast PWM mode can be twice as high as the phase correct and phase and frequency correct PWM modes that use dual-slope operation. This high frequency makes the fast PWM mode well suited for power regulation, rectification, and DAC applications. High frequency allows physically small sized external components (coils, capacitors), hence reduces total system cost.

The PWM resolution for fast PWM can be fixed to 8-, 9-, or 10-bit, or defined by either ICRn or OCRnA. The minimum resolution allowed is 2-bit (ICRn or OCRnA set to 0x0003), and the maximum resolution is 16-bit (ICRn or OCRnA set to MAX). The PWM resolution in bits can be calculated by using the following equation:

$$R_{FPWM} = \frac{\log(TOP + 1)}{\log(2)}$$

In fast PWM mode the counter is incremented until the counter value matches either one of the fixed values 0x00FF, 0x01FF, or 0x03FF (WGMn3:0 = 5, 6, or 7), the value in ICRn (WGMn3:0 = 14), or the value in OCRnA (WGMn3:0 = 15). The counter is then cleared at the following timer clock cycle. The timing diagram for the fast PWM mode is shown in [Figure 13-7](#). The figure shows fast PWM mode when OCRnA or ICRn is used to define TOP. The TCNTn value is in the timing diagram shown as a histogram for illustrating the single-slope operation. The diagram includes non-inverted and inverted PWM outputs. The small horizontal line marks on the TCNTn slopes represent compare matches between OCRnx and TCNTn. The OCnx interrupt flag will be set when a compare match occurs.

Figure 13-7. Fast PWM Mode, Timing Diagram



The Timer/Counter overflow flag (TOVn) is set each time the counter reaches TOP. In addition the OCnA or ICFn Flag is set at the same timer clock cycle as TOVn is set when either OCRnA or ICRn is used for defining the TOP value. If one of the interrupts are enabled, the interrupt handler routine can be used for updating the TOP and compare values.

When changing the TOP value the program must ensure that the new TOP value is higher or equal to the value of all of the compare registers. If the TOP value is lower than any of the compare registers, a compare match will never occur between the TCNTn and the OCRnx. Note that when using fixed TOP values the unused bits are masked to zero when any of the OCRnx registers are written.

The procedure for updating ICRn differs from updating OCRnA when used for defining the TOP value. The ICRn register is not double buffered. This means that if ICRn is changed to a low value when the counter is running with none or a low prescaler value, there is a risk that the new ICRn value written is lower than the current value of TCNTn. The result will then be that the counter will miss the compare match at the TOP value. The counter will then have to count to the MAX value (0xFFFF) and wrap around starting at 0x0000 before the compare match can occur. The OCRnA Register however, is double buffered.

This feature allows the OCRnA I/O location to be written anytime. When the OCRnA I/O location is written the value written will be put into the OCRnA buffer register.

The OCRnA compare register will then be updated with the value in the buffer register at the next timer clock cycle the TCNTn matches TOP. The update is done at the same timer clock cycle as the TCNTn is cleared and the TOVn flag is set.

Using the ICRn register for defining TOP works well when using fixed TOP values. By using ICRn, the OCRnA register is free to be used for generating a PWM output on OCnA. However, if the base PWM frequency is actively changed (by changing the TOP value), using the OCRnA as TOP is clearly a better choice due to its double buffer feature.

In fast PWM mode, the compare units allow generation of PWM waveforms on the OCnx pins. Setting the COMnx1:0 bits to two will produce a non-inverted PWM and an inverted PWM output can be generated by setting the COMnx1:0 to three (see [Table on page 110](#)). The actual OCnx value will only be visible on the port pin if the data direction for the port pin is set as output (DDR_OCnx). The PWM waveform is generated by setting (or clearing) the OCnx Register at the compare match between OCRnx and TCNTn, and clearing (or setting) the OCnx Register at the timer clock cycle the counter is cleared (changes from TOP to BOTTOM).

The PWM frequency for the output can be calculated by the following equation:

$$f_{OCnxPWM} = \frac{f_{clk_I/O}}{N \cdot (1 + TOP)}$$

The N variable represents the prescaler divider (1, 8, 64, 256, or 1024).

The extreme values for the OCRnx Register represents special cases when generating a PWM waveform output in the fast PWM mode. If the OCRnx is set equal to BOTTOM (0x0000) the output will be a narrow spike for each TOP+1 timer clock cycle. Setting the OCRnx equal to TOP will result in a constant high or low output (depending on the polarity of the output set by the COMnx1:0 bits.)

A frequency (with 50% duty cycle) waveform output in fast PWM mode can be achieved by setting OCN_A to toggle its logical level on each compare match (COM_{nA}1:0 = 1). This applies only if OCR_{1A} is used to define the TOP value (WGM_{13:0} = 15). The waveform generated will have a maximum frequency of $f_{OCnA} = f_{clk_I/O}/2$ when OCR_{nA} is set to zero (0x0000). This feature is similar to the OCN_A toggle in CTC mode, except the double buffer feature of the Output Compare unit is enabled in the fast PWM mode.

13.8.4 Phase Correct PWM Mode

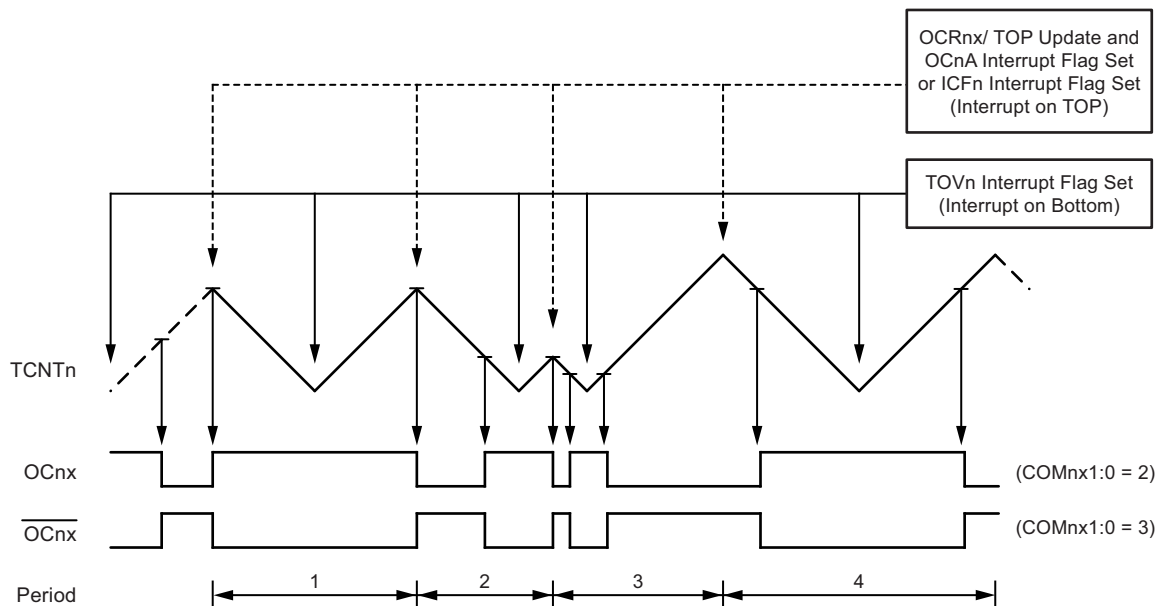
The *phase correct Pulse Width Modulation* or phase correct PWM mode (WGM_{n3:0} = 1, 2, 3, 10, or 11) provides a high resolution phase correct PWM waveform generation option. The phase correct PWM mode is, like the phase and frequency correct PWM mode, based on a dual-slope operation. The counter counts repeatedly from BOTTOM (0x0000) to TOP and then from TOP to BOTTOM. In non-inverting compare output mode, the output compare (OC_n) is cleared on the compare match between TCNT_n and OCR_n while upcounting, and set on the compare match while downcounting. In inverting output compare mode, the operation is inverted. The dual-slope operation has lower maximum operation frequency than single slope operation. However, due to the symmetric feature of the dual-slope PWM modes, these modes are preferred for motor control applications.

The PWM resolution for the phase correct PWM mode can be fixed to 8-, 9-, or 10-bit, or defined by either ICR_n or OCR_{nA}. The minimum resolution allowed is 2-bit (ICR_n or OCR_{nA} set to 0x0003), and the maximum resolution is 16-bit (ICR_n or OCR_{nA} set to MAX). The PWM resolution in bits can be calculated by using the following equation:

$$R_{PCPWM} = \frac{\log(TOP + 1)}{\log(2)}$$

In phase correct PWM mode the counter is incremented until the counter value matches either one of the fixed values 0x00FF, 0x01FF, or 0x03FF (WGM_{n3:0} = 1, 2, or 3), the value in ICR_n (WGM_{n3:0} = 10), or the value in OCR_{nA} (WGM_{n3:0} = 11). The counter has then reached the TOP and changes the count direction. The TCNT_n value will be equal to TOP for one timer clock cycle. The timing diagram for the phase correct PWM mode is shown on Figure 13-8. The figure shows phase correct PWM mode when OCR_{nA} or ICR_n is used to define TOP. The TCNT_n value is in the timing diagram shown as a histogram for illustrating the dual-slope operation. The diagram includes non-inverted and inverted PWM outputs. The small horizontal line marks on the TCNT_n slopes represent compare matches between OCR_n and TCNT_n. The OC_n Interrupt flag will be set when a compare match occurs.

Figure 13-8. Phase Correct PWM Mode, Timing Diagram



The Timer/Counter overflow flag (TOVn) is set each time the counter reaches BOTTOM. When either OCRnA or ICRn is used for defining the TOP value, the OCNnA or ICFn flag is set accordingly at the same timer clock cycle as the OCRn registers are updated with the double buffer value (at TOP). The interrupt flags can be used to generate an interrupt each time the counter reaches the TOP or BOTTOM value.

When changing the TOP value the program must ensure that the new TOP value is higher or equal to the value of all of the compare registers. If the TOP value is lower than any of the compare registers, a compare match will never occur between the TCNTn and the OCRn. Note that when using fixed TOP values, the unused bits are masked to zero when any of the OCRn Registers are written. As the third period shown in [Figure 13-8](#) illustrates, changing the TOP actively while the Timer/Counter is running in the phase correct mode can result in an unsymmetrical output.

The reason for this can be found in the time of update of the OCRn Register. Since the OCRn update occurs at TOP, the PWM period starts and ends at TOP. This implies that the length of the falling slope is determined by the previous TOP value, while the length of the rising slope is determined by the new TOP value. When these two values differ the two slopes of the period will differ in length. The difference in length gives the unsymmetrical result on the output.

It is recommended to use the phase and frequency correct mode instead of the phase correct mode when changing the TOP value while the Timer/Counter is running. When using a static TOP value there are practically no differences between the two modes of operation.

In phase correct PWM mode, the compare units allow generation of PWM waveforms on the OCn pins. Setting the COMn1:0 bits to two will produce a non-inverted PWM and an inverted PWM output can be generated by setting the COMn1:0 to three (See [Table on page 111](#)). The actual OCn value will only be visible on the port pin if the data direction for the port pin is set as output (DDR_OCn). The PWM waveform is generated by setting (or clearing) the OCn register at the compare match between OCRn and TCNTn when the counter increments, and clearing (or setting) the OCn register at compare match between OCRn and TCNTn when the counter decrements. The PWM frequency for the output when using phase correct PWM can be calculated by the following equation:

$$f_{OCnPCPWM} = \frac{f_{clk_I/O}}{2 \cdot N \cdot TOP}$$

The N variable represents the prescaler divider (1, 8, 64, 256, or 1024).

The extreme values for the OCRn register represent special cases when generating a PWM waveform output in the phase correct PWM mode. If the OCRn is set equal to BOTTOM the output will be continuously low and if set equal to TOP the output will be continuously high for non-inverted PWM mode. For inverted PWM the output will have the opposite logic values. If OCR1A is used to define the TOP value (WGM13:0 = 11) and COM1A1:0 = 1, the OC1A output will toggle with a 50% duty cycle.

13.8.5 Phase and Frequency Correct PWM Mode

The *phase and frequency correct Pulse Width Modulation*, or phase and frequency correct PWM mode (WGMn3:0 = 8 or 9) provides a high resolution phase and frequency correct PWM waveform generation option. The phase and frequency correct PWM mode is, like the phase correct PWM mode, based on a dual-slope operation. The counter counts repeatedly from BOTTOM (0x0000) to TOP and then from TOP to BOTTOM. In non-inverting compare output mode, the output compare (OCn) is cleared on the compare match between TCNTn and OCRn while upcounting, and set on the compare match while downcounting. In inverting compare output mode, the operation is inverted. The dual-slope operation gives a lower maximum operation frequency compared to the single-slope operation. However, due to the symmetric feature of the dual-slope PWM modes, these modes are preferred for motor control applications.

The main difference between the phase correct, and the phase and frequency correct PWM mode is the time the OCRn Register is updated by the OCRn buffer register, (see [Figure 13-8](#) and [Figure 13-9 on page 107](#)).

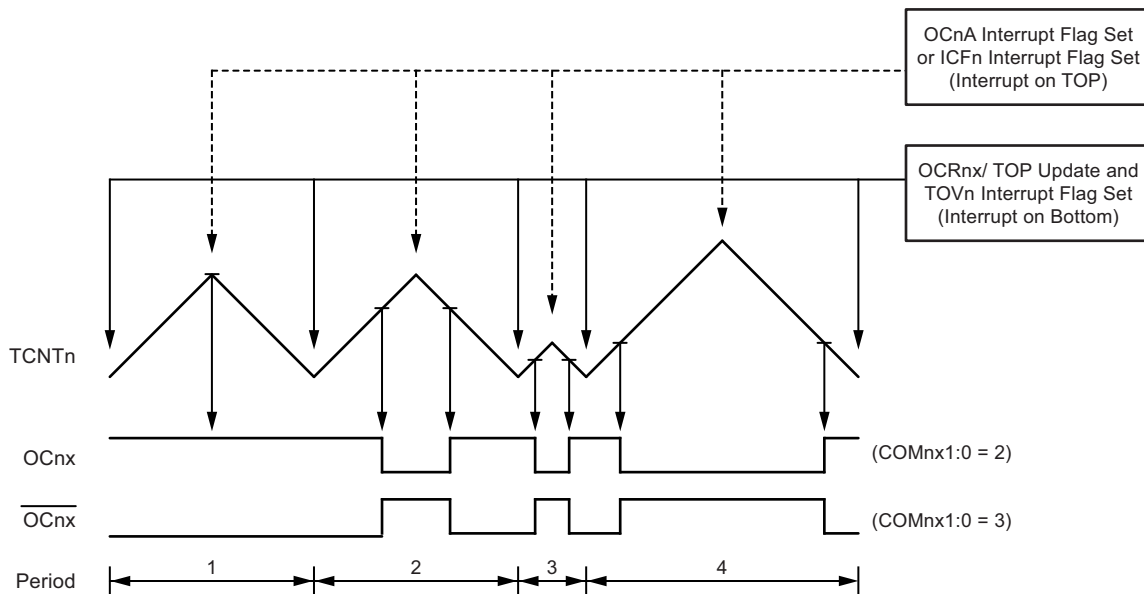
The PWM resolution for the phase and frequency correct PWM mode can be defined by either ICRn or OCRnA. The minimum resolution allowed is 2-bit (ICRn or OCRnA set to 0x0003), and the maximum resolution is 16-bit (ICRn or OCRnA set to MAX). The PWM resolution in bits can be calculated using the following equation:

$$R_{PFCPWM} = \frac{\log(TOP + 1)}{\log(2)}$$

In phase and frequency correct PWM mode the counter is incremented until the counter value matches either the value in ICRn (WGMn3:0 = 8), or the value in OCRnA (WGMn3:0 = 9). The counter has then reached the TOP and changes the count direction. The TCNTn value will be equal to TOP for one timer clock cycle. The timing diagram for the phase correct and frequency correct PWM mode is shown on [Figure 13-9](#). The figure shows phase and frequency correct PWM mode when OCRnA or ICRn is used to define TOP. The TCNTn value is in the timing diagram shown as a histogram for illustrating the dual-slope operation. The diagram includes non-inverted and inverted PWM outputs.

The small horizontal line marks on the TCNTn slopes represent compare matches between OCRnx and TCNTn. The OCnx interrupt flag will be set when a compare match occurs.

Figure 13-9. Phase and Frequency Correct PWM Mode, Timing Diagram



The Timer/Counter overflow flag (TOVn) is set at the same timer clock cycle as the OCRnx registers are updated with the double buffer value (at BOTTOM). When either OCRnA or ICRn is used for defining the TOP value, the OCnA or ICFn flag is set when TCNTn has reached TOP. The interrupt flags can then be used to generate an interrupt each time the counter reaches the TOP or BOTTOM value.

When changing the TOP value the program must ensure that the new TOP value is higher or equal to the value of all of the compare registers. If the TOP value is lower than any of the compare registers, a compare match will never occur between the TCNTn and the OCRnx.

As [Figure 13-9](#) shows the output generated is, in contrast to the phase correct mode, symmetrical in all periods. Since the OCRnx registers are updated at BOTTOM, the length of the rising and the falling slopes will always be equal. This gives symmetrical output pulses and is therefore frequency correct.

Using the ICRn register for defining TOP works well when using fixed TOP values. By using ICRn, the OCRnA register is free to be used for generating a PWM output on OCnA. However, if the base PWM frequency is actively changed by changing the TOP value, using the OCRnA as TOP is clearly a better choice due to its double buffer feature.

In phase and frequency correct PWM mode, the compare units allow generation of PWM waveforms on the OCnx pins. Setting the COMnx1:0 bits to two will produce a non-inverted PWM and an inverted PWM output can be generated by setting the COMnx1:0 to three (See [Table on page 111](#)). The actual OCnx value will only be visible on the port pin if the data direction for the port pin is set as output (DDR_OCnx). The PWM waveform is generated by setting (or clearing) the OCnx register at the compare match between OCRnx and TCNTn when the counter increments, and clearing (or setting) the OCnx register at compare match between OCRnx and TCNTn when the counter decrements. The PWM frequency for the output when using phase and frequency correct PWM can be calculated by the following equation:

$$f_{OCnxPFCPWM} = \frac{f_{clk_I/O}}{2 \cdot N \cdot TOP}$$

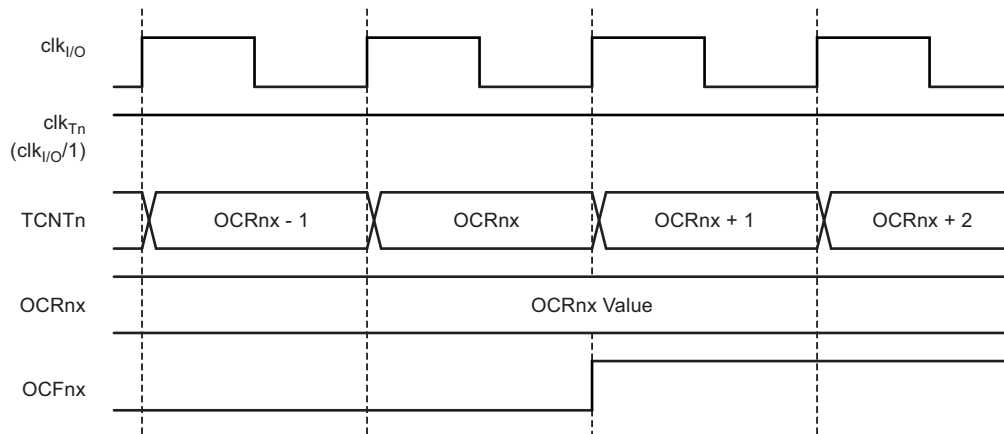
The N variable represents the prescaler divider (1, 8, 64, 256, or 1024).

The extreme values for the OCRnx register represents special cases when generating a PWM waveform output in the phase correct PWM mode. If the OCRnx is set equal to BOTTOM the output will be continuously low and if set equal to TOP the output will be set to high for non-inverted PWM mode. For inverted PWM the output will have the opposite logic values. If OCR1A is used to define the TOP value ($WGM13:0 = 9$) and $COM1A1:0 = 1$, the OC1A output will toggle with a 50% duty cycle.

13.9 Timer/Counter Timing Diagrams

The Timer/Counter is a synchronous design and the timer clock (clk_{Tn}) is therefore shown as a clock enable signal in the following figures. The figures include information on when Interrupt Flags are set, and when the OCRnx register is updated with the OCRnx buffer value (only for modes utilizing double buffering). [Figure 13-10](#) shows a timing diagram for the setting of OCFnx.

Figure 13-10. Timer/Counter Timing Diagram, Setting of OCFnx, no Prescaling



[Figure 13-11](#) shows the same timing data, but with the prescaler enabled.

Figure 13-11. Timer/Counter Timing Diagram, Setting of OCFnx, with Prescaler ($f_{clk_{I/O}}/8$)

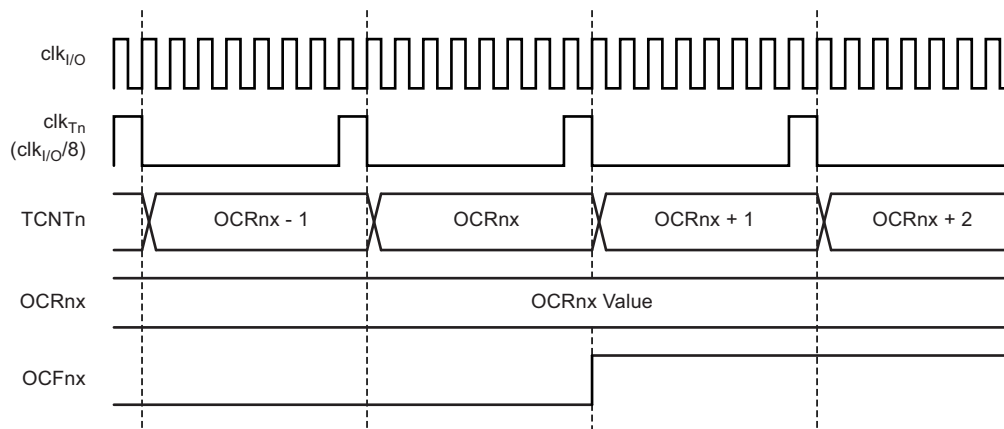


Figure 13-12 shows the count sequence close to TOP in various modes. When using phase and frequency correct PWM mode the OCRnx register is updated at BOTTOM. The timing diagrams will be the same, but TOP should be replaced by BOTTOM, TOP-1 by BOTTOM+1 and so on. The same renaming applies for modes that set the TOVn Flag at BOTTOM.

Figure 13-12. Timer/Counter Timing Diagram, no Prescaling

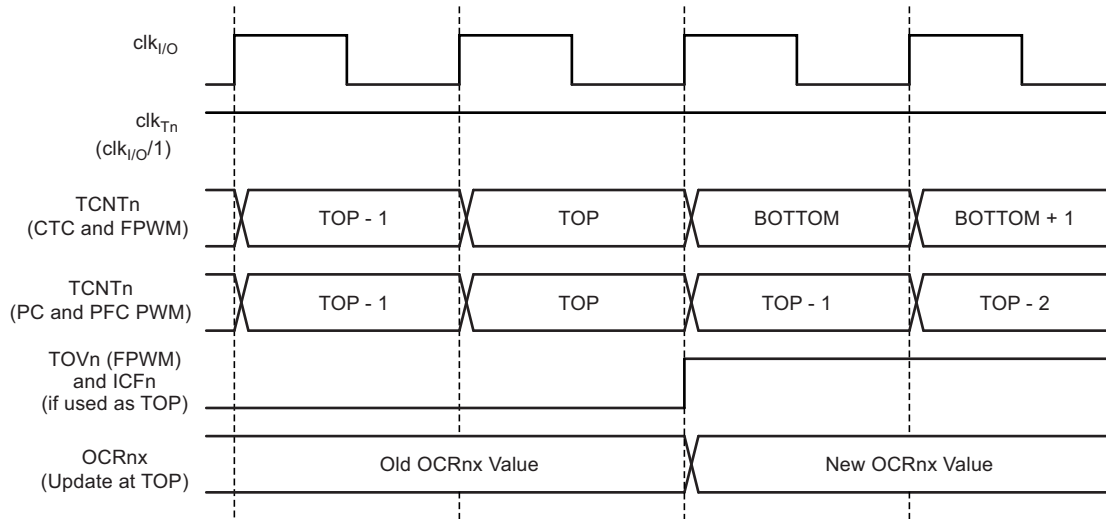
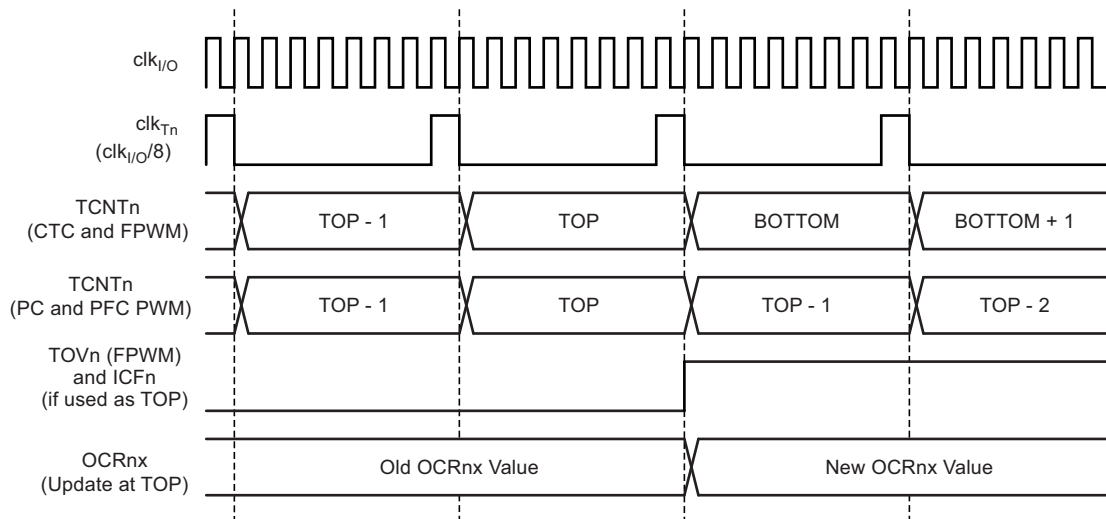


Figure 13-13 shows the same timing data, but with the prescaler enabled.

Figure 13-13. Timer/Counter Timing Diagram, with Prescaler ($f_{clk_I/O}/8$)



13.10 16-bit Timer/Counter Register Description

13.10.1 Timer/Counter1 Control Register A – TCCR1A

Bit	7	6	5	4	3	2	1	0	
	COM1A1	COM1A0	COM1B1	COM1B0	–	–	WGM11	WGM10	TCCR1A
Read/Write	R/W	R/W	R/W	R/W	R	R	R/W	R/W	
Initial Value	0	0	0	0	0	0	0	0	

- **Bit 7:6 – COMnA1:0: Compare Output Mode for Channel A**
- **Bit 5:4 – COMnB1:0: Compare Output Mode for Channel B**

The COMnA1:0 and COMnB1:0 control the output compare pins (OCnA and OCnB respectively) behavior. If one or both of the COMnA1:0 bits are written to one, the OCnA output overrides the normal port functionality of the I/O pin it is connected to. If one or both of the COMnB1:0 bit are written to one, the OCnB output overrides the normal port functionality of the I/O pin it is connected to. However, note that the *Data Direction Register (DDR)* bit corresponding to the OCnA or OCnB pin must be set in order to enable the output driver.

When the OCnA or OCnB is connected to the pin, the function of the COMnx1:0 bits is dependent of the WGMn3:0 bits setting. [Table 13-1](#) shows the COMnx1:0 bit functionality when the WGMn3:0 bits are set to a Normal or a CTC mode (non-PWM).

Table 13-1. Compare Output Mode, non-PWM

COMnA1/COMnB1	COMnA0/COMnB0	Description
0	0	Normal port operation, OCnA/OCnB disconnected.
0	1	Toggle OCnA/OCnB on compare match.
1	0	Clear OCnA/OCnB on compare match (set output to low level).
1	1	Set OCnA/OCnB on compare match (set output to high level).

[Table 13-2](#) shows the COMnx1:0 bit functionality when the WGMn3:0 bits are set to the fast PWM mode.

Table 13-2. Compare Output Mode, Fast PWM⁽¹⁾

COMnA1/COMnB1	COMnA0/COMnB0	Description
0	0	Normal port operation, OCnA/OCnB disconnected.
0	1	WGMn3:0 = 14 or 15: Toggle OC1A on compare match, OC1B disconnected (normal port operation). For all other WGM1 settings, normal port operation, OC1A/OC1B disconnected.
1	0	Clear OCnA/OCnB on compare match, set OCnA/OCnB at TOP
1	1	Set OCnA/OCnB on compare match, clear OCnA/OCnB at TOP

Note: 1. A special case occurs when OCRnA/OCRnB equals TOP and COMnA1/COMnB1 is set. In this case the compare match is ignored, but the set or clear is done at TOP. See [Section 13.8.3 “Fast PWM Mode” on page 103](#) for more details.

Table 13-3 shows the COMnX1:0 bit functionality when the WGMn3:0 bits are set to the phase correct or the phase and frequency correct, PWM mode.

Table 13-3. Compare Output Mode, Phase Correct and Phase and Frequency Correct PWM⁽¹⁾

COMnA1/COMnB1	COMnA0/COMnB0	Description
0	0	Normal port operation, OCnA/OCnB disconnected.
0	1	WGMn3:0 = 8, 9 10 or 11: Toggle OCnA on compare match, OCnB disconnected (normal port operation). For all other WGM1 settings, normal port operation, OC1A/OC1B disconnected.
1	0	Clear OCnA/OCnB on compare match when up-counting. Set OCnA/OCnB on compare match when downcounting.
1	1	Set OCnA/OCnB on compare match when up-counting. Clear OCnA/OCnB on compare match when downcounting.

Note: 1. A special case occurs when OCRnA/OCRnB equals TOP and COMnA1/COMnB1 is set. See Section 13.8.4 “Phase Correct PWM Mode” on page 105 for more details.

• **Bit 1:0 – WGMn1:0: Waveform Generation Mode**

Combined with the WGMn3:2 bits found in the TCCRnB register, these bits control the counting sequence of the counter, the source for maximum (TOP) counter value, and what type of waveform generation to be used, see Table 13-4. Modes of operation supported by the Timer/Counter unit are: normal mode (counter), clear timer on compare match (CTC) mode, and three types of Pulse Width Modulation (PWM) modes (see Section 13. “16-bit Timer/Counter1 with PWM” on page 92).

Table 13-4. Waveform Generation Mode Bit Description⁽¹⁾

Mode	WGMn3	WGMn2 (CTCn)	WGMn1 (PWMn1)	WGMn0 (PWMn0)	Timer/Counter Mode of Operation	TOP	Update of OCRnX at	TOVn Flag Set on
0	0	0	0	0	Normal	0xFFFF	Immediate	MAX
1	0	0	0	1	PWM, phase correct, 8-bit	0x00FF	TOP	BOTTOM
2	0	0	1	0	PWM, phase correct, 9-bit	0x01FF	TOP	BOTTOM
3	0	0	1	1	PWM, phase correct, 10-bit	0x03FF	TOP	BOTTOM
4	0	1	0	0	CTC	OCRnA	Immediate	MAX
5	0	1	0	1	Fast PWM, 8-bit	0x00FF	TOP	TOP
6	0	1	1	0	Fast PWM, 9-bit	0x01FF	TOP	TOP
7	0	1	1	1	Fast PWM, 10-bit	0x03FF	TOP	TOP
8	1	0	0	0	PWM, phase and frequency correct	ICRn	BOTTOM	BOTTOM
9	1	0	0	1	PWM, phase and frequency correct	OCRnA	BOTTOM	BOTTOM
10	1	0	1	0	PWM, phase correct	ICRn	TOP	BOTTOM
11	1	0	1	1	PWM, phase correct	OCRnA	TOP	BOTTOM
12	1	1	0	0	CTC	ICRn	Immediate	MAX
13	1	1	0	1	(Reserved)	–	–	–
14	1	1	1	0	Fast PWM	ICRn	TOP	TOP
15	1	1	1	1	Fast PWM	OCRnA	TOP	TOP

Note: 1. The CTCn and PWMn1:0 bit definition names are obsolete. Use the WGMn2:0 definitions. However, the functionality and location of these bits are compatible with previous versions of the timer.

13.10.2 Timer/Counter1 Control Register B – TCCR1B

Bit	7	6	5	4	3	2	1	0	
	ICNC1	ICES1	RTGEN	WGM13	WGM12	CS12	CS11	CS10	TCCR1B
Read/Write	R/W	R/W	R	R/W	R/W	R/W	R/W	R/W	
Initial Value	0	0	0	0	0	0	0	0	

- **Bit 7 – ICNCn: Input Capture Noise Canceler**

Setting this bit (to one) activates the input capture noise canceler. When the noise canceler is activated, the input from the input capture pin (ICPn) is filtered. The filter function requires four successive equal valued samples of the ICPn pin for changing its output. The input capture is therefore delayed by four oscillator cycles when the noise canceler is enabled.

- **Bit 6 – ICESn: Input Capture Edge Select**

This bit selects which edge on the input capture pin (ICPn) that is used to trigger a capture event. When the ICESn bit is written to zero, a falling (negative) edge is used as trigger, and when the ICESn bit is written to one, a rising (positive) edge will trigger the capture.

When a capture is triggered according to the ICESn setting, the counter value is copied into the input capture register (ICRn). The event will also set the input capture flag (ICF_n), and this can be used to cause an input capture interrupt, if this interrupt is enabled.

When the ICRn is used as TOP value (see description of the WGMn3:0 bits located in the TCCRnA and the TCCRnB register), the ICPn is disconnected and consequently the input capture function is disabled.

- **Bit 5 – RTGEN**

Set this bit to enable the ICP1A as a Timer/Counter retrigger input.

(This bit is reserved for future use. For ensuring compatibility with future devices, this bit must be written to zero when TCCRnB is written.)

- **Bit 4:3 – WGMn3:2: Waveform Generation Mode**

See TCCRnA register description.

- **Bit 2:0 – CSn2:0: Clock Select**

The three clock select bits select the clock source to be used by the Timer/Counter, see [Figure 13-10](#) and [Figure 13-11](#).

Table 13-5. Clock Select Bit Description

CSn2	CSn1	CSn0	Description
0	0	0	No clock source (Timer/Counter stopped).
0	0	1	clk _{IO} /1 (no prescaling)
0	1	0	clk _{IO} /8 (from prescaler)
0	1	1	clk _{IO} /64 (from prescaler)
1	0	0	clk _{IO} /256 (from prescaler)
1	0	1	clk _{IO} /1024 (from prescaler)
1	1	0	External clock source on Tn pin. Clock on falling edge.
1	1	1	External clock source on Tn pin. Clock on rising edge.

If external pin modes are used for the Timer/Counter, transitions on the Tn pin will clock the counter even if the pin is configured as an output. This feature allows software control of the counting.

13.10.3 Timer/Counter1 Control Register C – TCCR1C

Bit	7	6	5	4	3	2	1	0	
	FOC1A	FOC1B	–	–	–	–	–	–	TCCR1C
Read/Write	R/W	R/W	R	R	R	R	R	R	
Initial Value	0	0	0	0	0	0	0	0	

- **Bit 7 – FOCnA: Force Output Compare for Channel A**
- **Bit 6 – FOCnB: Force Output Compare for Channel B**

The FOCnA/FOCnB bits are only active when the WGMn3:0 bits specifies a non-PWM mode. However, for ensuring compatibility with future devices, these bits must be set to zero when TCCRnA is written when operating in a PWM mode. When writing a logical one to the FOCnA/FOCnB bit, an immediate compare match is forced on the waveform generation unit. The OCnA/OCnB output is changed according to its COMnx1:0 bits setting. Note that the FOCnA/FOCnB bits are implemented as strobes. Therefore it is the value present in the COMnx1:0 bits that determine the effect of the forced compare.

A FOCnA/FOCnB strobe will not generate any interrupt nor will it clear the timer in clear timer on Compare match (CTC) mode using OCRnA as TOP.

The FOCnA/FOCnB bits are always read as zero.

13.10.4 Timer/Counter1 – TCNT1H and TCNT1L

Bit	7	6	5	4	3	2	1	0	
	TCNT1[15:8]								TCNT1H
	TCNT1[7:0]								TCNT1L
Read/Write	R/W	R/W	R/W	R/W	R/W	R/W	R/W	R/W	
Initial Value	0	0	0	0	0	0	0	0	

The two *Timer/Counter I/O* locations (TCNTnH and TCNTnL, combined TCNTn) give direct access, both for read and for write operations, to the Timer/Counter unit 16-bit counter. To ensure that both the high and low bytes are read and written simultaneously when the CPU accesses these registers, the access is performed using an 8-bit temporary high byte register (TEMP). This temporary register is shared by all the other 16-bit registers. See [Section 13.2 “Accessing 16-bit Registers” on page 94](#). Modifying the counter (TCNTn) while the counter is running introduces a risk of missing a compare match between TCNTn and one of the OCRnx registers.

Writing to the TCNTn register blocks (removes) the compare match on the following timer clock for all compare units.

13.10.5 Output Compare Register 1 A – OCR1AH and OCR1AL

Bit	7	6	5	4	3	2	1	0	
	OCR1A[15:8]								OCR1AH
	OCR1A[7:0]								OCR1AL
Read/Write	R/W	R/W	R/W	R/W	R/W	R/W	R/W	R/W	
Initial Value	0	0	0	0	0	0	0	0	

13.10.6 Output Compare Register 1 B – OCR1BH and OCR1BL

Bit	7	6	5	4	3	2	1	0	
	OCR1B[15:8]								OCR1BH
	OCR1B[7:0]								OCR1BL
Read/Write	R/W	R/W	R/W	R/W	R/W	R/W	R/W	R/W	
Initial Value	0	0	0	0	0	0	0	0	

The output compare registers contain a 16-bit value that is continuously compared with the counter value (TCNTn). A match can be used to generate an output compare interrupt, or to generate a waveform output on the OCnx pin.

The output compare registers are 16-bit in size. To ensure that both the high and low bytes are written simultaneously when the CPU writes to these registers, the access is performed using an 8-bit temporary high byte register (TEMP). This temporary register is shared by all the other 16-bit registers. See [Section 13.2 “Accessing 16-bit Registers” on page 94](#).

13.10.7 Input Capture Register 1 – ICR1H and ICR1L

Bit	7	6	5	4	3	2	1	0	
	ICR1[15:8]								ICR1H
	ICR1[7:0]								ICR1L
Read/Write	R/W	R/W	R/W	R/W	R/W	R/W	R/W	R/W	
Initial Value	0	0	0	0	0	0	0	0	

The input capture is updated with the counter (TCNTn) value each time an event occurs on the ICPn pin (or optionally on the analog comparator output for Timer/Counter1). The input capture can be used for defining the counter TOP value.

The input capture register is 16-bit in size. To ensure that both the high and low bytes are read simultaneously when the CPU accesses these registers, the access is performed using an 8-bit temporary High Byte Register (TEMP). This temporary register is shared by all the other 16-bit registers. See [Section 13.2 “Accessing 16-bit Registers” on page 94](#).

13.10.8 Timer/Counter1 Interrupt Mask Register – TIMSK1

Bit	7	6	5	4	3	2	1	0	
	–	–	ICIE1	–	–	OCIE1B	OCIE1A	TOIE1	TIMSK1
Read/Write	R	R	R/W	R	R	R/W	R/W	R/W	
Initial Value	0	0	0	0	0	0	0	0	

- **Bit 7, 6 – Res: Reserved Bits**

These bits are unused bits in the ATmega16/32/64/M1/C1, and will always read as zero.

- **Bit 5 – ICIE1: Timer/Counter1, Input Capture Interrupt Enable**

When this bit is written to one, and the I-flag in the status register is set (interrupts globally enabled), the Timer/Counter1 input capture interrupt is enabled. The corresponding interrupt vector ([Table 8-2 on page 48](#)) is executed when the ICF1 flag, located in TIFR1, is set.

- **Bit 4, 3 – Res: Reserved Bits**

These bits are unused bits in the ATmega16/32/64/M1/C1, and will always read as zero.

- **Bit 2 – OCIE1B: Timer/Counter1, Output Compare B Match Interrupt Enable**

When this bit is written to one, and the I-flag in the status register is set (interrupts globally enabled), the Timer/Counter1 output compare B match interrupt is enabled. The corresponding interrupt vector ([Table 8-2 on page 48](#)) is executed when the OCF1B flag, located in TIFR1, is set.

- **Bit 1 – OCIE1A: Timer/Counter1, Output Compare A Match Interrupt Enable**

When this bit is written to one, and the I-flag in the status register is set (interrupts globally enabled), the Timer/Counter1 output compare A match interrupt is enabled. The corresponding interrupt vector ([Table 8-2 on page 48](#)) is executed when the OCF1A flag, located in TIFR1, is set.

- **Bit 0 – TOIE1: Timer/Counter1, Overflow Interrupt Enable**

When this bit is written to one, and the I-flag in the status register is set (interrupts globally enabled), the Timer/Counter1 overflow interrupt is enabled. The corresponding interrupt vector ([Table 8-2 on page 48](#)) is executed when the TOV1 flag, located in TIFR1, is set.

13.10.9 Timer/Counter1 Interrupt Flag Register – TIFR1

Bit	7	6	5	4	3	2	1	0	
	–	–	ICF1	–	–	OCF1B	OCF1A	TOV1	TIFR1
Read/Write	R	R	R/W	R	R	R/W	R/W	R/W	
Initial Value	0	0	0	0	0	0	0	0	

- **Bit 7, 6 – Res: Reserved Bits**

These bits are unused bits in the ATmega16/32/64/M1/C1, and will always read as zero.

- **Bit 5 – ICF1: Timer/Counter1, Input Capture Flag**

This flag is set when a capture event occurs on the ICP1 pin. When the input capture register (ICR1) is set by the WGMn3:0 to be used as the TOP value, the ICF1 Flag is set when the counter reaches the TOP value.

ICF1 is automatically cleared when the input capture interrupt vector is executed. Alternatively, ICF1 can be cleared by writing a logic one to its bit location.

- **Bit 4, 3 – Res: Reserved Bits**

These bits are unused bits in the ATmega16/32/64/M1/C1, and will always read as zero.

- **Bit 2 – OCF1B: Timer/Counter1, Output Compare B Match Flag**

This flag is set in the timer clock cycle after the counter (TCNT1) value matches the output compare register B (OCR1B).

Note that a forced output compare (FOC1B) strobe will not set the OCF1B flag.

OCF1B is automatically cleared when the output compare match B interrupt vector is executed. Alternatively, OCF1B can be cleared by writing a logic one to its bit location.

- **Bit 1 – OCF1A: Timer/Counter1, Output Compare A Match Flag**

This flag is set in the timer clock cycle after the counter (TCNT1) value matches the output compare register A (OCR1A).

Note that a forced output compare (FOC1A) strobe will not set the OCF1A flag.

OCF1A is automatically cleared when the output compare match A interrupt vector is executed. Alternatively, OCF1A can be cleared by writing a logic one to its bit location.

- **Bit 0 – TOV1: Timer/Counter1, Overflow Flag**

The setting of this flag is dependent of the WGMn3:0 bits setting. In normal and CTC modes, the TOV1 flag is set when the timer overflows. Refer to [Table 13-4 on page 111](#) for the TOV1 flag behavior when using another WGMn3:0 bit setting.

TOV1 is automatically cleared when the Timer/Counter1 overflow interrupt vector is executed. Alternatively, TOV1 can be cleared by writing a logic one to its bit location.

14. Power Stage Controller – (PSC) (only ATmega16/32/64M1)

The power stage controller is a high performance waveform controller.

14.1 Features

- PWM waveform generation function with 6 complementary programmable outputs (able to control 3 half-bridges)
- Programmable dead time control
- PWM up to 12 bit resolution
- PWM clock frequency up to 64MHz (via PLL)
- Programmable ADC trigger
- Automatic overlap protection
- Failsafe emergency inputs - 3 (to force all outputs to high impedance or in inactive state - fuse configurable)
- Center aligned and edge aligned modes synchronization

14.2 Overview

Many register and bit references in this section are written in general form.

- A lower case “n” replaces the PSC module number, in this case 0, 1 or 2. However, when using the register or bit defines in a program, the precise form must be used, i.e., POCSRnSAH for accessing module 0 POCSRnSAH register and so on.
- A lower case “x” replaces the PSC part, in this case A or B. However, when using the register or bit defines in a program, the precise form must be used, i.e., OCR0SAH for accessing part A OCR0SxH register and so on.

The purpose of the power stage controller (PSC) is to control an external power interface. It has six outputs to drive for example a 3 half-bridge. This feature allows you to generate three phase waveforms for applications such as Asynchronous or BLDC motor drives, lighting systems...

The PSC also has 3 inputs, the purpose of which is to provide fast emergency stop capability.

The PSC outputs are programmable as “active high” or “active low”. All the timing diagrams in the following examples are given in the “active high” polarity.

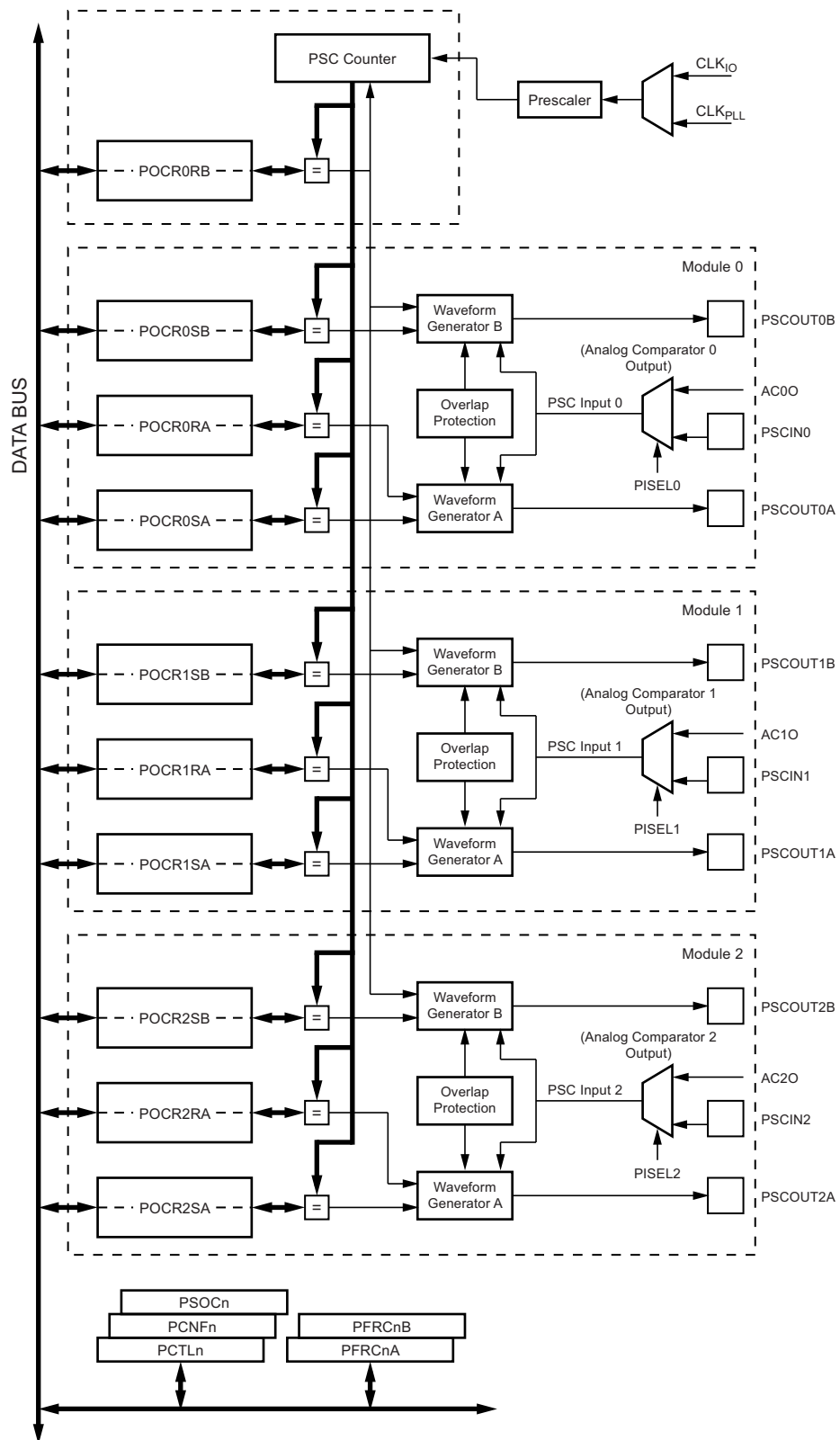
14.3 Accessing 16-bit Registers

Some PSC registers are 16-bit registers. These registers can be accessed by the AVR CPU via the 8-bit data bus. The 16-bit registers must be byte accessed using two read or write operations. The PSC has a single 8-bit register for temporary storing of the high byte of the 16-bit access. The same temporary register is shared between all PSC 16-bit registers. Accessing the low byte triggers the 16-bit read or write operation. When the low byte of a 16-bit register is written by the CPU, the high byte stored in the temporary register, and the low byte written are both copied into the 16-bit register in the same clock cycle. When the low byte of a 16-bit register is read by the CPU, the high byte of the 16-bit register is copied into the temporary register in the same clock cycle as the low byte is read.

To do a 16-bit write, the high byte must be written before the low byte. For a 16-bit read, the low byte must be read before the high byte.

14.4 PSC Description

Figure 14-1. Power Stage Controller Block Diagram



The PSC is based on the use of a free-running 12-bit counter (PSC counter). This counter is able to count up to a top value determined by the contents of POOCR_RB register and then according to the selected running mode, count down or reset to zero for another cycle.

As can be seen from the block diagram [Figure 14-1](#), the PSC is composed of 3 modules.

Each of the 3 PSC modules can be seen as two symmetrical entities. One entity named part A which generates the output PSCOUTnA and the second one named part B which generates the PSCOUTnB output.

Each module has its own PSC Input circuitry which manages the corresponding input.

14.5 Functional Description

14.5.1 Generation of Control Waveforms

In general, the drive of a 3 phase motor requires the generation of 6 PWM signals. The duty cycle of these signals must be independently controlled to adjust the speed or torque of the motor or to produce the wanted waveform on the 3 voltage lines (trapezoidal, sinusoidal...)

In case of cross conduction or overtemperature, having inputs which can immediately disable the waveform generator's outputs is desirable.

These considerations are common for many systems which require PWM signals to drive power systems such as lighting, DC/DC converters.

14.5.2 Waveform Cycles

Each of the 3 modules has 2 waveform generators which jointly compose the output signal.

The first part of the waveform is relative to part A or PSCOUTnA output. This waveform corresponds to sub-cycle A in the following figure.

The second part of the waveform is relative to part B or PSCOUTnB output. This waveform corresponds to sub-cycle B in the following figure.

The complete waveform is terminated at the end of the sub-cycle B, whereupon any changes to the settings of the waveform generator registers will be implemented, for the next cycle.

The PSC can be configured in one of two modes (1Ramp Mode or Centered Mode). This configuration will affect the operation of all the waveform generators.

Figure 14-2. Cycle Presentation in One Ramp Mode

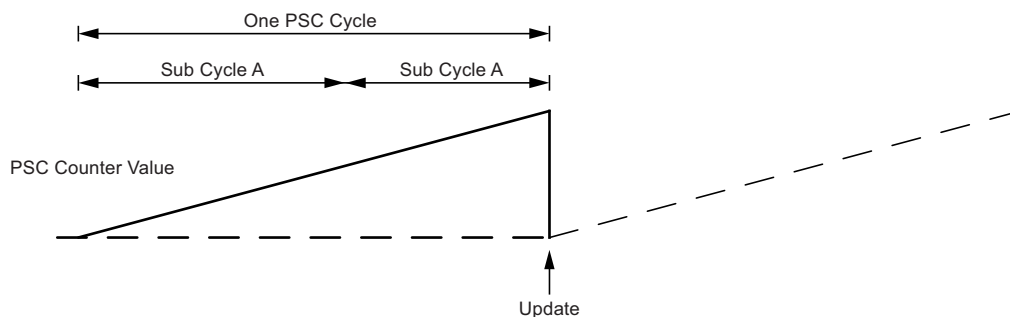


Figure 14-3. Cycle Presentation in Centered Mode

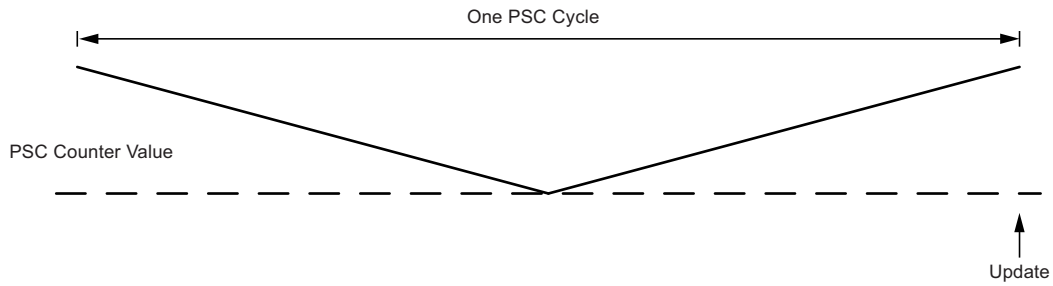


Figure 14-2 on page 118 and Figure 14-3 graphically illustrate the values held in the PSC counter. Centered Mode is like one ramp mode which counts down and then up.

Notice that the update of the waveform generator registers is done regardless of ramp mode at the end of the PSC cycle.

14.5.3 Operation Mode Descriptions

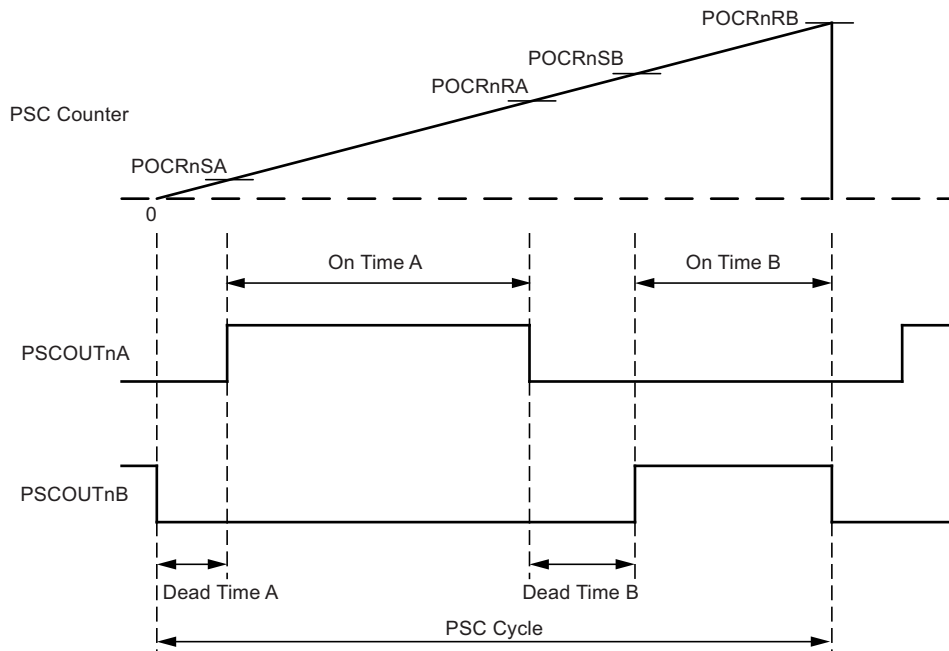
Waveforms and duration of output signals are determined by parameters held in the registers (POCRnSA, POCRnRA, POCRnSB, POCR_RB) and by the running mode. Two modes are possible:

- One ramp mode: In this mode, all the 3 PSCOUTnB outputs are edge-aligned and the 3 PSCOUTnA can be also edge-aligned when setting the same values in the dedicated registers. In this mode, the PWM frequency is twice the center aligned mode PWM frequency.
- Center aligned mode: In this mode, all the 6 PSC outputs are aligned at the center of the period. Except when using the same duty cycles on the 3 modules, the edges of the outputs are not aligned. So the PSC outputs do not commute at the same time, thus the system which is driven by these outputs will generate less commutation noise. In this mode, the PWM frequency is twice slower than in one ramp mode.

14.5.3.1 One Ramp Mode (Edge-Aligned)

The following figure shows the resultant outputs PSCOUTnA and PSCOUTnB operating in one ramp mode over a PSC cycle.

Figure 14-4. PSCOUTnA and PSCOUTnB Basic Waveforms in One Ramp Mode



On-time A = $(POCRnRAH/L - POCRnSAH/L) \times 1/Fclkpsc$

On-time B = $(POCRnRBH/L - POCRnSBH/L) \times 1/Fclkpsc$

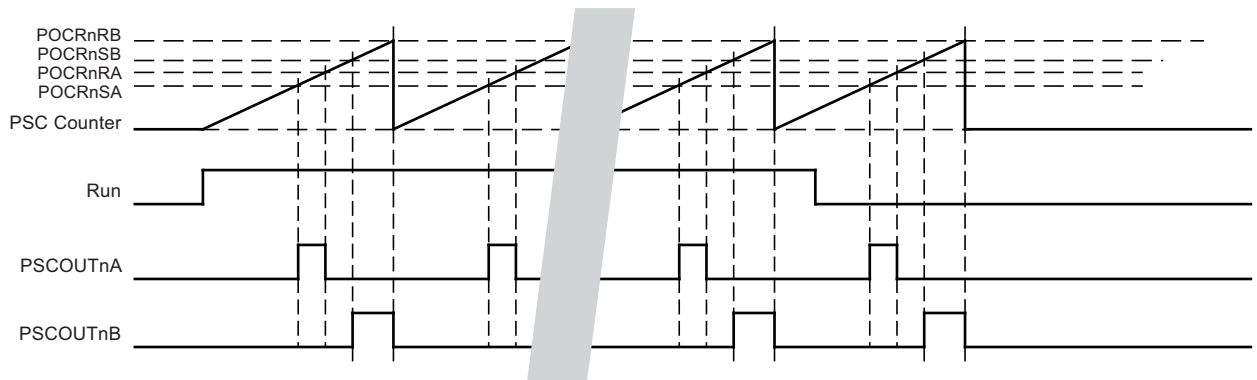
Dead-time A = $(POCRnSAH/L + 1) \times 1/Fclkpsc$

Dead-time B = $(POCRnSBH/L - POCRnRAH/L) \times 1/Fclkpsc$

Minimal value for dead-time A = $1/Fclkpsc$

If the overlap protection is disabled, in one-ramp mode, PSCOUTnA and PSCOUTnB outputs can be configured to overlap each other, though in normal use this is not desirable.

Figure 14-5. Controlled Start and Stop Mechanism in One-Ramp Mode

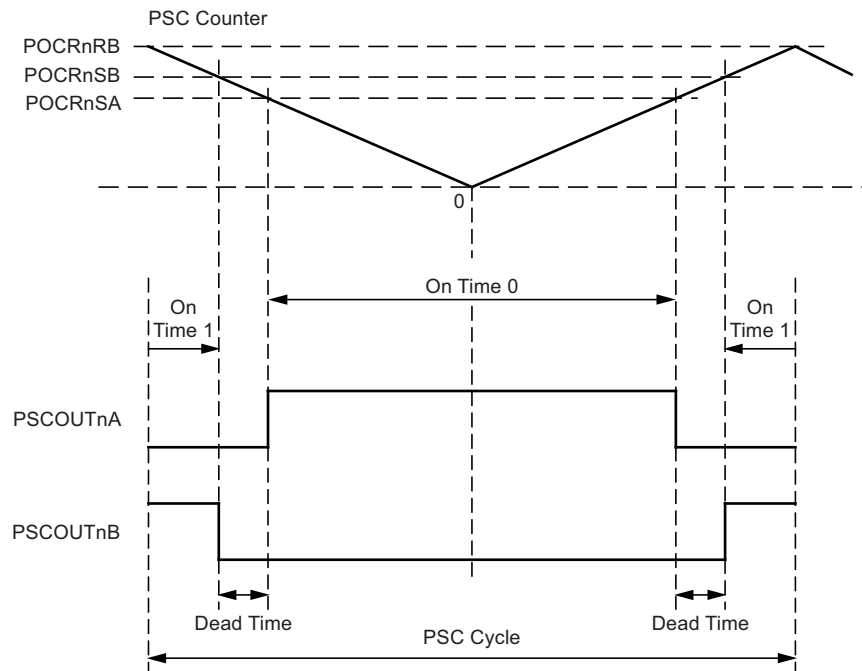


Note: See [Section 14.16.8 "PSC Control Register – PCTL"](#) on page 130 (PCCYC = 1)

14.5.3.2 Center Aligned Mode

In center aligned mode, the center of PSCOUTnA and PSCOUTnB signals are centered.

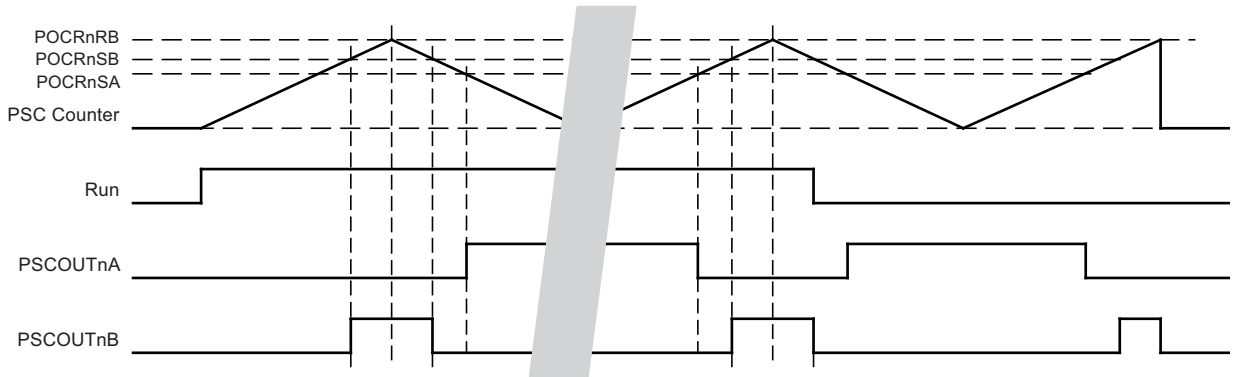
Figure 14-6. PSCOUTnA and PSCOUTnB Basic Waveforms in Center Aligned Mode



On-time 0 = $2 \times \text{POCRnSAH/L} \times 1/\text{Fclkpsc}$
 On-time 1 = $2 \times (\text{POCRnRBH/L} - \text{POCRnSBH/L} + 1) \times 1/\text{Fclkpsc}$
 Dead-time = $(\text{POCRnSBH/L} - \text{POCRnSAH/L}) \times 1/\text{Fclkpsc}$
 PSC cycle = $2 \times (\text{POCRnRBH/L} + 1) \times 1/\text{Fclkpsc}$
 Minimal value for PSC cycle = $2 \times 1/\text{Fclkpsc}$

Note that in center aligned mode, POCRnRAH/L is not required (as it is in one-ramp mode) to control PSC Output waveform timing. This allows POCRnRAH/L to be freely used to adjust ADC synchronization (See [Section 14.12 “Analog Synchronization” on page 126](#)).

Figure 14-7. Controlled Start and Stop Mechanism in Centered Mode

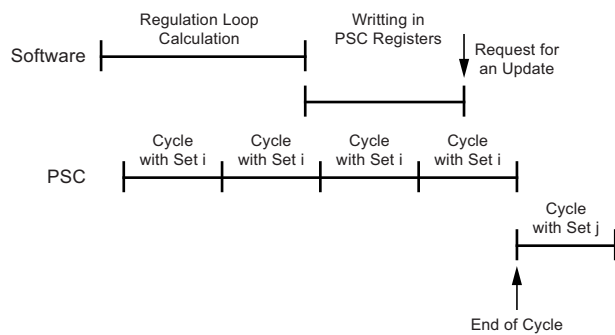


Note: See [Section 14.16.8 “PSC Control Register – PCTL” on page 130](#) ($\text{PCCYC} = 1$)

14.6 Update of Values

To avoid un asynchronous and incoherent values in a cycle, if an update of one of several values is necessary, all values are updated at the same time at the end of the cycle by the PSC. The new set of values is calculated by software and the update is initiated by software.

Figure 14-8. Update at the End of Complete PSC Cycle



The software can stop the cycle before the end to update the values and restart a new PSC cycle.

14.6.1 Value Update Synchronization

New timing values or PSC output configuration can be written during the PSC cycle. Thanks to LOCK configuration bit, the new whole set of values can be taken into account after the end of the PSC cycle.

When LOCK configuration bit is set, there is no update. The update of the PSC internal registers will be done at the end of the PSC cycle if the LOCK bit is released to zero.

The registers which update is synchronized thanks to LOCK are POC, POM2, POCRnSAH/L, POCRnRAH/L, POCRnSBH/L and POCRnRBH/L.

See these register's description starting on in [Section 14.16.7 "PSC Configuration Register – PCNF"](#) on page 130

14.7 Overlap Protection

Thanks to overlap protection two outputs on a same module cannot be active at the same time. So it cannot generate cross conduction. This feature can be deactivated thanks to POVEN (PSC overlap enable).

For ATmega16/64M1, and ATmega32M1 since rev C, the overlap protection is activated with only one condition:

1. POVENn=0 (PSC module n overlap enable)

Up to rev B of ATmega32M1, the overlap protection was activated with the 2 following conditions:

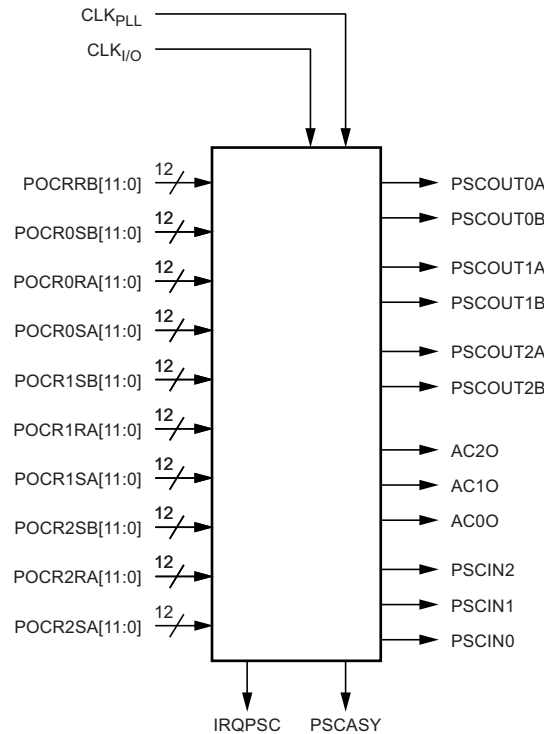
2. POVENn=0 (PSC module n overlap enable)
3. The two channels A and B of a pwm pair n must be activated (POENnA = POENnB = 1)

This difference can induce some behavior change between rev B and rev C of ATmega32M1, when only one channel of a PWM pair output is active.

To avoid such behavior, it is recommended in case of using only one channel of a pwm pair, to disable overlap protection bit (POVENn = 1).

14.8 Signal Description

Figure 14-9. PSC External Block View



14.8.1 Input Description

Table 14-1. Internal Inputs

Name	Description	Type Width
POCR_RB[11:0]	Compare value which reset signal on part B (PSCOUTnB)	Register, 12 bits
POCRnSB[11:0]	Compare value which set Signal on part B (PSCOUTnB)	Register, 12 bits
POCRnRA[11:0]	Compare value which reset signal on part A (PSCOUTnA)	Register, 12 bits
POCRnSA[11:0]	Compare value which set signal on part A (PSCOUTnA)	Register, 12 bits
CLK I/O	Clock input from I/O clock	Signal
CLK PLL	Clock input from PLL	Signal
AC0O	Analog comparator 0 output	Signal
AC1O	Analog comparator 1 output	Signal
AC2O	Analog comparator 2 output	Signal

Table 14-2. Block Inputs

Name	Description	Type Width
PSCIN0	Input 0 used for fault function	Signal
PSCIN1	Input 1 used for fault function	Signal
PSCIN2	Input 2 used for fault function	Signal

14.8.2 Output Description

Table 14-3. Block Outputs

Name	Description	Type Width
PSCOUT0A	PSC module 0 output A	Signal
PSCOUT0B	PSC module 0 output B	Signal
PSCOUT1A	PSC module 1 output A	Signal
PSCOUT1B	PSC module 1 output B	Signal
PSCOUT2A	PSC module 2 output A	Signal
PSCOUT2B	PSC module 2 output B	Signal

Table 14-4. Internal Outputs

Name	Description	Type Width
IRQPSCn	PSC interrupt request: two sources, overflow, fault	Signal
PSCASY	ADC synchronization (+ amplifier syncho.) ⁽¹⁾	Signal

Note: 1. See [Section 14.12 “Analog Synchronization”](#) on page 126.

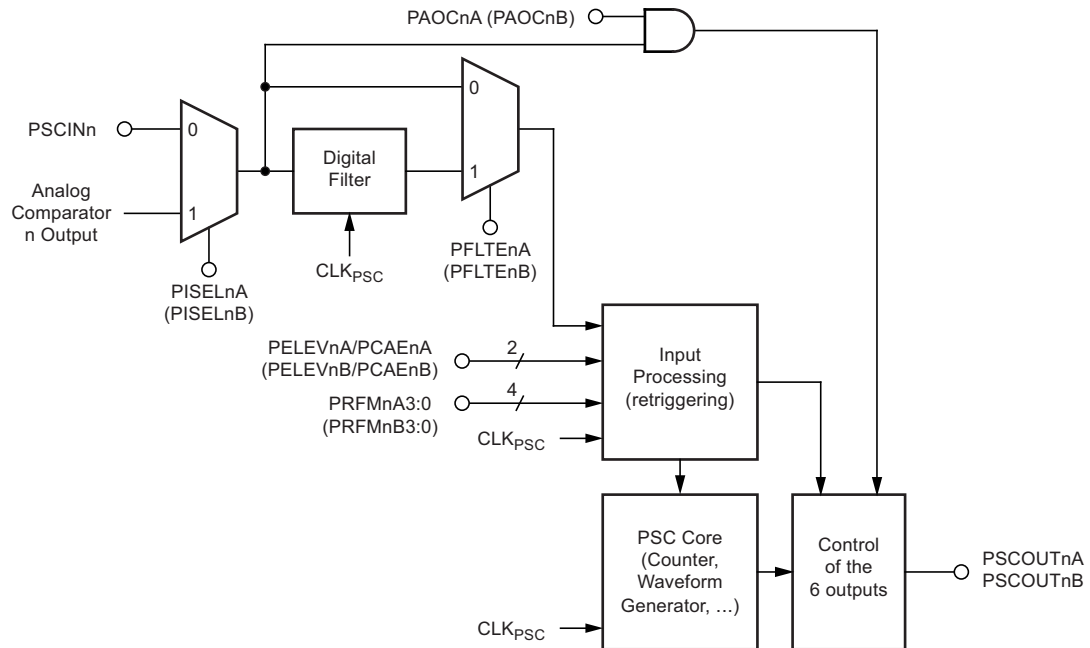
14.9 PSC Input

For detailed information on the PSC, please refer to the Application Note “AVR138: PSC Cookbook”, available on the Atmel® web site.

Each module 0, 1 and 2 of PSC has its own system to take into account one PSC input. According to PSC module n input control register (See [Section 14.16.9 “PSC Module n Input Control Register – PMICn”](#) on page 131), PSCINn input can act has a Retrigger or fault input.

Each block A or B is also configured by this PSC module n input control register (PMICn).

Figure 14-10. PSC Input Module



14.9.1 PSC Input Configuration

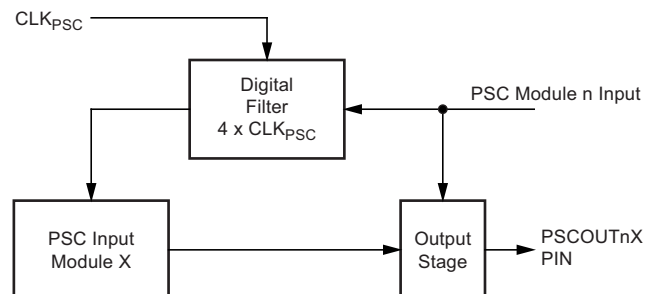
The PSC input configuration is done by programming bits in configuration registers.

14.9.1.1 Filter Enable

If the “Filter Enable” bit is set, a digital filter of 4 cycles is inserted before evaluation of the signal. The disable of this function is mainly needed for prescaled PSC clock sources, where the noise cancellation gives too high latency.

Important: If the digital filter is active, the level sensitivity is true also with a disturbed PSC clock to deactivate the outputs (emergency protection of external component). Likewise when used as fault input, PSC Module n Input A or Input B have to go through PSC to act on PSCOUTn0/1/2 outputs. This way needs that CLK_{PSC} is running. So thanks to PSC asynchronous output control bit (PAOCnA/B), PSCINn input can deactivate directly the PSC outputs. Notice that in this case, input is still taken into account as usually by input module system as soon as CLK_{PSC} is running.

Figure 14-11. PSC Input Filtering



14.9.1.2 Signal Polarity

One can select the active edge (edge modes) or the active level (level modes). See PELEVnx bit description in [Section 14.16.9 “PSC Module n Input Control Register – PMICn” on page 131](#).

If PELEVnx bit set, the significant edge of PSCn Input A or B is rising (edge modes) or the active level is high (level modes) and vice versa for unset/falling/low

- In 2- or 4-ramp mode, PSCn Input A is taken into account only during Dead-Time0 and On-Time0 period (respectively Dead-Time1 and On-Time1 for PSCn input B).
- In 1-ramp-mode PSC Input A or PSC Input B act on the whole ramp.

14.9.1.3 Input Mode Operation

Thanks to 4 configuration bits (PRFM3:0), it's possible to define the mode of the PSC inputs.

Table 14-5. PSC Input Mode Operation

PRFMn2:0	Description
000b	No action, PSC input is ignored
001b	Disactivate module n outputs A
010b	Disactivate module n output B
011b	Disactivate module n output A and B
10x	Disactivate all PSC output
11xb	Halt PSC and wait for software action

Note: All following examples are given with rising edge or high level active inputs.

14.10 PSC Input Modes 001b to 10xb: Deactivate Outputs without Changing Timing

Figure 14-12. PSC Behavior versus PSCn Input in Mode 001b to 10xb

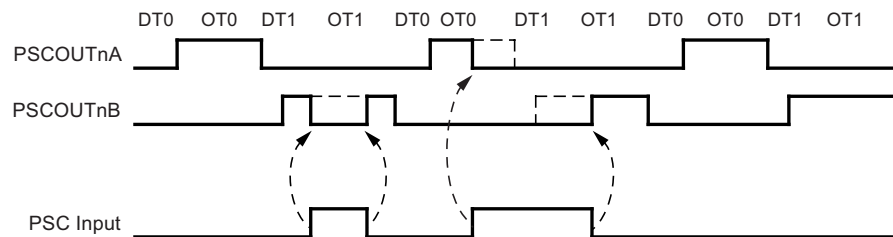
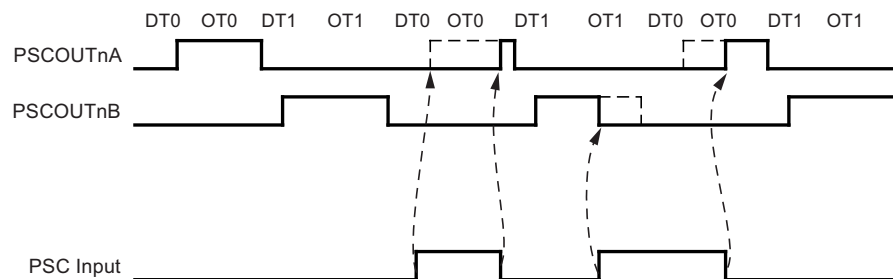


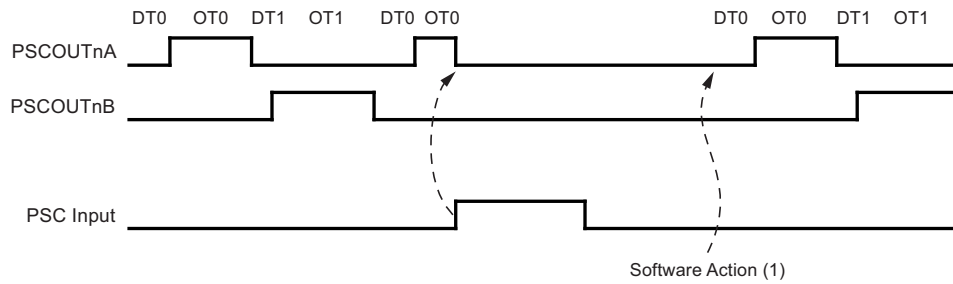
Figure 14-13. PSC Behavior versus PSCn Input A or Input B in Fault Mode 4



PSCn Input acts indifferently on On-Time0/Dead-Time0 or on On-Time1/Dead-Time1.

14.11 PSC Input Mode 11xb: Halt PSC and Wait for Software Action

Figure 14-14. PSC Behavior versus PSCn Input A in Fault Mode 11xb



Note: Software action is the setting of the PRUNn bit in PCTLn register.

Used in fault mode 7, PSCn input A or PSCn input B act indifferently on On-Time0/Dead-Time0 or on On-Time1/Dead-Time1.

14.12 Analog Synchronization

Each PSC module generates a signal to synchronize the ADC sample and hold; synchronisation is mandatory for measurements.

This signal can be selected between all falling or rising edge of PSCOUTnA or PSCOUTnB outputs.

In center aligned mode, OCRnRAH/L is not used, so it can be used to specified the synchronization of the ADC. In this case, it's minimum value is 1.

14.13 Interrupt Handling

As each PSC module can be dedicated for one function, each PSC has its own interrupt system (vector ..)

List of interrupt sources:

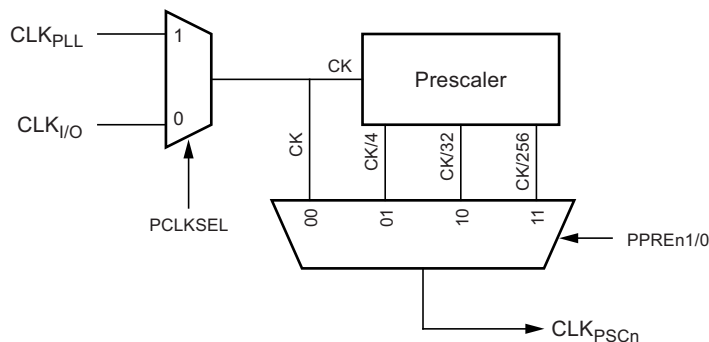
- Counter reload (end of on time 1)
- PSC input event (active edge or at the beginning of level configured event)
- PSC mutual synchronization error

14.14 PSC Clock Sources

Each PSC has two clock inputs:

- CLK PLL from the PLL
- CLK I/O

Figure 14-15. Clock Selection



PCLKSELn bit in PSC control register (PCTL) is used to select the clock source.

PPREn1/0 bits in PSC control register (PCTL) are used to select the divide factor of the clock.

Table 14-6. Output Clock versus Selection and Prescaler

PCLKSELn	PPREn1	PPREn0	CLKPSCn output
0	0	0	CLK I/O
0	0	1	CLK I/O / 4
0	1	0	CLK I/O / 32
0	1	1	CLK I/O / 256
1	0	0	CLK PLL
1	0	1	CLK PLL / 4
1	1	0	CLK PLL / 32
1	1	1	CLK PLL / 256

14.15 Interrupts

This section describes the specifics of the interrupt handling as performed in ATmega16/32/64/M1/C1.

14.15.1 Interrupt Vector

PSC provides 2 interrupt vectors:

- **PSC_End (end of cycle):** When enabled and when a match with POOCR_RB occurs
- **PSC_Fault (fault event):** When enabled and when a PSC input detects a fault event.

14.15.2 PSC Interrupt Vectors in ATmega16/32/64/M1/C1

Table 14-7. PSC Interrupt Vectors

Vector No.	Program Address	Source	Interrupt Definition
-	-	-	-
5	0x0004	PSC_Fault	PSC fault event
6	0x0005	PSC_End	PSC end of cycle
-	-	-	-
-	-	-	-

14.16 PSC Register Definition

Registers are explained for PSC module 0. They are identical for module 1 and module 2.

14.16.1 PSC Output Configuration – POC

Bit	7	6	5	4	3	2	1	0	
	-	-	POEN2B	POEN2A	POEN1B	POEN1A	POEN0B	POEN0A	POC
Read/Write	R/W	R/W	R/W	R/W	R/W	R/W	R/W	R/W	
Initial Value	0	0	0	0	0	0	0	0	

- **Bit 7 – not use**

not use

- **Bit 6 – not use**

not use

- **Bit 5 – POEN2B: PSC Output 2B Enable**

When this bit is clear, I/O pin affected to PSCOUT2B acts as a standard port. When this bit is set, I/O pin affected to PSCOUT2B is connected to the PSC module 2 waveform generator B output and is set and clear according to the PSC operation.

- **Bit 4 – POEN2A: PSC Output 2A Enable**

When this bit is clear, I/O pin affected to PSCOUT2A acts as a standard port.

When this bit is set, I/O pin affected to PSCOUT2A is connected to the PSC module 2 waveform generator A output and is set and clear according to the PSC operation.

- **Bit 3 – POEN1B: PSC Output 1B Enable**

When this bit is clear, I/O pin affected to PSCOUT1B acts as a standard port.

When this bit is set, I/O pin affected to PSCOUT1B is connected to the PSC module 1 waveform generator B output and is set and clear according to the PSC operation.

- **Bit 2 – POEN1A: PSC Output 1A Enable**

When this bit is clear, I/O pin affected to PSCOUT1A acts as a standard port.

When this bit is set, I/O pin affected to PSCOUT1A is connected to the PSC module 1 waveform generator A output and is set and clear according to the PSC operation.

- **Bit 1 – POEN0B: PSC Output 0B Enable**

When this bit is clear, I/O pin affected to PSCOUT0B acts as a standard port.

When this bit is set, I/O pin affected to PSCOUT0B is connected to the PSC module 0 waveform generator B output and is set and clear according to the PSC operation.

- **Bit 0 – POEN0A: PSC Output 0A Enable**

When this bit is clear, I/O pin affected to PSCOUT0A acts as a standard port.

When this bit is set, I/O pin affected to PSCOUT0A is connected to the PSC module 0 waveform generator A output and is set and clear according to the PSC operation.

14.16.2 PSC Synchro Configuration – PSYNC

Bit	7	6	5	4	3	2	1	0	
	-	-	PSYNC21	PSYNC20	PSYNC11	PSYNC10	PSYNC01	PSYNC00	PSYNC
Read/Write	R/W	R/W	R/W	R/W	R/W	R/W	R/W	R/W	
Initial Value	0	0	0	0	0	0	0	0	

- **Bit 7 – not use**

not use

- **Bit 6 – not use**

not use

- **Bit 5:4 – PSYNC21:0: Synchronization Out for ADC Selection**

Select the polarity and signal source for generating a signal which will be sent from module 2 to the ADC for synchronization

- **Bit 3:2 – PSYNC11:0: Synchronization Out for ADC Selection**

Select the polarity and signal source for generating a signal which will be sent from module 1 to the ADC for synchronization

- **Bit 1:0 – PSYNC01:0: Synchronization Out for ADC Selection**

Select the polarity and signal source for generating a signal which will be sent from module 0 to the ADC for synchronization.

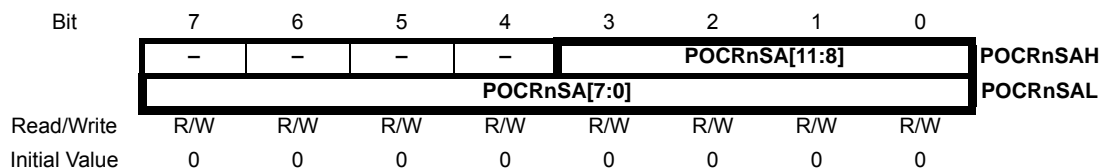
Table 14-8. Synchronization Source Description in One Ramp Mode

PSYNCn1	PSYNCn0	Description
0	0	Send signal on leading edge of PSCOUTnA(match with OCRnSA)
0	1	Send signal on trailing edge of PSCOUTnA(match with OCRnRA or fault/retrigger on part A)
1	0	Send signal on leading edge of PSCOUTnB (match with OCRnSB)
1	1	Send signal on trailing edge of PSCOUTnB (match with OCRnRB or fault/retrigger on part B)

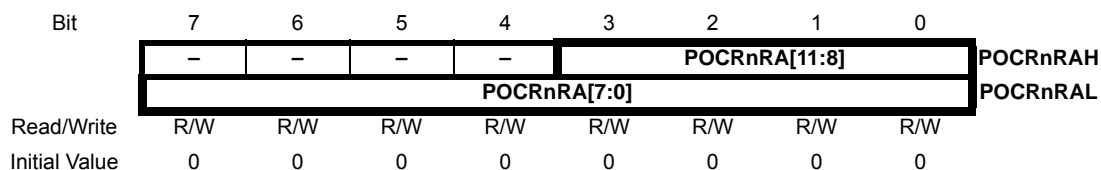
Table 14-9. Synchronization Source Description in Centered Mode

PSYNCn1	PSYNCn0	Description
0	0	Send signal on match with OCRnRA (during counting down of PSC). The min value of OCRnRA must be 1.
0	1	Send signal on match with OCRnRA (during counting up of PSC). The min value of OCRnRA must be 1.
1	0	no synchronization signal
1	1	no synchronization signal

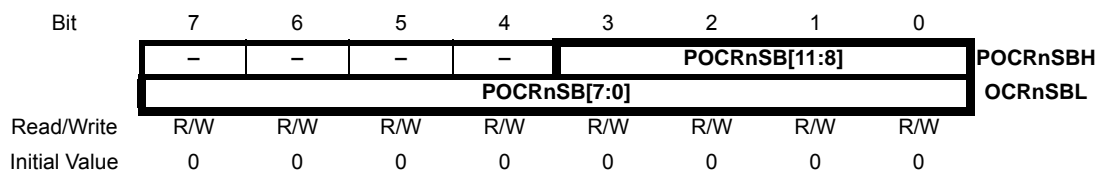
14.16.3 PSC Output Compare SA Register – POCRnSAH and POCRnSAL



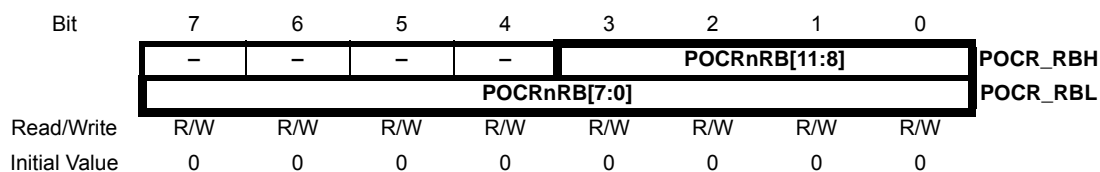
14.16.4 PSC Output Compare RA Register – POCRnRAH and POCRnRAL



14.16.5 PSC Output Compare SB Register – POCRnSBH and POCRnSBL



14.16.6 PSC Output Compare RB Register – POCR_RBH and POCR_RBL



Note: n = 0 to 2 according to module number.

The output compare registers RA, RB, SA and SB contain a 12-bit value that is continuously compared with the PSC counter value. A match can be used to generate an output compare interrupt, or to generate a waveform output on the associated pin.

The output compare registers are 16bit and 12-bit in size. To ensure that both the high and low bytes are written simultaneously when the CPU writes to these registers, the access is performed using an 8-bit temporary high byte register (TEMP). This temporary register is shared by all the other 16-bit registers.

14.16.7 PSC Configuration Register – PCNF

Bit	7	6	5	4	3	2	1	0	
	-	-	PULOCK	PMODE	POPB	POPA	-	-	PCNF
Read/Write	R	R	R/W	R/W	R/W	R/W	R	R	
Initial Value	0	0	0	0	0	0	0	0	

- **Bit 7:6 - not use**

not use

- **Bit 5 – PULOCK: PSC Update Lock**

When this bit is set, the output compare registers POCRnRA, POCRnSA, POCRnSB, POCR_RB and the PSC output configuration registers POC can be written without disturbing the PSC cycles. The update of the PSC internal registers will be done if the PULOCK bit is released to zero.

- **Bit 4 – PMODE PSC Mode**

Select the mode of PSC.

Table 14-10. PSC Mode Selection

PMODE	Description
0	One ramp mode (edge aligned)
1	Center aligned mode

- **Bit 3 – POPB: PSC B Output Polarity**

If this bit is cleared, the PSC outputs B are active low.

If this bit is set, the PSC outputs B are active high.

- **Bit 2 – POPA: PSC A Output Polarity**

If this bit is cleared, the PSC outputs A are active low.

If this bit is set, the PSC outputs A are active high.

- **Bit 1:0 – not use**

not use

14.16.8 PSC Control Register – PCTL

Bit	7	6	5	4	3	2	1	0	
	PPRE1	PPRE0	PCLKSEL	SWAP2	SWAP1	SWAP0	PCCYC	PRUN	PCTL
Read/Write	R/W	R/W	R/W	R/W	R/W	R/W	R/W	R/W	
Initial Value	0	0	0	0	0	0	0	0	

- **Bit 7:6 – PPRE1:0 : PSC Prescaler Select**

This two bits select the PSC input clock division factor. All generated waveform will be modified by this factor.

Table 14-11. PSC Prescaler Selection

PPRE1	PPRE0	Description
0	0	No divider on PSC input clock
0	1	Divide the PSC input clock by 4
1	0	Divide the PSC input clock by 32
1	1	Divide the PSC clock by 256

- **Bit 5 – PCLKSEL: PSC Input Clock Select**

This bit is used to select between CLK_{PLL} or CLK_{IO} clocks.

Set this bit to select the fast clock input (CLK_{PLL}). Clear this bit to select the slow clock input (CLK_{IO}).

- **Bit 4:3:2 – SWAPn: SWAP Function Select (not implemented in ATmega32M1 up to revision C)**

When this bit is set; the channels PSCOUTnA and PSCOUTnB are exchanged. This allows to invert the waveforms of both channels at one time.

- **Bit 1 – PCCYC: PSC Complete Cycle**

When this bit is set, the PSC completes the entire waveform cycle before halt operation requested by clearing PRUN.

- **Bit 0 – PRUN: PSC Run**

Writing this bit to one starts the PSC.

14.16.9 PSC Module n Input Control Register – PMICn

Bit	7	6	5	4	3	2	1	0	
	POVENn	PISELn	PELEVn	PFLTEn	PAOCn	PRFMn2	PRFMn1	PRFMn0	PMICn
Read/Write	R/W	R/W	R/W	R/W	R/W	R/W	R/W	R/W	
Initial Value	0	0	0	0	0	0	0	0	

The input control registers are used to configure the 2 PSC's Retrigger/Fault block A and B. The 2 blocks are identical, so they are configured on the same way.

- **Bit 7 – POVENn: PSC Module n Overlap Enable**

Set this bit to deactivate the overlap protection. See [Section 14.7 “Overlap Protection” on page 122](#).

- **Bit 6 – PISELn: PSC Module n Input Select**

Clear this bit to select PSCINn as module n input.

Set this bit to select comparator n output as module n input.

- **Bit 5 –PELEVn: PSC Module n Input Level Selector**

When this bit is clear, the low level of selected input generates the significative event for fault function.

When this bit is set, the high level of selected input generates the significative event for fault function.

- **Bit 4 – PFLTEn: PSC Module n Input Filter Enable**

Setting this bit (to one) activates the input noise canceler. When the noise canceler is activated, the input from the input pin is filtered. The filter function requires four successive equal valued samples of the input pin for changing its output. The input is therefore delayed by four oscillator cycles when the noise canceler is enabled.

- **Bit 3 – PAOCn: PSC Module n 0 Asynchronous Output Control**

When this bit is clear, fault input can act directly to PSC module n outputs A and B. See [Section 14.9.1 “PSC Input Configuration” on page 124](#).

- **Bit 2:0 – PRFMn2:0: PSC Module n Input Mode**

These three bits define the mode of operation of the PSC inputs.

Table 14-12. Input Mode Operation

PRFMn2:0	Description
000b	No action, PSC input is ignored
001b	Disactivate module n outputs A
010b	Disactivate module n output B
011b	Disactivate module n output A and B
10x	Disactivate all PSC output
11xb	Halt PSC and wait for software action

14.16.10 PSC Interrupt Mask Register – PIM

Bit	7	6	5	4	3	2	1	0	
	-	-	-	-	PEVE2	PEVE1	PEVE0	PEOPE	PIM
Read/Write	R	R	R	R	R/W	R/W	R/W	R/W	
Initial Value	0	0	0	0	0	0	0	0	

- **Bit 7:4 – not use**

not use.

- **Bit 3 – PEVE2: PSC External Event 2 Interrupt Enable**

When this bit is set, an external event which can generates a a fault on module 2 generates also an interrupt.

- **Bit 2 – PEVE1: PSC External Event 1 Interrupt Enable**

When this bit is set, an external event which can generates a fault on module 1 generates also an interrupt.

- **Bit 1 – PEVE0: PSC External Event 0 Interrupt Enable**

When this bit is set, an external event which can generates a fault on module 0 generates also an interrupt.

- **Bit 0 – PEOPE: PSC End Of Cycle Interrupt Enable**

When this bit is set, an interrupt is generated when PSC reaches the end of the whole cycle.

14.16.11 PSC Interrupt Flag Register – PIFR

Bit	7	6	5	4	3	2	1	0	
	-	-	-	-	PEV2	PEV1	PEV0	PEOP	PIFR
Read/Write	R	R	R	R	R/W	R/W	R/W	R/W	
Initial Value	0	0	0	0	0	0	0	0	

- **Bit 7:4 – not use**

not use.

- **Bit 3 – PEV2: PSC External Event 2 Interrupt**

This bit is set by hardware when an external event which can generates a fault on module 2 occurs.

Must be cleared by software by writing a one to its location.

This bit can be read even if the corresponding interrupt is not enabled (PEVE2 bit = 0).

- **Bit 2 – PEV1: PSC External Event 1 Interrupt**

This bit is set by hardware when an external event which can generates a fault on module 1 occurs.

Must be cleared by software by writing a one to its location.

This bit can be read even if the corresponding interrupt is not enabled (PEVE1 bit = 0).

- **Bit 1 – PEV0: PSC External Event 0 Interrupt**

This bit is set by hardware when an external event which can generates a fault on module 0 occurs.

Must be cleared by software by writing a one to its location.

This bit can be read even if the corresponding interrupt is not enabled (PEVE0 bit = 0).

- **Bit 0 – PEOP: PSC End Of Cycle Interrupt**

This bit is set by hardware when an “end of PSC cycle” occurs.

Must be cleared by software by writing a one to its location.

This bit can be read even if the corresponding interrupt is not enabled (PEOPE bit = 0).

15. Serial Peripheral Interface – SPI

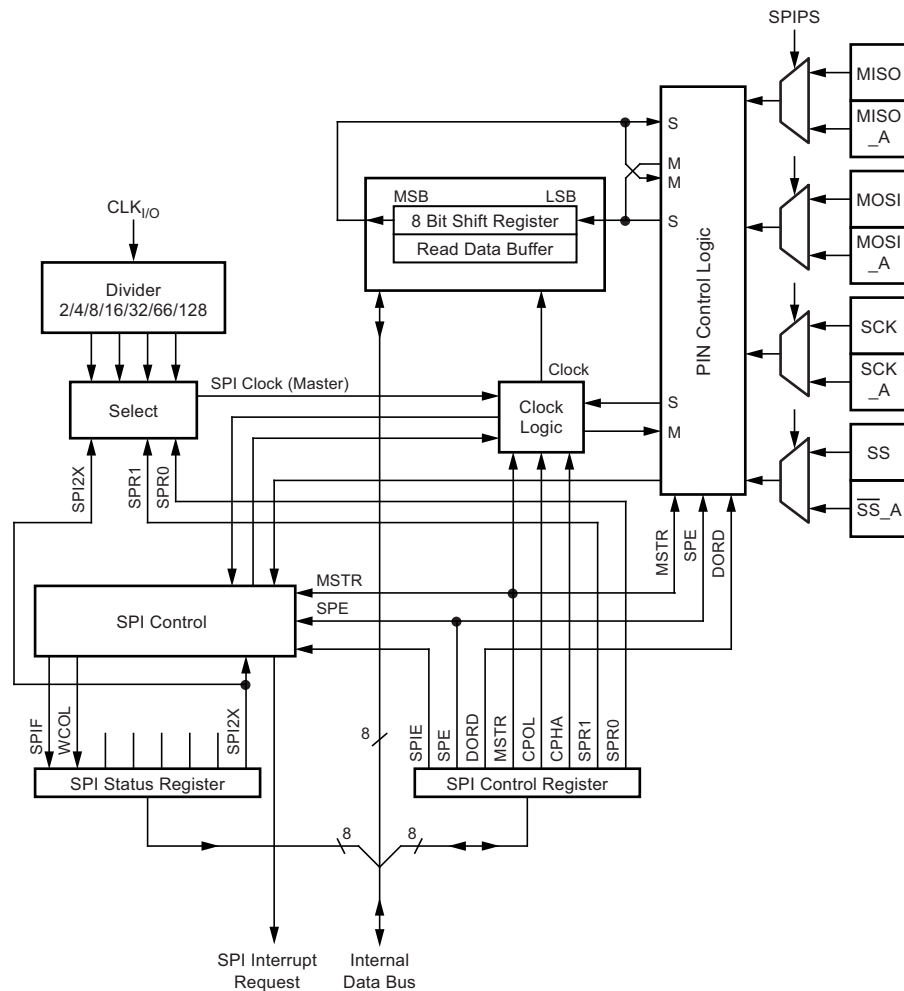
The serial peripheral interface (SPI) allows high-speed synchronous data transfer between the ATmega16/32/64/M1/C1 and peripheral devices or between several AVR devices.

The ATmega16/32/64/M1/C1 SPI includes the following features:

15.1 Features

- Full-duplex, three-wire synchronous data transfer
- Master or slave operation
- LSB first or MSB first data transfer
- Seven programmable bit rates
- End of transmission interrupt flag
- Write collision flag protection
- Wake-up from idle mode
- Double speed (CK/2) master SPI mode

Figure 15-1. SPI Block Diagram⁽¹⁾



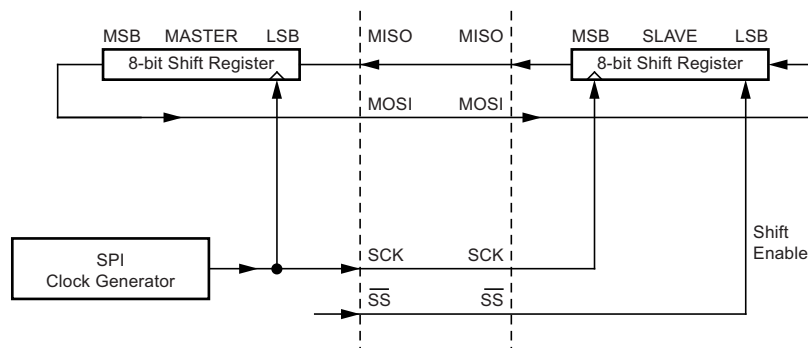
Note: 1. Refer to [Figure 1-1 on page 3](#), and [Table 9-3 on page 58](#) for SPI pin placement.

The interconnection between master and slave CPUs with SPI is shown in [Figure 15-2](#). The system consists of two shift registers, and a master clock generator. The SPI master initiates the communication cycle when pulling low the slave select \overline{SS} pin of the desired slave. Master and slave prepare the data to be sent in their respective shift registers, and the master generates the required clock pulses on the SCK line to interchange data. Data is always shifted from master to slave on the master out – slave in, MOSI, line, and from slave to master on the master in – slave out, MISO, line. After each data packet, the master will synchronize the slave by pulling high the slave select, \overline{SS} , line.

When configured as a master, the SPI interface has no automatic control of the \overline{SS} line. This must be handled by user software before communication can start. When this is done, writing a byte to the SPI data register starts the SPI clock generator, and the hardware shifts the eight bits into the slave. After shifting one byte, the SPI clock generator stops, setting the end of transmission flag (SPIF). If the SPI interrupt enable bit (SPIE) in the SPCR register is set, an interrupt is requested. The master may continue to shift the next byte by writing it into SPDR, or signal the end of packet by pulling high the slave select, \overline{SS} line. The last incoming byte will be kept in the buffer register for later use.

When configured as a slave, the SPI interface will remain sleeping with MISO tri-stated as long as the \overline{SS} pin is driven high. In this state, software may update the contents of the SPI data register, SPDR, but the data will not be shifted out by incoming clock pulses on the SCK pin until the \overline{SS} pin is driven low. As one byte has been completely shifted, the end of transmission flag, SPIF is set. If the SPI interrupt enable bit, SPIE, in the SPCR register is set, an interrupt is requested. The slave may continue to place new data to be sent into SPDR before reading the incoming data. The last incoming byte will be kept in the buffer register for later use.

Figure 15-2. SPI Master-slave Interconnection



The system is single buffered in the transmit direction and double buffered in the receive direction. This means that bytes to be transmitted cannot be written to the SPI data register before the entire shift cycle is completed. When receiving data, however, a received character must be read from the SPI data register before the next character has been completely shifted in. Otherwise, the first byte is lost.

In SPI slave mode, the control logic will sample the incoming signal of the SCK pin. To ensure correct sampling of the clock signal, the frequency of the SPI clock should never exceed $f_{clkio}/4$.

When the SPI is enabled, the data direction of the MOSI, MISO, SCK, and \overline{SS} pins is overridden according to [Table 15-1](#). For more details on automatic port overrides, refer to [Section 9.3 “Alternate Port Functions”](#) on page 55.

Table 15-1. SPI Pin Overrides⁽¹⁾

Pin	Direction, Master SPI	Direction, Slave SPI
MOSI	User defined	Input
MISO	Input	User defined
SCK	User defined	Input
\overline{SS}	User defined	Input

Note: 1. See [Section 9.3.2 “Alternate Functions of Port B”](#) on page 58 for a detailed description of how to define the direction of the user defined SPI pins.

The following code examples show how to initialize the SPI as a master and how to perform a simple transmission. DDR_SPI in the examples must be replaced by the actual data direction register controlling the SPI pins. DD_MOSI, DD_MISO and DD_SCK must be replaced by the actual data direction bits for these pins. E.g. if MOSI is placed on pin PB2, replace DD_MOSI with DDB2 and DDR_SPI with DDRB.

Assembly Code Example ⁽¹⁾
<pre> SPI_MasterInit: ; Set MOSI and SCK output, all others input ldi r17,(1<<DD_MOSI) (1<<DD_SCK) out DDR_SPI,r17 ; Enable SPI, Master, set clock rate fck/16 ldi r17,(1<<SPE) (1<<MSTR) (1<<SPR0) out SPCR,r17 ret SPI_MasterTransmit: ; Start transmission of data (r16) out SPDR,r16 Wait_Transmit: ; Wait for transmission complete sbis SPSR,SPIF rjmp Wait_Transmit ret </pre>
C Code Example ⁽¹⁾
<pre> void SPI_MasterInit(void) { /* Set MOSI and SCK output, all others input */ DDR_SPI = (1<<DD_MOSI) (1<<DD_SCK); /* Enable SPI, Master, set clock rate fck/16 */ SPCR = (1<<SPE) (1<<MSTR) (1<<SPR0); } void SPI_MasterTransmit(char cData) { /* Start transmission */ SPDR = cData; /* Wait for transmission complete */ while(!(SPSR & (1<<SPIF))) ; } </pre>

Note: 1. The example code assumes that the part specific header file is included.

The following code examples show how to initialize the SPI as a Slave and how to perform a simple reception.

Assembly Code Example ⁽¹⁾
<pre>SPI_SlaveInit: ; Set MISO output, all others input ldi r17,(1<<DD_MISO) out DDR_SPI,r17 ; Enable SPI ldi r17,(1<<SPE) out SPCR,r17 ret SPI_SlaveReceive: ; Wait for reception complete sbis SPSR,SPIF rjmp SPI_SlaveReceive ; Read received data and return in r16,SPDR ret</pre>
C Code Example ⁽¹⁾
<pre>void SPI_SlaveInit(void) { /* Set MISO output, all others input */ DDR_SPI = (1<<DD_MISO); /* Enable SPI */ SPCR = (1<<SPE); } char SPI_SlaveReceive(void) { /* Wait for reception complete */ while(!(SPSR & (1<<SPIF))) ; /* Return data register */ return SPDR; }</pre>

Note: 1. The example code assumes that the part specific header file is included.

15.2 \overline{SS} Pin Functionality

15.2.1 Slave Mode

When the SPI is configured as a slave, the slave select (\overline{SS}) pin is always input. When \overline{SS} is held low, the SPI is activated, and MISO becomes an output if configured so by the user. All other pins are inputs. When \overline{SS} is driven high, all pins are inputs, and the SPI is passive, which means that it will not receive incoming data. Note that the SPI logic will be reset once the \overline{SS} pin is driven high.

The \overline{SS} pin is useful for packet/byte synchronization to keep the slave bit counter synchronous with the master clock generator. When the \overline{SS} pin is driven high, the SPI slave will immediately reset the send and receive logic, and drop any partially received data in the shift register.

15.2.2 Master Mode

When the SPI is configured as a master (MSTR in SPCR is set), the user can determine the direction of the \overline{SS} pin.

If \overline{SS} is configured as an output, the pin is a general output pin which does not affect the SPI system. Typically, the pin will be driving the \overline{SS} pin of the SPI slave.

If \overline{SS} is configured as an input, it must be held high to ensure master SPI operation. If the \overline{SS} pin is driven low by peripheral circuitry when the SPI is configured as a master with the \overline{SS} pin defined as an input, the SPI system interprets this as another master selecting the SPI as a slave and starting to send data to it. To avoid bus contention, the SPI system takes the following actions:

1. The MSTR bit in SPCR is cleared and the SPI system becomes a slave. As a result of the SPI becoming a slave, the MOSI and SCK pins become inputs.
2. The SPIF flag in SPSR is set, and if the SPI interrupt is enabled, and the I-bit in SREG is set, the interrupt routine will be executed.

Thus, when interrupt-driven SPI transmission is used in master mode, and there exists a possibility that \overline{SS} is driven low, the interrupt should always check that the MSTR bit is still set. If the MSTR bit has been cleared by a slave select, it must be set by the user to re-enable SPI master mode.

15.2.3 MCU Control Register – MCUCR

Bit	7	6	5	4	3	2	1	0	
	SPIPS	–	–	PUD	–	–	IVSEL	IVCE	MCUCR
Read/Write	R/W	R	R	R/W	R	R	R/W	R/W	
Initial Value	0	0	0	0	0	0	0	0	

- **Bit 7– SPIPS: SPI Pin Redirection**

- Thanks to SPIPS (SPI pin select) in MCUCR Sfr, SPI pins can be redirected.
- When the SPIPS bit is written to zero, the SPI signals are directed on pins MISO, MOSI, SCK and SS.
- When the SPIPS bit is written to one, the SPI signals are directed on alternate SPI pins, MISO_A, MOSI_A, SCK_A and SS_A.

Note that programming port are always located on alternate SPI port.

15.2.4 SPI Control Register – SPCR

Bit	7	6	5	4	3	2	1	0	
	SPIE	SPE	DORD	MSTR	CPOL	CPHA	SPR1	SPR0	SPCR
Read/Write	R/W	R/W	R/W	R/W	R/W	R/W	R/W	R/W	
Initial Value	0	0	0	0	0	0	0	0	

- **Bit 7 – SPIE: SPI Interrupt Enable**

This bit causes the SPI interrupt to be executed if SPIF bit in the SPSR register is set and the if the global interrupt enable bit in SREG is set.

- **Bit 6 – SPE: SPI Enable**

When the SPE bit is written to one, the SPI is enabled. This bit must be set to enable any SPI operations.

- **Bit 5 – DORD: Data Order**

When the DORD bit is written to one, the LSB of the data word is transmitted first.

When the DORD bit is written to zero, the MSB of the data word is transmitted first.

- **Bit 4 – MSTR: Master/Slave Select**

This bit selects master SPI mode when written to one, and slave SPI mode when written logic zero. If \overline{SS} is configured as an input and is driven low while MSTR is set, MSTR will be cleared, and SPIF in SPSR will become set. The user will then have to set MSTR to re-enable SPI master mode.

- **Bit 3 – CPOL: Clock Polarity**

When this bit is written to one, SCK is high when idle. When CPOL is written to zero, SCK is low when idle. Refer to [Figure 15-3](#) and [Figure 15-4](#) for an example. The CPOL functionality is summarized below:

Table 15-2. CPOL Functionality

CPOL	Leading Edge	Trailing Edge
0	Rising	Falling
1	Falling	Rising

- **Bit 2 – CPHA: Clock Phase**

The settings of the clock phase bit (CPHA) determine if data is sampled on the leading (first) or trailing (last) edge of SCK. Refer to [Figure 15-3](#) and [Figure 15-4](#) for an example. The CPHA functionality is summarized below:

Table 15-3. CPHA Functionality

CPHA	Leading Edge	Trailing Edge
0	Sample	Setup
1	Setup	Sample

- **Bits 1, 0 – SPR1, SPR0: SPI Clock Rate Select 1 and 0**

These two bits control the SCK rate of the device configured as a Master. SPR1 and SPR0 have no effect on the slave. The relationship between SCK and the $f_{clk_{IO}}$ frequency $f_{clk_{IO}}$ is shown in the following table:

Table 15-4. Relationship Between SCK and the Oscillator Frequency

SPI2X	SPR1	SPR0	SCK Frequency
0	0	0	$f_{clk_{IO}}/4$
0	0	1	$f_{clk_{IO}}/16$
0	1	0	$f_{clk_{IO}}/64$
0	1	1	$f_{clk_{IO}}/128$
1	0	0	$f_{clk_{IO}}/2$
1	0	1	$f_{clk_{IO}}/8$
1	1	0	$f_{clk_{IO}}/32$
1	1	1	$f_{clk_{IO}}/64$

15.2.5 SPI Status Register – SPSR

Bit	7	6	5	4	3	2	1	0	
	SPIF	WCOL	–	–	–	–	–	SPI2X	SPSR
Read/Write	R	R	R	R	R	R	R	R/W	
Initial Value	0	0	0	0	0	0	0	0	

- **Bit 7 – SPIF: SPI Interrupt Flag**

When a serial transfer is complete, the SPIF flag is set. An interrupt is generated if SPIE in SPCR is set and global interrupts are enabled. If \overline{SS} is an input and is driven low when the SPI is in master mode, this will also set the SPIF flag. SPIF is cleared by hardware when executing the corresponding interrupt handling vector. Alternatively, the SPIF bit is cleared by first reading the SPI status register with SPIF set, then accessing the SPI data register (SPDR).

- **Bit 6 – WCOL: Write COLLision Flag**

The WCOL bit is set if the SPI data register (SPDR) is written during a data transfer. The WCOL bit (and the SPIF bit) are cleared by first reading the SPI status register with WCOL set, and then accessing the SPI data register.

- **Bit 5..1 – Res: Reserved Bits**

These bits are reserved bits in the ATmega16/32/64/M1/C1 and will always read as zero.

- **Bit 0 – SPI2X: Double SPI Speed Bit**

When this bit is written logic one the SPI speed (SCK Frequency) will be doubled when the SPI is in master mode (see [Table 15-4](#)). This means that the minimum SCK period will be two CPU clock periods. When the SPI is configured as slave, the SPI is only guaranteed to work at $f_{clk_{IO}}/4$ or lower.

The SPI interface on the ATmega16/32/64/M1/C1 is also used for program memory and EEPROM downloading or uploading. See [Section 25.9.1 “Serial Programming Algorithm” on page 270](#) for serial programming and verification.

15.2.6 SPI Data Register – SPDR

Bit	7	6	5	4	3	2	1	0	
	SPD7	SPD6	SPD5	SPD4	SPD3	SPD2	SPD1	SPD0	SPDR
Read/Write	R/W	R/W	R/W	R/W	R/W	R/W	R/W	R/W	
Initial Value	X	X	X	X	X	X	X	X	Undefined

- **Bits 7:0 - SPD7:0: SPI Data**

The SPI data register is a read/write register used for data transfer between the register file and the SPI shift register. Writing to the register initiates data transmission. Reading the register causes the shift register receive buffer to be read.

15.3 Data Modes

There are four combinations of SCK phase and polarity with respect to serial data, which are determined by control bits CPHA and CPOL. The SPI data transfer formats are shown in Figure 15-3 and Figure 15-4. Data bits are shifted out and latched in on opposite edges of the SCK signal, ensuring sufficient time for data signals to stabilize. This is clearly seen by summarizing Table 15-2 and Table 15-3, as done below:

Table 15-5. CPOL Functionality

	Leading Edge	Trailing eDge	SPI Mode
CPOL=0, CPHA=0	Sample (rising)	Setup (falling)	0
CPOL=0, CPHA=1	Setup (rising)	Sample (falling)	1
CPOL=1, CPHA=0	Sample (falling)	Setup (rising)	2
CPOL=1, CPHA=1	Setup (falling)	Sample (rising)	3

Figure 15-3. SPI Transfer Format with CPHA = 0

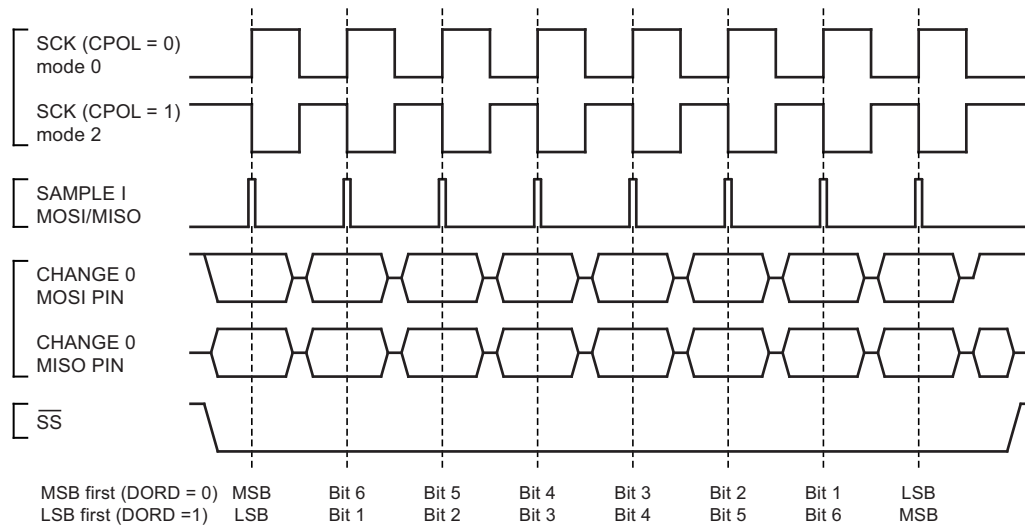
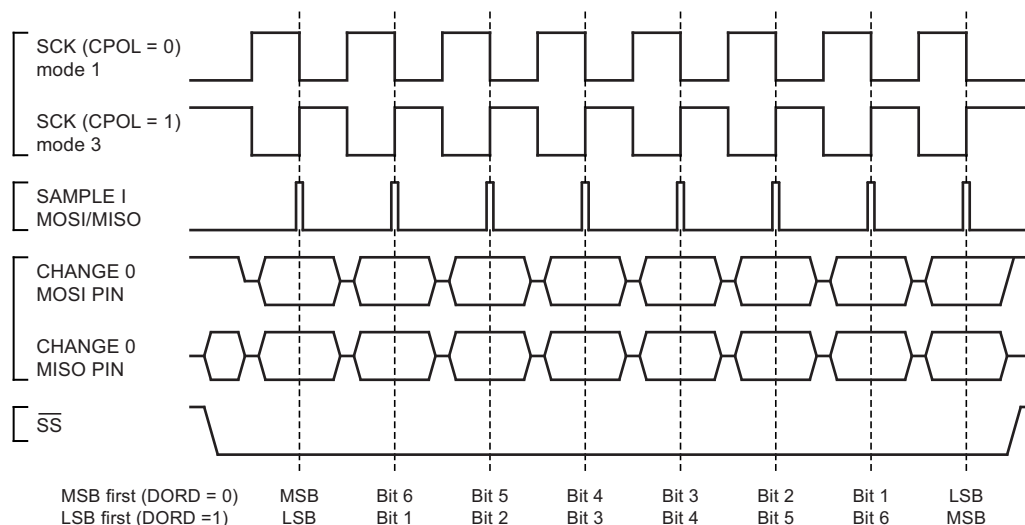


Figure 15-4. SPI Transfer Format with CPHA = 1



16. Controller Area Network - CAN

The controller area network (CAN) protocol is a real-time, serial, broadcast protocol with a very high level of security. The ATmega16/32/64/M1/C1 CAN controller is fully compatible with the CAN Specification 2.0 Part A and Part B. It delivers the features required to implement the kernel of the CAN bus protocol according to the ISO/OSI reference model:

- The data link layer
 - the logical link control (LLC) sublayer
 - the medium access control (MAC) sublayer
- The physical layer
 - the physical signalling (PLS) sublayer
 - not supported - the physical medium attach (PMA)
 - not supported - the medium dependent interface (MDI)

The CAN controller is able to handle all types of frames (data, remote, error and overload) and achieves a bitrate of 1Mbit/s.

16.1 Features

- Full can controller
- Fully compliant with CAN standard rev 2.0 A and rev 2.0 B
- 6 MOB (message object) with their own:
 - 11 bits of identifier tag (rev 2.0 A), 29 bits of identifier tag (rev 2.0 B)
 - 11 bits of identifier mask (rev 2.0 A), 29 bits of identifier mask (rev 2.0 B)
 - 8 bytes data buffer (static allocation)
 - Tx, Rx, frame buffer or automatic reply configuration
 - Time stamping
- 1Mbit/s maximum transfer rate at 8MHz
- TTC timer
- Listening mode (for spying or autobaud)

16.2 CAN Protocol

The CAN protocol is an international standard defined in the ISO 11898 for high speed and ISO 11519-2 for low speed.

16.2.1 Principles

CAN is based on a broadcast communication mechanism. This broadcast communication is achieved by using a message oriented transmission protocol. These messages are identified by using a message identifier. Such a message identifier has to be unique within the whole network and it defines not only the content but also the priority of the message.

The priority at which a message is transmitted compared to another less urgent message is specified by the identifier of each message. The priorities are laid down during system design in the form of corresponding binary values and cannot be changed dynamically. The identifier with the lowest binary number has the highest priority.

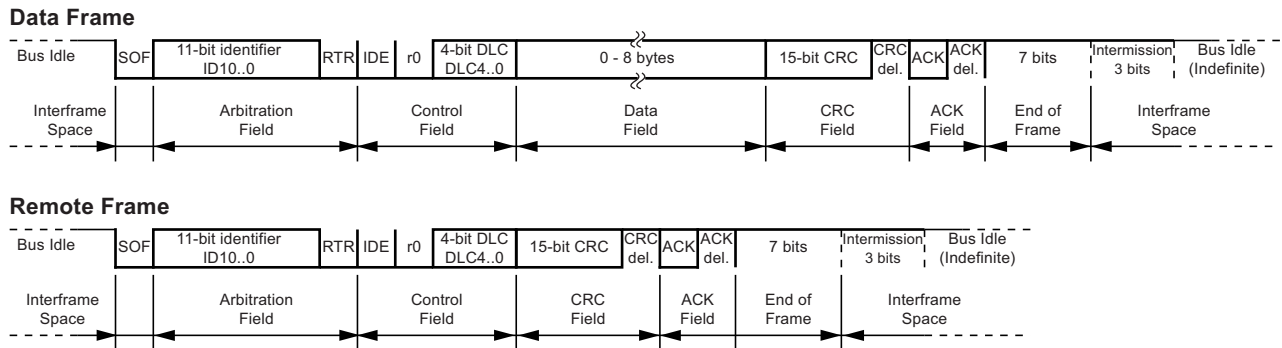
Bus access conflicts are resolved by bit-wise arbitration on the identifiers involved by each node observing the bus level bit for bit. This happens in accordance with the “wired and” mechanism, by which the dominant state overwrites the recessive state. The competition for bus allocation is lost by all nodes with recessive transmission and dominant observation. All the “losers” automatically become receivers of the message with the highest priority and do not re-attempt transmission until the bus is available again.

16.2.2 Message Formats

The CAN protocol supports two message frame formats, the only essential difference being in the length of the identifier. The CAN standard frame, also known as CAN 2.0 A, supports a length of 11 bits for the identifier, and the CAN extended frame, also known as CAN 2.0 B, supports a length of 29 bits for the identifier.

16.2.2.1 Can Standard Frame

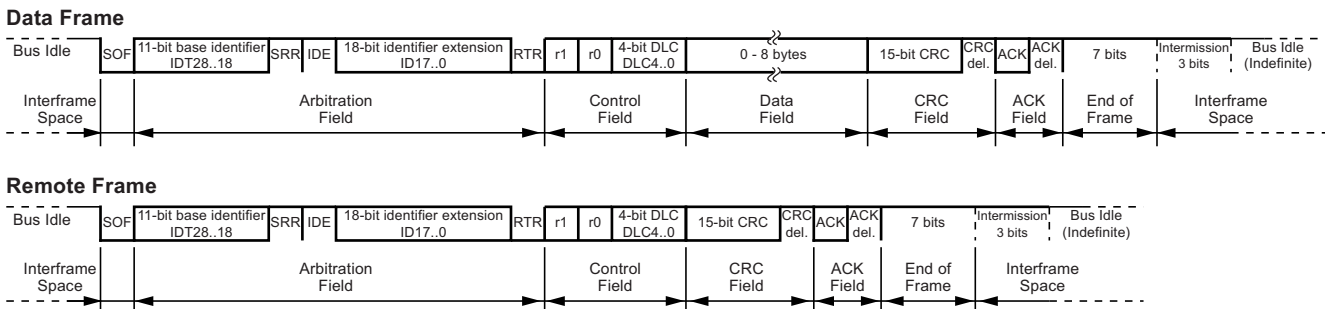
Figure 16-1. CAN Standard Frames



A message in the CAN standard frame format begins with the “Start Of Frame (SOF)”, this is followed by the “Arbitration field” which consist of the identifier and the “Remote Transmission Request (RTR)” bit used to distinguish between the data frame and the data request frame called remote frame. The following “Control field” contains the “IDentifier Extension (IDE)” bit and the “Data Length Code (DLC)” used to indicate the number of following data bytes in the “Data field”. In a remote frame, the DLC contains the number of requested data bytes. The “Data field” that follows can hold up to 8 data bytes. The frame integrity is guaranteed by the following “Cyclic Redundant Check (CRC)” sum. The “ACKnowledge (ACK) field” comprises the ACK slot and the ACK delimiter. The bit in the ACK slot is sent as a recessive bit and is overwritten as a dominant bit by the receivers which have at this time received the data correctly. Correct messages are acknowledged by the receivers regardless of the result of the acceptance test. The end of the message is indicated by “End Of Frame (EOF)”. The “Intermission Frame Space (IFS)” is the minimum number of bits separating consecutive messages. If there is no following bus access by any node, the bus remains idle.

16.2.2.2 CAN Extended Frame

Figure 16-2. CAN Extended Frames



A message in the CAN extended frame format is likely the same as a message in CAN standard frame format. The difference is the length of the identifier used. The identifier is made up of the existing 11-bit identifier (base identifier) and an 18-bit extension (identifier extension). The distinction between CAN standard frame format and CAN extended frame format is made by using the IDE bit which is transmitted as dominant in case of a frame in CAN standard frame format, and transmitted as recessive in the other case.

16.2.2.3 Format Co-existence

As the two formats have to co-exist on one bus, it is laid down which message has higher priority on the bus in the case of bus access collision with different formats and the same identifier / base identifier: The message in CAN standard frame format always has priority over the message in extended format.

There are three different types of CAN modules available:

- 2.0A - considers 29 bit ID as an error
- 2.0B passive - ignores 29 bit ID messages
- 2.0B active - handles both 11 and 29 bit ID messages

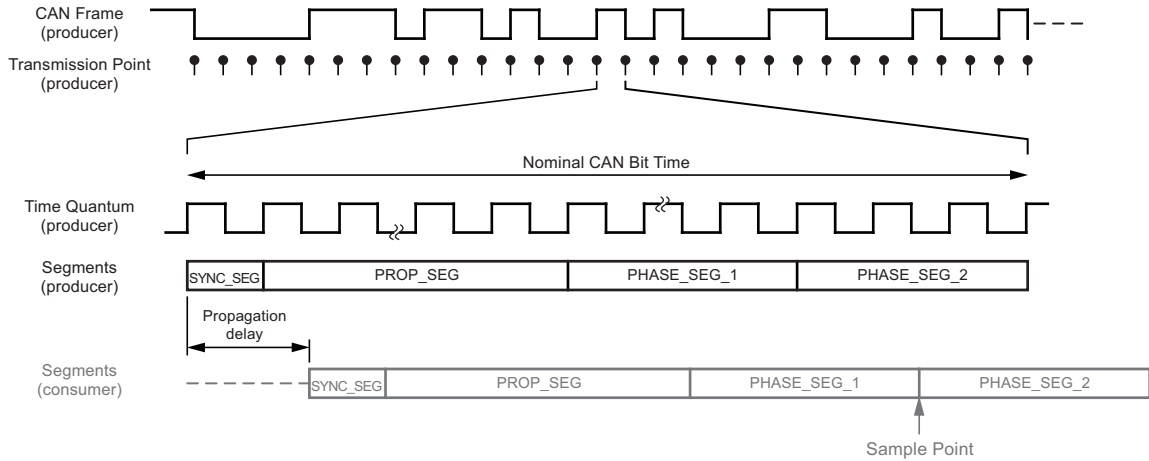
16.2.3 CAN Bit Timing

To ensure correct sampling up to the last bit, a CAN node needs to re-synchronize throughout the entire frame. This is done at the beginning of each message with the falling edge SOF and on each recessive to dominant edge.

16.2.3.1 Bit Construction

One CAN bit time is specified as four non-overlapping time segments. Each segment is constructed from an integer multiple of the time quantum. The time quantum or TQ is the smallest discrete timing resolution used by a CAN node.

Figure 16-3. CAN Bit Construction



16.2.3.2 Synchronization Segment

The first segment is used to synchronize the various bus nodes.

On transmission, at the start of this segment, the current bit level is output. If there is a bit state change between the previous bit and the current bit, then the bus state change is expected to occur within this segment by the receiving nodes.

16.2.3.3 Propagation Time Segment

This segment is used to compensate for signal delays across the network.

This is necessary to compensate for signal propagation delays on the bus line and through the transceivers of the bus nodes.

16.2.3.4 Phase Segment 1

Phase Segment 1 is used to compensate for edge phase errors.

This segment may be lengthened during re-synchronization.

16.2.3.5 Sample Point

The sample point is the point of time at which the bus level is read and interpreted as the value of the respective bit. Its location is at the end of phase segment 1 (between the two phase segments).

16.2.3.6 Phase Segment 2

This segment is also used to compensate for edge phase errors.

This segment may be shortened during re-synchronization, but the length has to be at least as long as the information processing time (IPT) and may not be more than the length of phase segment 1.

16.2.3.7 Information Processing Time

It is the time required for the logic to determine the bit level of a sampled bit.

The IPT begins at the sample point, is measured in TQ and is fixed at 2TQ for the Atmel CAN. Since phase segment 2 also begins at the sample point and is the last segment in the bit time, PS2 minimum shall not be less than the IPT.

16.2.3.8 Bit Lengthening

As a result of resynchronization, phase segment 1 may be lengthened or phase segment 2 may be shortened to compensate for oscillator tolerances. If, for example, the transmitter oscillator is slower than the receiver oscillator, the next falling edge used for resynchronization may be delayed. So phase segment 1 is lengthened in order to adjust the sample point and the end of the bit time.

16.2.3.9 Bit Shortening

If, on the other hand, the transmitter oscillator is faster than the receiver one, the next falling edge used for resynchronization may be too early. So phase segment 2 in bit N is shortened in order to adjust the sample point for bit N+1 and the end of the bit time

16.2.3.10 Synchronization Jump Width

The limit to the amount of lengthening or shortening of the phase segments is set by the Resynchronization jump width. This segment may not be longer than phase segment 2.

16.2.3.11 Programming the Sample Point

Programming of the sample point allows “tuning” of the characteristics to suit the bus.

Early sampling allows more time quanta in the phase segment 2 so the synchronization jump width can be programmed to its maximum. This maximum capacity to shorten or lengthen the bit time decreases the sensitivity to node oscillator tolerances, so that lower cost oscillators such as ceramic resonators may be used.

Late sampling allows more time quanta in the propagation time segment which allows a poorer bus topology and maximum bus length.

16.2.3.12 Synchronization

Hard synchronization occurs on the recessive-to-dominant transition of the start bit. The bit time is restarted from that edge.

Re-synchronization occurs when a recessive-to-dominant edge doesn't occur within the synchronization segment in a message.

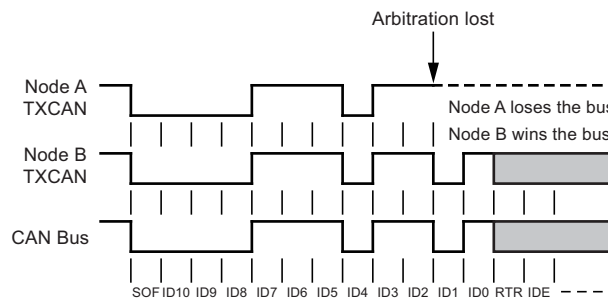
16.2.4 Arbitration

The CAN protocol handles bus accesses according to the concept called “Carrier Sense Multiple Access with Arbitration on Message Priority”.

during transmission, arbitration on the CAN bus can be lost to a competing device with a higher priority CAN Identifier. This arbitration concept avoids collisions of messages whose transmission was started by more than one node simultaneously and makes sure the most important message is sent first without time loss.

The bus access conflict is resolved during the arbitration field mostly over the identifier value. If a data frame and a remote frame with the same identifier are initiated at the same time, the data frame prevails over the remote frame (c.f. RTR bit).

Figure 16-4. Bus Arbitration



16.2.5 Errors

The CAN protocol signals any errors immediately as they occur. Three error detection mechanisms are implemented at the message level and two at the bit level:

16.2.5.1 Error at Message Level

- **Cyclic redundancy check (CRC)**
The CRC safeguards the information in the frame by adding redundant check bits at the transmission end. At the receiver these bits are re-computed and tested against the received bits. If they do not agree there has been a CRC error.
- **Frame check**
This mechanism verifies the structure of the transmitted frame by checking the bit fields against the fixed format and the frame size. Errors detected by frame checks are designated “format errors”.
- **ACK errors**
As already mentioned frames received are acknowledged by all receivers through positive acknowledgement. If no acknowledgement is received by the transmitter of the message an ACK error is indicated.

16.2.5.2 Error at Bit Level

- **Monitoring**
The ability of the transmitter to detect errors is based on the monitoring of bus signals. Each node which transmits also observes the bus level and thus detects differences between the bit sent and the bit received. This permits reliable detection of global errors and errors local to the transmitter.
- **Bit stuffing**
The coding of the individual bits is tested at bit level. The bit representation used by CAN is “Non Return to Zero (NRZ)” coding, which guarantees maximum efficiency in bit coding. The synchronization edges are generated by means of bit stuffing.

16.2.5.3 Error Signalling

If one or more errors are discovered by at least one node using the above mechanisms, the current transmission is aborted by sending an “error flag”. This prevents other nodes accepting the message and thus ensures the consistency of data throughout the network. After transmission of an erroneous message that has been aborted, the sender automatically re-attempts transmission.

16.3 CAN Controller

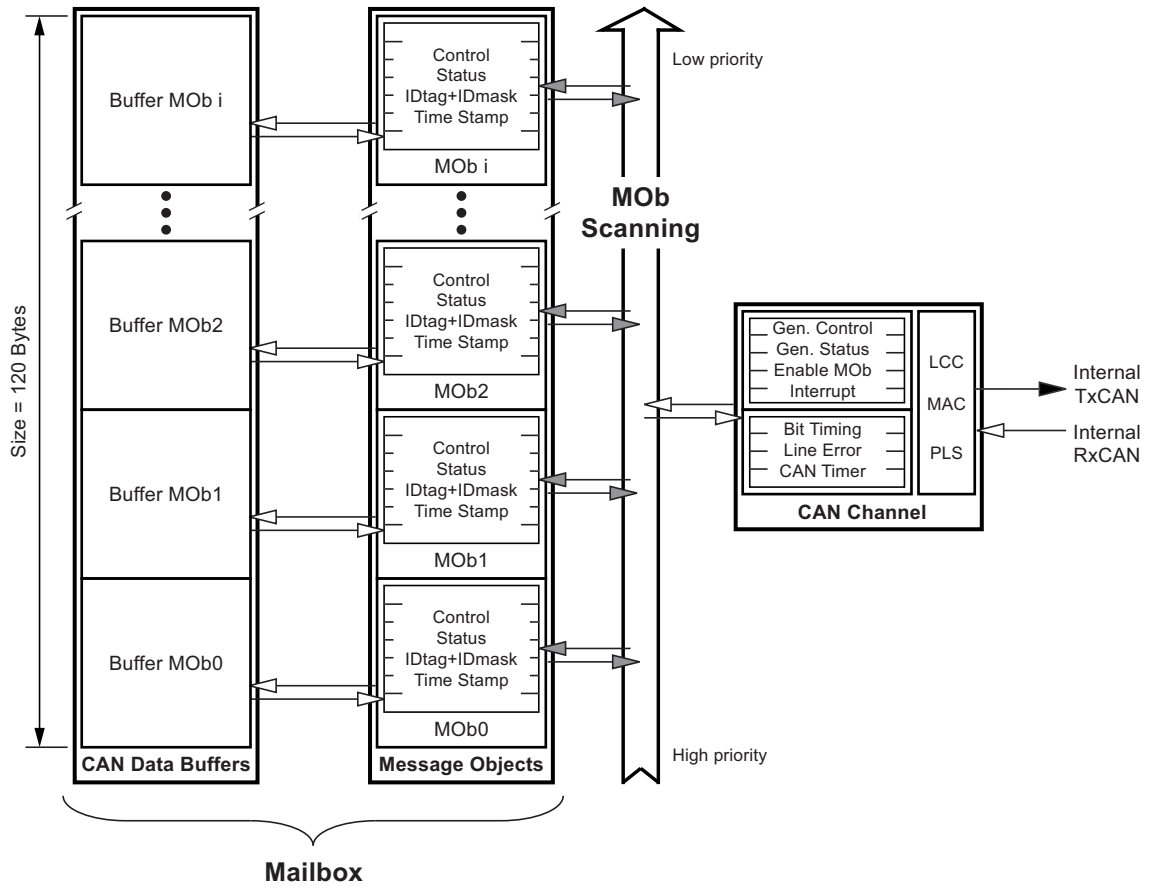
The CAN controller implemented into ATmega16/32/64/M1/C1 offers V2.0B active.

This full-CAN controller provides the whole hardware for convenient acceptance filtering and message management. For each message to be transmitted or received this module contains one so called message object in which all information regarding the message (e.g. identifier, data bytes etc.) are stored.

During the initialization of the peripheral, the application defines which messages are to be sent and which are to be received. Only if the CAN controller receives a message whose identifier matches with one of the identifiers of the programmed (receive) message objects the message is stored and the application is informed by interrupt. Another advantage is that incoming remote frames can be answered automatically by the full-CAN controller with the corresponding data frame. In this way, the CPU load is strongly reduced compared to a basic-CAN solution.

Using full-CAN controller, high baudrates and high bus loads with many messages can be handled.

Figure 16-5. CAN Controller Structure



16.4 CAN Channel

16.4.1 Configuration

The CAN channel can be in:

- Enabled mode

In this mode:

- the CAN channel (internal TxCAN and RxCAN) is enabled,
- the input clock is enabled.

- Standby mode

In standby mode:

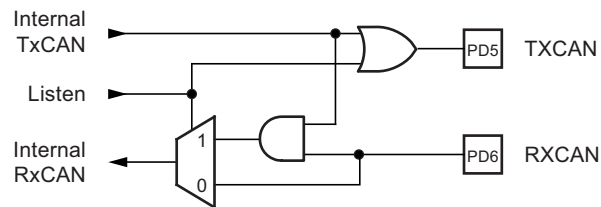
- the transmitter constantly provides a recessive level (on internal TxCAN) and the receiver is disabled,
- input clock is enabled,
- the registers and pages remain accessible.

- Listening mode

This mode is transparent for the CAN channel:

- enables a hardware loop back, internal TxCAN on internal RxCAN
- provides a recessive level on TXCAN output pin
- does not disable RXCAN input pin
- freezes TEC and REC error counters

Figure 16-6. Listening Mode



16.4.2 Bit Timing

FSM's (finite state machine) of the CAN channel need to be synchronous to the time quantum. So, the input clock for bit timing is the clock used into CAN channel FSM's.

Field and segment abbreviations:

- BRP: Baud rate prescaler.
- TQ: Time quantum (output of baud rate prescaler).
- SYNS: Synchronization segment is 1 TQ long.
- PRS: Propagation time segment is programmable to be 1, 2, ..., 8 TQ long.
- PHS1: Phase segment 1 is programmable to be 1, 2, ..., 8 TQ long.
- PHS2: Phase segment 2 is programmable to be \leq PHS1 and \geq INFORMATION PROCESSING TIME.
- INFORMATION PROCESSING TIME is 2 TQ.
- SJW: (Re) Synchronization jump width is programmable between 1 and $\min(4, \text{PHS1})$.

The total number of TQ in a bit time has to be programmed at least from 8 to 25.

Figure 16-7. Sample and Transmission Point

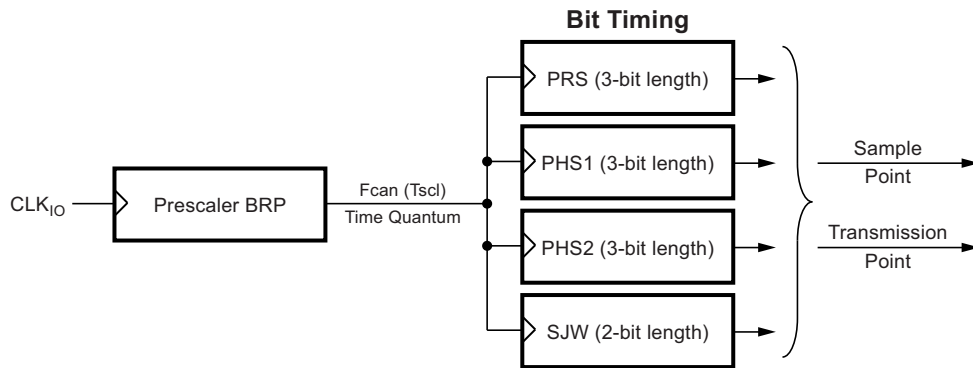
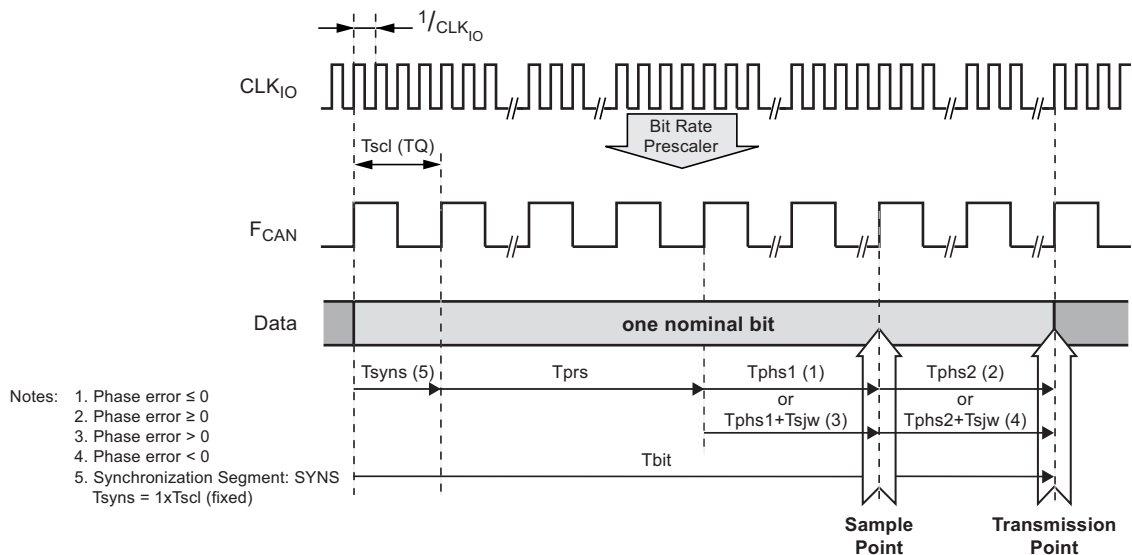


Figure 16-8. General Structure of a Bit Period



16.4.3 Baud Rate

With no baud rate prescaler (BRP[5..0]=0) the sampling point comes one time quantum too early. This leads to a fail according the ISO16845 Test plan. It is necessary to lengthen the phase segment 1 by one time quantum and to shorten the phase segment 2 by one time quantum to compensate.

The baud rate selection is made by T_{bit} calculation:

$$T_{bit}^{(1)} = T_{syns} + T_{prs} + T_{phs1} + T_{phs2}$$

1. $T_{syns} = 1 \times T_{scL} = (BRP[5..0] + 1) / clk_{IO} (= 1TQ)$
2. $T_{prs} = (1 \text{ to } 8) \times T_{scL} = (PRS[2..0] + 1) \times T_{scL}$
3. $T_{phs1} = (1 \text{ to } 8) \times T_{scL} = (PHS1[2..0] + 1) \times T_{scL}$
4. $T_{phs2} = (1 \text{ to } 8) \times T_{scL} = (PHS2[2..0]^{(2)} + 1) \times T_{scL}$
5. $T_{sjw} = (1 \text{ to } 4) \times T_{scL} = (SJW[1..0] + 1) \times T_{scL}$

- Notes:
1. The total number of TscL (Time Quanta) in a bit time must be from 8 to 25.
 2. PHS2[2..0] is programmable to be $\leq PHS1[2..0]$ and ≥ 1 .

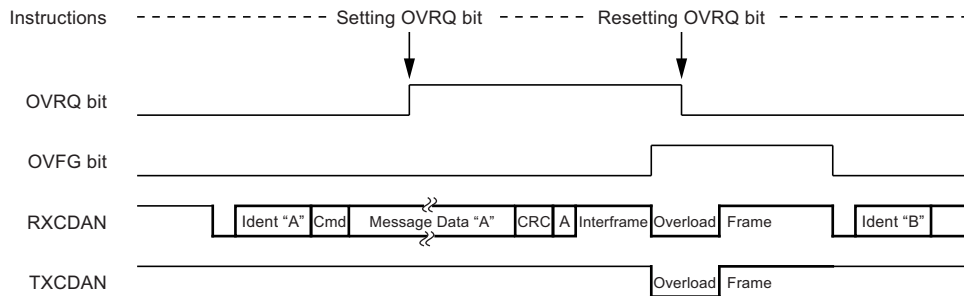
16.4.4 Fault Confinement

(c.f. [Section 16.7 "Error Management" on page 153](#)).

16.4.5 Overload Frame

An overload frame is sent by setting an overload request (OVRQ). After the next reception, the CAN channel sends an overload frame in accordance with the CAN specification. A status or flag is set (OVRF) as long as the overload frame is sent.

Figure 16-9. Overload Frame



16.5 Message Objects

The MOB is a CAN frame descriptor. It contains all information to handle a CAN frame. This means that a MOB has been outlined to allow to describe a CAN message like an object. The set of MOBs is the front end part of the “mailbox” where the messages to send and/or to receive are pre-defined as well as possible to decrease the work load of the software.

The MOBs are independent but priority is given to the lower one in case of multi matching. The operating modes are:

- Disabled mode
- Transmit mode
- Receive mode
- Automatic reply
- Frame buffer receive mode

16.5.1 Number of MOBs

This device has 6 MOBs, they are numbered from 0 up to 5 (i=5).

16.5.2 Operating Modes

There is **no** default mode after RESET.

Every MOB has its own fields to control the operating mode. Before enabling the CAN peripheral, each MOB must be configured (ex: disabled mode - CONMOB=00).

Table 16-1. MOB Configuration

MOB Configuration		Reply Valid	RTR Tag	Operating Mode
0	0	x	x	Disabled
0	1	x	0	Tx Data Frame
		x	1	Tx Remote Frame
1	0	x	0	Rx Data Frame
		0	1	Rx Remote Frame
		1		Rx Remote Frame then, Tx Data Frame (reply)
1	1	x	x	Frame Buffer Receive Mode

16.5.2.1 Disabled

In this mode, the MOB is “free”.

16.5.2.2 Tx Data and Remote Frame

1. Several fields must be initialized before sending:
 - Identifier tag (IDT)
 - Identifier extension (IDE)
 - Remote transmission request (RTRTAG)
 - Data length code (DLC)
 - Reserved bit(s) tag (RBnTAG)
 - Data bytes of message (MSG)
2. The MOB is ready to send a data or a remote frame when the MOB configuration is set (CONMOB).
3. Then, the CAN channel scans all the MOBs in Tx configuration, finds the MOB having the highest priority and tries to send it.
4. When the transmission is completed the TXOK flag is set (interrupt).
5. All the parameters and data are available in the MOB until a new initialization.

16.5.2.3 Rx Data and Remote Frame

1. Several fields must be initialized before receiving:
 - Identifier tag (IDT)
 - Identifier mask (IDMSK)
 - Identifier extension (IDE)
 - Identifier extension mask (IDEMSK)
 - Remote transmission request (RTRTAG)
 - Remote transmission request mask (RTRMSK)
 - Data length code (DLC)
 - Reserved bit(s) tag (RBnTAG)
2. The MOB is ready to receive a data or a remote frame when the MOB configuration is set (CONMOB).
3. When a frame identifier is received on CAN network, the CAN channel scans all the MOBs in receive mode, tries to find the MOB having the highest priority which is matching.
4. On a hit, the IDT, the IDE and the DLC of the matched MOB are updated from the incoming (frame) values.
5. Once the reception is completed, the data bytes of the received message are stored (not for remote frame) in the data buffer of the matched MOB and the RXOK flag is set (interrupt).
6. All the parameters and data are available in the MOB until a new initialization.

16.5.2.4 Automatic Reply

A reply (data frame) to a remote frame can be automatically sent after reception of the expected remote frame.

1. Several fields must be initialized before receiving the remote frame:
 - Reply valid (RPLV) in a identical flow to the one described in [Section 16.5.2.3 “Rx Data and Remote Frame” on page 150](#).
2. When a remote frame matches, automatically the RTRTAG and the reply valid bit (RPLV) are reset. No flag (or interrupt) is set at this time. Since the CAN data buffer has not been used by the incoming remote frame, the MOB is then ready to be in transmit mode without any more setting. The IDT, the IDE, the other tags and the DLC of the received remote frame are used for the reply.
3. When the transmission of the reply is completed the TXOK flag is set (interrupt).
4. All the parameters and data are available in the MOB until a new initialization.

16.5.2.5 Frame Buffer Receive Mode

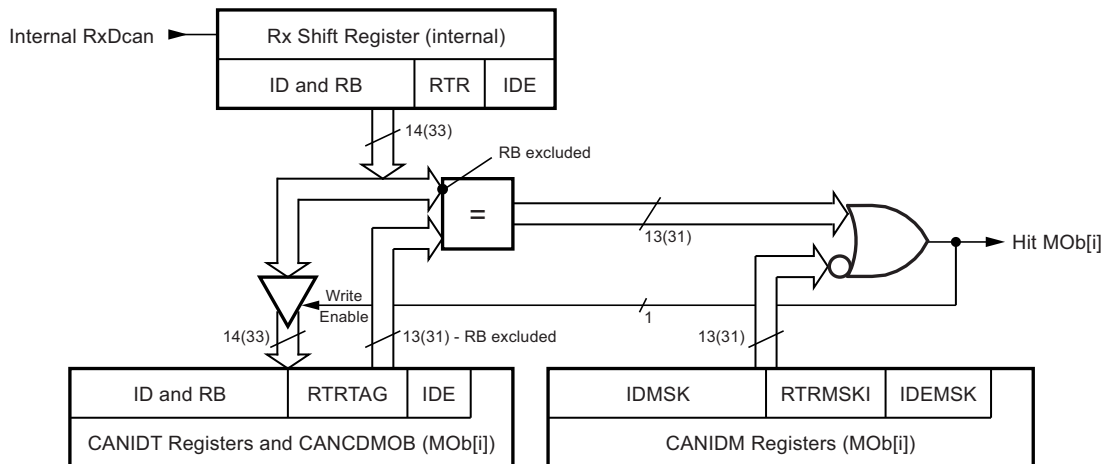
This mode is useful to receive multi frames. The priority between MObs offers a management for these incoming frames. One set MObs (including non-consecutive MObs) is created when the MObs are set in this mode. Due to the mode setting, only one set is possible. A frame buffer completed flag (or interrupt) - BXOK - will rise only when all the MObs of the set will have received their dedicated CAN frame.

1. MObs in frame buffer receive mode need to be initialized as MObs in standard receive mode.
2. The MObs are ready to receive data (or a remote) frames when their respective configurations are set (CONMOB).
3. When a frame identifier is received on CAN network, the CAN channel scans all the MObs in receive mode, tries to find the MOB having the highest priority which is matching.
4. On a hit, the IDT, the IDE and the DLC of the matched MOB are updated from the incoming (frame) values.
5. Once the reception is completed, the data bytes of the received message are stored (not for remote frame) in the data buffer of the matched MOB and the RXOK flag is set (interrupt).
6. When the reception in the last MOB of the set is completed, the frame buffer completed BXOK flag is set (interrupt). BXOK flag can be cleared only if all CONMOB fields of the set have been re-written before.
7. All the parameters and data are available in the MObs until a new initialization.

16.5.3 Acceptance Filter

Upon a reception hit (i.e., a good comparison between the ID + RTR + RBn + IDE received and an IDT + RTRTAG + RBnTAG + IDE specified while taking the comparison mask into account) the IDT + RTRTAG + RBnTAG + IDE received are updated in the MOB (written over the registers).

Figure 16-10. Acceptance Filter Block Diagram



Note: Examples:

Full filtering: to accept only ID = 0x317 in part A.

- ID MSK = 111 1111 1111_b
- ID TAG = 011 0001 0111_b

Partiel filtering: to accept ID from 0x310 up to 0x317 in part A.

- ID MSK = 111 1111 1000_b
- ID TAG = 011 0001 0xxx_b

No filtering: to accept all ID's from 0x000 up to 0x7FF in part A.

- ID MSK = 000 0000 0000_b
- ID TAG = xxx xxxx xxxx_b

16.5.4 MOB Page

Every MOB is mapped into a page to save place. The page number is the MOB number. This page number is set in CANPAGE register. The other numbers are reserved for factory tests.

CANHPMOB register gives the MOB having the highest priority in CANSIT registers. It is formatted to provide a direct entry for CANPAGE register. Because CANHPMOB codes CANSIT registers, it will be only updated if the corresponding enable bits (ENRX, ENTX, ENERR) are enabled (c.f. [Figure 16-14 on page 155](#)).

16.5.5 CAN Data Buffers

To preserve register allocation, the CAN data buffer is seen such as a FIFO (with address pointer accessible) into a MOB selection. This also allows to reduce the risks of un-controlled accesses.

There is one FIFO per MOB. This FIFO is accessed into a MOB page thanks to the CAN message register.

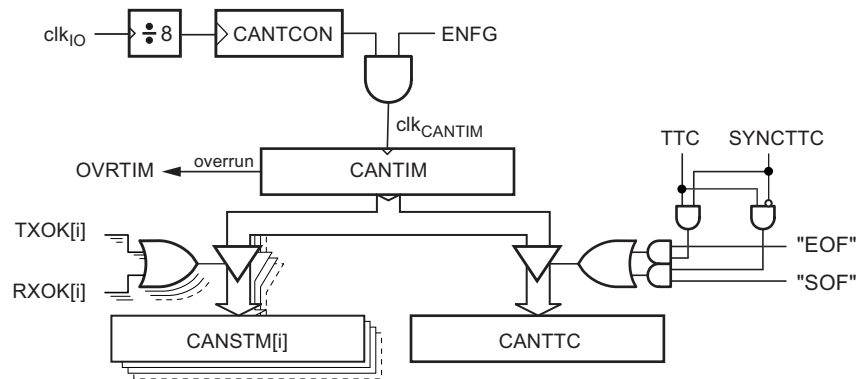
The data index (INDX) is the address pointer to the required data byte. The data byte can be read or write. The data index is automatically incremented after every access if the AINC* bit is reset. A roll-over is implemented, after data index=7 it is data index=0.

The first byte of a CAN frame is stored at the data index=0, the second one at the data index=1, ...

16.6 CAN Timer

A programmable 16-bit timer is used for message stamping and time trigger communication (TTC).

Figure 16-11. CAN Timer Block Diagram



16.6.1 Prescaler

An 8-bit prescaler is initialized by CANTCON register. It receives the clk_{IO} frequency divided by 8. It provides clk_{CANTIM} frequency to the CAN timer if the CAN controller is enabled.

$$T_{clk_{CANTIM}} = T_{clk_{IO}} \times 8 \times (\text{CANTCON} [7:0] + 1)$$

16.6.2 16-bit Timer

This timer starts counting from 0x0000 when the CAN controller is enabled (ENFG bit). When the timer rolls over from 0xFFFF to 0x0000, an interrupt is generated (OVRTIM).

16.6.3 Time Triggering

Two synchronization modes are implemented for TTC (TTC bit):

- synchronization on start of frame (SYNCTTC=0),
- synchronization on end of frame (SYNCTTC=1).

In TTC mode, **a frame is sent once, even if an error occurs.**

16.6.4 Stamping Message

The capture of the timer value is done in the MOB which receives or sends the frame. All managed MOB are stamped, the stamping of a received (sent) frame occurs on RxOk (TXOK).

16.7 Error Management

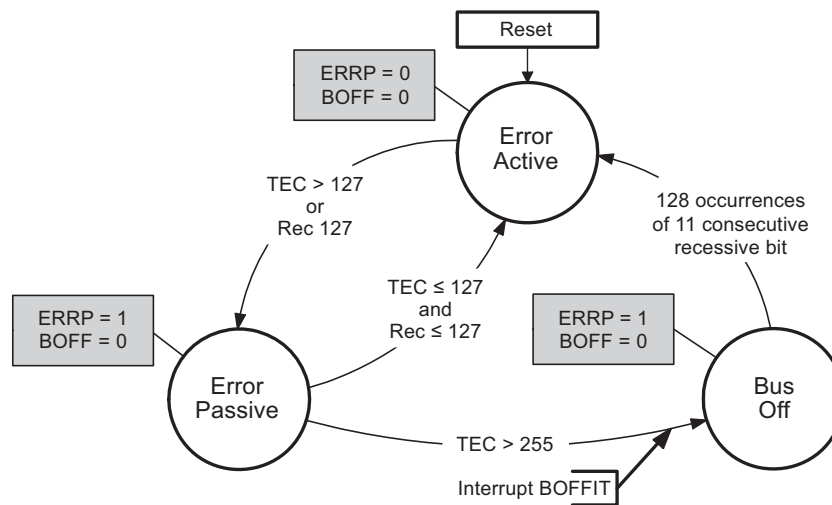
16.7.1 Fault Confinement

The CAN channel may be in one of the three following states:

- Error active (default):
The CAN channel takes part in bus communication and can send an active error frame when the CAN macro detects an error.
- Error passive:
The CAN channel cannot send an active error frame. It takes part in bus communication, but when an error is detected, a passive error frame is sent. Also, after a transmission, an error passive unit will wait before initiating further transmission.
- Bus off:
The CAN channel is not allowed to have any influence on the bus.

For fault confinement, a transmit error counter (TEC) and a receive error counter (REC) are implemented. BOFF and ERRP bits give the information of the state of the CAN channel. Setting BOFF to one may generate an interrupt.

Figure 16-12. Line Error Mode



Note: More than one REC/TEC change may apply during a given message transfer.

16.7.2 Error Types

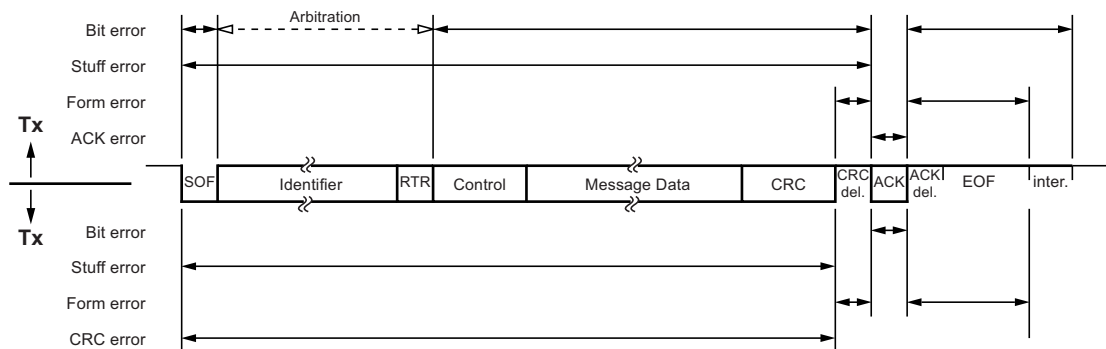
- **BERR**: Bit error. The bit value which is monitored is different from the bit value sent.

Note: Exceptions:

- Recessive bit sent monitored as dominant bit during the arbitration field and the acknowledge slot.
- Detecting a dominant bit during the sending of an error frame.

- **SERR**: Stuff error. Detection of more than five consecutive bit with the same polarity.
- **CERR**: CRC error (Rx only). The receiver performs a CRC check on every destuffed received message from the start of frame up to the data field. If this checking does not match with the destuffed CRC field, a CRC error is set.
- **FERR**: Form error. The form error results from one (or more) violations of the fixed form of the following bit fields:
 - CRC delimiter
 - acknowledgement delimiter
 - end-of-frame
 - error delimiter
 - overload delimiter
- **AERR**: Acknowledgment error (Tx only). No detection of the dominant bit in the acknowledge slot.

Figure 16-13. Error Detection Procedures in a Data Frame



16.7.3 Error Setting

The CAN channel can detect some errors on the CAN network.

- In transmission:
 - The error is set at MOB level.
- In reception:
 - The identified has matched:
 - The error is set at MOB level.
 - The identified has not or not yet matched:
 - The error is set at general level.

After detecting an error, the CAN channel sends an error frame on network. If the CAN channel detects an error frame on network, it sends its own error frame.

16.8 Interrupts

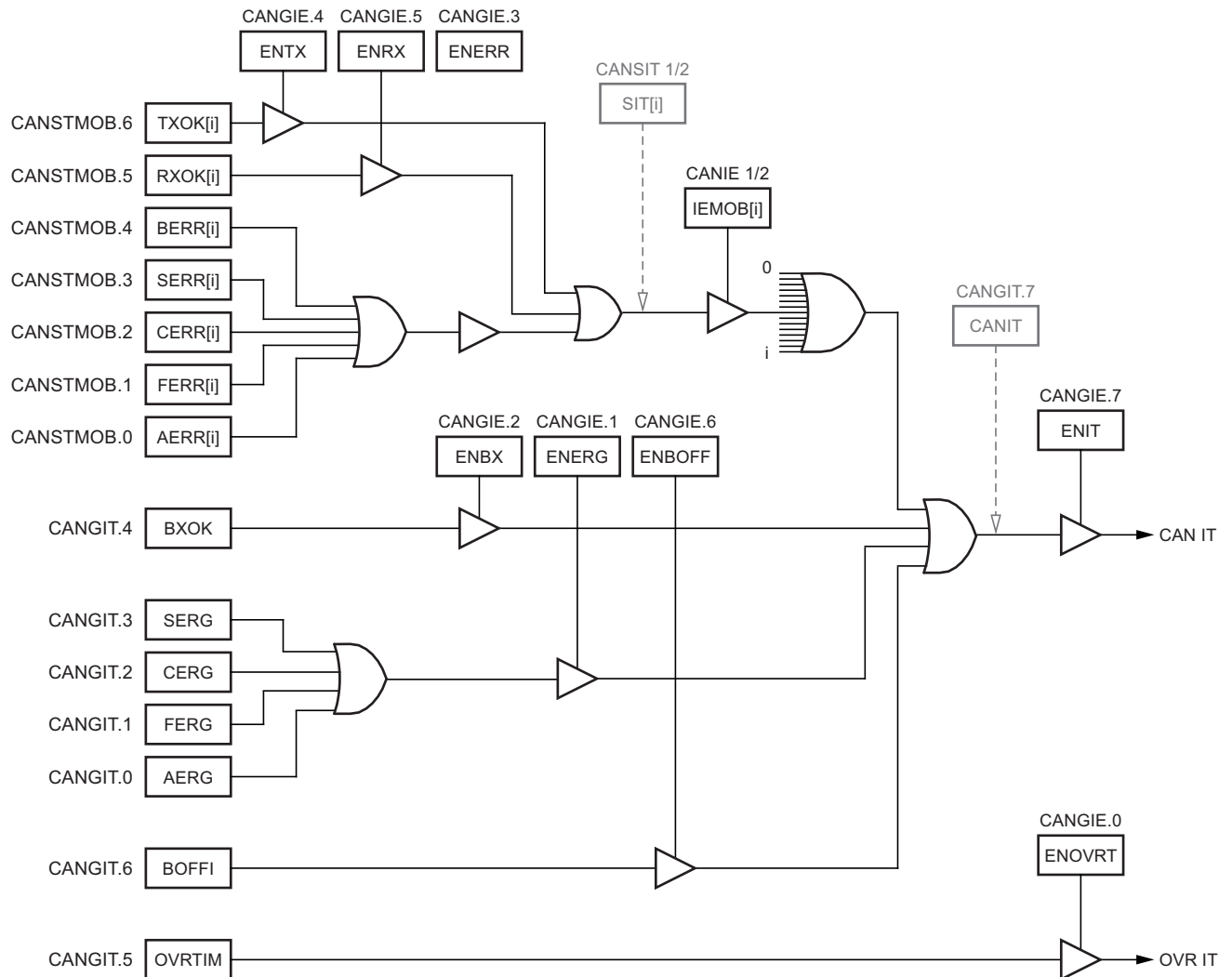
16.8.1 Interrupt organization

The different interrupts are:

- Interrupt on receive completed OK,
- Interrupt on transmit completed OK,
- Interrupt on error (bit error, stuff error, CRC error, form error, acknowledge error),
- Interrupt on frame buffer full,
- Interrupt on “Bus Off” setting,
- Interrupt on overrun of CAN timer.

The general interrupt enable is provided by ENIT bit and the specific interrupt enable for CAN timer overrun is provided by ENOVRT bit.

Figure 16-14. CAN Controller Interrupt Structure



16.8.2 Interrupt Behavior

When an interrupt occurs, an interrupt flag bit is set in the corresponding MOB-CANSTMOB register or in the general CANGIT register. If in the CANIE register, ENRX / ENTX / ENERR bit are set, then the corresponding MOB bit is set in the CANSITn register.

To acknowledge a MOB interrupt, the corresponding bits of CANSTMOB register (RXOK, TXOK,...) must be cleared by the software application. This operation needs a read-modify-write software routine.

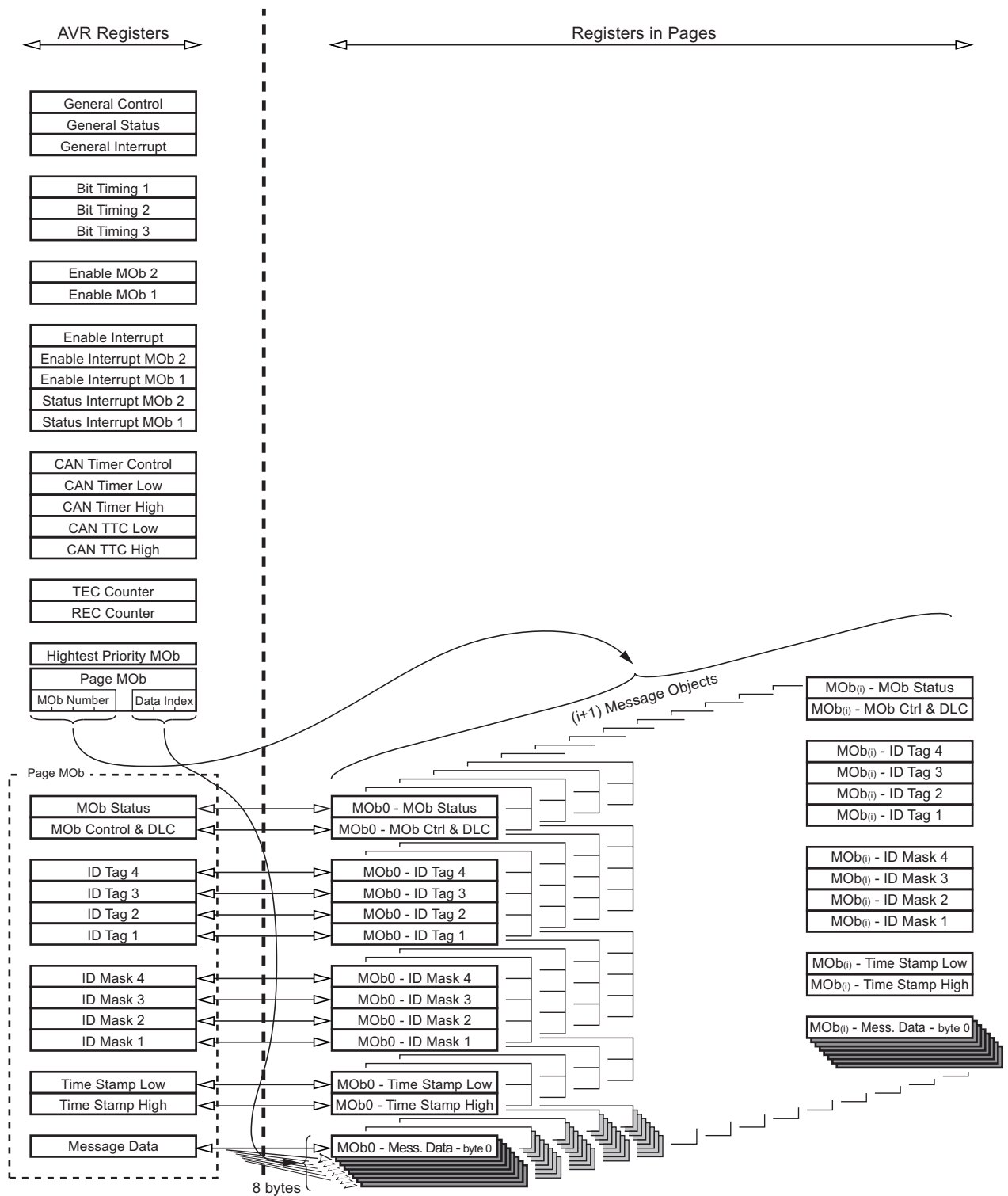
To acknowledge a general interrupt, the corresponding bits of CANGIT register (BXOK, BOFFIT,...) must be cleared by the software application. This operation is made writing a logical one in these interrupt flags (writing a logical zero doesn't change the interrupt flag value).

OVRTIM interrupt flag is reset as the other interrupt sources of CANGIT register and is also reset entering in its dedicated interrupt handler.

When the CAN node is in transmission and detects a Form Error in its frame, a bit Error will also be raised. Consequently, two consecutive interrupts can occur, both due to the same error. When a MOB error occurs and is set in its own CANSTMOB register, no general error is set in CANGIT register.

16.9 CAN Register Description

Figure 16-15. Registers Organization



16.10 General CAN Registers

16.10.1 CAN General Control Register - CANGCON

Bit	7	6	5	4	3	2	1	0	
	ABRQ	OVRQ	TTC	SYNTTC	LISTEN	TEST	ENA/STB	SWRES	CANGCON
Read/Write	R/W	R/W	R/W	R/W	R/W	R/W	R/W	R/W	
Initial Value	0	0	0	0	0	0	0	0	

- **Bit 7 – ABRQ: Abort Request**

This is not an auto resettable bit.

- 0 - no request.
- 1 - abort request: a reset of CANEN1 and CANEN2 registers is done. The pending communications are immediately disabled and the on-going one will be normally terminated, setting the appropriate status flags.

Note that CANCDMOB register remain unchanged.

- **Bit 6 – OVRQ: Overload Frame Request**

This is not an auto resettable bit.

- 0 - no request.
- 1 - overload frame request: send an overload frame after the next received frame.

The overload frame can be traced observing OVFG in CANGSTA register (c.f. [Figure 16-9 on page 149](#)).

- **Bit 5 – TTC: Time Trigger Communication**

- 0 - no TTC.
- 1 - TTC mode.

- **Bit 4 – SYNTTC: Synchronization of TTC**

This bit is only used in TTC mode.

- 0 - the TTC timer is caught on SOF.
- 1 - the TTC timer is caught on the last bit of the EOF.

- **Bit 3 – LISTEN: Listening Mode**

- 0 - no listening mode.
- 1 - listening mode.

- **Bit 2 – TEST: Test Mode**

- 0 - no test mode
- 1 - test mode: intend for factory testing and not for customer use.

Note: CAN may malfunction if this bit is set.

- **Bit 1 – ENA/STB: Enable / Standby Mode**

Because this bit is a command and is not immediately effective, the ENFG bit in CANGSTA register gives the true state of the chosen mode.

- 0 - standby mode: The on-going transmission (if exists) is normally terminated and the CAN channel is frozen (the CONMOB bits of every MOB do not change). The transmitter constantly provides a recessive level. In this mode, the receiver is not enabled but all the registers and mailbox remain accessible from CPU. In this mode, the receiver is not enabled but all the registers and mailbox remain accessible from CPU.

Note: A standby mode applied during a reception may corrupt the on-going reception or set the controller in a wrong state. The controller will restart correctly from this state if a software reset (SWRES) is applied. If no reset is considered, a possible solution is to wait for a lake of a receiver busy (RXBSY) before to enter in stand-by mode. The best solution is first to apply an abort request command (ABRQ) and then wait for the lake of the receiver busy (RXBSY) before to enter in stand-by mode. In any cases, this standby mode behavior has no effect on the CAN bus integrity.

- 1 - enable mode: The CAN channel enters in enable mode once 11 recessive bits has been read.

- **Bit 0 – SWRES: Software Reset Request**

This auto resettable bit only resets the CAN controller.

- 0 - no reset
- 1 - reset: this reset is “ORed” with the hardware reset.

16.10.2 CAN General Status Register - CANGSTA

Bit	7	6	5	4	3	2	1	0	
	-	OVRG	-	TXBSY	RXBSY	ENFG	BOFF	ERRP	CANGSTA
Read/Write	-	R	-	R	R	R	R	R	
Initial Value	-	0	-	0	0	0	0	0	

- **Bit 7 – Reserved Bit**

This bit is reserved for future use.

- **Bit 6 – OVRG: Overload Frame Flag**

This flag does not generate an interrupt.

- 0 - no overload frame.
- 1 - overload frame: set by hardware as long as the produced overload frame is sent.

- **Bit 5 – Reserved Bit**

This bit is reserved for future use.

- **Bit 4 – TXBSY: Transmitter Busy**

This flag does not generate an interrupt.

- 0 - transmitter not busy.
- 1 - transmitter busy: set by hardware as long as a frame (data, remote, overload or error frame) or an ACK field is sent. Also set when an inter frame space is sent.

- **Bit 3 – RXBSY: Receiver Busy**

This flag does not generate an interrupt.

- 0 - receiver not busy
- 1 - receiver busy: set by hardware as long as a frame is received or monitored.

- **Bit 2 – ENFG: Enable Flag**

This flag does not generate an interrupt.

- 0 - CAN controller disable: because an enable/standby command is not immediately effective, this status gives the true state of the chosen mode.
- 1 - CAN controller enable.

- **Bit 1 – BOFF: Bus Off Mode**

BOFF gives the information of the state of the CAN channel. Only entering in bus off mode generates the BOFFIT interrupt.

- 0 - no bus off mode.
- 1 - bus off mode.

- **Bit 0 – ERRP: Error Passive Mode**

ERRP gives the information of the state of the CAN channel. This flag does not generate an interrupt.

- 0 - no error passive mode.
- 1 - error passive mode.

16.10.3 CAN General Interrupt Register - CANGIT

Bit	7	6	5	4	3	2	1	0	
	CANIT	BOFFIT	OVRTIM	BXOK	SERG	CERG	FERG	AERG	CANGIT
Read/Write	R	R/W	R/W	R/W	R/W	R/W	R/W	R/W	
Initial Value	0	0	0	0	0	0	0	0	

- **Bit 7 – CANIT: General Interrupt Flag**

This is a read only bit.

- 0 - no interrupt.
- 1 - CAN interrupt: image of all the CAN controller interrupts except for OVRTIM interrupt. This bit can be used for polling method.

- **Bit 6 – BOFFIT: Bus Off Interrupt Flag**

Writing a logical one resets this interrupt flag. BOFFIT flag is only set when the CAN enters in bus off mode (coming from error passive mode).

- 0 - no interrupt.
- 1 - bus off interrupt when the CAN enters in bus off mode.

- **Bit 5 – OVRTIM: Overrun CAN Timer**

Writing a logical one resets this interrupt flag. Entering in CAN timer overrun interrupt handler also reset this interrupt flag

- 0 - no interrupt.
- 1 - CAN timer overrun interrupt: set when the CAN timer switches from 0xFFFF to 0.

- **Bit 4 – BXOK: Frame Buffer Receive Interrupt**

Writing a logical one resets this interrupt flag. BXOK flag can be cleared only if all CONMOB fields of the MOB's of the buffer have been re-written before.

- 0 - no interrupt.
- 1 - burst receive interrupt: set when the frame buffer receive is completed.

- **Bit 3 – SERG: Stuff Error General**

Writing a logical one resets this interrupt flag.

- 0 - no interrupt.
- 1 - stuff error interrupt: detection of more than 5 consecutive bits with the same polarity.

- **Bit 2 – CERG: CRC Error General**

Writing a logical one resets this interrupt flag.

- 0 - no interrupt.
- 1 - CRC error interrupt: the CRC check on destuffed message does not fit with the CRC field.

- **Bit 1 – FERG: Form Error General**

Writing a logical one resets this interrupt flag.

- 0 - no interrupt.
- 1 - form error interrupt: one or more violations of the fixed form in the CRC delimiter, acknowledgment delimiter or EOF.

- **Bit 0 – AERG: Acknowledgment Error General**

Writing a logical one resets this interrupt flag.

- 0 - no interrupt.
- 1 - acknowledgment error interrupt: no detection of the dominant bit in acknowledge slot.

16.10.4 CAN General Interrupt Enable Register - CANGIE

Bit	7	6	5	4	3	2	1	0	
	ENIT	ENBOFF	ENRX	ENTX	ENERR	ENBX	ENERG	ENOVRT	CANGIE
Read/Write	R/W	R/W	R/W	R/W	R/W	R/W	R/W	R/W	
Initial Value	0	0	0	0	0	0	0	0	

- **Bit 7 – ENIT: Enable all Interrupts** (Except for CAN Timer Overrun Interrupt)
 - 0 - interrupt disabled.
 - 1- CANIT interrupt enabled.
- **Bit 6 – ENBOFF: Enable Bus Off Interrupt**
 - 0 - interrupt disabled.
 - 1- bus off interrupt enabled.
- **Bit 5 – ENRX: Enable Receive Interrupt**
 - 0 - interrupt disabled.
 - 1- receive interrupt enabled.
- **Bit 4 – ENTX: Enable Transmit Interrupt**
 - 0 - interrupt disabled.
 - 1- transmit interrupt enabled.
- **Bit 3 – ENERR: Enable MOB Errors Interrupt**
 - 0 - interrupt disabled.
 - 1- MOB errors interrupt enabled.
- **Bit 2 – ENBX: Enable Frame Buffer Interrupt**
 - 0 - interrupt disabled.
 - 1- frame buffer interrupt enabled.
- **Bit 1 – ENERG: Enable General Errors Interrupt**
 - 0 - interrupt disabled.
 - 1- general errors interrupt enabled.
- **Bit 0 – ENOVRT: Enable CAN Timer Overrun Interrupt**
 - 0 - interrupt disabled.
 - 1- CAN timer interrupt overrun enabled.

16.10.5 CAN Enable MOB Registers - CANEN2 and CANEN1

Bit	7	6	5	4	3	2	1	0	
	-	-	ENMOB5	ENMOB4	ENMOB3	ENMOB2	ENMOB1	ENMOB0	CANEN2
	-	-	-	-	-	-	-	-	CANEN1
Bit	15	14	13	12	11	10	9	8	
Read/Write	R	R	R	R	R	R	R	R	
Initial Value	0	0	0	0	0	0	0	0	
Read/Write	R	R	R	R	R	R	R	R	
Initial Value	0	0	0	0	0	0	0	0	

- **Bits 5:0 - ENMOB5:0: Enable MOB**

This bit provides the availability of the MOB.

It is set to one when the MOB is enabled (i.e. CONMOB1:0 of CANCDMOB register).

Once TXOK or RXOK is set to one (TXOK for automatic reply), the corresponding ENMOB is reset. ENMOB is also set to zero configuring the MOB in disabled mode, applying abortion or standby mode.

- 0 - message object disabled: MOB available for a new transmission or reception.
- 1 - message object enabled: MOB in use.

- **Bit 15:6 – Reserved Bits**

These bits are reserved for future use.

16.10.6 CAN Enable Interrupt MOB Registers - CANIE2 and CANIE1

Bit	7	6	5	4	3	2	1	0	
	-	-	IEMOB5	IEMOB4	IEMOB3	IEMOB2	IEMOB1	IEMOB0	CANIE2
	-	-	-	-	-	-	-	-	CANIE1
Bit	15	14	13	12	11	10	9	8	
Read/Write	R/W	R/W	R/W	R/W	R/W	R/W	R/W	R/W	
Initial Value	0	0	0	0	0	0	0	0	
Read/Write	R	R/W	R/W	R/W	R/W	R/W	R/W	R/W	
Initial Value	0	0	0	0	0	0	0	0	

- **Bits 5:0 - IEMOB5:0: Interrupt Enable by MOB**

- 0 - interrupt disabled.
- 1 - MOB interrupt enabled

Note: Example: CANIE2 = 0000 1100_b: enable of interrupts on MOB 2 and 3.

- **Bit 15:6 – Reserved Bits**

These bits are reserved for future use. For compatibility with future devices, it must be written to zero when CANIE1 and CANIE2 are written.

16.10.7 CAN Status Interrupt MOB Registers - CANSIT2 and CANSIT1

Bit	7	6	5	4	3	2	1	0	
	-	-	SIT5	SIT4	SIT3	SIT2	SIT1	SIT0	CANSIT2
	-	-	-	-	-	-	-	-	CANSIT1
Bit	15	14	13	12	11	10	9	8	
Read/Write	R	R	R	R	R	R	R	R	
Initial Value	0	0	0	0	0	0	0	0	
Read/Write	R	R	R	R	R	R	R	R	
Initial Value	0	0	0	0	0	0	0	0	

- **Bits 5:0 - SIT5:0: Status of Interrupt by MOB**

- 0 - no interrupt.
- 1- MOB interrupt.

Note: Example: CANSIT2 = 0010 0001_b: MOB 0 and 5 interrupts.

- **Bit 15:6 – Reserved Bits**

These bits are reserved for future use.

16.10.8 CAN Bit Timing Register 1 - CANBT1

Bit	7	6	5	4	3	2	1	0	
	-	BRP5	BRP4	BRP3	BRP2	BRP1	BRP0	-	CANBT1
Read/Write	-	R/W	R/W	R/W	R/W	R/W	R/W	-	
Initial Value	-	0	0	0	0	0	0	-	

- **Bit 7– Reserved Bit**

This bit is reserved for future use. For compatibility with future devices, it must be written to zero when CANBT1 is written.

- **Bit 6:1 – BRP5:0: Baud Rate Prescaler**

The period of the CAN controller system clock T_{scl} is programmable and determines the individual bit timing.

$$T_{scl} = \frac{BRP[5:0] + 1}{clk_{IO} \text{ frequency}}$$

If 'BRP[5..0]=0', see [Section 16.4.3 “Baud Rate” on page 148](#) and [Section • “Bit 0 – SMP: Sample Point\(s\)” on page 164](#).

- **Bit 0 – Reserved Bit**

This bit is reserved for future use. For compatibility with future devices, it must be written to zero when CANBT1 is written.

16.10.9 CAN Bit Timing Register 2 - CANBT2

Bit	7	6	5	4	3	2	1	0	
	-	SJW1	SJW0	-	PRS2	PRS1	PRS0	-	CANBT2
Read/Write	-	R/W	R/W	-	R/W	R/W	R/W	-	
Initial Value	-	0	0	-	0	0	0	-	

- **Bit 7– Reserved Bit**

This bit is reserved for future use. For compatibility with future devices, it must be written to zero when CANBT2 is written.

- **Bit 6:5 – SJW1:0: Re-Synchronization Jump Width**

To compensate for phase shifts between clock oscillators of different bus controllers, the controller must re-synchronize on any relevant signal edge of the current transmission. The synchronization jump width defines the maximum number of clock cycles. A bit period may be shortened or lengthened by a re-synchronization.

$$T_{sjw} = T_{scl} \times (SJW[1:0] + 1)$$

- **Bit 4 – Reserved Bit**

This bit is reserved for future use. For compatibility with future devices, it must be written to zero when CANBT2 is written.

- **Bit 3:1 – PRS2:0: Propagation Time Segment**

This part of the bit time is used to compensate for the physical delay times within the network. It is twice the sum of the signal propagation time on the bus line, the input comparator delay and the output driver delay.

$$T_{prs} = T_{scl} \times (PRS[2:0] + 1)$$

- **Bit 0 – Reserved Bit**

This bit is reserved for future use. For compatibility with future devices, it must be written to zero when CANBT2 is written.

16.10.10 CAN Bit Timing Register 3 - CANBT3

Bit	7	6	5	4	3	2	1	0	
	-	PHS22	PHS21	PHS20	PHS12	PHS11	PHS10	SMP	CANBT3
Read/Write	-	R/W	R/W	R/W	R/W	R/W	R/W	R/W	
Initial Value	-	0	0	0	0	0	0	0	

- **Bit 7– Reserved Bit**

This bit is reserved for future use. For compatibility with future devices, it must be written to zero when CANBT3 is written.

- **Bit 6:4 – PHS22:0: Phase Segment 2**

This phase is used to compensate for phase edge errors. This segment may be shortened by the re-synchronization jump width. PHS2[2..0] shall be ≥ 1 and $\leq PHS1[2..0]$ (c.f. [Section 16.2.3 “CAN Bit Timing” on page 143](#) and [Section 16.4.3 “Baud Rate” on page 148](#)).

$$T_{phs2} = T_{scl} \times (PHS2[2:0] + 1)$$

- **Bit 3:1 – PHS12:0: Phase Segment 1**

This phase is used to compensate for phase edge errors. This segment may be lengthened by the re-synchronization jump width.

$$T_{phs1} = T_{scl} \times (PHS1[2:0] + 1)$$

- **Bit 0 – SMP: Sample Point(s)**

This option allows to filter possible noise on TxCAN input pin.

- 0 - the sampling will occur once at the user configured sampling point - **SP**.
- 1 - with three-point sampling configuration the first sampling will occur two $T_{clk_{IO}}$ clocks before the user configured sampling point - **SP**, again at one $T_{clk_{IO}}$ clock before **SP** and finally at **SP**. Then the bit level will be determined by a majority vote of the three samples.

‘SMP=1’ configuration is not compatible with ‘BRP[5:0]=0’ because $TQ = T_{clk_{IO}}$.
If BRP = 0, SMP must be cleared.

16.10.11 CAN Timer Control Register - CANTCON

Bit	7	6	5	4	3	2	1	0	
	TPRSC7	TPRSC6	TPRSC5	TPRSC4	TPRSC3	TPRSC2	TPRSC1	TPRSC0	CANTCON
Read/Write	R/W	R/W	R/W	R/W	R/W	R/W	R/W	R/W	
Initial Value	0	0	0	0	0	0	0	0	

- **Bit 7:0 – TPRSC7:0: CAN Timer Prescaler**

Prescaler for the CAN timer upper counter range 0 to 255. It provides the clock to the CAN timer if the CAN controller is enabled.

$$T_{clk_{CANTIM}} = T_{clk_{IO}} \times 8 \times (CANTCON [7:0] + 1)$$

16.10.12 CAN Timer Registers - CANTIML and CANTIMH

Bit	7	6	5	4	3	2	1	0	
	CANTIM7	CANTIM6	CANTIM5	CANTIM4	CANTIM3	CANTIM2	CANTIM1	CANTIM0	CANTIM L
	CANTIM1	CANTIM1	CANTIM1	CANTIM1	CANTIM1	CANTIM1	CANTIM1	CANTIM1	CANTIM H
Bit	15	14	13	12	11	10	9	8	
Read/Write	R	R	R	R	R	R	R	R	
Initial Value	0	0	0	0	0	0	0	0	

- **Bits 15:0 - CANTIM15:0: CAN Timer Count**

CAN timer counter range 0 to 65,535.

16.10.13 CAN TTC Timer Registers - CANTTCL and CANTTCH

Bit	7	6	5	4	3	2	1	0	
	TIMTTC7	TIMTTC6	TIMTTC5	TIMTTC4	TIMTTC3	TIMTTC2	TIMTTC1	TIMTTC0	CANTTCL
	TIMTTC1	TIMTTC1	TIMTTC1	TIMTTC1	TIMTTC1	TIMTTC1	TIMTTC1	TIMTTC1	CANTTCH
Bit	15	14	13	12	11	10	9	8	
Read/Write	R	R	R	R	R	R	R	R	
Initial Value	0	0	0	0	0	0	0	0	

- **Bits 15:0 - TIMTTC15:0: TTC Timer Count**

CAN TTC timer counter range 0 to 65,535.

16.10.14 CAN Transmit Error Counter Register - CANTEC

Bit	7	6	5	4	3	2	1	0	
	TEC7	TEC6	TEC5	TEC4	TEC3	TEC2	TEC1	TEC0	CANTEC
Read/Write	R	R	R	R	R	R	R	R	
Initial Value	0	0	0	0	0	0	0	0	

- **Bit 7:0 – TEC7:0: Transmit Error Count**

CAN transmit error counter range 0 to 255.

16.10.15 CAN Receive Error Counter Register - CANREC

Bit	7	6	5	4	3	2	1	0	
	REC7	REC6	REC5	REC4	REC3	REC2	REC1	REC0	CANREC
Read/Write	R	R	R	R	R	R	R	R	
Initial Value	0	0	0	0	0	0	0	0	

- **Bit 7:0 – REC7:0: Receive Error Count**

CAN receive error counter range 0 to 255.

16.10.16 CAN Highest Priority MOB Register - CANHPMOB

Bit	7	6	5	4	3	2	1	0	
	HPMOB3	HPMOB2	HPMOB1	HPMOB0	CGP3	CGP2	CGP1	CGP0	CANHPMOB
Read/Write	R	R	R	R	R/W	R/W	R/W	R/W	
Initial Value	1	1	1	1	0	0	0	0	

- **Bit 7:4 – HPMOB3:0: Highest Priority MOB Number**

MOB having the highest priority in CANSIT registers.

If CANSIT = 0 (no MOB), the return value is 0xF.

Note: Do not confuse “MOB priority” and “Message ID priority”- <Helv>See “Message Objects” on page 149.

- **Bit 3:0 – CGP3:0: CAN General Purpose Bits**

These bits can be pre-programmed to match with the wanted configuration of the CANPAGE register (i.e., $\overline{\text{AINC}}$ and $\overline{\text{INDX2:0}}$ setting).

16.10.17 CAN Page MOB Register - CANPAGE

Bit	7	6	5	4	3	2	1	0	
	MOBNB3	MOBNB2	MOBNB1	MOBNB0	AINC	INDX2	INDX1	INDX0	CANPAGE
Read/Write	R/W	R/W	R/W	R/W	R/W	R/W	R/W	R/W	
Initial Value	0	0	0	0	0	0	0	0	

- **Bit 7:4 – MOBNB3:0: MOB Number**

Selection of the MOB number, the available numbers are from 0 to 5.

Note: MOBNB3 always must be written to zero for compatibility with all AVR CAN devices.

- **Bit 3 – $\overline{\text{AINC}}$: Auto Increment of the FIFO CAN Data Buffer Index (Active Low)**

- 0 - auto increment of the index (default value).
- 1- no auto increment of the index.

- **Bit 2:0 – $\overline{\text{INDX2:0}}$: FIFO CAN Data Buffer Index**

Byte location of the CAN data byte into the FIFO for the defined MOB.

16.11 MOB Registers

The MOB registers has **no** initial (default) value after RESET.

16.11.1 CAN MOB Status Register - CANSTMOB

Bit	7	6	5	4	3	2	1	0	
	DLCW	TXOK	RXOK	BERR	SERR	CERR	FERR	AERR	CANSTMOB
Read/Write	R/W	R/W	R/W	R/W	R/W	R/W	R/W	R/W	
Initial Value	-	-	-	-	-	-	-	-	

- **Bit 7 – DLCW: Data Length Code Warning**

The incoming message does not have the DLC expected. Whatever the frame type, the DLC field of the CANCDMOB register is updated by the received DLC.

- **Bit 6 – TXOK: Transmit OK**

This flag can generate an interrupt. It must be cleared using a read-modify-write software routine on the whole CANSTMOB register.

The communication enabled by transmission is completed. TxOK rises at the end of EOF field. When the controller is ready to send a frame, if two or more message objects are enabled as producers, the lower MOB index (0 to 14) is supplied first.

- **Bit 5 – RXOK: Receive OK**

This flag can generate an interrupt. It must be cleared using a read-modify-write software routine on the whole CANSTMOB register.

The communication enabled by reception is completed. RxOK rises at the end of the 6th bit of EOF field. In case of two or more message object reception hits, the lower MOB index (0 to 14) is updated first.

- **Bit 4 – BERR: Bit Error (Only in Transmission)**

This flag can generate an interrupt. It must be cleared using a read-modify-write software routine on the whole CANSTMOB register.

The bit value monitored is different from the bit value sent.

Exceptions: the monitored recessive bit sent as a dominant bit during the arbitration field and the acknowledge slot detecting a dominant bit during the sending of an error frame.

- **Bit 3 – SERR: Stuff Error**

This flag can generate an interrupt. It must be cleared using a read-modify-write software routine on the whole CANSTMOB register.

Detection of more than five consecutive bits with the same polarity. This flag can generate an interrupt.

- **Bit 2 – CERR: CRC Error**

This flag can generate an interrupt. It must be cleared using a read-modify-write software routine on the whole CANSTMOB register.

The receiver performs a CRC check on every de-stuffed received message from the start of frame up to the data field. If this checking does not match with the de-stuffed CRC field, a CRC error is set.

- **Bit 1 – FERR: Form Error**

This flag can generate an interrupt. It must be cleared using a read-modify-write software routine on the whole CANSTMOB register.

The form error results from one or more violations of the fixed form in the following bit fields:

- CRC delimiter.
- Acknowledgment delimiter.
- EOF

- **Bit 0 – AERR: Acknowledgment Error**

This flag can generate an interrupt. It must be cleared using a read-modify-write software routine on the whole CANSTMOB register.

No detection of the dominant bit in the acknowledge slot.

16.11.2 CAN MOB Control and DLC Register - CANCDMOB

Bit	7	6	5	4	3	2	1	0			
	CONMOB 1		CONMOB 0		RPLV	IDE	DLC3	DLC2	DLC1	DLC0	CANCDMOB
Read/Write	R/W		R/W		R/W	R/W	R/W	R/W	R/W	R/W	
Initial Value	-		-		-	-	-	-	-	-	

- **Bit 7:6 – CONMOB1:0: Configuration of Message Object**

These bits set the communication to be performed (**no** initial value after RESET).

- 00 - disable.
- 01 - enable transmission.
- 10 - enable reception.
- 11 - enable frame buffer reception

These bits are **not** cleared once the communication is performed. The user must re-write the configuration to enable a new communication.

- This operation is necessary to be able to reset the BXOK flag.
- This operation also set the corresponding bit in the CANEN registers.

- **Bit 5 – RPLV: Reply Valid**

Used in the automatic reply mode after receiving a remote frame.

- 0 - reply not ready.
- 1 - reply ready and valid.

- **Bit 4 – IDE: Identifier Extension**

IDE bit of the remote or data frame to send.

This bit is updated with the corresponding value of the remote or data frame received.

- 0 - CAN standard rev 2.0 A (identifiers length = 11 bits).
- 1 - CAN standard rev 2.0 B (identifiers length = 29 bits).

- **Bit 3:0 – DLC3:0: Data Length Code**

Number of Bytes in the data field of the message.

DLC field of the remote or data frame to send. The range of DLC is from 0 up to 8. If DLC field >8 then effective DLC=8.

This field is updated with the corresponding value of the remote or data frame received. If the expected DLC differs from the incoming DLC, a DLC warning appears in the CANSTMOB register.

16.11.3 CAN Identifier Tag Registers - CANIDT1, CANIDT2, CANIDT3, and CANIDT4

V2.0 part A									
Bit	15/7	14/6	13/5	12/4	11/3	10/2	9/1	8/0	
	-	-	-	-	-	RTRTAG	-	RB0TAG	CANIDT4
	-	-	-	-	-	-	-	-	CANIDT3
	IDT2	IDT1	IDT0	-	-	-	-	-	CANIDT2
	IDT10	IDT9	IDT8	IDT7	IDT6	IDT5	IDT4	IDT3	CANIDT1
Bit	31/23	30/22	29/21	28/20	27/19	26/18	25/17	24/16	
Read/Write	R/W	R/W	R/W	R/W	R/W	R/W	R/W	R/W	
Initial Value	-	-	-	-	-	-	-	-	

V2.0 part B									
Bit	15/7	14/6	13/5	12/4	11/3	10/2	9/1	8/0	
	IDT4	IDT3	IDT2	IDT1	IDT0	RTRTAG	RB1TAG	RB0TAG	CANIDT4
	IDT12	IDT11	IDT10	IDT9	IDT8	IDT7	IDT6	IDT5	CANIDT3
	IDT20	IDT19	IDT18	IDT17	IDT16	IDT15	IDT14	IDT13	CANIDT2
	IDT28	IDT27	IDT26	IDT25	IDT24	IDT23	IDT22	IDT21	CANIDT1
Bit	31/23	30/22	29/21	28/20	27/19	26/18	25/17	24/16	
Read/Write	R/W	R/W	R/W	R/W	R/W	R/W	R/W	R/W	
Initial Value	-	-	-	-	-	-	-	-	

16.11.3.1 V2.0 part A

- **Bit 31:21 – IDT10:0: Identifier Tag**

Identifier field of the remote or data frame to send.

This field is updated with the corresponding value of the remote or data frame received.

- **Bit 20:3 – Reserved Bits**

These bits are reserved for future use. For compatibility with future devices, they must be written to zero when CANIDTn are written.

When a remote or data frame is received, these bits do not operate in the comparison but they are updated with un-predicted values.

- **Bit 2 – RTRTAG: Remote Transmission Request Tag**

RTR bit of the remote or data frame to send.

This tag is updated with the corresponding value of the remote or data frame received. In case of Automatic Reply mode, this bit is automatically reset before sending the response.

- **Bit 1 – Reserved Bit**

This bit is reserved for future use. For compatibility with future devices, it must be written to zero when CANIDTn are written.

When a remote or data frame is received, this bit does not operate in the comparison but it is updated with un-predicted values.

- **Bit 0 – RB0TAG: Reserved Bit 0 Tag**

RB0 bit of the remote or data frame to send.

This tag is updated with the corresponding value of the remote or data frame received.

16.11.3.2 V2.0 part B

- **Bit 31:3 – IDT28:0: Identifier Tag**

Identifier field of the remote or data frame to send.

This field is updated with the corresponding value of the remote or data frame received.

- **Bit 2 – RTRTAG: Remote Transmission Request Tag**

RTR bit of the remote or data frame to send.

This tag is updated with the corresponding value of the remote or data frame received. In case of Automatic Reply mode, this bit is automatically reset before sending the response.

- **Bit 1 – RB1TAG: Reserved Bit 1 Tag**

RB1 bit of the remote or data frame to send.

This tag is updated with the corresponding value of the remote or data frame received.

- **Bit 0 – RB0TAG: Reserved Bit 0 Tag**

RB0 bit of the remote or data frame to send.

This tag is updated with the corresponding value of the remote or data frame received.

16.11.4 CAN Identifier Mask Registers - CANIDM1, CANIDM2, CANIDM3, and CANIDM4

V2.0 part A									
Bit	15/7	14/6	13/5	12/4	11/3	10/2	9/1	8/0	
	-	-	-	-	-	RTRMSK	-	IDEMSK	CANIDM4
	-	-	-	-	-	-	-	-	CANIDM3
	IDMSK2	IDMSK1	IDMSK0	-	-	-	-	-	CANIDM2
	IDMSK10	IDMSK9	IDMSK8	IDMSK7	IDMSK6	IDMSK5	IDMSK4	IDMSK3	CANIDM1
Bit	31/23	30/22	29/21	28/20	27/19	26/18	25/17	24/16	
Read/Write	R/W	R/W	R/W	R/W	R/W	R/W	R/W	R/W	
Initial Value	-	-	-	-	-	-	-	-	

V2.0 part B									
Bit	15/7	14/6	13/5	12/4	11/3	10/2	9/1	8/0	
	IDMSK4	IDMSK3	IDMSK2	IDMSK1	IDMSK0	RTRMSK	-	IDEMSK	CANIDM4
	IDMSK12	IDMSK11	IDMSK10	IDMSK9	IDMSK8	IDMSK7	IDMSK6	IDMSK5	CANIDM3
	IDMSK20	IDMSK19	IDMSK18	IDMSK17	IDMSK16	IDMSK15	IDMSK14	IDMSK13	CANIDM2
	IDMSK28	IDMSK27	IDMSK26	IDMSK25	IDMSK24	IDMSK23	IDMSK22	IDMSK21	CANIDM1
Bit	31/23	30/22	29/21	28/20	27/19	26/18	25/17	24/16	
Read/Write	R/W	R/W	R/W	R/W	R/W	R/W	R/W	R/W	
Initial Value	-	-	-	-	-	-	-	-	

16.11.4.1 V2.0 part A

- **Bit 31:21 – IDMSK10:0: Identifier Mask**

- 0 - comparison true forced - see [Section 16.5.3 “Acceptance Filter” on page 151](#)
- 1 - bit comparison enabled - see [Section 16.5.3 “Acceptance Filter” on page 151](#)

- **Bit 20:3 – Reserved Bits**

These bits are reserved for future use. For compatibility with future devices, they must be written to zero when CANIDMn are written.

- **Bit 2 – RTRMSK: Remote Transmission Request Mask**

- 0 - comparison true forced
- 1 - bit comparison enabled.

- **Bit 1 – Reserved Bit**

This bit is reserved for future use. For compatibility with future devices, it must be written to zero when CANIDTn are written.

- **Bit 0 – IDEMSK: Identifier Extension Mask**

- 0 - comparison true forced
- 1 - bit comparison enabled.

16.11.4.2 V2.0 part B

- **Bit 31:3 – IDMSK28:0: Identifier Mask**

- 0 - comparison true forced - see [Section 16.5.3 “Acceptance Filter” on page 151](#)
- 1 - bit comparison enabled. - see [Section 16.5.3 “Acceptance Filter” on page 151](#)

- **Bit 2 – RTRMSK: Remote Transmission Request Mask**

- 0 - comparison true forced
- 1 - bit comparison enabled.

- **Bit 1 – Reserved Bit**

Writing zero in this bit is recommended.

- **Bit 0 – IDEMSK: Identifier Extension Mask**

- 0 - comparison true forced
- 1 - bit comparison enabled.

16.11.5 CAN Time Stamp Registers - CANSTML and CANSTMH

Bit	7	6	5	4	3	2	1	0	
	TIMSTM7	TIMSTM6	TIMSTM5	TIMSTM4	TIMSTM3	TIMSTM2	TIMSTM1	TIMSTM0	CANSTML
	TIMSTM1	TIMSTM14	TIMSTM1	TIMSTM12	TIMSTM1	TIMSTM1	TIMSTM9	TIMSTM8	CANSTMH
	5		3		1	0			
Bit	15	14	13	12	11	10	9	8	
Read/Write	R	R	R	R	R	R	R	R	
Initial Value	-	-	-	-	-	-	-	-	

- **Bits 15:0 - TIMSTM15:0: Time Stamp Count**

CAN time stamp counter range 0 to 65,535.

16.11.6 CAN Data Message Register - CANMSG

Bit	7	6	5	4	3	2	1	0	
	MSG 7	MSG 6	MSG 5	MSG 4	MSG 3	MSG 2	MSG 1	MSG 0	CANMSG
Read/Write	R/W	R/W	R/W	R/W	R/W	R/W	R/W	R/W	
Initial Value	-	-	-	-	-	-	-	-	

- **Bit 7:0 – MSG7:0: Message Data**

This register contains the CAN data byte pointed at the page MOB register.

After writing in the page MOB register, this byte is equal to the specified message location of the pre-defined identifier + index. If auto-incrementation is used, at the end of the data register writing or reading cycle, the index is auto-incremented. The range of the counting is 8 with no end of loop (0, 1,..., 7, 0,...).

16.12 Examples of CAN Baud Rate Setting

The CAN bus requires very accurate timing especially for high baud rates. It is recommended to use only an external crystal for CAN operations.

(Refer to [Section 16.4.2 “Bit Timing” on page 147](#) and [Section 16.4.3 “Baud Rate” on page 148](#) for timing description and [Section 16.10.8 “CAN Bit Timing Register 1 - CANBT1” on page 163](#) to [Section 16.10.10 “CAN Bit Timing Register 3 - CANBT3” on page 164](#) for “CAN Bit Timing Registers”).

Table 16-2. Examples of CAN Baud Rate Settings for Commonly Frequencies

fCLK _{IO} (MHz)	CAN Rate (Kbps)	Description			Segments				Registers			
		Sampling Point	TQ (μs)	Tbit (TQ)	Tprs (TQ)	Tph1 (TQ)	Tph2 (TQ)	Tsjw (TQ)	CANBT1	CANBT2	CANBT3	
16.000	1000	69% ⁽¹⁾	0.0625	16	7	4	4	1	0x00	0x0C	0x36 ⁽²⁾	
		75%	0.125	8	3	2	2	1	0x02	0x04	0x13	
	500	75%	0.125	16	7	4	4	1	0x02	0x0C	0x37	
			0.250	8	3	2	2	1	0x06	0x04	0x13	
	250	75%	0.250	16	7	4	4	1	0x06	0x0C	0x37	
			0.500	8	3	2	2	1	0x0E	0x04	0x13	
	200	75%	0.3125	16	7	4	4	1	0x08	0x0C	0x37	
			0.625	8	3	2	2	1	0x12	0x04	0x13	
	125	75%	0.500	16	7	4	4	1	0x0E	0x0C	0x37	
			1.000	8	3	2	2	1	0x1E	0x04	0x13	
	100	75%	0.625	16	7	4	4	1	0x12	0x0C	0x37	
			1.250	8	3	2	2	1	0x26	0x04	0x13	
	12.000	1000	67% ⁽¹⁾	0.083333	12	5	3	3	1	0x00	0x08	0x24 ⁽²⁾
				x	- - - no data - - -							
500		75%	0.166666	12	5	3	3	1	0x02	0x08	0x25	
			0.250	8	3	2	2	1	0x04	0x04	0x13	
250		75%	0.250	16	7	4	4	1	0x04	0x0C	0x37	
			0.500	8	3	2	2	1	0x0A	0x04	0x13	
200		75%	0.250	20	8	6	5	1	0x04	0x0E	0x4B	
			0.416666	12	5	3	3	1	0x08	0x08	0x25	
125		75%	0.500	16	7	4	4	1	0x0A	0x0C	0x37	
			1.000	8	3	2	2	1	0x16	0x04	0x13	
100		75%	0.500	20	8	6	5	1	0x0A	0x0E	0x4B	
			0.833333	12	5	3	3	1	0x12	0x08	0x25	

- Notes:
1. See [Section 16.4.3 “Baud Rate” on page 148](#).
 2. See [Section • “Bit 0 – SMP: Sample Point\(s\)” on page 164](#)

Table 16-2. Examples of CAN Baud Rate Settings for Commonly Frequencies (Continued)

fCLK _{IO} (MHz)	CAN Rate (Kbps)	Description			Segments					Registers		
		Sampling Point	TQ (μs)	Tbit (TQ)	Tprs (TQ)	Tph1 (TQ)	Tph2 (TQ)	Tsjw (TQ)	CANBT1	CANBT2	CANBT3	
8.000	1000	63% ⁽¹⁾		x	- - - no data - - -							
			0.125	8	3	2	2	1	0x00	0x04	0x12 ⁽²⁾	
	500	69% ⁽¹⁾	0.125	16	7	4	4	1	0x00	0x0C	0x36 ⁽²⁾	
			75%	0.250	8	3	2	2	1	0x02	0x04	0x13
	250	75%	0.250	16	7	4	4	1	0x02	0x0C	0x37	
			0.500	8	3	2	2	1	0x06	0x04	0x13	
	200	75%	0.250	20	8	6	5	1	0x02	0x0E	0x4B	
			0.625	8	3	2	2	1	0x08	0x04	0x13	
	125	75%	0.500	16	7	4	4	1	0x06	0x0C	0x37	
			1.000	8	3	2	2	1	0x0E	0x04	0x13	
	100	75%	0.625	16	7	4	4	1	0x08	0x0C	0x37	
			1.250	8	3	2	2	1	0x12	0x04	0x13	
6.000	1000	- - - not applicable - - -										
	500	67% ⁽¹⁾	0.166666	12	5	3	3	1	0x00	0x08	0x24 ⁽²⁾	
				x	- - - no data - - -							
	250	75%	0.333333	12	5	3	3	1	0x02	0x08	0x25	
			0.500	8	3	2	2	1	0x04	0x04	0x13	
	200	80%	0.333333	15	7	4	3	1	0x02	0x0C	0x35	
			0.500	10	4	3	2	1	0x04	0x06	0x23	
	125	75%	0.500	16	7	4	4	1	0x04	0x0C	0x37	
			1.000	8	3	2	2	1	0x0A	0x04	0x13	
	100	75%	0.500	20	8	6	5	1	0x04	0x0E	0x4B	
			0.833333	12	5	3	3	1	0x08	0x08	0x25	
	4.000	1000	- - - not applicable - - -									
500		63% ⁽¹⁾		x	- - - no data - - -							
			0.250	8	3	2	2	1	0x00	0x04	0x12 ⁽²⁾	
250		69% ⁽¹⁾	0.250	16	7	4	4	1	0x00	0x0C	0x36 ⁽²⁾	
			75%	0.500	8	3	2	2	1	0x02	0x04	0x13
200		70% ⁽¹⁾	0.250	20	8	6	5	1	0x00	0x0E	0x4A ⁽²⁾	
				x	- - - no data - - -							
125		75%	0.500	16	7	4	4	1	0x02	0x0C	0x37	
			1.000	8	3	2	2	1	0x06	0x04	0x13	
100		75%	0.500	20	8	6	5	1	0x02	0x0E	0x4B	
			1.250	8	3	2	2	1	0x08	0x04	0x13	

Notes: 1. See Section 16.4.3 “Baud Rate” on page 148.
 2. See Section • “Bit 0 – SMP: Sample Point(s)” on page 164

17. LIN / UART - Local Interconnect Network Controller or UART

The LIN (Local Interconnect Network) is a serial communications protocol which efficiently supports the control of mechatronics nodes in distributed automotive applications. The main properties of the LIN bus are:

- Single master with multiple slaves concept
- Low cost silicon implementation based on common UART/SCI interface
- Self synchronization in slave node
- Deterministic signal transmission with signal propagation time computable in advance
- Low cost single-wire implementation
- Speed up to 20Kbit/s.

LIN provides a cost efficient bus communication where the bandwidth and versatility of CAN are not required. The specification of the line driver/receiver needs to match the ISO9141 NRZ-standard.

If LIN is not required, the controller alternatively can be programmed as universal asynchronous serial receiver and transmitter (UART).

17.1 LIN Features

- Hardware implementation of LIN 2.1 (LIN 1.3 compatibility)
- Small, CPU efficient and independent master/slave routines based on “LIN Work Flow Concept” of LIN 2.1 specification
- Automatic LIN header handling and filtering of irrelevant LIN frames
- Automatic LIN response handling
- Extended LIN error detection and signaling
- Hardware frame time-out detection
- “Break-in-data” support capability
- Automatic re-synchronization to ensure proper frame integrity
- Fully flexible extended frames support capabilities

17.2 UART Features

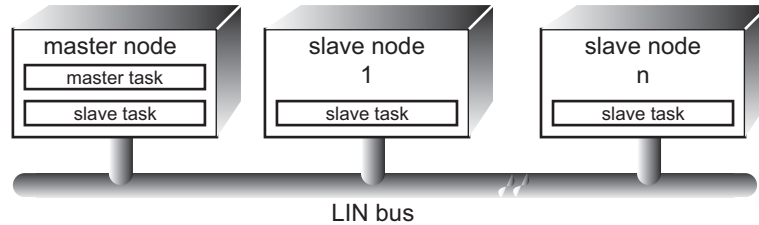
- Full duplex operation (independent serial receive and transmit processes)
- Asynchronous operation
- High resolution baud rate generator
- Hardware support of 8 data bits, odd/even/no parity bit, 1 stop bit frames
- Data over-run and framing error detection

17.3 LIN Protocol

17.3.1 Master and Slave

A LIN cluster consists of one master task and several slave tasks. A master node contains the master task as well as a slave task. All other nodes contain a slave task only.

Figure 17-1. LIN Cluster with One Master Node and “n” Slave Nodes



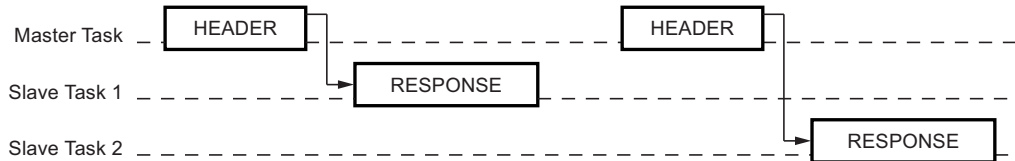
The master task decides when and which frame shall be transferred on the bus. The slave tasks provide the data transported by each frame. Both the master task and the slave task are parts of the Frame handler

17.3.2 Frames

A frame consists of a header (provided by the master task) and a response (provided by a slave task).

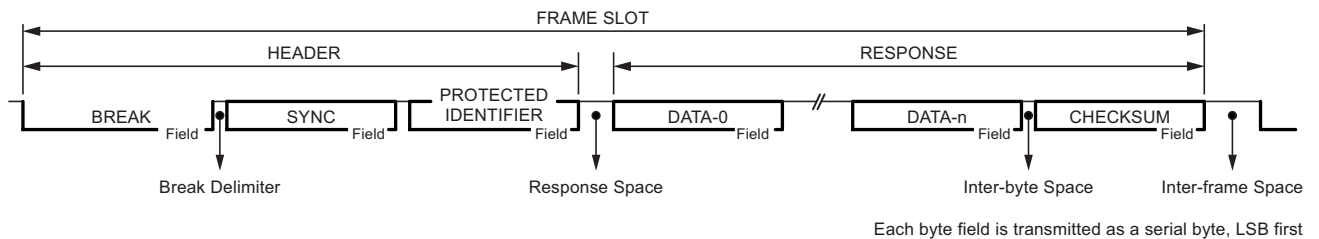
The header consists of a BREAK and SYNC pattern followed by a PROTECTED IDENTIFIER. The identifier uniquely defines the purpose of the frame. The slave task appointed for providing the response associated with the identifier transmits it. The response consists of a DATA field and a CHECKSUM field.

Figure 17-2. Master and Slave Tasks Behavior in LIN Frame



The slave tasks waiting for the data associated with the identifier receives the response and uses the data transported after verifying the checksum.

Figure 17-3. Structure of a LIN Frame



17.3.3 Data Transport

Two types of data may be transported in a frame; signals or diagnostic messages.

- Signals
Signals are scalar values or byte arrays that are packed into the data field of a frame. A signal is always present at the same position in the data field for all frames with the same identifier.
- Diagnostic messages
Diagnostic messages are transported in frames with two reserved identifiers. The interpretation of the data field depends on the data field itself as well as the state of the communicating nodes.

17.3.4 Schedule Table

The master task (in the master node) transmits frame headers based on a schedule table. The schedule table specifies the identifiers for each header and the interval between the start of a frame and the start of the following frame. The master application may use different schedule tables and select among them.

17.3.5 Compatibility with LIN 1.3

LIN 2.1 is a super-set of LIN 1.3.

A LIN 2.1 master node can handle clusters consisting of both LIN 1.3 slaves and/or LIN 2.1 slaves. The master will then avoid requesting the new LIN 2.1 features from a LIN 1.3 slave:

- Enhanced checksum,
- Re-configuration and diagnostics,
- Automatic baud rate detection,
- “Response error” status monitoring.

LIN 2.1 slave nodes can not operate with a LIN 1.3 master node (e.g. the LIN1.3 master does not support the enhanced checksum).

The LIN 2.1 physical layer is backwards compatible with the LIN1.3 physical layer. But not the other way around. The LIN 2.1 physical layer sets greater requirements, i.e. a master node using the LIN 2.1 physical layer can operate in a LIN 1.3 cluster.

17.4 LIN / UART Controller

The LIN/UART controller is divided in three main functions:

- Tx LIN header function,
- Rx LIN header function,
- LIN response function.

These functions mainly use two services:

- Rx service,
- Tx service.

Because these two services are basically UART services, the controller is also able to switch into an UART function.

17.4.1 LIN Overview

The LIN/UART controller is designed to match as closely as possible to the LIN software application structure. The LIN software application is developed as independent tasks, several slave tasks and one master task (c.f. [Section 17.3.4 "Schedule Table" on page 176](#)). The ATmega16/32/64/M1/C1 conforms to this perspective. The only link between the master task and the slave task will be at the cross-over point where the interrupt routine is called once a new identifier is available. Thus, in a master node, housing both master and slave task, the Tx LIN Header function will alert the slave task of an identifier presence. In the same way, in a slave node, the Rx LIN Header function will alert the slave task of an identifier presence.

When the slave task is warned of an identifier presence, it has first to analyze it to know what to do with the response. Hardware flags identify the presence of one of the specific identifiers from 60 (0x3C) up to 63 (0x3F).

For LIN communication, only four interrupts need to be managed:

- LIDOK: New LIN identifier available,
- LRXOK: LIN response received,
- LTXOK: LIN response transmitted,
- LERR: LIN Error(s).

The wake-up management can be automated using the UART wake-up capability and a node sending a minimum of 5 low bits (0xF0) for LIN 2.1 and 8 low bits (0x80) for LIN 1.3. Pin change interrupt on LIN wake-up signal can be also used to exit the device of one of its sleep modes.

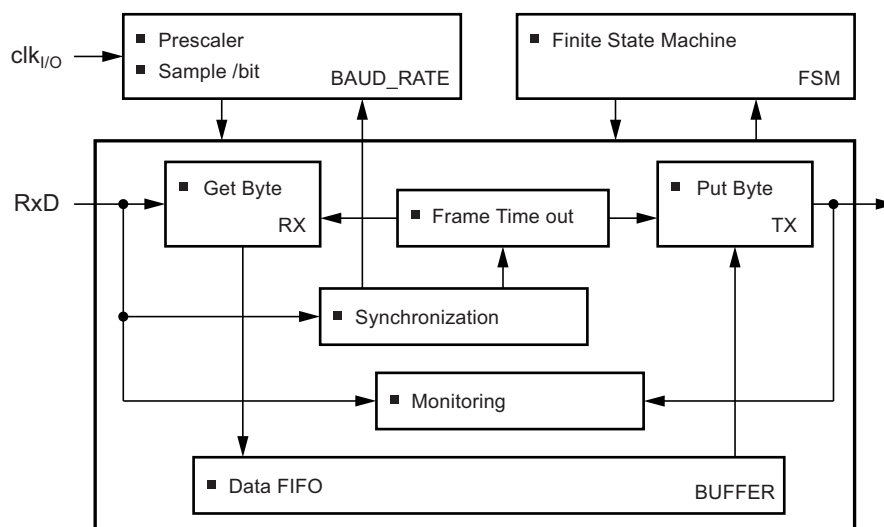
Extended frame identifiers 62 (0x3E) and 63 (0x3F) are reserved to allow the embedding of user-defined message formats and future LIN formats. The byte transfer mode offered by the UART will ensure the upwards compatibility of LIN slaves with accommodation of the LIN protocol.

17.4.2 UART Overview

The LIN/UART controller can also function as a conventional UART. By default, the UART operates as a full duplex controller. It has local loop back circuitry for test purposes. The UART has the ability to buffer one character for transmit and two for receive. The receive buffer is made of one 8-bit serial register followed by one 8-bit independent buffer register. Automatic flag management is implemented when the application puts or gets characters, thus reducing the software overhead. Because transmit and receive services are independent, the user can save one device pin when one of the two services is not used. The UART has an enhanced baud rate generator providing a maximum error of 2% whatever the clock frequency and the targeted baud rate.

17.4.3 LIN/UART Controller Structure

Figure 17-4. LIN/UART Controller Block Diagram



17.4.4 LIN/UART Command Overview

Figure 17-5. LIN/UART Command Dependencies

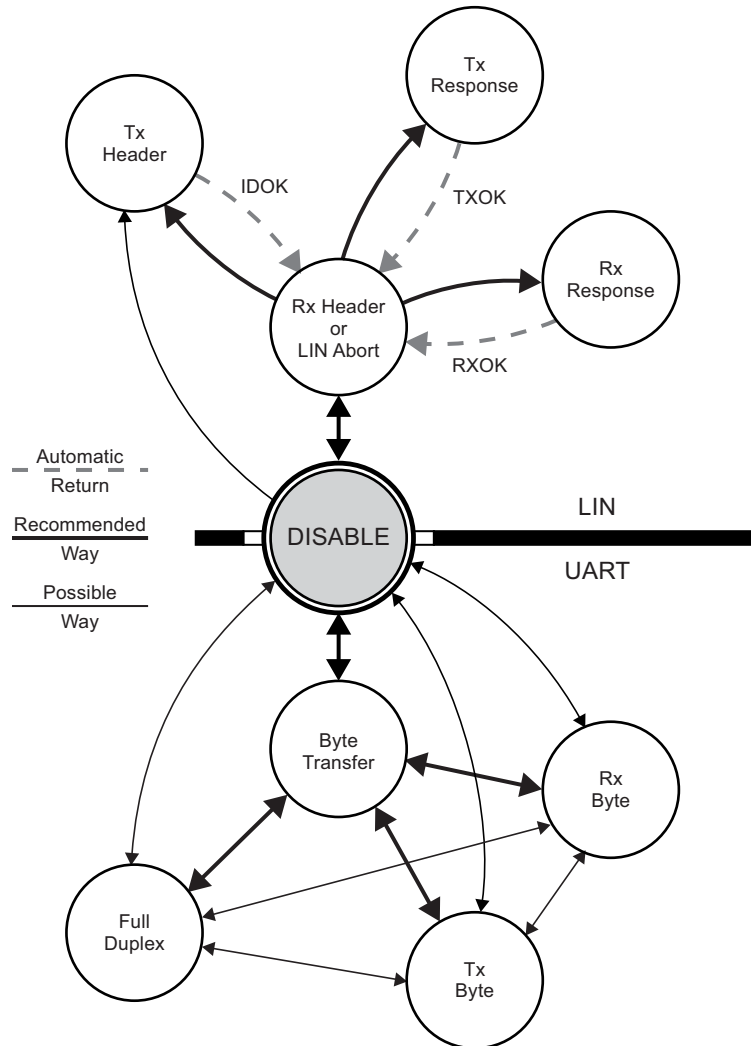


Table 17-1. LIN/UART Command List

LENA	LCMD[2]	LCMD[1]	LCMD[0]	Command	Comment
0	x	x	x	Disable peripheral	
1	0	0	0	Rx Header - LIN abort	LIN withdrawal
			1	Tx Header	LCMD[2..0]=000 after Tx
		1	0	Rx response	LCMD[2..0]=000 after Rx
			1	Tx response	LCMD[2..0]=000 after Tx
	1	0	0	Byte transfer	no CRC, no time out LTXDL=LRXDL=0 (LINDLR: read only register)
		1	0	Rx Byte	
		0	1	Tx Byte	
1	1	1	Full duplex		

17.4.5 Enable / Disable

Setting the LENA bit in LINCR register enables the LIN/UART controller. To disable the LIN/UART controller, LENA bit must be written to 0. No wait states are implemented, so, the disable command is taken into account immediately.

17.4.6 LIN Commands

Clearing the LCMD[2] bit in LINCR register enables LIN commands.

As shown in [Table 17-1 on page 178](#), four functions controlled by the LCMD[1..0] bits of LINCR register are available (c.f. [Figure 17-5 on page 178](#)).

17.4.6.1 Rx Header / LIN Abort Function

This function (or state) is mainly the withdrawal mode of the controller.

When the controller has to execute a master task, this state is the start point before enabling a Tx header command.

When the controller has only to execute slave tasks, LIN header detection/acquisition is enabled as background function. At the end of such an acquisition (Rx header function), automatically the appropriate flags are set, and in LIN 1.3, the LINDLR register is set with the uncoded length value.

This state is also the start point before enabling the Tx or the Rx response command.

A running function (i.e. Tx header, Tx or Rx response) can be aborted by clearing LCMD[1..0] bits in LINCR register. In this case, an abort flag - LABORT - in LINERR register will be set to inform the other software tasks. No wait states are implemented, so, the abort command is taken into account immediately.

Rx Header function is responsible for:

- The BREAK field detection,
- The hardware re-synchronization analyzing the SYNCH field,
- The reception of the PROTECTED IDENTIFIER field, the parity control and the update of the LINDLR register in case of LIN 1.3,
- The starting of the Frame_Time_Out,
- The checking of the LIN communication integrity.

17.4.6.2 Tx Header Function

In accordance with the LIN protocol, only the master task must enable this function. The header is sent in the appropriate timed slots at the programmed baud rate (c.f. LINBRR and LINBTR registers).

The controller is responsible for:

- The transmission of the BREAK field - 13 dominant bits,
- The transmission of the SYNCH field - character 0x55,
- The transmission of the PROTECTED IDENTIFIER field. It is the full content of the LINIDR register (automatic check bits included).

At the end of this transmission, the controller automatically returns to *Rx Header / LIN Abort* state (i.e. LCMD[1..0] = 00) after setting the appropriate flags. This function leaves the controller in the same setting as after the *Rx Header* function. This means that, in LIN 1.3, the LINDLR register is set with the uncoded length value at the end of the *Tx Header* function.

During this function, the controller is also responsible for:

- The starting of the Frame_Time_Out,
- The checking of the LIN communication integrity.

17.4.6.3 Rx and TX Response Functions

These functions are initiated by the slave task of a LIN node. They must be used after sending an header (master task) or after receiving an header (considered as belonging to the slave task). When the TX response order is sent, the transmission begins. A Rx response order can be sent up to the reception of the last serial bit of the first byte (before the stop-bit).

In LIN 1.3, the header slot configures the LINDLR register. In LIN 2.1, the user must configure the LINDLR register, either LRXDL[3..0] for *Rx Response* either LTXDL[3..0] for *Tx Response*.

When the command starts, the controller checks the LIN13 bit of the LINCR register to apply the right rule for computing the checksum. Checksum calculation over the DATA bytes and the PROTECTED IDENTIFIER byte is called enhanced checksum and it is used for communication with LIN 2.1 slaves. Checksum calculation over the DATA bytes only is called classic checksum and it is used for communication with LIN 1.3 slaves. Note that identifiers 60 (0x3C) to 63 (0x3F) shall always use classic checksum.

At the end of this reception or transmission, the controller automatically returns to *Rx Header / LIN Abort* state (i.e. LCMD[1..0] = 00) after setting the appropriate flags.

If an LIN error occurs, the reception or the transmission is stopped, the appropriate flags are set and the LIN bus is left to recessive state.

During these functions, the controller is responsible for:

- The initialization of the checksum operator,
- The transmission or the reception of 'n' data with the update of the checksum calculation,
- The transmission or the checking of the CHECKSUM field,
- The checking of the Frame_Time_Out,
- The checking of the LIN communication integrity.

While the controller is sending or receiving a response, BREAK and SYNCH fields can be detected and the identifier of this new header will be recorded. Of course, specific errors on the previous response will be maintained with this identifier reception.

17.4.6.4 Handling Data of LIN response

A FIFO data buffer is used for data of the LIN response. After setting all parameters in the LINSEL register, repeated accesses to the LINDAT register perform data read or data write (c.f. [Section 17.5.15 "Data Management" on page 189](#)).

Note that LRXDL[3..0] and LTXDL[3..0] are not linked to the data access.

17.4.7 UART Commands

Setting the LCMD[2] bit in LINENR register enables UART commands.

Tx Byte and Rx Byte services are independent as shown in [Table 17-1 on page 178](#).

- Byte transfer: the UART is selected but both Rx and Tx services are disabled,
- Rx Byte: only the Rx service is enable but Tx service is disabled,
- Tx Byte: only the Tx service is enable but Rx service is disabled,
- Full duplex: the UART is selected and both Rx and Tx services are enabled.

This combination of services is controlled by the LCMD[1..0] bits of LINENR register (c.f. [Figure 17-5 on page 178](#)).

17.4.7.1 Data Handling

The FIFO used for LIN communication is disabled during UART accesses. LRXDL[3..0] and LTXDL[3..0] values of LINDLR register are then irrelevant. LINDAT register is then used as data register and LINSEL register is not relevant.

17.4.7.2 Rx Service

Once this service is enabled, the user is warned of an in-coming character by the LRXOK flag of LINSIR register. Reading LINDAT register automatically clears the flag and makes free the second stage of the buffer. If the user considers that the in-coming character is irrelevant without reading it, he directly can clear the flag (see specific flag management described in [Section 17.6.2 "LIN Status and Interrupt Register - LINSIR" on page 192](#)). The intrinsic structure of the Rx service offers a 2-byte buffer. The first one is used for serial to parallel conversion, the second one receives the result of the conversion. This second buffer byte is reached reading LINDAT register. If the 2-byte buffer is full, a new in-coming character will overwrite the second one already recorded. An OVRERR error in LINERR register will then accompany this character when read. A FERR error in LINERR register will be set in case of framing error.

17.4.7.3 Tx Service

If this service is enabled, the user sends a character by writing in LINDAT register. Automatically the LTXOK flag of LINSIR register is cleared. It will rise at the end of the serial transmission. If no new character has to be sent, LTXOK flag can be cleared separately (see specific flag management described in [Section 17.6.2 “LIN Status and Interrupt Register - LINSIR” on page 192](#)).

There is no transmit buffering. No error is detected by this service.

17.5 LIN / UART Description

17.5.1 Reset

The AVR® core reset logic signal also resets the LIN/UART controller. Another form of reset exists, a software reset controlled by LSWRES bit in LINCR register. This self-reset bit performs a partial reset as shown in [Table 17-2](#).

Table 17-2. Reset of LIN/UART Registers

Register	Name	Reset Value	LSWRES Value	Comment
LIN control register	LINCR	0000 0000 _b	0000 0000 _b	x=unknown u=unchanged
LIN status and interrupt register	LINSIR	0000 0000 _b	0000 0000 _b	
LIN enable interrupt register	LINENIR	0000 0000 _b	xxxx 0000 _b	
LIN error register	LINERR	0000 0000 _b	0000 0000 _b	
LIN bit timing register	LINBTR	0010 0000 _b	0010 0000 _b	
LIN baud rate register low	LINBRRL	0000 0000 _b	uuuu uuuu _b	
LIN baud rate register high	LINBRRH	0000 0000 _b	xxxx uuuu _b	
LIN data length register	LINDLR	0000 0000 _b	0000 0000 _b	
LIN identifier register	LINIDR	1000 0000 _b	1000 0000 _b	
LIN data buffer selection	LINSEL	0000 0000 _b	xxxx 0000 _b	
LIN data	LINDAT	0000 0000 _b	0000 0000 _b	

17.5.2 Clock

The I/O clock signal (clk_{I/O}) also clocks the LIN/UART controller. It is its unique clock.

17.5.3 LIN Protocol Selection

LIN13 bit in LINCR register is used to select the LIN protocol:

- LIN13 = 0 (default): LIN 2.1 protocol,
- LIN13 = 1: LIN 1.3 protocol.

The controller checks the LIN13 bit in computing the checksum (enhanced checksum in LIN2.1 / classic checksum in LIN 1.3). See [Section 17.4.6.3 “Rx and TX Response Functions” on page 180](#).

This bit is irrelevant for UART commands.

17.5.4 Configuration

Depending on the mode (LIN or UART), LCONF[1..0] bits of the LINC register set the controller in the following configuration (Table 17-3):

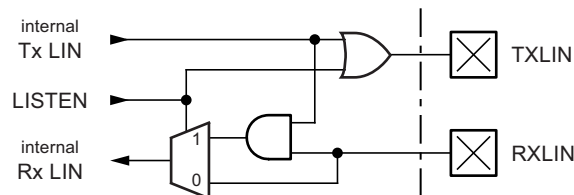
Table 17-3. Configuration Table versus Mode

Mode	LCONF[1..0]	Configuration
LIN	00 _b	LIN standard configuration (default)
	01 _b	No CRC field detection or transmission
	10 _b	Frame_Time_Out disable
	11 _b	Listening mode
UART	00 _b	8-bit data, no parity and 1 stop-bit
	01 _b	8-bit data, even parity and 1 stop-bit
	10 _b	8-bit data, odd parity and 1 stop-bit
	11 _b	Listening mode, 8-bit data, no parity and 1 stop-bit

The LIN configuration is independent of the programmed LIN protocol.

The listening mode connects the internal Tx LIN and the internal Rx LIN together. In this mode, the TXLIN output pin is disabled and the RXLIN input pin is always enabled. The same scheme is available in UART mode.

Figure 17-6. Listening Mode

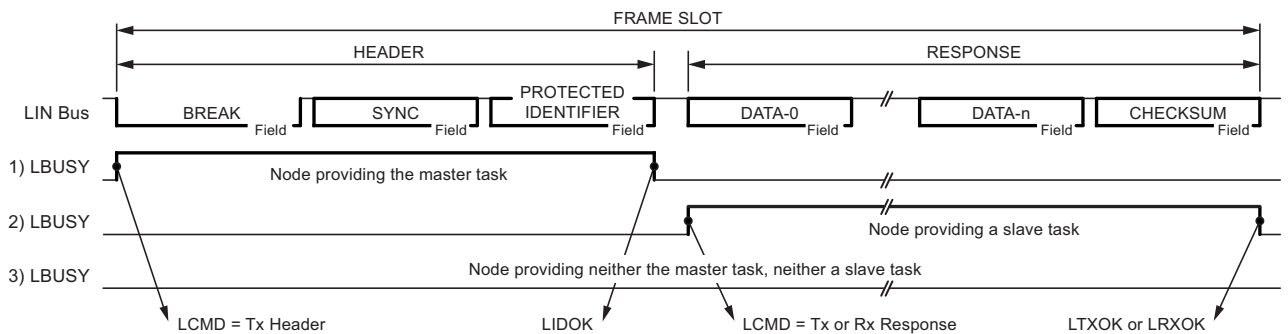


17.5.5 Busy Signal

LBUSY bit flag in LINSIR register is the image of the BUSY signal. It is set and cleared by hardware. It signals that the controller is busy with LIN or UART communication.

17.5.5.1 Busy Signal in LIN Mode

Figure 17-7. Busy Signal in LIN Mode



When the busy signal is set, some registers are locked, user writing is not allowed:

- “LIN Control Register” - LINCRCR - except LCMD[2..0], LENA and LSWRES,
- “LIN Baud Rate Registers” - LINBRRL and LINBRRH,
- “LIN Data Length Register” - LINDLR,
- “LIN Identifier Register” - LINIDR,
- “LIN Data Register” - LINDAT.

If the busy signal is set, the only available commands are:

- LCMD[1..0] = 00_b, the abort command is taken into account at the end of the byte,
- LENA = 0 and/or LCMD[2] = 0, the kill command is taken into account immediately,
- LSWRES = 1, the reset command is taken into account immediately.

Note that, if another command is entered during busy signal, the new command is not validated and the LOVRERR bit flag of the LINERR register is set. The on-going transfer is not interrupted.

17.5.5.2 Busy Signal in UART Mode

During the byte transmission, the busy signal is set. This locks some registers from being written:

- “LIN Control Register” - LINCRCR - except LCMD[2..0], LENA and LSWRES,
- “LIN Data Register” - LINDAT.

The busy signal is not generated during a byte reception.

17.5.6 Bit Timing

17.5.6.1 Baud rate Generator

The baud rate is defined to be the transfer rate in bits per second (bps):

- BAUD: Baud rate (in bps),
- $f_{clk_{i/o}}$: System I/O clock frequency,
- LDIV[11..0]: Contents of LINBRRH & LINBRRL registers - (0-4095), the pre-scaler receives $clk_{i/o}$ as input clock.
- LBT[5..0]: Least significant bits of - LINBTR register- (0-63) is the number of samplings in a LIN or UART bit (default value 32).

Equation for calculating baud rate:

$$BAUD = f_{clk_{i/o}} / LBT[5..0] \times (LDIV[11..0] + 1)$$

Equation for setting LINDIV value:

$$LDIV[11..0] = (f_{clk_{i/o}} / LBT[5..0] \times BAUD) - 1$$

Note that in reception a majority vote on three samplings is made.

17.5.6.2 Re-synchronization in LIN Mode

When waiting for Rx Header, LBT[5..0] = 32 in LINBTR register. The re-synchronization begins when the BREAK is detected. If the BREAK size is not in the range (11 bits min., 28 bits max. — 13 bits nominal), the BREAK is refused. The re-synchronization is done by adjusting LBT[5..0] value to the SYNCH field of the received header (0x55). Then the PROTECTED IDENTIFIER is sampled using the new value of LBT[5..0]. The re-synchronization implemented in the controller tolerates a clock deviation of $\pm 20\%$ and adjusts the baud rate in a $\pm 2\%$ range.

The new LBT[5..0] value will be used up to the end of the response. Then, the LBT[5..0] will be reset to 32 for the next header.

The LINBTR register can be used to re-calibrate the clock oscillator.

The re-synchronization is not performed if the LIN node is enabled as a master.

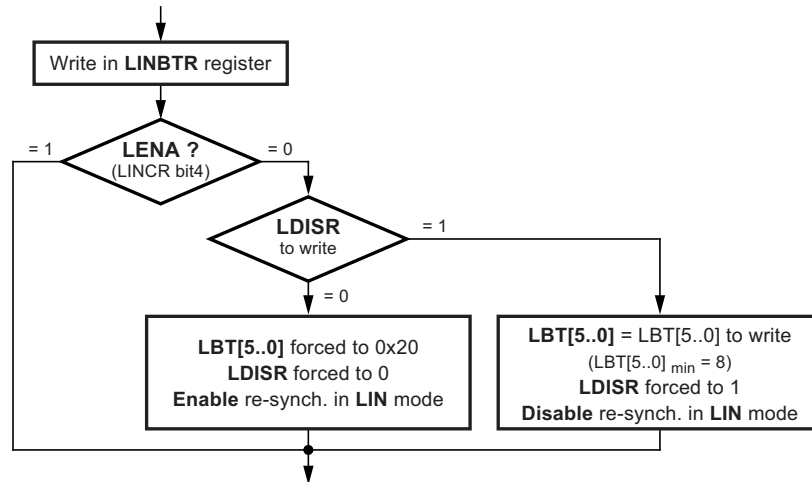
17.5.6.3 Handling LBT[5..0]

LDISR bit of LINBTR register is used to:

- To enable the setting of LBT[5..0] (to manually adjust the baud rate especially in the case of UART mode). A minimum of 8 is required for LBT[5..0] due to the sampling operation.
- Disable the re-synchronization in LIN Slave Mode for test purposes.

Note that the LENA bit of LINCR register is important for this handling (see [Figure 17-8](#)).

Figure 17-8. Handling LBT[5..0]



17.5.7 Data Length

[Section 17.4.6 “LIN Commands” on page 179](#) describes how to set or how are automatically set the LRXDL[3..0] or LTXDL[3..0] fields of LINDLR register before receiving or transmitting a response.

In the case of Tx Response the LRXDL[3..0] will be used by the hardware to count the number of bytes already successfully sent.

In the case of Rx Response the LTXDL[3..0] will be used by the hardware to count the number of bytes already successfully received.

If an error occurs, this information is useful to the programmer to recover the LIN messages.

17.5.7.1 Data Length in LIN 2.1

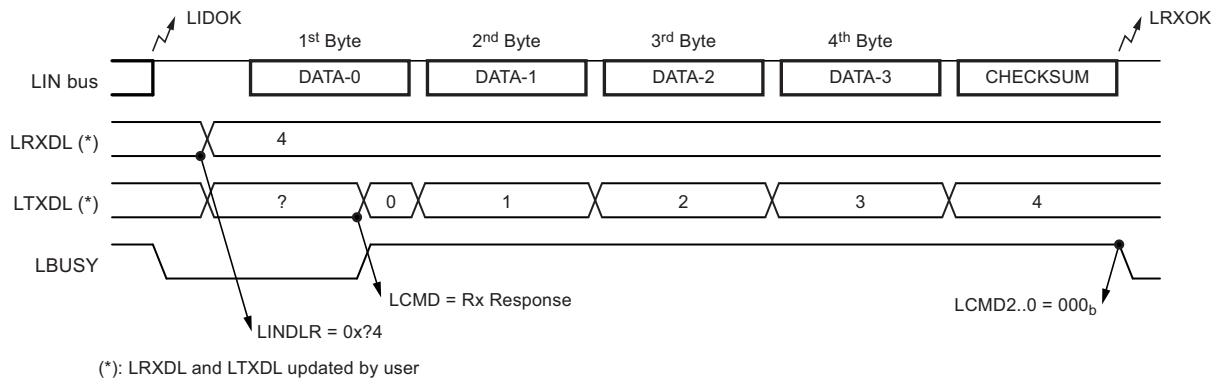
- If LTXDL[3..0]=0 only the CHECKSUM will be sent,
- If LRXDL[3..0]=0 the first byte received will be interpreted as the CHECKSUM,
- If LTXDL[3..0] or LRXDL[3..0] >8, values will be forced to 8 after the command setting and before sending or receiving of the first byte.

17.5.7.2 Data Length in LIN 1.3

- LRXDL and LTXDL fields are both hardware updated before setting LIDOK by decoding the data length code contained in the received PROTECTED IDENTIFIER (LRXDL = LTXDL).
- Via the above mechanism, a length of 0 or >8 is not possible.

17.5.7.3 Data Length in Rx Response

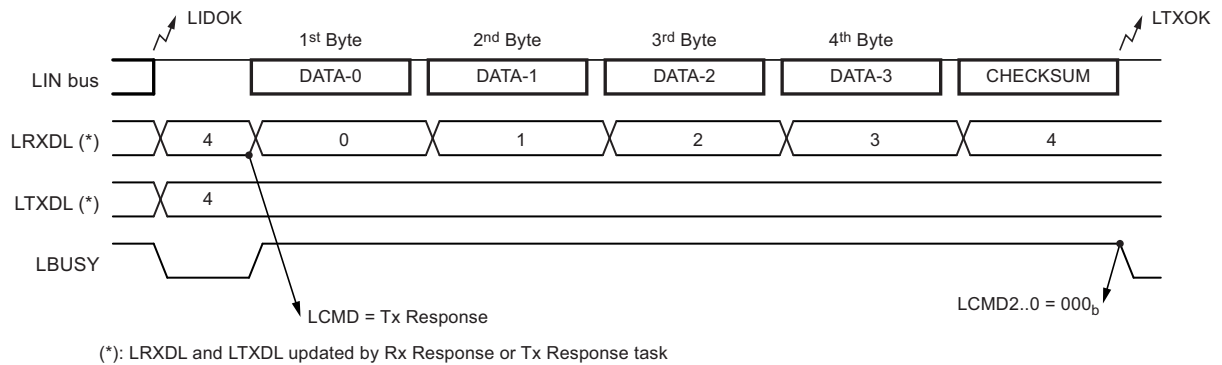
Figure 17-9. LIN2.1 - Rx Response - No Error



- The user initializes LRXDL field before setting the Rx response command,
- After setting the Rx response command, LTXDL is reset by hardware,
- LRXDL field will remain unchanged during Rx (during busy signal),
- LTXDL field will count the number of received bytes (during busy signal),
- If an error occurs, Rx stops, the corresponding error flag is set and LTXDL will give the number of received bytes without error,
- If no error occurs, LTXOK is set after the reception of the CHECKSUM, LRXDL will be unchanged (and LTXDL = LRXDL).

17.5.7.4 Data Length in Tx Response

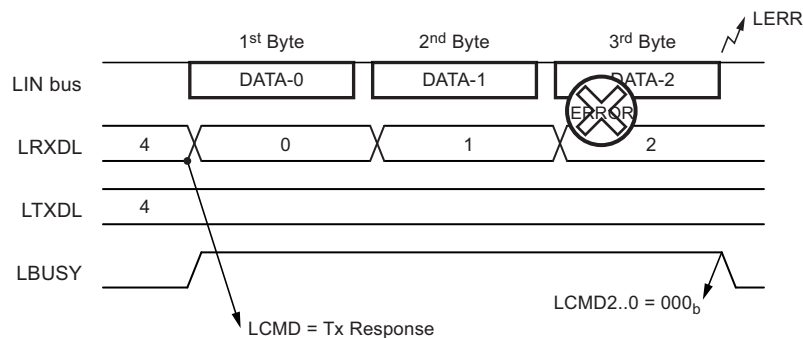
Figure 17-10. LIN1.3 - Tx Response - No Error



- The user initializes LTXDL field before setting the Tx response command,
- After setting the Tx response command, LRXDL is reset by hardware,
- LTXDL will remain unchanged during Tx (during busy signal),
- LRXDL will count the number of transmitted bytes (during busy signal),
- If an error occurs, Tx stops, the corresponding error flag is set and LRXDL will give the number of transmitted bytes without error,
- If no error occurs, LTXOK is set after the transmission of the CHECKSUM, LTXDL will be unchanged (and LRXDL = LTXDL).

17.5.7.5 Data Length after Error

Figure 17-11. Tx Response - Error



Note: Information on response (ex: error on byte) is only available at the end of the serialization/de-serialization of the byte.

17.5.7.6 Data Length in UART Mode

- The UART mode forces LRXDL and LTXDL to 0 and disables the writing in LINDLR register,
- Note that after reset, LRXDL and LTXDL are also forced to 0.

17.5.8 xxOK Flags

There are three xxOK flags in LINSIR register:

- **LIDOK: LIN IDentifier OK**
It is set at the end of the header, either by the Tx header function or by the Rx header. In LIN 1.3, before generating LIDOK, the controller updates the LRXDL and LTXDL fields in LINDLR register. It is not driven in UART mode.
- **LRXOK: LIN RX response complete**
It is set at the end of the response by the Rx response function in LIN mode and once a character is received in UART mode.
- **LTXOK: LIN TX response complete**
It is set at the end of the response by the Tx Response function in LIN mode and once a character has been sent in UART mode.

These flags can generate interrupts if the corresponding enable interrupt bit is set in the LINENIR register (see [Section 17.5.13 “Interrupts” on page 188](#)).

17.5.9 xxERR Flags

LERR bit of the LINSIR register is an logical ‘OR’ of all the bits of LINERR register (see [Section 17.5.13 “Interrupts” on page 188](#)). There are eight flags:

- **LBERR = LIN Bit ERRor.**
A unit that is sending a bit on the bus also monitors the bus. A LIN bit error will be flagged when the bit value that is monitored is different from the bit value that is sent. After detection of a LIN bit error the transmission is aborted.
- **LCERR = LIN Checksum ERRor.**
A LIN checksum error will be flagged if the inverted modulo-256 sum of all received data bytes (and the protected identifier in LIN 2.1) added to the checksum does not result in 0xFF.

- LPERR = LIN Parity ERROR (identifier).
 A LIN parity error in the IDENTIFIER field will be flagged if the value of the parity bits does not match with the identifier value. (See LP[1:0] bits in [Section 17.6.8 “LIN Identifier Register - LINIDR” on page 195](#)). A LIN slave application does not distinguish between corrupted parity bits and a corrupted identifier. The hardware does not undertake any correction.
 However, the LIN slave application has to solve this as:
 - known identifier (parity bits corrupted),
 - or corrupted identifier to be ignored,
 - or new identifier.
- LSERR = LIN Synchronization ERROR.
 A LIN synchronization error will be flagged if a slave detects the edges of the SYNCH field outside the given tolerance.
- LFERR = LIN Framing ERROR.
 A framing error will be flagged if dominant STOP bit is sampled.
 Same function in UART mode.
- LTOERR = LIN Time Out ERROR.
 A time-out error will be flagged if the MESSAGE frame is not fully completed within the maximum length $T_{Frame_Maximum}$ by any slave task upon transmission of the SYNCH and IDENTIFIER fields (see [Section 17.5.10 “Frame Time Out” on page 187](#)).
- LOVERR = LIN OVerrun ERROR.
 Overrun error will be flagged if a new command (other than LIN Abort) is entered while ‘Busy signal’ is present.
 In UART mode, an overrun error will be flagged if a received byte overwrites the byte stored in the serial input buffer.
- LABORT
 LIN abort transfer reflects a previous LIN Abort command (LCMD[2..0] = 000) while ‘Busy signal’ is present.

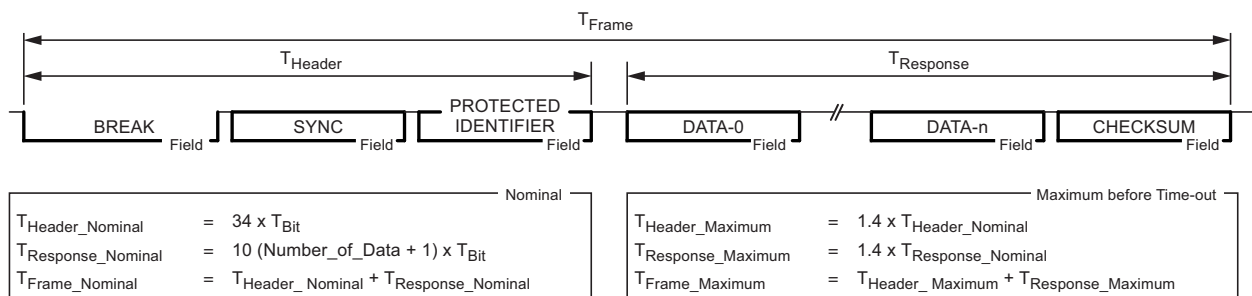
After each LIN error, the LIN controller stops its previous activity and returns to its withdrawal mode (LCMD[2..0] = 000_b) as illustrated in [Figure 17-11 on page 186](#).

Writing 1 in LERR of LINSIR register resets LERR bit and all the bits of the LINERR register.

17.5.10 Frame Time Out

According to the LIN protocol, a frame time-out error is flagged if: $T_{Frame} > T_{Frame_Maximum}$. This feature is implemented in the LIN/UART controller.

Figure 17-12. LIN Timing and Frame Time-out



17.5.11 Break-in-data

According to the LIN protocol, the LIN/UART controller can detect the BREAK/SYNC field sequence even if the break is partially superimposed with a byte of the response. When a BREAK/SYNC field sequence happens, the transfer in progress is aborted and the processing of the new frame starts.

- On slave node(s), an error is generated (i.e. LBERR in case of *Tx Response* or LFERR in case of *Rx Response*). Information on data error is also available, refer to the [Section 17.5.7.5](#).
- On master node, the user (code) is responsible for this aborting of frame. To do this, the master task has first to abort the on-going communication (clearing LCMD bits - *LIN Abort* command) and then to apply the *Tx Header* command. In this case, the abort error flag - LABORT - is set.

On the slave node, the BREAK detection is processed with the synchronization setting available when the LIN/UART controller processed the (aborted) response. But the re-synchronization restarts as usual. Due to a possible difference of timing reference between the BREAK field and the rest of the frame, the time-out values can be slightly inaccurate.

17.5.12 Checksum

The last field of a frame is the checksum.

In LIN 2.1, the checksum contains the inverted eight bit sum with carry over all data bytes and the protected identifier. This calculation is called enhanced checksum.

$$\text{CHECKSUM} = 255 - \left(\text{unsigned char} \left(\left(\sum_0^n \text{DATA}_n \right) + \text{PROTECTED ID.} \right) + \text{unsigned char} \left(\left(\left(\sum_0^n \text{DATA}_n \right) + \text{PROTECTED ID.} \right) \gg 8 \right) \right)$$

In LIN 1.3, the checksum contains the inverted eight bit sum with carry over all data bytes. This calculation is called classic checksum.

$$\text{CHECKSUM} = 255 - \left(\text{unsigned char} \left(\sum_0^n \text{DATA}_n \right) + \text{unsigned char} \left(\left(\sum_0^n \text{DATA}_n \right) \gg 8 \right) \right)$$

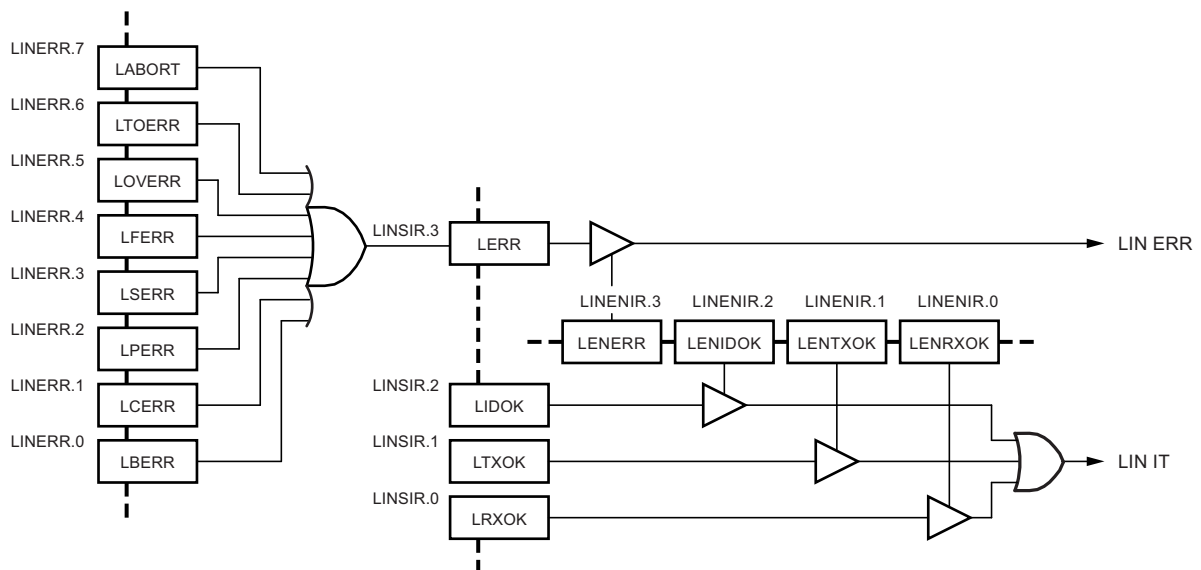
Frame identifiers 60 (0x3C) to 61 (0x3D) shall always use classic checksum

17.5.13 Interrupts

As shown in [Figure 17-13 on page 188](#), the four communication flags of the LINSIR register are combined to drive two interrupts. Each of these flags have their respective enable interrupt bit in LINENIR register.

(see [Section 17.5.8 “xxOK Flags” on page 186](#) and [Section 17.5.9 “xxERR Flags” on page 186](#)).

Figure 17-13. LIN Interrupt Mapping



17.5.14 Message Filtering

Message filtering based upon the whole identifier is not implemented. Only a status for frame headers having 0x3C, 0x3D, 0x3E and 0x3F as identifier is available in the LINSIR register.

Table 17-4. Frame Status

LIDST[2..0]	Frame Status
0xx _b	No specific identifier
100 _b	60 (0x3C) identifier
101 _b	61 (0x3D) identifier
110 _b	62 (0x3E) identifier
111 _b	63 (0x3F) identifier

The LIN protocol says that a message with an identifier from 60 (0x3C) up to 63 (0x3F) uses a classic checksum (sum over the data bytes only). Software will be responsible for switching correctly the LIN13 bit to provide/check this expected checksum (the insertion of the ID field in the computation of the CRC is set - or not - just after entering the Rx or Tx response command).

17.5.15 Data Management

17.5.15.1 LIN FIFO Data Buffer

To preserve register allocation, the LIN data buffer is seen as a FIFO (with address pointer accessible). This FIFO is accessed via the LINDX[2..0] field of LINSER register through the LINDAT register.

LINDX[2..0], the data index, is the address pointer to the required data byte. The data byte can be read or written. The data index is automatically incremented after each LINDAT access if the $\overline{\text{LAINC}}$ (active low) bit is cleared. A roll-over is implemented, after data index=7 it is data index=0. Otherwise, if $\overline{\text{LAINC}}$ bit is set, the data index needs to be written (updated) before each LINDAT access.

The first byte of a LIN frame is stored at the data index=0, the second one at the data index=1, and so on. Nevertheless, LINSER must be initialized by the user before use.

17.5.15.2 UART Data Register

The LINDAT register is the data register (no buffering - no FIFO). In write access, LINDAT will be for data out and in read access, LINDAT will be for data in.

In UART mode the LINSER register is unused.

17.5.16 OCD Support

This section describes the behavior of the LIN/UART controller stopped by the OCD (i.e. I/O view behavior in AVR Studio®)

1. LINCX:
 - LINCX[6..0] are R/W accessible,
 - LSWRES always is a self-reset bit (needs 1 micro-controller cycle to execute)
2. LINSIR:
 - LIDST[2..0] and LBSY are always Read accessible,
 - LERR and LxxOK bit are directly accessible (unlike in execution, set or cleared directly by writing 1 or 0).
 - Note that clearing LERR resets all LINERR bits and setting LERR sets all LINERR bits.
3. LINENR:
 - All bits are R/W accessible.
4. LINERR:
 - All bits are R/W accessible,
 - Note that LINERR bits are ORed to provide the LERR interrupt flag of LINSIR.
5. LINBTR:
 - LBT[5..0] are R/W access only if LDISR is set,
 - If LDISR is reset, LBT[5..0] are unchangeable.

6. LINBRRH and LINBRRL:
 - All bits are R/W accessible.
7. LINDLR:
 - All bits are R/W accessible.
8. LINIDR:
 - LID[5..0] are R/W accessible,
 - LP[1..0] are Read accessible and are always updated on the fly.
9. LINSEL:
 - All bits are R/W accessible.
10. LINDAT:
 - All bits are in R/W accessible,
 - Note that $\overline{\text{LAINC}}$ has no more effect on the auto-incrementation and the access to the full FIFO is done setting LINDX[2..0] of LINSEL.

Note: When a debugger break occurs, the state machine of the LIN/UART controller is stopped (included frame time-out) and further communication may be corrupted.

17.6 LIN / UART Register Description

Table 17-5. LIN/UART Register Bits Summary

Name	Bit 7		Bit 6		Bit 5		Bit 4		Bit 3		Bit 2		Bit 1		Bit 0	
LINCR	LSWRES		LIN13		LCONF1		LCONF0		LENA		LCMD2		LCMD1		LCMD0	
	0	R/W	0	R/W	0	R/W	0	R/W	0	R/W	0	R/W	0	R/W	0	R/W
LINSIR	LIDST2		LIDST1		LIDST0		LBUSY		LERR		LIDOK		LTXOK		LRXOK	
	0	R	0	R	0	R	0	R	0	R/W _{one}	0	R/W _{one}	0	R/W _{one}	0	R/W _{one}
LINENIR	—		—		—		—		LENERR		LENIDOK		LENTXOK		LENRXOK	
	0	R	0	R	0	R	0	R	0	R/W	0	R/W	0	R/W	0	R/W
LINERR	LABORT		LTOERR		LOVERR		LFERR		LSERR		LPERR		LCERR		LBERR	
	0	R	0	R	0	R	0	R	0	R	0	R	0	R	0	R
LINBTR	LDISR		—		LBT5		LBT4		LBT3		LBT2		LBT1		LBT0	
	0	R/W	0	R	1	R/(W)	0	R/(W)	0	R/(W)	0	R/(W)	0	R/(W)	0	R/(W)
LINBRRL	LDIV7		LDIV6		LDIV5		LDIV4		LDIV3		LDIV2		LDIV1		LDIV0	
	0	R/W	0	R/W	0	R/W	0	R/W	0	R/W	0	R/W	0	R/W	0	R/W
LINBRRH	—		—		—		—		LDIV11		LDIV10		LDIV9		LDIV8	
	0	R	0	R	0	R	0	R	0	R/W	0	R/W	0	R/W	0	R/W
LINDLR	LTXDL3		LTXDL2		LTXDL1		LTXDL0		LRXDL3		LRXDL2		LRXDL1		LRXDL0	
	0	R/W	0	R/W	0	R/W	0	R/W	0	R/W	0	R/W	0	R/W	0	R/W
LINIDR	LP1		LP0		LID5/LDL1		LID4/LDL0		LID3		LID2		LID1		LID0	
	1	R	0	R	0	R/W	0	R/W	0	R/W	0	R/W	0	R/W	0	R/W
LINSEL	—		—		—		—		LAINC		LINDX2		LINDX1		LINDX0	
	0	R	0	R	0	R	0	R	0	R/W	0	R/W	0	R/W	0	R/W
LINDAT	LDATA7		LDATA6		LDATA5		LDATA4		LDATA3		LDATA2		LDATA1		LDATA0	
	0	R/W	0	R/W	0	R/W	0	R/W	0	R/W	0	R/W	0	R/W	0	R/W

17.6.1 LIN Control Register - LINCR

Bit	7	6	5	4	3	2	1	0	
	LSWRES	LIN13	LCONF1	LCONF0	LENA	LCMD2	LCMD1	LCMD0	LINCR
Read/Write	R/W	R/W	R/W	R/W	R/W	R/W	R/W	R/W	
Initial Value	0	0	0	0	0	0	0	0	

- **Bit 7 - LSWRES: Software Reset**

- 0 = No action,
- 1 = Software reset (this bit is self-reset at the end of the reset procedure).

- **Bit 6 - LIN13: LIN 1.3 mode**

- 0 = LIN 2.1 (default),
- 1 = LIN 1.3.

- **Bit 5:4 - LCONF[1:0]: Configuration**

- a. LIN mode (default = 00):

- 00 = LIN standard configuration (listen mode “off”, CRC “on” and Frame_Time_Out “on”),
- 01 = No CRC, no time out (listen mode “off”),
- 10 = No Frame_Time_Out (listen mode “off” and CRC “on”),
- 11 = Listening mode (CRC “on” and Frame_Time_Out “on”).

- b. UART mode (default = 00):

- 00 = 8-bit, no parity (listen mode “off”),
- 01 = 8-bit, even parity (listen mode “off”),
- 10 = 8-bit, odd parity (listen mode “off”),
- 11 = Listening mode, 8-bit, no parity.

- **Bit 3 - LENA: Enable**

- 0 = Disable (both LIN and UART modes),
- 1 = Enable (both LIN and UART modes).

- **Bit 2:0 - LCMD[2..0]: Command and mode**

The command is only available if LENA is set.

- 000 = LIN Rx Header - LIN abort,
- 001 = LIN Tx Header,
- 010 = LIN Rx Response,
- 011 = LIN Tx Response,
- 100 = UART Rx and Tx Byte disable,
- 11x = UART Rx Byte enable,
- 1x1 = UART Tx Byte enable.

17.6.2 LIN Status and Interrupt Register - LINSIR

Bit	7	6	5	4	3	2	1	0	
	LIDST2	LIDST1	LIDST0	LBUSY	LERR	LIDOK	LTXOK	LRXOK	LINSIR
Read/Write	R	R	R	R	R/W _{one}	R/W _{one}	R/W _{one}	R/W _{one}	
Initial Value	0	0	0	0	0	0	0	0	

- **Bits 7:5 - LIDST[2:0]: Identifier Status**

- 0xx = no specific identifier,
- 100 = Identifier 60 (0x3C),
- 101 = Identifier 61 (0x3D),
- 110 = Identifier 62 (0x3E),
- 111 = Identifier 63 (0x3F).

- **Bit 4 - LBUSY: Busy Signal**

- 0 = Not busy,
- 1 = Busy (receiving or transmitting).

- **Bit 3 - LERR: Error Interrupt**

It is a logical OR of LINERR register bits. This bit generates an interrupt if its respective enable bit - LENERR - is set in LINENIR.

- 0 = No error,
- 1 = An error has occurred.

The user clears this bit by writing 1 in order to reset this interrupt. Resetting LERR also resets all LINERR bits. In UART mode, this bit is also cleared by reading LINDAT.

- **Bit 2 - LIDOK: Identifier Interrupt**

This bit generates an interrupt if its respective enable bit - LENIDOK - is set in LINENIR.

- 0 = No identifier,
- 1 = Slave task: Identifier present, master task: Tx header complete.

The user clears this bit by writing 1, in order to reset this interrupt.

- **Bit 1 - LTXOK: Transmit Performed Interrupt**

This bit generates an interrupt if its respective enable bit - LENTXOK - is set in LINENIR.

- 0 = No Tx,
- 1 = Tx Response complete.

The user clears this bit by writing 1, in order to reset this interrupt.

In UART mode, this bit is also cleared by writing LINDAT.

- **Bit 0 - LRXOK: Receive Performed Interrupt**

This bit generates an interrupt if its respective enable bit - LENRXOK - is set in LINENIR.

- 0 = No Rx
- 1 = Rx Response complete.

The user clears this bit by writing 1, in order to reset this interrupt.

In UART mode, this bit is also cleared by reading LINDAT.

17.6.3 LIN Enable Interrupt Register - LINENIR

Bit	7	6	5	4	3	2	1	0	
	-	-	-	-	LENERR	LENIDOK	LENTXOK	LENRXOK	LINENIR
Read/Write	R	R	R	R	R/W	R/W	R/W	R/W	
Initial Value	0	0	0	0	0	0	0	0	

- **Bits 7:4 - Reserved Bits**

These bits are reserved for future use. For compatibility with future devices, they must be written to zero when LINENIR is written.

- **Bit 3 - LENERR: Enable Error Interrupt**

- 0 = Error interrupt masked,
- 1 = Error interrupt enabled.

- **Bit 2 - LENIDOK: Enable Identifier Interrupt**

- 0 = Identifier interrupt masked,
- 1 = Identifier interrupt enabled.

- **Bit 1 - LENTXOK: Enable Transmit Performed Interrupt**

- 0 = Transmit performed interrupt masked,
- 1 = Transmit performed interrupt enabled.

- **Bit 0 - LENRXOK: Enable Receive Performed Interrupt**

- 0 = Receive performed interrupt masked,
- 1 = Receive performed interrupt enabled.

17.6.4 LIN Error Register - LINERR

Bit	7	6	5	4	3	2	1	0	
	LABORT	LTOERR	LOVERR	LFERR	LSERR	LPERR	LCERR	LBERR	LINERR
Read/Write	R	R	R	R	R	R	R	R	
Initial Value	0	0	0	0	0	0	0	0	

- **Bit 7 - LABORT: Abort Flag**

- 0 = No warning,
- 1 = LIN abort command occurred. This bit is cleared when LERR bit in LINSIR is cleared.

- **Bit 6 - LTOERR: Frame_Time_Out Error Flag**

- 0 = No error,
- 1 = Frame_Time_Out error. This bit is cleared when LERR bit in LINSIR is cleared.

- **Bit 5 - LOVERR: Overrun Error Flag**

- 0 = No error,
- 1 = Overrun error. This bit is cleared when LERR bit in LINSIR is cleared.

- **Bit 4 - LFERR: Framing Error Flag**

- 0 = No error,
- 1 = Framing error. This bit is cleared when LERR bit in LINSIR is cleared.

- **Bit 3 - LSERR: Synchronization Error Flag**

- 0 = No error,
- 1 = Synchronization error. This bit is cleared when LERR bit in LINSIR is cleared.

- **Bit 2 - LPERR: Parity Error Flag**

- 0 = No error,
- 1 = Parity error. This bit is cleared when LERR bit in LINSIR is cleared.

- **Bit 1 - LCERR: Checksum Error Flag**

- 0 = No error,
- 1 = Checksum error. This bit is cleared when LERR bit in LINSIR is cleared.

- **Bit 0 - LBERR: Bit Error Flag**

- 0 = no error,
- 1 = Bit error. This bit is cleared when LERR bit in LINSIR is cleared.

17.6.5 LIN Bit Timing Register - LINBTR

Bit	7	6	5	4	3	2	1	0	
	LDISR	-	LBT5	LBT4	LBT3	LBT2	LBT1	LBT0	LINBTR
Read/Write	R/W	R	R/(W)	R/(W)	R/(W)	R/(W)	R/(W)	R/(W)	
Initial Value	0	0	1	0	0	0	0	0	

- **Bit 7 - LDISR: Disable Bit Timing Re synchronization**

- 0 = Bit timing re-synchronization enabled (default),
- 1 = Bit timing re-synchronization disabled.

- **Bits 5:0 - LBT[5:0]: LIN Bit Timing**

Gives the number of samples of a bit.

$$\text{sample-time} = (1 / f_{\text{clk}_{i/o}}) \times (\text{LDIV}[11..0] + 1)$$

Default value: LBT[6:0]=32 — Min. value: LBT[6:0]=8 — Max. value: LBT[6:0]=63

17.6.6 LIN Baud Rate Register - LINBRR

Bit	7	6	5	4	3	2	1	0	
	LDIV7	LDIV6	LDIV5	LDIV4	LDIV3	LDIV2	LDIV1	LDIV0	LINBRR
	-	-	-	-	LDIV11	LDIV10	LDIV9	LDIV8	LINBRRH
Bit	15	14	13	12	11	10	9	8	
Read/Write	R/W	R/W	R/W	R/W	R/W	R/W	R/W	R/W	
Initial Value	0	0	0	0	0	0	0	0	

- **Bits 15:12 - Reserved Bits**

These bits are reserved for future use. For compatibility with future devices, they must be written to zero when LINBRR is written.

- **Bits 11:0 - LDIV[11:0]: Scaling of $\text{clk}_{i/o}$ Frequency**

The LDIV value is used to scale the entering $\text{clk}_{i/o}$ frequency to achieve appropriate LIN or UART baud rate.

17.6.7 LIN Data Length Register - LINDLR

Bit	7	6	5	4	3	2	1	0	
	LTXDL3 LTXDL2 LTXDL1 LTXDL0 LRXDL3 LRXDL2 LRXDL1 LRXDL0								LINDLR
Read/Write	R/W	R/W	R/W	R/W	R/W	R/W	R/W	R/W	
Initial Value	0	0	0	0	0	0	0	0	

- Bits 7:4 - LTXDL[3:0]: LIN Transmit Data Length**
 In LIN mode, this field gives the number of bytes to be transmitted (clamped to 8 Max).
 In UART mode this field is unused.
- Bits 3:0 - LRXDL[3:0]: LIN Receive Data Length**
 In LIN mode, this field gives the number of bytes to be received (clamped to 8 Max).
 In UART mode this field is unused.

17.6.8 LIN Identifier Register - LINIDR

Bit	7	6	5	4	3	2	1	0	
	LP1 LP0 LID5 / LDL1 LID4 / LDL0 LID3 LID2 LID1 LID0								LINIDR
Read/Write	R	R	R/W	R/W	R/W	R/W	R/W	R/W	
Initial Value	0	0	0	0	0	0	0	0	

- Bits 7:6 - LP[1:0]: Parity**
 In LIN mode:

$$LP0 = LID4 \oplus LID2 \oplus LID1 \oplus LID0$$

$$LP1 = \neg (LID1 \oplus LID3 \oplus LID4 \oplus LID5)$$
 In UART mode this field is unused.
- Bits 5:4 - LDL[1:0]: LIN 1.3 Data Length**
 In LIN 1.3 mode:
 - 00 = 2-byte response,
 - 01 = 2-byte response,
 - 10 = 4-byte response,
 - 11 = 8-byte response.
 In UART mode this field is unused.
- Bits 3:0 - LID[3:0]: LIN 1.3 Identifier**
 In LIN 1.3 mode: 4-bit identifier.
 In UART mode this field is unused.
- Bits 5:0 - LID[5:0]: LIN 2.1 Identifier**
 In LIN 2.1 mode: 6-bit identifier (no length transported).
 In UART mode this field is unused.

17.6.9 LIN Data Buffer Selection Register - LINSSEL

Bit	7	6	5	4	3	2	1	0	
	-	-	-	-	LAINC	LINDX2	LINDX1	LINDX0	LINSSEL
Read/Write	-	-	-	-	R/W	R/W	R/W	R/W	
Initial Value	-	-	-	-	0	0	0	0	

- **Bits 7:4 - Reserved Bits**

These bits are reserved for future use. For compatibility with future devices, they must be written to zero when LINSSEL is written.

- **Bit 3 - LAINC: Auto Increment of Data Buffer Index**

In LIN mode:

- 0 = Auto incrementation of FIFO data buffer index (default),
- 1 = No auto incrementation.

In UART mode this field is unused.

- **Bits 2:0 - LINDX 2:0: FIFO LIN Data Buffer Index**

In LIN mode: location (index) of the LIN response data byte into the FIFO data buffer. The FIFO data buffer is accessed through LINDAT.

In UART mode this field is unused.

17.6.10 LIN Data Register - LINDAT

Bit	7	6	5	4	3	2	1	0	
	LDATA7	LDATA6	LDATA5	LDATA4	LDATA3	LDATA2	LDATA1	LDATA0	LINDAT
Read/Write	R/W	R/W	R/W	R/W	R/W	R/W	R/W	R/W	
Initial Value	0	0	0	0	0	0	0	0	

- **Bits 7:0 - LDATA[7:0]: LIN Data In / Data out**

In LIN mode: FIFO data buffer port.

In UART mode: data register (no data buffer - no FIFO).

- In Write access, data out.
- In Read access, data in.

18. Analog to Digital Converter - ADC

18.1 Features

- 10-bit resolution
- 0.8 LSB integral non-linearity (at 2Mhz)
- ± 3.2 LSB absolute accuracy
- 8 to 250 μ s conversion time
- Up to 125kSPS at maximum resolution
- 11 multiplexed single ended input channels
- 3 differential input channels with programmable gain 5, 10, 20 and 40
- Optional left adjustment for ADC result readout
- 0 to V_{CC} ADC input voltage range
- Selectable 2.56 V ADC reference voltage
- Free running or single conversion mode
- ADC start conversion by auto triggering on interrupt sources
- Interrupt on ADC conversion complete
- Sleep mode noise canceler
- Temperature sensor
- LIN address sense (ISRC voltage measurement)
- V_{CC} voltage measurement

The ATmega16/32/64/M1/C1 features a 10-bit successive approximation ADC. The ADC is connected to an 15-channel analog multiplexer which allows eleven single-ended input. The single-ended voltage inputs refer to 0V (GND).

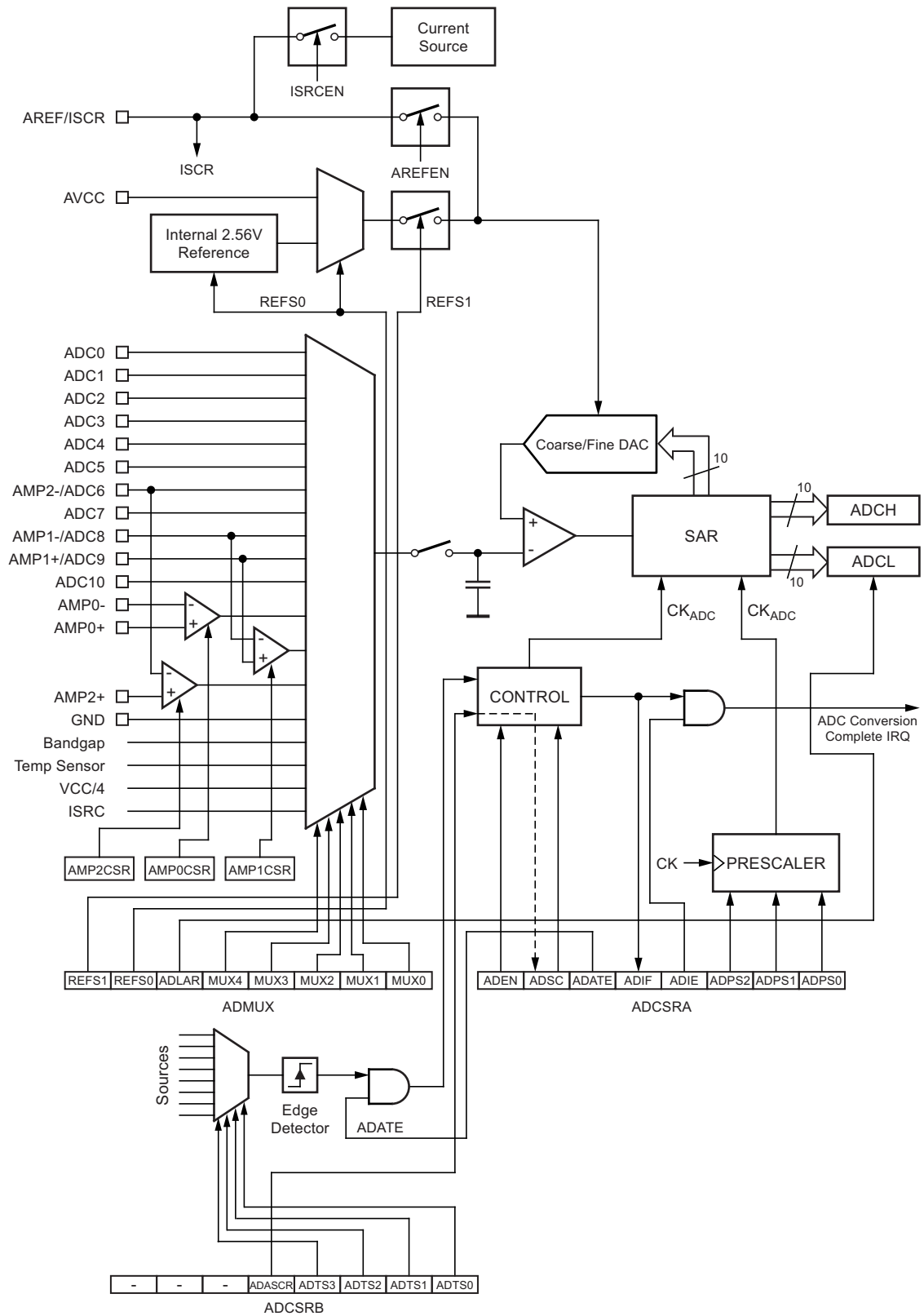
The device also supports 3 differential voltage input amplifiers which are equipped with a programmable gain stage, providing amplification steps of 14dB (5x), 20dB (10x), 26dB (20x), or 32dB (40x) on the differential input voltage before the A/D conversion. On the amplified channels, 8-bit resolution can be expected.

The ADC contains a sample and hold circuit which ensures that the input voltage to the ADC is held at a constant level during conversion. A block diagram of the ADC is shown in [Figure 18-1 on page 198](#).

The ADC has a separate analog supply voltage pin, AV_{CC} . AV_{CC} must not differ more than $\pm 0.3V$ from V_{CC} . See [Section 18.6 "ADC Noise Canceler" on page 203](#) on how to connect this pin.

Internal reference voltages of nominally 2.56V or AV_{CC} are provided on-chip. The voltage reference may be externally decoupled at the AREF pin by a capacitor (e.g., 10nF) for better noise performance. In any case this capacitor should not be greater than 10% of the AV_{CC} smoothing capacitor.

Figure 18-1. Analog to Digital Converter Block Schematic



18.2 Operation

The ADC converts an analog input voltage to a 10-bit digital value through successive approximation. The minimum value represents GND and the maximum value represents the voltage on the AREF pin minus 1 LSB. Optionally, AV_{CC} or an internal 2.56V reference voltage may be connected to the AREF pin by writing to the REFSn bits in the ADMUX Register. The internal voltage reference may thus be decoupled by an external capacitor at the AREF pin to improve noise immunity.

The analog input channels are selected by writing to the MUX bits in ADMUX. Any of the ADC input pins, as well as GND and a fixed bandgap voltage reference, can be selected as single ended inputs to the ADC.

The ADC is enabled by setting the ADC Enable bit, ADEN in ADCSRA. Voltage reference is set by the REFS1 and REFS0 bits in ADMUX register, whatever the ADC is enabled or not. The ADC does not consume power when ADEN is cleared, so it is recommended to switch off the ADC before entering power saving sleep modes.

The ADC generates a 10-bit result which is presented in the ADC Data Registers, ADCH and ADCL. By default, the result is presented right adjusted, but can optionally be presented left adjusted by setting the ADLAR bit in ADMUX.

If the result is left adjusted and no more than 8-bit precision is required, it is sufficient to read ADCH. Otherwise, ADCL must be read first, then ADCH, to ensure that the content of the Data Registers belongs to the same conversion. Once ADCL is read, ADC access to Data Registers is blocked. This means that if ADCL has been read, and a conversion completed before ADCH is read, neither register is updated and the result from the conversion is lost. When ADCH is read, ADC access to the ADCH and ADCL Registers is re-enabled.

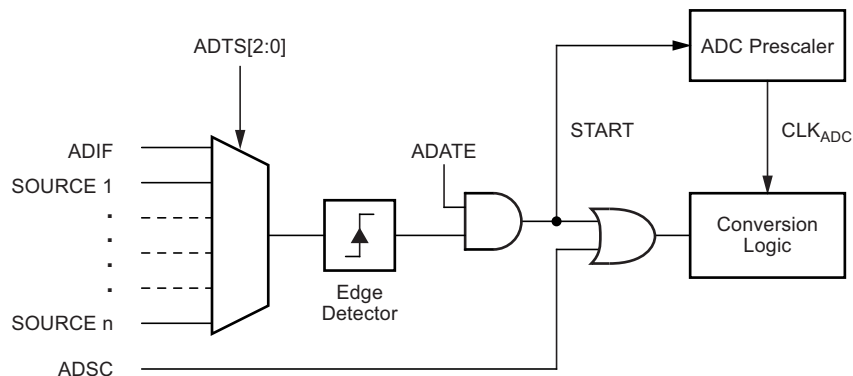
The ADC has its own interrupt which can be triggered when a conversion completes. The ADC access to the Data Registers is prohibited between reading of ADCH and ADCL, the interrupt will trigger even if the result is lost.

18.3 Starting a Conversion

A single conversion is started by writing a logical one to the ADC start conversion bit, ADSC. This bit stays high as long as the conversion is in progress and will be cleared by hardware when the conversion is completed. If a different data channel is selected while a conversion is in progress, the ADC will finish the current conversion before performing the channel change.

Alternatively, a conversion can be triggered automatically by various sources. Auto triggering is enabled by setting the ADC Auto trigger enable bit, ADATE in ADCSRA. The trigger source is selected by setting the ADC trigger select bits, ADTS in ADCSRB (See description of the ADTS bits for a list of the trigger sources). When a positive edge occurs on the selected trigger signal, the ADC prescaler is reset and a conversion is started. This provides a method of starting conversions at fixed intervals. If the trigger signal is still set when the conversion completes, a new conversion will not be started. If another positive edge occurs on the trigger signal during conversion, the edge will be ignored. Note that an interrupt flag will be set even if the specific interrupt is disabled or the Global Interrupt Enable bit in SREG is cleared. A conversion can thus be triggered without causing an interrupt. However, the interrupt flag must be cleared in order to trigger a new conversion at the next interrupt event.

Figure 18-2. ADC Auto Trigger Logic

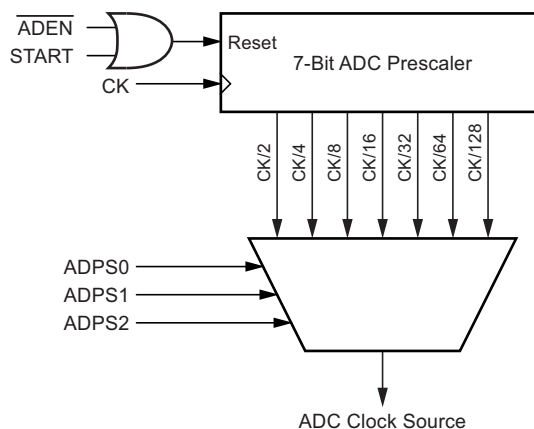


Using the ADC interrupt flag as a trigger source makes the ADC start a new conversion as soon as the ongoing conversion has finished. The ADC then operates in free running mode, constantly sampling and updating the ADC data register. The first conversion must be started by writing a logical one to the ADSC bit in ADCSRA. In this mode the ADC will perform successive conversions independently of whether the ADC Interrupt Flag, ADIF is cleared or not. The free running mode is not allowed on the amplified channels.

If auto triggering is enabled, single conversions can be started by writing ADSC in ADCSRA to one. ADSC can also be used to determine if a conversion is in progress. The ADSC bit will be read as one during a conversion, independently of how the conversion was started.

18.4 Prescaling and Conversion Timing

Figure 18-3. ADC Prescaler



By default, the successive approximation circuitry requires an input clock frequency between 50kHz and 2MHz to get maximum resolution. If a lower resolution than 10 bits is needed, the input clock frequency to the ADC can be higher than 2MHz to get a higher sample rate.

The ADC module contains a prescaler, which generates an acceptable ADC clock frequency from any CPU frequency above 100kHz. The prescaling is set by the ADPS bits in ADCSRA. The prescaler starts counting from the moment the ADC is switched on by setting the ADEN bit in ADCSRA. The prescaler keeps running for as long as the ADEN bit is set, and is continuously reset when ADEN is low.

When initiating a single ended conversion by setting the ADSC bit in ADCSRA, the conversion starts at the following rising edge of the ADC clock cycle. See [Section 18.5 “Changing Channel or Reference Selection” on page 202](#) for details on differential conversion timing.

A normal conversion takes 15.5 ADC clock cycles. The first conversion after the ADC is switched on (ADEN in ADCSRA is set) takes 25 ADC clock cycles in order to initialize the analog circuitry.

The actual sample-and-hold takes place 3.5 ADC clock cycles after the start of a normal conversion and 13.5 ADC clock cycles after the start of an first conversion. When a conversion is complete, the result is written to the ADC data registers, and ADIF is set. In single conversion mode, ADSC is cleared simultaneously. The software may then set ADSC again, and a new conversion will be initiated on the first rising ADC clock edge.

When auto triggering is used, the prescaler is reset when the trigger event occurs. This assures a fixed delay from the trigger event to the start of conversion. In this mode, the sample-and-hold takes place two ADC clock cycles after the rising edge on the trigger source signal. Three additional CPU clock cycles are used for synchronization logic.

In free running mode, a new conversion will be started immediately after the conversion completes, while ADSC remains high. For a summary of conversion times, see [Table 18-1 on page 202](#).

Figure 18-4. ADC Timing Diagram, First Conversion (Single Conversion Mode)

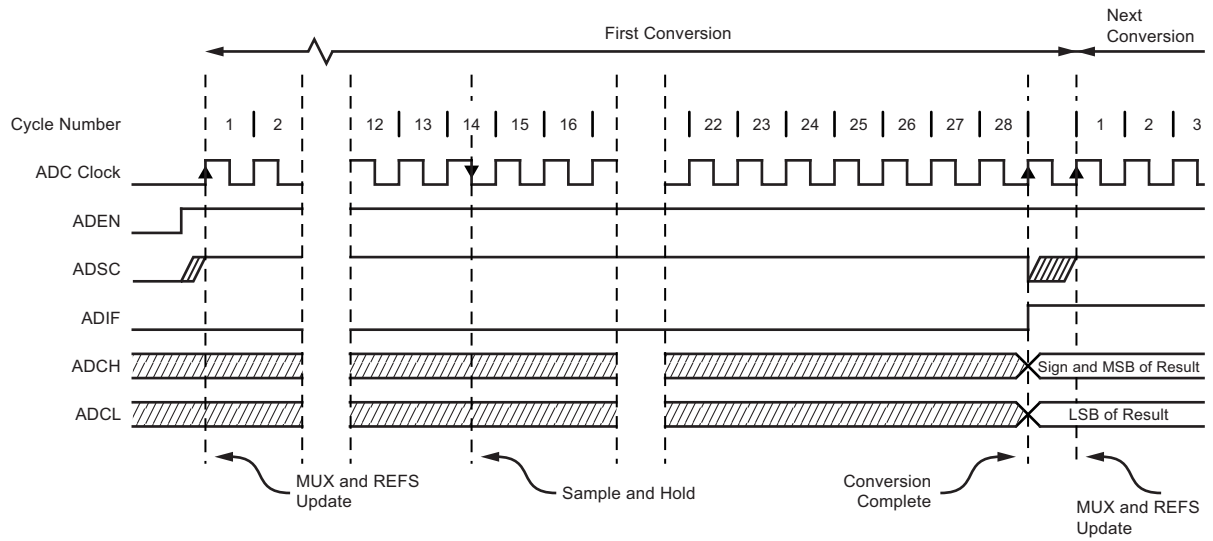


Figure 18-5. ADC Timing Diagram, Single Conversion

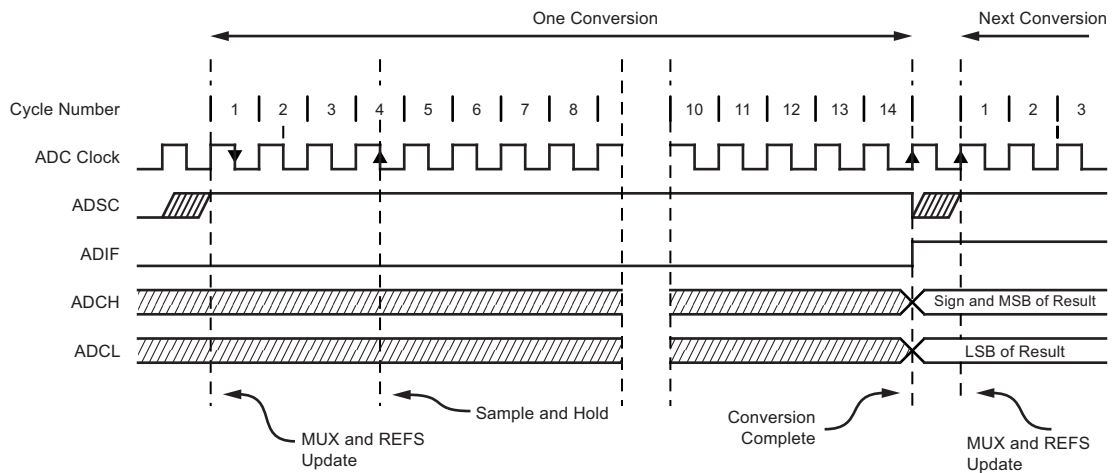


Figure 18-6. ADC Timing Diagram, Auto Triggered Conversion

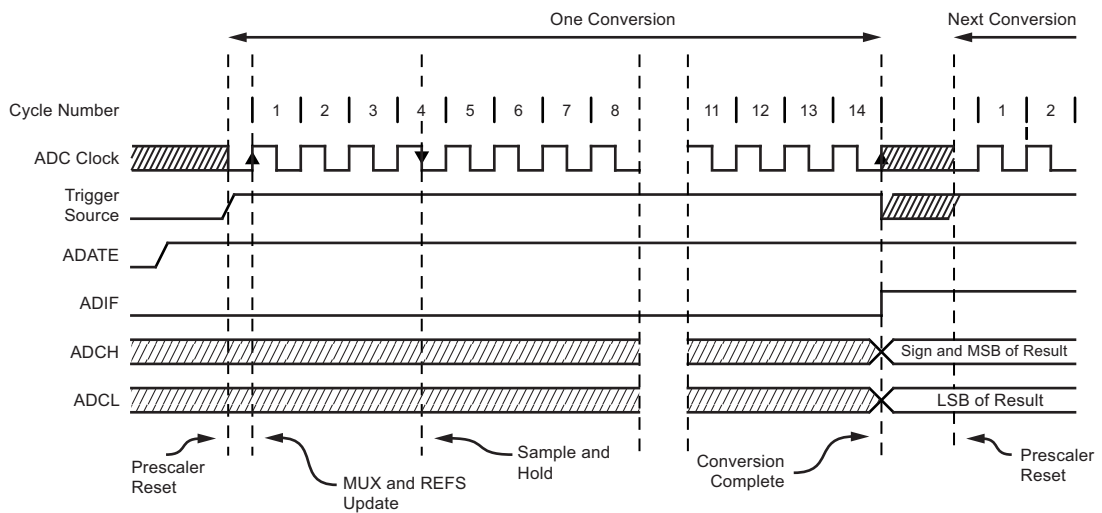


Figure 18-7. ADC Timing Diagram, Free Running Conversion

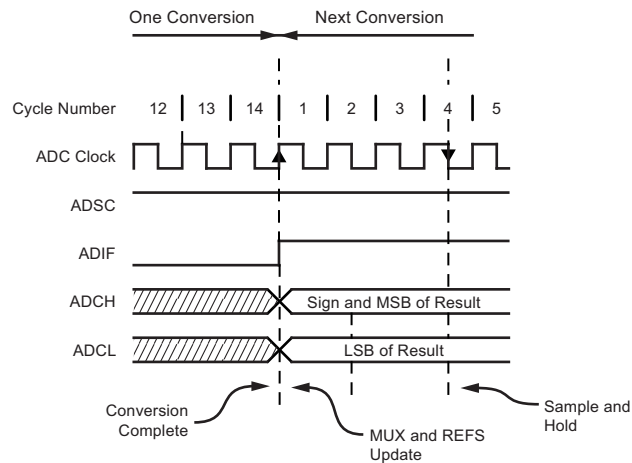


Table 18-1. ADC Conversion Time

Condition	First Conversion	Normal Conversion, Single Ended	Auto Triggered Conversion
Sample and Hold (Cycles from Start of Conversion)	13.5	3.5	2
Conversion Time (Cycles)	25	15.5	16

18.5 Changing Channel or Reference Selection

The MUXn and REFS1:0 bits in the ADMUX Register are single buffered through a temporary register to which the CPU has random access. This ensures that the channels and reference selection only takes place at a safe point during the conversion. The channel and reference selection is continuously updated until a conversion is started. Once the conversion starts, the channel and reference selection is locked to ensure a sufficient sampling time for the ADC. Continuous updating resumes in the last eight ADC clock cycle before the conversion completes (ADIF in ADCSRA is set). Note that the conversion starts on the second following rising CPU clock edge after ADSC is written. The user is thus advised not to write new channel or reference selection values to ADMUX until two ADC clock cycle after ADSC is written.

If auto triggering is used, the exact time of the triggering event can be indeterministic. Special care must be taken when updating the ADMUX register, in order to control which conversion will be affected by the new settings.

If both ADATE and ADEN is written to one, an interrupt event can occur at any time. If the ADMUX register is changed in this period, the user cannot tell if the next conversion is based on the old or the new settings. ADMUX can be safely updated in the following ways:

1. When ADATE or ADEN is cleared.
2. during conversion, with taking care of the trigger source event, when it is possible.
3. After a conversion, before the interrupt flag used as trigger source is cleared.

When updating ADMUX in one of these conditions, the new settings will affect the next ADC conversion.

18.5.1 ADC Input Channels

When changing channel selections, the user should observe the following guidelines to ensure that the correct channel is selected:

- In single conversion mode, always select the channel before starting the conversion. The channel selection may be changed one ADC clock cycle after writing one to ADSC. However, the simplest method is to wait for the conversion to complete before changing the channel selection.
- In free running mode, always select the channel before starting the first conversion. The channel selection may be changed one ADC clock cycle after writing one to ADSC. However, the simplest method is to wait for the first conversion to complete, and then change the channel selection. Since the next conversion has already started automatically, the next result will reflect the previous channel selection. Subsequent conversions will reflect the new channel selection.
- In free running mode, because the amplifier clear the ADSC bit at the end of an amplified conversion, it is not possible to use the free running mode, unless ADSC bit is set again by soft at the end of each conversion.

Note: When The ADC and COMPARATOR share the same channel (possible configuration for AMP1+, AMP1- and AMP2-), up to revision B of ATmega32M1 the comparator is disconnected during the sampling of the ADC. For ATmega16/64 and ATmega32 revision C, the COMPARATOR is always connected.

18.5.2 ADC Voltage Reference

The reference voltage for the ADC (V_{REF}) indicates the conversion range for the ADC. Single ended channels that exceed V_{REF} will result in codes close to 0x3FF. V_{REF} can be selected as either AV_{CC} , internal 2.56V reference, or external AREF pin.

AV_{CC} is connected to the ADC through a passive switch. The internal 2.56V reference is generated from the internal bandgap reference (V_{BG}) through an internal amplifier. In either case, the external AREF pin is directly connected to the ADC, and the reference voltage can be made more immune to noise by connecting a capacitor between the AREF pin and ground. V_{REF} can also be measured at the AREF pin with a high impedant voltmeter. Note that V_{REF} is a high impedant source, and only a capacitive load should be connected in a system.

If the user has a fixed voltage source connected to the AREF pin, the user may not use the other reference voltage options in the application, as they will be shorted to the external voltage. If no external voltage is applied to the AREF pin, the user may switch between AV_{CC} and 2.56V as reference selection. The first ADC conversion result after switching reference voltage source may be inaccurate, and the user is advised to discard this result.

AREF pin is alternate function with ISRC current source output. When current source is selected, the AREF pin is not connected to the internal reference voltage network. See AREFEN and ISRCEN bits in [Section 18.9.3 “ADC control and status register B– ADCSRB” on page 212](#).

If differential channels are used, the selected reference should not be closer to AV_{CC} than indicated in [Table 26-6 on page 280](#).

18.6 ADC Noise Canceler

The ADC features a noise canceler that enables conversion during sleep mode to reduce noise induced from the CPU core and other I/O peripherals. The noise canceler can be used with ADC noise reduction and Idle mode. To make use of this feature, the following procedure should be used:

- Make sure the ADATE bit is reset.
- Make sure that the ADC is enabled and is not busy converting. Single conversion mode must be selected and the ADC conversion complete interrupt must be enabled.
- Enter ADC noise reduction mode (or Idle mode). The ADC will start a conversion once the CPU has been halted.
- If no other interrupts occur before the ADC conversion completes, the ADC interrupt will wake up the CPU and execute the ADC conversion complete interrupt routine. If another interrupt wakes up the CPU before the ADC conversion is complete, that interrupt will be executed, and an ADC Conversion Complete interrupt request will be generated when the ADC conversion completes. The CPU will remain in active mode until a new sleep command is executed.

Note that the ADC will not be automatically turned off when entering other sleep modes than Idle mode and ADC noise reduction mode. The user is advised to write zero to ADEN before entering such sleep modes to avoid excessive power consumption. If the ADC is enabled in such sleep modes and the user wants to perform differential conversions, the user is advised to switch the ADC off and on after waking up from sleep to prompt an extended conversion to get a valid result.

18.6.1 Analog Input Circuitry

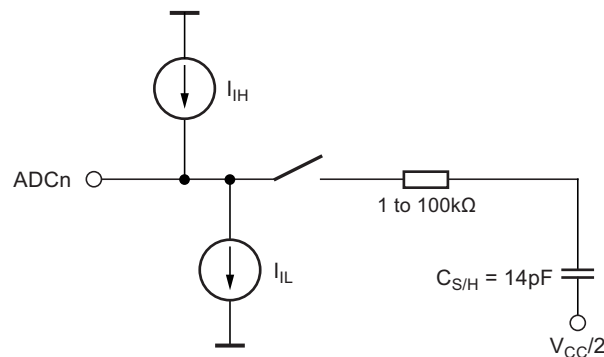
The analog input circuitry for single ended channels is illustrated in [Figure 18-8](#). An analog source applied to ADCn is subjected to the pin capacitance and input leakage of that pin, regardless of whether that channel is selected as input for the ADC. When the channel is selected, the source must drive the S/H capacitor through the series resistance (combined resistance in the input path).

The ADC is optimized for analog signals with an output impedance of approximately 10kΩ or less. If such a source is used, the sampling time will be negligible. If a source with higher impedance is used, the sampling time will depend on how long time the source needs to charge the S/H capacitor, which can vary widely. The user is recommended to only use low impedant sources with slowly varying signals, since this minimizes the required charge transfer to the S/H capacitor.

If differential gain channels are used, the input circuitry looks somewhat different, although source impedances of a few hundred kΩ or less is recommended.

Signal components higher than the Nyquist frequency ($f_{ADC}/2$) should not be present for either kind of channels, to avoid distortion from unpredictable signal convolution. The user is advised to remove high frequency components with a low-pass filter before applying the signals as inputs to the ADC.

Figure 18-8. Analog Input Circuitry



18.6.2 Analog Noise Canceling Techniques

Digital circuitry inside and outside the device generates EMI which might affect the accuracy of analog measurements. If conversion accuracy is critical, the noise level can be reduced by applying the following techniques:

1. Keep analog signal paths as short as possible. Make sure analog tracks run over the analog ground plane, and keep them well away from high-speed switching digital tracks.
2. The AVCC pin on the device should be connected to the digital VCC supply voltage via an RC network (R = 10Ω max, C = 100nF).
3. Use the ADC noise canceler function to reduce induced noise from the CPU.
4. If any ADC port pins (PB[7:2], PC[7:4], PD[6:4], PE[2]) are used as digital outputs, it is essential that these do not switch while a conversion is in progress.

18.6.3 Offset Compensation Schemes

The gain stage has a built-in offset cancellation circuitry that nulls the offset of differential measurements as much as possible. The remaining offset in the analog path can be measured directly by shortening both differential inputs using the AMPxIS bit with both inputs unconnected (see [Section 18.11.1 “Amplifier 0 control and status register – AMP0CSR” on page 218](#), see [Section 18.11.2 “Amplifier 1 Control and Status Register – AMP1CSR” on page 219](#) and see [Section 18.11.2 “Amplifier 1 Control and Status Register – AMP1CSR” on page 219](#)). This offset residue can be then subtracted in software from the measurement results. Using this kind of software based offset correction, offset on any channel can be reduced below one LSB.

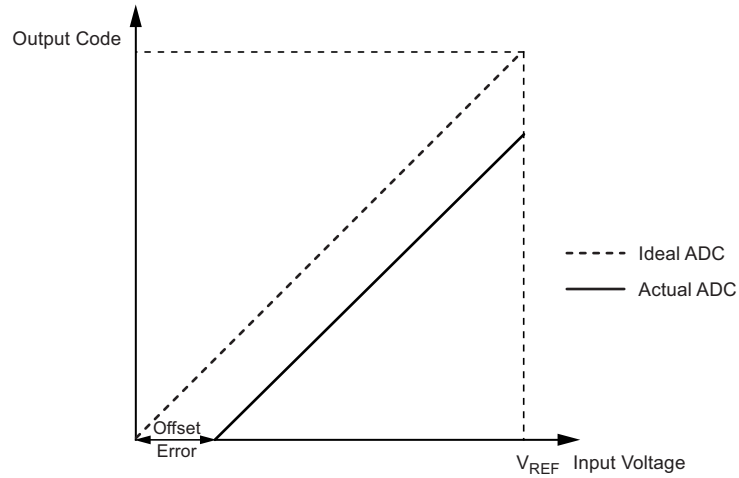
18.6.4 ADC Accuracy Definitions

An n-bit single-ended ADC converts a voltage linearly between GND and V_{REF} in 2^n steps (LSBs). The lowest code is read as 0, and the highest code is read as 2^n-1 .

Several parameters describe the deviation from the ideal behavior:

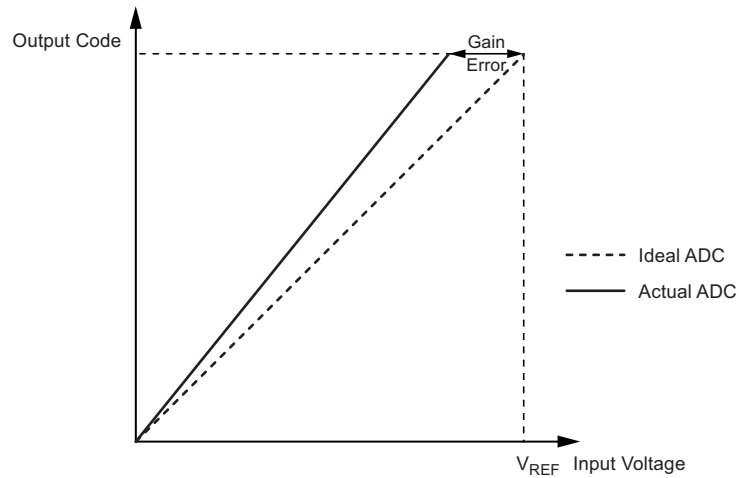
- Offset: The deviation of the first transition (0x000 to 0x001) compared to the ideal transition (at 0.5 LSB). Ideal value: 0 LSB.

Figure 18-9. Offset Error



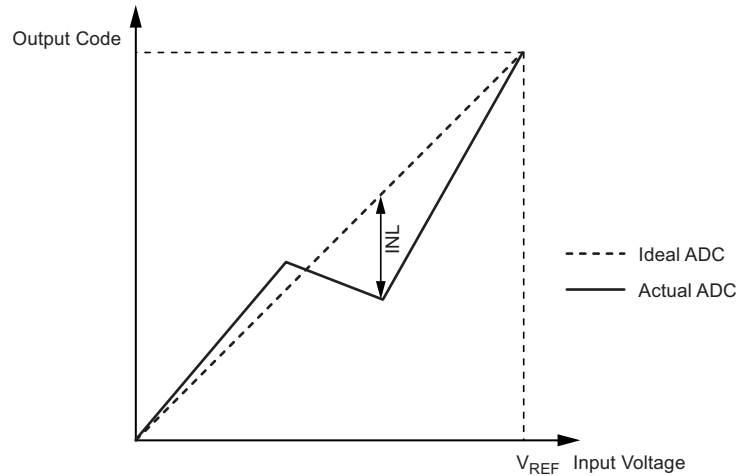
- Gain error: After adjusting for offset, the gain error is found as the deviation of the last transition (0x3FE to 0x3FF) compared to the ideal transition (at 1.5 LSB below maximum). Ideal value: 0 LSB

Figure 18-10. Gain Error



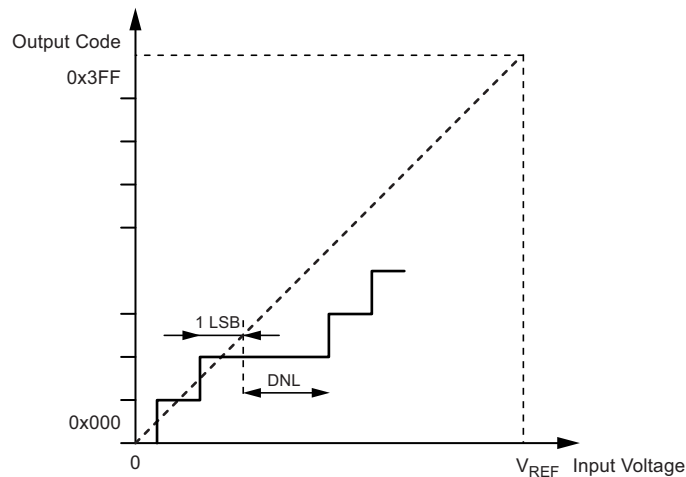
- Integral non-linearity (INL): After adjusting for offset and gain error, the INL is the maximum deviation of an actual transition compared to an ideal transition for any code. Ideal value: 0 LSB.

Figure 18-11. Integral Non-linearity (INL)



- Differential non-linearity (DNL): The maximum deviation of the actual code width (the interval between two adjacent transitions) from the ideal code width (1 LSB). Ideal value: 0 LSB.

Figure 18-12. Differential Non-linearity (DNL)



- Quantization error: Due to the quantization of the input voltage into a finite number of codes, a range of input voltages (1 LSB wide) will code to the same value. Always ± 0.5 LSB.
- Absolute accuracy: The maximum deviation of an actual (unadjusted) transition compared to an ideal transition for any code. This is the compound effect of offset, gain error, differential error, non-linearity, and quantization error. Ideal value: ± 0.5 LSB.

18.7 ADC Conversion Result

After the conversion is complete (ADIF is high), the conversion result can be found in the ADC Result Registers (ADCL, ADCH).

For single ended conversion, the result is:

$$ADC = \frac{V_{IN} \cdot 1023}{V_{REF}}$$

where V_{IN} is the voltage on the selected input pin and V_{REF} the selected voltage reference (see [Table 18-4 on page 210](#) and [Table 18-5 on page 211](#)). 0x000 represents analog ground, and 0x3FF represents the selected reference voltage.

If differential channels are used, the result is:

$$ADC = \frac{(V_{POS} - V_{NEG}) \cdot GAIN \cdot 512}{V_{REF}}$$

where V_{POS} is the voltage on the positive input pin, V_{NEG} the voltage on the negative input pin, GAIN the selected gain factor and V_{REF} the selected voltage reference. The result is presented in two's complement form, from 0x200 (-512d) through 0x1FF (+511d). Note that if the user wants to perform a quick polarity check of the result, it is sufficient to read the MSB of the result (ADC9 in ADCH). If the bit is one, the result is negative, and if this bit is zero, the result is positive. [Figure 18-13](#) shows the decoding of the differential input range.

[Table 18-2 on page 208](#) shows the resulting output codes if the differential input channel pair (ADCn - ADCm) is selected with a reference voltage of V_{REF} .

Figure 18-13. Differential Measurement Range

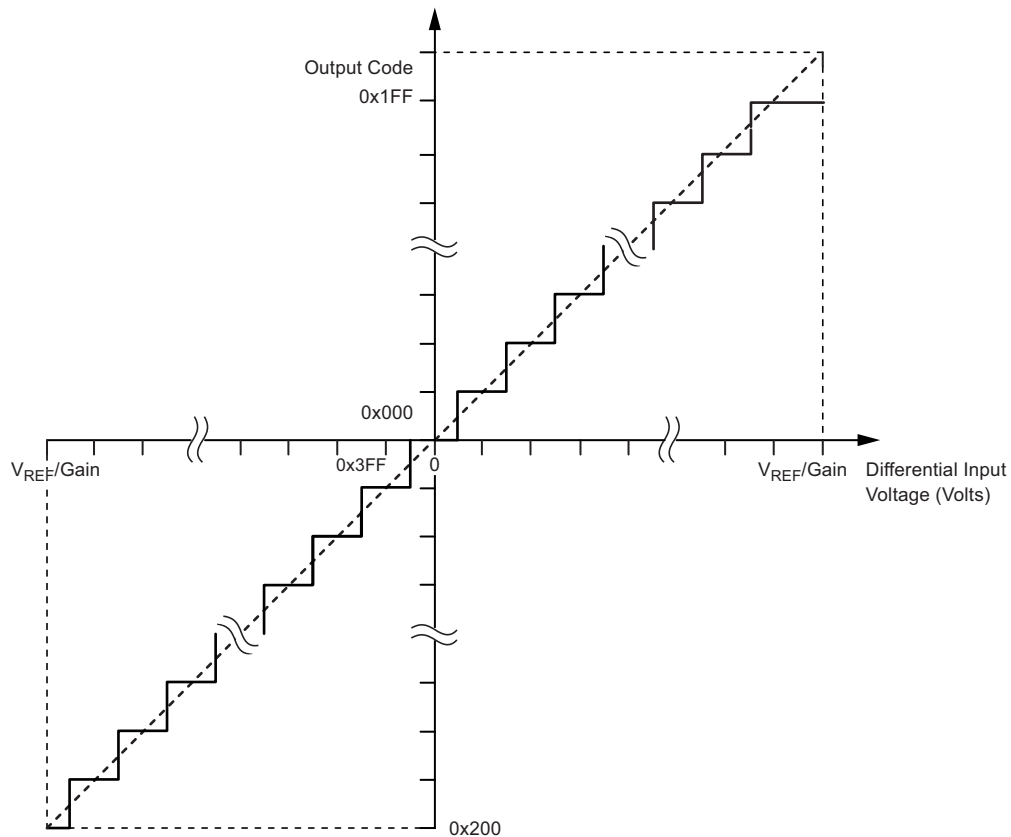


Table 18-2. Correlation Between Input Voltage and Output Codes

V_{ADCn}	Read code	Corresponding decimal value
$V_{ADCm} + V_{REF}/GAIN$	0x1FF	511
$V_{ADCm} + 0.999 V_{REF}/GAIN$	0x1FF	511
$V_{ADCm} + 0.998 V_{REF}/GAIN$	0x1FE	510
...
$V_{ADCm} + 0.001 V_{REF}/GAIN$	0x001	1
V_{ADCm}	0x000	0
$V_{ADCm} - 0.001 V_{REF}/GAIN$	0x3FF	-1
...
$V_{ADCm} - 0.999 V_{REF}/GAIN$	0x201	-511
$V_{ADCm} - V_{REF}/GAIN$	0x200	-512

Example 1:

ADMUX = 0xED (ADC3 – ADC2, 10x gain, 2.56V reference, left adjusted result)

- Voltage on ADC3 is 300mV, voltage on ADC2 is 500mV.
- $ADCR = 512 \times 10 \times (300 - 500) / 2560 = -400 = 0x270$
- ADCL will thus read 0x00, and ADCH will read 0x9C.
Writing zero to ADLAR right adjusts the result: ADCL = 0x70, ADCH = 0x02.

Example 2:

- ADMUX = 0xFB (ADC3 – ADC2, 1x gain, 2.56V reference, left adjusted result)
- Voltage on ADC3 is 300mV, voltage on ADC2 is 500mV.
- $ADCR = 512 \times 1 \times (300 - 500) / 2560 = -41 = 0x029$.
- ADCL will thus read 0x40, and ADCH will read 0x0A.
Writing zero to ADLAR right adjusts the result: ADCL = 0x00, ADCH = 0x29.

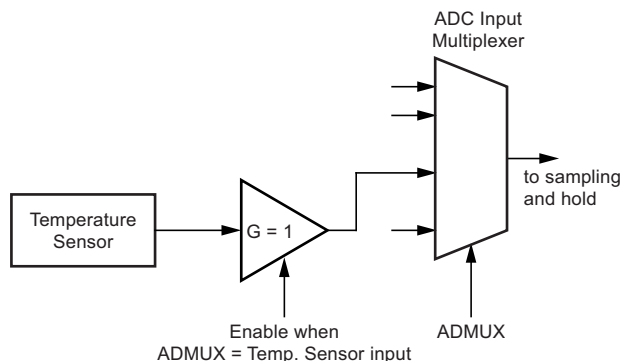
18.8 Temperature Measurement

The temperature measurement is based on an on-chip temperature sensor that is coupled to a single ended ADC input. MUX[4..0] bits in ADMUX register enables the temperature sensor. The internal 2.56V voltage reference must also be selected for the ADC voltage reference source in the temperature sensor measurement. When the temperature sensor is enabled, the ADC converter can be used in single conversion mode to measure the voltage over the temperature sensor.

As shown [Figure 18-14 on page 209](#), the temperature sensor is followed by a driver. This driver is enabled when ADMUX value selects the temperature sensor as ADC input [Section 18-5 “ADC Input Channel Selection” on page 211](#) The propagation delay of this driver is approximately 2μS. Therefore two successive conversions are required. The correct temperature measurement will be the second one.

One can also reduce this timing to one conversion by setting the ADMUX during the previous conversion. Indeed the ADMUX can be programmed to select the temperature sensor just after the beginning of the previous conversion start event and then the driver will be enabled 2μS before sampling and hold phase of temperature sensor measurement. See [Section 18.5 “Changing Channel or Reference Selection” on page 202](#).

Figure 18-14. Temperature Sensor Block Diagram



The measured voltage has a linear relationship to the temperature as described in [Table 18-3](#). The voltage sensitivity is approximately 2.5mV/°C and the accuracy of the temperature measurement is ±10°C after bandgap calibration.

Table 18-3. Temperature versus Sensor Output Voltage (Typical Case)

Temperature/°C	-40°C	+25°C	+125°C
Voltage/mV	600mV	762mV	1012mV

The values described in [Table 18-3 on page 209](#) are typical values. However, due to the process variation the temperature sensor output voltage varies from one chip to another. To be capable of achieving more accurate results, the temperature measurement can be calibrated in the application software.

18.8.1 User Calibration

The software calibration requires that a calibration value is measured and stored in a register or EEPROM for each chip. The software calibration can be done utilizing the formula:

$$T = \{[(ADCH \ll 8) | ADC] - T_{OS}\} / k$$

where ADCH and ADCL are the ADC data registers, k is a fixed coefficient and T_{OS} is the temperature sensor offset value determined and stored into EEPROM.

18.8.2 Manufacturing Calibration

One can also use the calibration values available in the signature row (see [Section 24.7.10 “Reading the Signature Row from Software” on page 249](#)).

The calibration values are determined from values measured during test at room temperature which is approximately +25°C and during test at hot temperature which is approximately +125°C. Calibration measures are done at $V_{CC} = 3V$ and with ADC in internal Vref (2.56V) mode.

There are two algorithms for determining the Centigrade Temperature

formula 1 for ATmega32 up to rev B

formula 2 for ATmega16/64 and ATmega32 rev C.

formula 1: $Temp_C = (((ADC_ts - 273) \times TS_Gain) / 128) + TS_Offset$ [Applicable to devices with 0xFF or 0x42 ('B') in the signature memory at address 0x003F]

formula 2: $Temp_C = (((ADC_ts - (298 - TS_Offset)) \times TS_Gain) / 128) + 25$ [Applicable to devices with 0x43 ('C') in the signature memory at address 0x003F]

Where:

Temp_C is the result temperature in degrees centigrade.

ADC_ts is the 10 bit result the ADC returns from reading the temperature sensor.

TS_Gain is the unsigned fixed point 8-bit temperature sensor gain factor in 1/128th units stored as previously in the signature row at address 0x0007.

TS_Offset is the signed twos complement 7-bit temperature sensor offset reading stored as previously in the signature row at address 0x0005.

See section 24.7.10 in the ATmega32M1 Automotive datasheet for details of reading the signature row.

18.9 ADC Register Description

The ADC of the ATmega16/32/64/M1/C1 is controlled through 3 different registers. The ADCSRA and The ADCSRB registers which are the ADC control and status registers, and the ADMUX which allows to select the Vref source and the channel to be converted.

The conversion result is stored on ADCH and ADCL register which contain respectively the most significant bits and the less significant bits.

18.9.1 ADC Multiplexer Register – ADMUX

Bit	7	6	5	4	3	2	1	0	
	REFS1	REFS0	ADLAR	MUX4	MUX3	MUX2	MUX1	MUX0	ADMUX
Read/Write	R/W	R/W	R/W	-	R/W	R/W	R/W	R/W	
Initial Value	0	0	0	0	0	0	0	0	

- **Bit 7, 6 – REFS1, 0: ADC Vref Selection Bits**

These 2 bits determine the voltage reference for the ADC.

The different setting are shown in [Table 18-4](#).

Table 18-4. ADC Voltage Reference Selection

AREFEN	ISRCEN	REFS1	REFS0	Description
1	0	0	0	External Vref on AREF pin, Internal Vref is switched off
1	0	0	1	AVcc with external capacitor connected on the AREF pin
0	0	0	1	AVcc (no external capacitor connected on the AREF pin)
1	0	1	0	Reserved
1	0	1	1	Internal 2.56V reference voltage with external capacitor connected on the AREF pin
0	x	1	1	Internal 2.56V reference voltage

If bits REFS1 and REFS0 are changed during a conversion, the change will not take effect until this conversion is complete (it means while the ADIF bit in ADCSRA register is set).

In case the internal Vref is selected, it is turned ON as soon as an analog feature needed it is set.

- **Bit 5 – ADLAR: ADC Left Adjust Result**

Set this bit to left adjust the ADC result.

Clear it to right adjust the ADC result.

The ADLAR bit affects the configuration of the ADC result data registers. Changing this bit affects the ADC data registers immediately regardless of any on going conversion. For a complete description of this bit, see Section “ADC Result Data Registers – ADCH and ADCL”, page 213.

- **Bit 4, 2, 1, 0 – MUX4, MUX3, MUX2, MUX1, MUX0: ADC Channel Selection Bits**

These 4 bits determine which analog inputs are connected to the ADC input. The different setting are shown in [Table 18-5 on page 211](#).

Table 18-5. ADC Input Channel Selection

MUX4	MUX3	MUX2	MUX1	MUX0	Description
0	0	0	0	0	ADC0
0	0	0	0	1	ADC1
0	0	0	1	0	ADC2
0	0	0	1	1	ADC3
0	0	1	0	0	ADC4
0	0	1	0	1	ADC5
0	0	1	1	0	ADC6
0	0	1	1	1	ADC7
0	1	0	0	0	ADC8
0	1	0	0	1	ADC9
0	1	0	1	0	ADC10
0	1	0	1	1	Temp sensor
0	1	1	0	0	VCC/4
0	1	1	0	1	ISRC
0	1	1	1	0	AMP0
0	1	1	1	1	AMP1 (– is ADC8, + is ADC9)
1	0	0	0	0	AMP2 (– is ADC6)
1	0	0	0	1	Bandgap
1	0	0	1	0	GND
1	0	0	1	1	Reserved
1	0	1	x	x	Reserved
1	1	x	x	x	Reserved

If these bits are changed during a conversion, the change will not take effect until this conversion is complete (it means while the ADIF bit in ADCSRA register is set).

18.9.2 ADC control and status register A – ADCSRA

Bit	7	6	5	4	3	2	1	0	
	ADEN	ADSC	ADATE	ADIF	ADIE	ADPS2	ADPS1	ADPS0	ADCSRA
Read/Write	R/W	R/W	R/W	R/W	R/W	R/W	R/W	R/W	
Initial Value	0	0	0	0	0	0	0	0	

- **Bit 7 – ADEN: ADC Enable Bit**

Set this bit to enable the ADC.

Clear this bit to disable the ADC.

Clearing this bit while a conversion is running will take effect at the end of the conversion.

- **Bit 6– ADSC: ADC Start Conversion Bit**

Set this bit to start a conversion in single conversion mode or to start the first conversion in free running mode.

Cleared by hardware when the conversion is complete. Writing this bit to zero has no effect.

The first conversion performs the initialization of the ADC.

- **Bit 5 – ADATE: ADC Auto trigger Enable Bit**

Set this bit to enable the auto triggering mode of the ADC.

Clear it to return in single conversion mode.

In auto trigger mode the trigger source is selected by the ADTS bits in the ADCSRB register. See [Table 18-7 on page 213](#).

- **Bit 4– ADIF: ADC Interrupt Flag**

Set by hardware as soon as a conversion is complete and the data register are updated with the conversion result. Cleared by hardware when executing the corresponding interrupt handling vector. Alternatively, ADIF can be cleared by writing it to logical one.

- **Bit 3– ADIE: ADC Interrupt Enable Bit**

Set this bit to activate the ADC end of conversion interrupt. Clear it to disable the ADC end of conversion interrupt.

- **Bit 2, 1, 0– ADPS2, ADPS1, ADPS0: ADC Prescaler Selection Bits**

These 3 bits determine the division factor between the system clock frequency and input clock of the ADC. The different settings are shown in [Table 18-6](#).

Table 18-6. ADC Prescaler Selection

ADPS2	ADPS1	ADPS0	Division Factor
0	0	0	2
0	0	1	2
0	1	0	4
0	1	1	8
1	0	0	16
1	0	1	32
1	1	0	64
1	1	1	128

18.9.3 ADC control and status register B– ADCSRB

Bit	7	6	5	4	3	2	1	0	
	ADHSM	ISRCEN	AREFEN	-	ADTS3	ADTS2	ADTS1	ADTS0	ADCSRB
Read/Write	R/W	R/W	R/W	R	R/W	R/W	R/W	R/W	
Initial Value	0	0	0	0	0	0	0	0	

- **Bit 7 – ADHSM: ADC High-speed Mode**

Writing this bit to one enables the ADC high-speed mode. Set this bit if you wish to convert with an ADC clock frequency higher than 200KHz.

Clear this bit to reduce the power consumption of the ADC when the ADC clock frequency is lower than 200KHz.

- **Bit 6 – ISRCEN: Current Source Enable**

Set this bit to source a 100µA current to the AREF pin. Clear this bit to use AREF pin as analog reference pin.

- **Bit 5 – AREFEN: Analog Reference pin Enable**

Set this bit to connect the internal AREF circuit to the AREF pin. Clear this bit to disconnect the internal AREF circuit from the AREF pin.

- **Bit 4 – Res: Reserved Bit**

This bit is unused bit in the ATmega16/32/64/M1/C1, and will always read as zero.

- **Bit 3, 2, 1, 0– ADTS3:ADTS0: ADC Auto Trigger Source Selection Bits**

These bits are only necessary in case the ADC works in auto trigger mode. It means if ADATE bit in ADCSRA register is set. In accordance with [Table 18-6 on page 212](#), these 3 bits select the interrupt event which will generate the trigger of the start of conversion. The start of conversion will be generated by the rising edge of the selected interrupt flag whether the interrupt is enabled or not. In case of trig on PSCnASY event, there is no flag. So in this case a conversion will start each time the trig event appears and the previous conversion is completed.

Table 18-7. ADC Auto Trigger Source Selection

ADTS3	ADTS2	ADTS1	ADTS0	Description
0	0	0	0	Free running mode
0	0	0	1	External interrupt request 0
0	0	1	0	Timer/Counter0 compare match
0	0	1	1	Timer/Counter0 overflow
0	1	0	0	Timer/Counter1 compare match B
0	1	0	1	Timer/Counter1 overflow
0	1	1	0	Timer/Counter1 capture event
0	1	1	1	PSC Module 0 synchronization signal
1	0	0	0	PSC Module 1 synchronization signal
1	0	0	1	PSC Module 2 synchronization signal
1	0	1	0	Analog comparator 0
1	0	1	1	Analog comparator 1
1	1	0	0	Analog comparator 2
1	1	0	1	Analog comparator 3
1	1	1	0	Reserved
1	1	1	1	Reserved

18.9.4 ADC Result Data Registers – ADCH and ADCL

When an ADC conversion is complete, the conversion results are stored in these two result data registers.

When the ADCL register is read, the two ADC result data registers can't be updated until the ADCH register has also been read.

Consequently, in 10-bit configuration, the ADCL register must be read first before the ADCH.

Nevertheless, to work easily with only 8-bit precision, there is the possibility to left adjust the result thanks to the ADLAR bit in the ADCSRA register. Like this, it is sufficient to only read ADCH to have the conversion result.

18.9.4.1 ADLAR = 0

Bit	7	6	5	4	3	2	1	0	
	-	-	-	-	-	-	ADC9	ADC8	ADCH
	ADC7	ADC6	ADC5	ADC4	ADC3	ADC2	ADC1	ADC0	ADCL
Read/Write	R	R	R	R	R	R	R	R	
Initial Value	0	0	0	0	0	0	0	0	
	0	0	0	0	0	0	0	0	

18.9.4.2 ADLAR = 1

Bit	7	6	5	4	3	2	1	0	
	ADC9	ADC8	ADC7	ADC6	ADC5	ADC4	ADC3	ADC2	ADCH
	ADC1	ADC0	-	-	-	-	-	-	ADCL
Read/Write	R	R	R	R	R	R	R	R	
Initial Value	0	0	0	0	0	0	0	0	
	0	0	0	0	0	0	0	0	

18.9.5 Digital Input Disable Register 0 – DIDR0

Bit	7	6	5	4	3	2	1	0	
	ADC7D	ADC6D ACMPN1D AMP2ND	ADC5D ACMPN0D	ADC4D	ADC3D ACMPN2D	ADC2D ACMP2D	ADC1D	ADC0D ACMPN3D	DIDR0
Read/Write	R/W	R/W	R/W	R/W	R/W	R/W	R/W	R/W	
Initial Value	0	0	0	0	0	0	0	0	

- **Bit 7:0 – ADC7D..ADC0D, ACMPN0D, ACMPN1D, ACMPN2D, ACMPN3D, ACMP2D, AMP2ND: ADC7:0, ACMPN0, ACMPN1, ACMPN2, ACMPN3, ACMP2, AMP2N Digital Input Disable**

When this bit is written logic one, the digital input buffer on the corresponding ADC pin is disabled. The corresponding PIN register bit will always read as zero when this bit is set. When an analog signal is applied to the ADC7..0 pin and the digital input from this pin is not needed, this bit should be written logic one to reduce power consumption in the digital input buffer.

18.9.6 Digital Input Disable Register 1– DIDR1

Bit	7	6	5	4	3	2	1	0	
	-	AMP2PD	ACMP0D	AMP0PD	AMP0ND	ADC10D ACMP1D	ADC9D AMP1PD ACMP3D	ADC8D AMP1ND	DIDR1
Read/Write	-	-	R/W	R/W	R/W	R/W	R/W	R/W	
Initial Value	0	0	0	0	0	0	0	0	

- **Bit 6:0 – ADC10D..8D, ACMP0D, ACMP1D, ACMP3D, AMP0PD, AMP0ND, AMP1PD, AMP1ND, AMP2PD: ADC10..8, ACMP0, ACMP1, ACMP3, AMP0P, AMP0N, AMP1P, AMP1N, AMP2P Digital Input Disable**

When this bit is written logic one, the digital input buffer on the corresponding ADC pin is disabled. The corresponding PIN register bit will always read as zero when this bit is set. When an analog signal is applied to an analog pin and the digital input from this pin is not needed, this bit should be written logic one to reduce power consumption in the digital input buffer.

18.10 Amplifier

The ATmega16/32/64/M1/C1 features three differential amplified channels with programmable 5, 10, 20, and 40 gain stage.

Because the amplifiers are switching capacitor amplifiers, they need to be clocked by a synchronization signal called in this document the amplifier synchronization clock. To ensure an accurate result, the amplifier input needs to have a quite stable input value during at least 4 Amplifier synchronization clock periods. The amplifiers can run with a clock frequency of up to 250kHz (typical value).

To ensure an accurate result, the amplifier input needs to have a quite stable input value at the sampling point during at least 4 amplifier synchronization clock periods.

Amplified conversions can be synchronized to PSC events (See [Section 14-8 “Synchronization Source Description in One Ramp Mode” on page 128](#) and [Section 14-9 “Synchronization Source Description in Centered Mode” on page 129](#)) or to the internal clock CK_{ADC} equal to eighth the ADC clock frequency. In case the synchronization is done the ADC clock divided by 8, this synchronization is done automatically by the ADC interface in such a way that the sample-and-hold occurs at a specific phase of CK_{ADC2} . A conversion initiated by the user (i.e., all single conversions, and the first free running conversion) when CK_{ADC2} is low will take the same amount of time as a single ended conversion (13 ADC clock cycles from the next prescaled clock cycle). A conversion initiated by the user when CK_{ADC2} is high will take 14 ADC clock cycles due to the synchronization mechanism.

The normal way to use the amplifier is to select a synchronization clock via the AMPxTS1:0 bits in the AMPxCSR register. Then the amplifier can be switched on, and the amplification is done on each synchronization event.

In order to start an amplified analog to digital conversion on the amplified channel, the ADMUX must be configured as specified on [Table 18-5 on page 211](#).

The ADC starting requirement is done by setting the ADSC bit of the ADCSRA register.

Until the conversion is not achieved, it is not possible to start a conversion on another channel.

In order to have a better understanding of the functioning of the amplifier synchronization, two timing diagram examples are shown in [Figure 18-15 on page 215](#) and [Figure 18-16 on page 216](#).

As soon as a conversion is requested thanks to the ADSC bit, the analog to digital conversion is started. In case the amplifier output is modified during the sample phase of the ADC, the on-going conversion is aborted and restarted as soon as the output of the amplifier is stable. This ensure a fast response time. The only precaution to take is to be sure that the trig signal (PSC) frequency is lower than $ADCclk/4$.

Figure 18-15. Amplifier Synchronization Timing Diagram with Change on Analog Input Signal

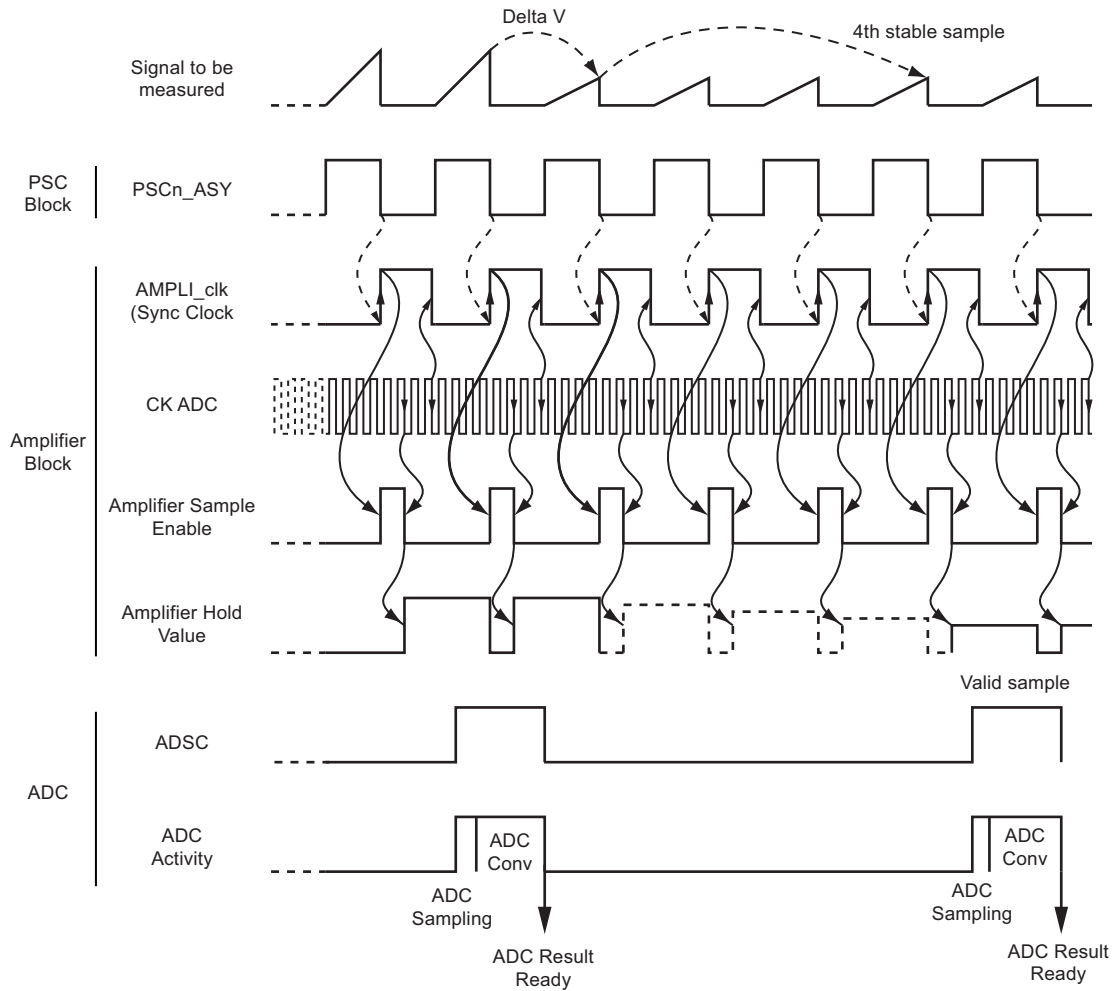
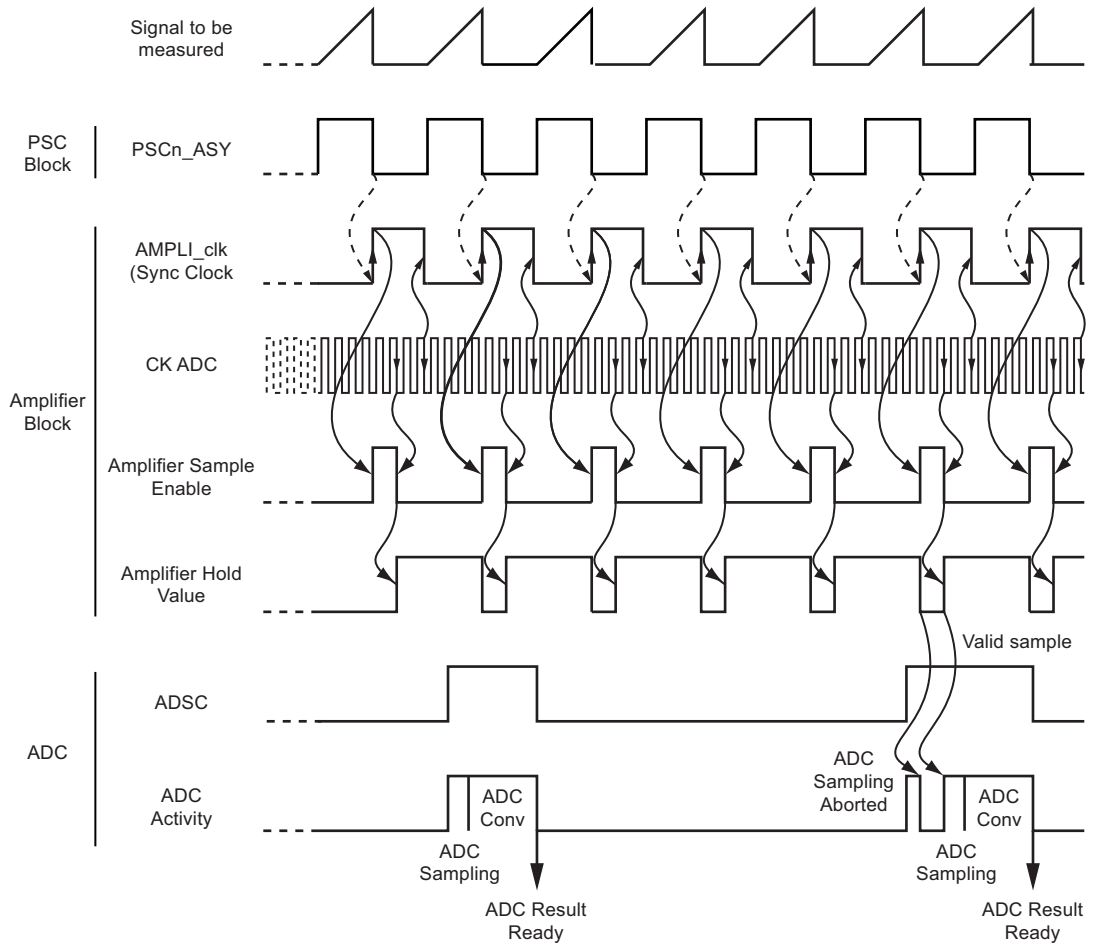


Figure 18-16. Amplifier Synchronization Timing Diagram

ADSC is Set when the Amplifier Output is Changing due to the Amplifier Clock Switch

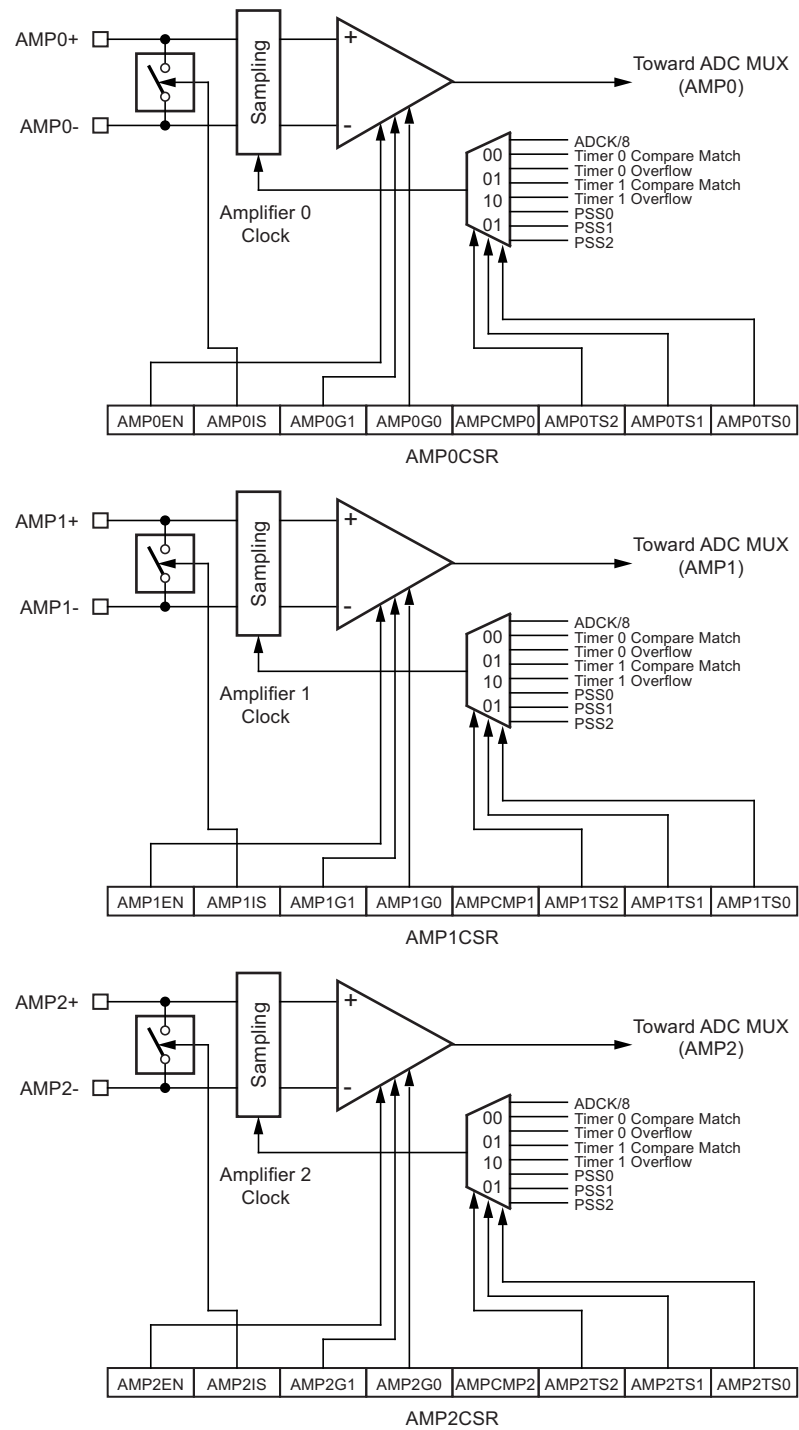


In order to have a better understanding of the functioning of the amplifier synchronization, a timing diagram example is shown [Figure 18-15 on page 215](#).

It is also possible to auto trigger conversion on the amplified channel. In this case, the conversion is started at the next amplifier clock event following the last auto trigger event selected thanks to the ADTS bits in the ADCSRB register. In auto trigger conversion, the free running mode is not possible unless the ADSC bit in ADCSRA is set by soft after each conversion.

The block diagram of the two amplifiers is shown on [Figure 18-17](#).

Figure 18-17. Amplifiers Block Diagram



18.11 Amplifier Control Registers

The configuration of the amplifiers are controlled via two dedicated registers AMP0CSR and AMP1CSR. Then the start of conversion is done via the ADC control and status registers.

The conversion result is stored on ADCH and ADCL register which contain respectively the most significant bits and the less significant bits.

18.11.1 Amplifier 0 control and status register – AMP0CSR

Bit	7	6	5	4	3	2	1	0	
	AMP0EN	AMP0IS	AMP0G1	AMP0G0	AMPCMP0	AMP0TS2	AMP0TS1	AMP0TS0	AMP0CSR
Read/Write	R/W	R/W	R/W	R/W	R/W	R/W	R/W	R/W	
Initial Value	0	0	0	0	0	0	0	0	

- **Bit 7 – AMP0EN: Amplifier 0 Enable Bit**

Set this bit to enable the amplifier 0.

Clear this bit to disable the amplifier 0.

Clearing this bit while a conversion is running will take effect at the end of the conversion.

Warning: Always clear AMP0TS0:1 when clearing AMP0EN.

- **Bit 6 – AMP0IS: Amplifier 0 Input Shunt**

Set this bit to short-circuit the amplifier 0 input.

Clear this bit to normally use the amplifier 0.

- **Bit 5, 4 – AMP0G1, 0: Amplifier 0 Gain Selection Bits**

These 2 bits determine the gain of the amplifier 0.

The different setting are shown in [Table 18-8](#).

Table 18-8. Amplifier 0 Gain Selection

AMP0G1	AMP0G0	Description
0	0	Gain 5
0	1	Gain 10
1	0	Gain 20
1	1	Gain 40

To ensure an accurate result, after the gain value has been changed, the amplifier input needs to have a quite stable input value during at least 4 Amplifier synchronization clock periods.

- **Bit 3 – AMPCMP0: Amplifier 0 - Comparator 0 Connection**

Set this bit to connect the amplifier 0 to the comparator 0 positive input. In this configuration the comparator clock is twice the amplifier clock. Clear this bit to normally use the Amplifier 0.

- **Bit 2:0 – AMP0TS2,AMP0TS1,AMP0TS0: Amplifier 0 Clock Source Selection Bits**

In accordance with [Table 18-9 on page 219](#), these 3 bits select the event which will generate the clock for the amplifier 0. This clock source is necessary to start the conversion on the amplified channel.

Table 18-9. AMP0 Clock Source Selection

AMP0TS2	AMP0TS1	AMP0TS0	Clock Source
0	0	0	ADC clock/8
0	0	1	Timer/Counter0 compare match
0	1	0	Timer/Counter0 overflow
0	1	1	Timer/Counter1 compare match B
1	0	0	Timer/Counter1 overflow
1	0	1	PSC module 0 synchronization signal (PSS0)
1	1	0	PSC module 1 synchronization signal (PSS1)
1	1	1	PSC module 2 synchronization signal (PSS2)

18.11.2 Amplifier 1 Control and Status Register – AMP1CSR

Bit	7	6	5	4	3	2	1	0	
	AMP1EN	AMP1IS	AMP1G1	AMP1G0	AMPCMP1	AMP1TS2	AMP1TS1	AMP1TS0	AMP1CSR
Read/Write	R/W	R/W	R/W	R/W	R/W	R/W	R/W	R/W	
Initial Value	0	0	0	0	0	0	0	0	

- **Bit 7 – AMP1EN: Amplifier 1 Enable Bit**

Set this bit to enable the Amplifier 1.

Clear this bit to disable the Amplifier 1.

Clearing this bit while a conversion is running will take effect at the end of the conversion.

Warning: Always clear AMP1TS0:1 when clearing AMP1EN.

- **Bit 6 – AMP1IS: Amplifier 1 Input Shunt**

Set this bit to short-circuit the Amplifier 1 input.

Clear this bit to normally use the Amplifier 1.

- **Bit 5, 4 – AMP1G1, 0: Amplifier 1 Gain Selection Bits**

These 2 bits determine the gain of the amplifier 1.

The different setting are shown in [Table 18-10](#).

Table 18-10. Amplifier 1 Gain Selection

AMP1G1	AMP1G0	Description
0	0	Gain 5
0	1	Gain 10
1	0	Gain 20
1	1	Gain 40

To ensure an accurate result, after the gain value has been changed, the amplifier input needs to have a quite stable input value during at least 4 Amplifier synchronization clock periods.

- **Bit 3 – AMPCMP1: Amplifier 1 - Comparator 1 connection**

Set this bit to connect the amplifier 1 to the comparator 1 positive input. In this configuration the comparator clock is twice amplifier clock. Clear this bit to normally use the Amplifier 1.

- **Bit 2:0 – AMP1TS2,AMP1TS1, AMP1TS0: Amplifier 1 Clock Source Selection Bits**

In accordance with the [Table 18-11](#), these 3 bits select the event which will generate the clock for the amplifier 1. This clock source is necessary to start the conversion on the amplified channel.

Table 18-11. AMP1 Clock Source Selection

AMP1TS2	AMP1TS1	AMP1TS0	Clock Source
0	0	0	ADC clock/8
0	0	1	Timer/Counter0 compare match
0	1	0	Timer/Counter0 overflow
0	1	1	Timer/Counter1 compare match B
1	0	0	Timer/Counter1 overflow
1	0	1	PSC module 0 synchronization signal (PSS0)
1	1	0	PSC module 1 synchronization signal (PSS1)
1	1	1	PSC module 2 synchronization signal (PSS2)

18.11.3 Amplifier 2 Control and Status Register – AMP2CSR

Bit	7	6	5	4	3	2	1	0	
	AMP2EN	AMP2IS	AMP2G1	AMP2G0	AMPCMP2	AMP2TS2	AMP2TS1	AMP2TS0	AMP2CSR
Read/Write	R/W	R/W	R/W	R/W	R/W	R/W	R/W	R/W	
Initial Value	0	0	0	0	0	0	0	0	

- **Bit 7 – AMP2EN: Amplifier 2 Enable Bit**

Set this bit to enable the Amplifier 2.

Clear this bit to disable the Amplifier 2.

Clearing this bit while a conversion is running will take effect at the end of the conversion.

Warning: Always clear AMP2TS0:1 when clearing AMP2EN.

- **Bit 6 – AMP2IS: Amplifier 2 Input Shunt**

Set this bit to short-circuit the Amplifier 2 input.

Clear this bit to normally use the Amplifier 2.

- **Bit 5, 4 – AMP2G1, 0: Amplifier 2 Gain Selection Bits**

These 2 bits determine the gain of the amplifier 2.

The different setting are shown in [Table 18-12](#).

Table 18-12. Amplifier 2 Gain Selection

AMP2G1	AMP2G0	Description
0	0	Gain 5
0	1	Gain 10
1	0	Gain 20
1	1	Gain 40

To ensure an accurate result, after the gain value has been changed, the amplifier input needs to have a quite stable input value during at least 4 Amplifier synchronization clock periods.

- **Bit 3 – AMPCMP2: Amplifier 2 - Comparator 2 connection**

Set this bit to connect the amplifier 2 to the comparator 2 positive input. In this configuration the comparator clock is twice the amplifier clock. Clear this bit to normally use the Amplifier 2.

- **Bit 2:0 – AMP2TS2,AMP2TS1, AMP2TS0: Amplifier 2 Clock Source Selection Bits**

In accordance with [Table 18-13 on page 221](#), these 3 bits select the event which will generate the clock for the amplifier 1. This clock source is necessary to start the conversion on the amplified channel.

Table 18-13. AMP1 Clock Source Selection

AMP2TS2	AMP2TS1	AMP2TS0	Clock Source
0	0	0	ADC clock/8
0	0	1	Timer/Counter0 compare match
0	1	0	Timer/Counter0 overflow
0	1	1	Timer/Counter1 compare match B
1	0	0	Timer/Counter1 overflow
1	0	1	PSC module 0 synchronization signal (PSS0)
1	1	0	PSC module 1 synchronization signal (PSS1)
1	1	1	PSC module 2 synchronization signal (PSS2)

19. ISRC - Current Source

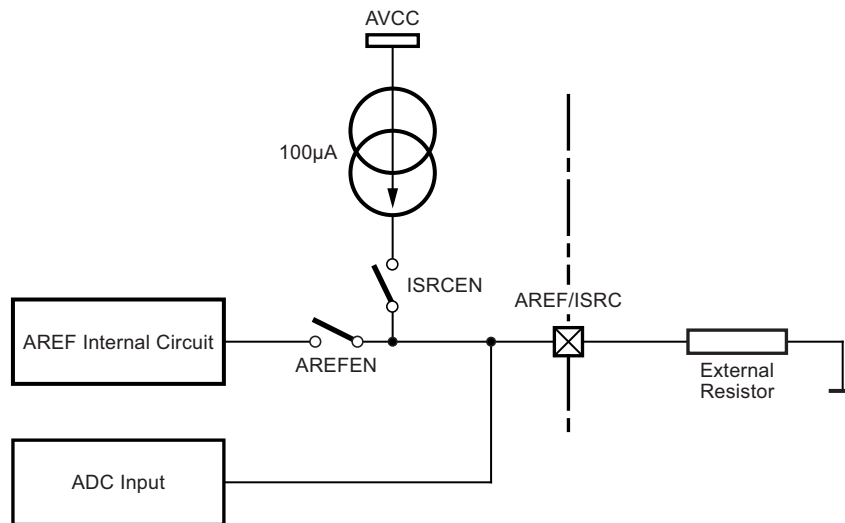
19.1 Features

- 100 μ A constant current source
- $\pm 6\%$ absolute accuracy

The ATmega16/32/64/M1/C1 features a 100 μ A $\pm 5\%$ current source. After RESET or up on request, the current is flowing through an external resistor. The voltage can be measured on the dedicated pin shared with the ADC. Using a resistor in series with a $\leq 0.5\%$ tolerance is recommended. To protect the device against big values, the ADC must be configured with AVcc as internal reference to perform the first measurement. Afterwards, another internal reference can be chosen according to the previous measured value to refine the result.

When ISRCEN bit is set, the ISRC pin sources 100 μ A. Otherwise this pin keeps its initial function.

Figure 19-1. Current Source Block Diagram



19.2 Typical Applications

19.2.1 LIN Current Source

During the configuration of a LIN node in a cluster, it may be necessary to attribute dynamically an unique physical address to every cluster node. The way to do it is not described in the LIN protocol.

The Current Source offers an excellent solution to associate a physical address to the application supported by the LIN node. A full dynamic node configuration can be used to set-up the LIN nodes in a cluster.

ATmega16/32/64/M1/C1 proposes to have an external resistor used in conjunction with the current source. The device measures the voltage to the boundaries of the resistance via the analog to digital converter. The resulting voltage defines the physical address that the communication handler will use when the node will participate in LIN communication.

In automotive applications, distributed voltages are very disturbed. The internal Current Source solution of ATmega16/32/64/M1/C1 immunizes the address detection against any kind of voltage variations.

Table 19-1. Example of Resistor Values ($\pm 5\%$) for a 8-address System ($AV_{CC} = 5V^{(1)}$)

Physical Address	Resistor Value R_{load} (Ohm)	Typical Measured Voltage (V)	Minimum Reading with a 2.56V ref	Typical Reading with a 2.56V ref	Maximum Reading with a 2.56V ref
0	1 000	0.1		40	
1	2 200	0.22		88	
2	3 300	0.33		132	
3	4 700	0.47		188	
4	6 800	0.68		272	
5	10 000	1		400	
6	15 000	1.5		600	
7	22 000	2.2		880	

Table 19-2. Example of Resistor Values ($\pm 1\%$) for a 16-address System ($AV_{CC} = 5V^{(1)}$)

Physical Address	Resistor Value R_{load} (Ohm)	Typical Measured Voltage (V)	Minimum Reading with a 2.56V ref	Typical Reading with a 2.56V ref	Maximum Reading with a 2.56V ref
0	1 000	0.1	38	40	45
1	1 200	0.12	46	48	54
2	1500	0.15	57	60	68
3	1800	0.18	69	72	81
4	2200	0.22	84	88	99
5	2700	0.27	104	108	122
6	3300	0.33	127	132	149
7	4700	0.47	181	188	212
8	6 800	0.68	262	272	306
9	8 200	0.82	316	328	369
10	10 000	1.0	386	400	450
11	12 000	1.2	463	480	540
12	15 000	1.5	579	600	675
13	18 000	1.8	694	720	810
14	22 000	2.2	849	880	989
15	27 000	2.7	1023	1023	1023

Note: 1. 5V range: Max R_{load} 30K Ω
 3V range: Max R_{load} 15K Ω

19.2.2 Current Source for Low Cost Transducer

An external transducer based on variable resistor can be connected to the current source. This can be for instance:

- A thermistor, or temperature-sensitive resistor, used as a temperature sensor
- A CdS photoconductive cell, or luminosity-sensitivity resistor, used as a luminosity sensor.

Using the current source with this type of transducer eliminates the need for additional parts otherwise required in resistor network or Wheatstone bridge.

19.2.3 Voltage Reference for External Devices

An external resistor used in conjunction with the current source can be used as voltage reference for external devices. Using a resistor in series with a lower tolerance than the current source accuracy ($\leq 2\%$) is recommended. [Table 19-2](#) gives an example of voltage references using standard values of resistors.

19.2.4 Threshold Reference for Internal analog comparator

An external resistor used in conjunction with the Current Source can be used as threshold reference for internal analog comparator (see [Section 20. “Analog Comparator” on page 225](#)). This can be connected to AIN0 (negative analog compare input pin) as well as AIN1 (positive analog compare input pin). Using a resistor in series with a lower tolerance than the current source accuracy ($\leq 2\%$) is recommended. [Table 19-2](#) gives an example of threshold references using standard values of resistors.

19.3 Control Register

19.3.1 ADC control and status register B– ADCSRB

Bit	7	6	5	4	3	2	1	0	
	ADHSM	ISRCEN	AREFEN	-	ADTS3	ADTS2	ADTS1	ADTS0	ADCSRB
Read/Write	R/W	R/W	R/W	R	R/W	R/W	R/W	R/W	
Initial Value	0	0	0	0	0	0	0	0	

- **Bit 6 – ISRCEN: Current Source Enable**

Set this bit to source a 100 μ A current to the AREF pin.
Clear this bit to disconnect.

- **Bit 5 – AREFEN: Analog Reference pin Enable**

Set this bit to connect the internal AREF circuit to the AREF pin.
Clear this bit to disconnect the internal AREF circuit from the AREF pin.

20. Analog Comparator

The analog comparator compares the input values on the positive pin ACMPx and negative pin ACMPM or ACMPMx.

20.1 Features

- 4 analog comparators
- High-speed clocked comparators
- 4 reference levels
- Generation of configurable interrupts

20.2 Overview

The ATmega16/32/64/M1/C1 features 4 fast analog comparators.

Each comparator has a dedicated input on the positive input, and the negative input of each comparator can be configured as:

- a steady value among the 4 internal reference levels defined by the Vref selected thanks to the REFS1:0 bits in ADMUX register.
- a value generated from the internal DAC
- an external analog input ACMPMx.

When the voltage on the positive ACMPn pin is higher than the voltage selected by the ACnM multiplexer on the negative input, the analog comparator output, ACnO, is set.

The comparator is a clocked comparator. The comparators can run with a clock frequency of up to 16MHz (typical value) when the supply voltage is in the 4.5V-5.5V range and with a clock frequency of up to 8MHz (typical value) otherwise.

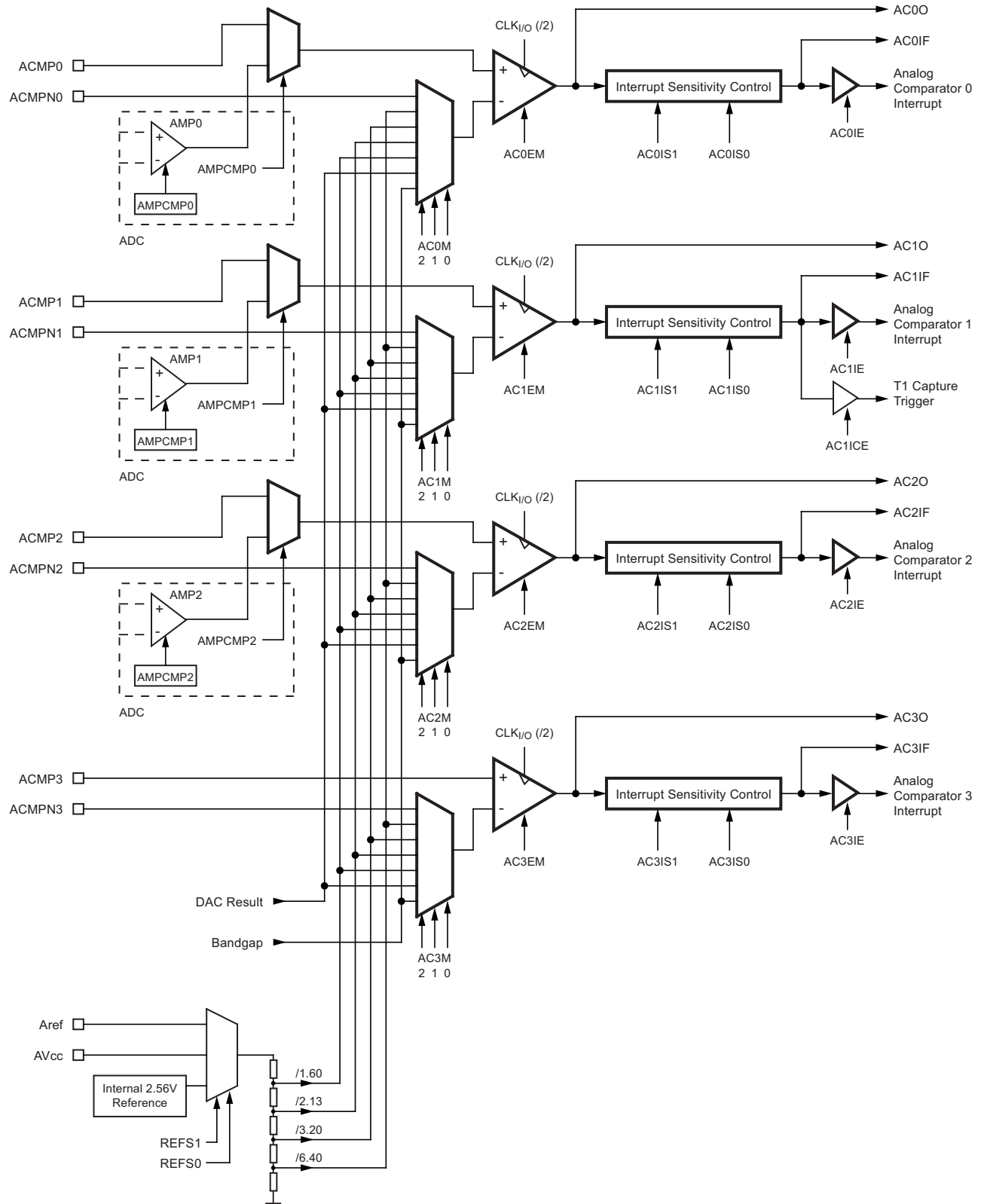
Each comparator can trigger a separate interrupt, exclusive to the analog comparator. In addition, the user can select Interrupt triggering on comparator output rise, fall or toggle.

The interrupt flags can also be used to synchronize ADC or DAC conversions.

Moreover, the comparator's output of the comparator 1 can be set to trigger the Timer/Counter1 Input Capture function.

A block diagram of the four comparators and their surrounding logic is shown in [Figure 20-1 on page 226](#).

Figure 20-1. Analog Comparator Block Diagram⁽¹⁾⁽²⁾



- Notes:
1. ADC multiplexer output: see [Table 18-5 on page 211](#).
 2. Refer to [Figure 1-1 on page 3](#) and for analog comparator pin placement.
 3. The voltage on Vref is defined in [18-4 "ADC Voltage Reference Selection" on page 210](#)

20.3 Use of ADC Amplifiers

Thanks to AMPCMP0 configuration bit, comparator 0 positive input can be connected to amplifier 0 output. In that case, the clock of comparator 0 is twice the amplifier 0 clock. See [Section 18.11.1 “Amplifier 0 control and status register – AMP0CSR” on page 218](#).

Thanks to AMPCMP1 configuration bit, comparator 1 positive input can be connected to amplifier 1 output. In that case, the clock of comparator 1 is twice the amplifier 1 clock. See [Section 18.11.2 “Amplifier 1 Control and Status Register – AMP1CSR” on page 219](#).

Thanks to AMPCMP2 configuration bit, comparator 2 positive input can be connected to amplifier 2 output. In that case, the clock of comparator 2 is twice the amplifier 2 clock. See [Section 18.11.2 “Amplifier 1 Control and Status Register – AMP1CSR” on page 219](#).

20.4 Analog Comparator Register Description

Each analog comparator has its own control register.

A dedicated register has been designed to consign the outputs and the flags of the 4 analog comparators.

20.4.1 Analog Comparator 0 Control Register – AC0CON

Bit	7	6	5	4	3	2	1	0	
	AC0EN	AC0IE	AC0IS1	AC0IS0	ACCKSEL	AC0M2	AC0M1	AC0M0	AC0CON
Read/Write	R/W	R/W	R/W	R/W	R/W	R/W	R/W	R/W	
Initial Value	0	0	0	0	0	0	0	0	

- **Bit 7– AC0EN: analog comparator 0 Enable Bit**

Set this bit to enable the analog comparator 0.

Clear this bit to disable the analog comparator 0.

- **Bit 6– AC0IE: analog comparator 0 Interrupt Enable bit**

Set this bit to enable the analog comparator 0 interrupt.

Clear this bit to disable the analog comparator 0 interrupt.

- **Bit 5, 4– AC0IS1, AC0IS0: analog comparator 0 Interrupt Select bit**

These 2 bits determine the sensitivity of the interrupt trigger.

The different setting are shown in [Table 18-7](#).

Table 20-1. Interrupt Sensitivity Selection

AC0IS1	AC0IS0	Description
0	0	Comparator interrupt on output toggle
0	1	Reserved
1	0	Comparator interrupt on output falling edge
1	1	Comparator interrupt on output rising edge

- **Bit 3 – ACCKSEL: Analog Comparator Clock Select**

Set this bit to use the 16MHz PLL output as comparator clock. Clear this bit to use the CLK_{IO} as comparator clock.

- **Bit 2, 1, 0– AC0M2, AC0M1, AC0M0: Analog Comparator 0 Multiplexer Register**

These 3 bits determine the input of the negative input of the analog comparator.

The different setting are shown in [Table 20-2 on page 228](#).

Table 20-2. Analog Comparator 0 Negative Input Selection

AC0M2	AC0M1	AC0M0	Description
0	0	0	"Vref"/6.40
0	0	1	"Vref"/3.20
0	1	0	"Vref"/2.13
0	1	1	"Vref"/1.60
1	0	0	Bandgap (1.1V)
1	0	1	DAC result
1	1	0	Analog comparator negative input (ACMPM pin)
1	1	1	Reserved

20.4.2 Analog Comparator 1 Control Register – AC1CON

Bit	7	6	5	4	3	2	1	0	
	AC1EN AC1IE AC1IS1 AC1IS0 AC1ICE AC1M2 AC1M1 AC1M0								AC1CON
Read/Write	R/W	R/W	R/W	R/W	R/W	R/W	R/W	R/W	R/W
Initial Value	0	0	0	0	0	0	0	0	

- **Bit 7– AC1EN: Analog Comparator 1 Enable Bit**

Set this bit to enable the analog comparator 1.
Clear this bit to disable the analog comparator 1.

- **Bit 6– AC1IE: Analog Comparator 1 Interrupt Enable bit**

Set this bit to enable the analog comparator 1 interrupt.
Clear this bit to disable the analog comparator 1 interrupt.

- **Bit 5, 4– AC1IS1, AC1IS0: Analog Comparator 1 Interrupt Select bit**

These 2 bits determine the sensitivity of the interrupt trigger.
The different settings are shown in [Table 18-7](#).

Table 20-3. Interrupt Sensitivity Selection

AC1IS1	AC1IS0	Description
0	0	Comparator Interrupt on output toggle
0	1	Reserved
1	0	Comparator interrupt on output falling edge
1	1	Comparator interrupt on output rising edge

- **Bit 3– AC1ICE: analog comparator 1 Interrupt Capture Enable bit**

Set this bit to enable the input capture of the Timer/Counter1 on the analog comparator event. The comparator output is in this case directly connected to the input capture front-end logic, making the comparator utilize the noise canceler and edge select features of the Timer/Counter1 input capture interrupt. To make the comparator trigger the Timer/Counter1 input capture interrupt, the ICIE1 bit in the timer interrupt mask register (TIMSK1) must be set.

In case ICES1 bit ([Section 13.10.2 “Timer/Counter1 Control Register B – TCCR1B” on page 112](#)) is set high, the rising edge of AC1O is the capture/trigger event of the Timer/Counter1, in case ICES1 is set to zero, it is the falling edge which is taken into account.

Clear this bit to disable this function. In this case, no connection between the analog comparator and the input capture function exists.

- **Bit 2, 1, 0– AC1M2, AC1M1, AC1M0: analog comparator 1 Multiplexer register**

These 3 bits determine the input of the negative input of the analog comparator.
The different settings are shown in [Table 20-4 on page 229](#).

Table 20-4. Analog Comparator 1 Negative Input Selection

AC1M2	AC1M1	AC1M0	Description
0	0	0	"Vref"/6.40
0	0	1	"Vref"/3.20
0	1	0	"Vref"/2.13
0	1	1	"Vref"/1.60
1	0	0	Bandgap (1.1V)
1	0	1	DAC result
1	1	0	Analog comparator Negative Input (ACMPM pin)
1	1	1	Reserved

20.4.3 Analog Comparator 2 Control Register – AC2CON

Bit	7	6	5	4	3	2	1	0	
	AC2EN	AC2IE	AC2IS1	AC2IS0	-	AC2M2	AC2M1	AC2M0	AC2CON
Read/Write	R/W	R/W	R/W	R/W	-	R/W	R/W	R/W	
Initial Value	0	0	0	0	0	0	0	0	

- **Bit 7– AC2EN: Analog Comparator 2 Enable Bit**

Set this bit to enable the analog comparator 2.
Clear this bit to disable the analog comparator 2.

- **Bit 6– AC2IE: Analog Comparator 2 Interrupt Enable Bit**

Set this bit to enable the analog comparator 2 interrupt.
Clear this bit to disable the analog comparator 2 interrupt.

- **Bit 5, 4– AC2IS1, AC2IS0: Analog Comparator 2 Interrupt Select Bit**

These 2 bits determine the sensitivity of the interrupt trigger.
The different settings are shown in [Table 18-7](#).

Table 20-5. Interrupt Sensitivity Selection

AC2IS1	AC2IS0	Description
0	0	Comparator Interrupt on output toggle
0	1	Reserved
1	0	Comparator interrupt on output falling edge
1	1	Comparator interrupt on output rising edge

Bit 3 – Res: Reserved Bit

This bit is an unused bit in the ATmega16/32/64/M1/C1, and will always read as zero.

- **Bit 2, 1, 0– AC2M2, AC2M1, AC2M0: analog comparator 2 Multiplexer register**

These 3 bits determine the input of the negative input of the analog comparator.
The different settings are shown in [Table 20-6 on page 230](#).

Table 20-6. Analog Comparator 2 Negative Input Selection

AC2M2	AC2M1	AC2M0	Description
0	0	0	“Vref”/6.40
0	0	1	“Vref”/3.20
0	1	0	“Vref”/2.13
0	1	1	“Vref”/1.60
1	0	0	Bandgap (1.1V)
1	0	1	DAC result
1	1	0	Analog comparator negative input (ACMPM pin)
1	1	1	Reserved

20.4.4 Analog Comparator 3 Control Register – AC3CON

Bit	7	6	5	4	3	2	1	0	
	AC3EN	AC3IE	AC3IS1	AC3IS0	-	AC3M2	AC3M1	AC3M0	AC3CON
Read/Write	R/W	R/W	R/W	R/W	-	R/W	R/W	R/W	
Initial Value	0	0	0	0	0	0	0	0	

- **Bit 7– AC3EN: Analog Comparator 3 Enable Bit**

Set this bit to enable the analog comparator 3.
Clear this bit to disable the analog comparator 3.

- **Bit 6– AC3IE: Analog Comparator 3 Interrupt Enable bit**

Set this bit to enable the analog comparator 3 interrupt.
Clear this bit to disable the analog comparator 3 interrupt.

- **Bit 5, 4– AC3IS1, AC3IS0: Analog Comparator 3 Interrupt Select bit**

These 2 bits determine the sensitivity of the interrupt trigger.
The different setting are shown in [Table 18-7](#).

Table 20-7. Interrupt Sensitivity Selection

AC3IS1	AC3IS0	Description
0	0	Comparator interrupt on output toggle
0	1	Reserved
1	0	Comparator interrupt on output falling edge
1	1	Comparator interrupt on output rising edge

- **Bit 3 – Res: Reserved Bit**

This bit is an unused bit in the ATmega16/32/64/M1/C1, and will always read as zero.

- **Bit 2, 1, 0– AC3M2, AC3M1, AC3M0: Analog Comparator 3 Multiplexer Register**

These 3 bits determine the input of the negative input of the analog comparator.
The different setting are shown in [Table 20-6](#).

Table 20-8. Analog Comparator 3 Negative Input Selection

AC3M2	AC3M1	AC3M0	Description
0	0	0	"Vref"/6.40
0	0	1	"Vref"/3.20
0	1	0	"Vref"/2.13
0	1	1	"Vref"/1.60
1	0	0	Bandgap (1.1V)
1	0	1	DAC result
1	1	0	Analog comparator Negative Input (ACMPM pin)
1	1	1	Reserved

20.4.5 Analog Comparator Status Register – ACSR

Bit	7	6	5	4	3	2	1	0	
	AC3IF	AC2IF	AC1IF	AC0IF	AC3O	AC2O	AC1O	AC0O	ACSR
Read/Write	R/W	R/W	R/W	R/W	R	R	R	R	
Initial Value	0	0	0	0	0	0	0	0	

- **Bit 7– AC3IF: Analog Comparator 3 Interrupt Flag Bit**

This bit is set by hardware when comparator 3 output event triggers off the interrupt mode defined by AC3IS1 and AC3IS0 bits in AC2CON register.

This bit is cleared by hardware when the corresponding interrupt vector is executed in case the AC3IE in AC3CON register is set. Anyway, this bit is cleared by writing a logical one on it.

This bit can also be used to synchronize ADC or DAC conversions.

- **Bit 6– AC2IF: Analog Comparator 2 Interrupt Flag Bit**

This bit is set by hardware when comparator 2 output event triggers off the interrupt mode defined by AC2IS1 and AC2IS0 bits in AC2CON register.

This bit is cleared by hardware when the corresponding interrupt vector is executed in case the AC2IE in AC2CON register is set. Anyway, this bit is cleared by writing a logical one on it.

This bit can also be used to synchronize ADC or DAC conversions.

- **Bit 5– AC1IF: Analog Comparator 1 Interrupt Flag Bit**

This bit is set by hardware when comparator 1 output event triggers off the interrupt mode defined by AC1IS1 and AC1IS0 bits in AC1CON register.

This bit is cleared by hardware when the corresponding interrupt vector is executed in case the AC1IE in AC1CON register is set. Anyway, this bit is cleared by writing a logical one on it.

This bit can also be used to synchronize ADC or DAC conversions.

- **Bit 4– AC0IF: Analog Comparator 0 Interrupt Flag Bit**

This bit is set by hardware when comparator 0 output event triggers off the interrupt mode defined by AC0IS1 and AC0IS0 bits in AC0CON register.

This bit is cleared by hardware when the corresponding interrupt vector is executed in case the AC0IE in AC0CON register is set. Anyway, this bit is cleared by writing a logical one on it.

This bit can also be used to synchronize ADC or DAC conversions.

- **Bit 3– AC3O: Analog Comparator 3 Output Bit**

AC3O bit is directly the output of the analog comparator 2.

Set when the output of the comparator is high.

Cleared when the output comparator is low.

- **Bit 2– AC2O: Analog Comparator 2 Output Bit**

AC2O bit is directly the output of the analog comparator 2.

Set when the output of the comparator is high.

Cleared when the output comparator is low.

- **Bit 1– AC10: Analog Comparator 1 Output Bit**

AC10 bit is directly the output of the analog comparator 1.
Set when the output of the comparator is high.
Cleared when the output comparator is low.

- **Bit 0– AC00: Analog Comparator 0 Output Bit**

AC00 bit is directly the output of the analog comparator 0.
Set when the output of the comparator is high.
Cleared when the output comparator is low.

20.4.6 Digital Input Disable Register 0 – DIDR0

Bit	7	6	5	4	3	2	1	0	
	ADC7D	ADC6D ACMPN1D AMP2ND	ADC5D ACMPN0D	ADC4D	ADC3D ACMPN2D	ADC2D ACMP2D	ADC1D	ADC0D ACMPN3D	DIDR0
Read/Write	R/W	R/W	R/W	R/W	R/W	R/W	R/W	R/W	
Initial Value	0	0	0	0	0	0	0	0	

- **Bit 6, 5, 3, 2, 0 – ACMPN1D, ACMPN0D, ACMPN2D, ACMP2D and ACMPN3D:
ACMPN1, ACMPN0, ACMPN2, ACMP2 and ACMPN3 Digital Input Disable**

When this bit is written logic one, the digital input buffer on the corresponding Analog pin is disabled. The corresponding PIN Register bit will always read as zero when this bit is set. When an analog signal is applied to one of these pins and the digital input from this pin is not needed, this bit should be written logic one to reduce power consumption in the digital input buffer.

20.4.7 Digital Input Disable Register 1– DIDR1

Bit	7	6	5	4	3	2	1	0	
	-	AMP2PD	ACMP0D	AMP0PD	AMP0ND	ADC10D ACMP1D	ADC9D AMP1PD ACMP3D	ADC8D AMP1ND	DIDR1
Read/Write	-	-	R/W	R/W	R/W	R/W	R/W	R/W	
Initial Value	0	0	0	0	0	0	0	0	

- **Bit 5, 2, 1: ACMP0D, ACMP1PD, ACMP3PD:
ACMP0, ACMP1P, ACMP3P Digital Input Disable**

When this bit is written logic one, the digital input buffer on the corresponding analog pin is disabled. The corresponding PIN Register bit will always read as zero when this bit is set. When an analog signal is applied to one of these pins and the digital input from this pin is not needed, this bit should be written logic one to reduce power consumption in the digital input buffer.

21. Digital to Analog Converter - DAC

21.1 Features

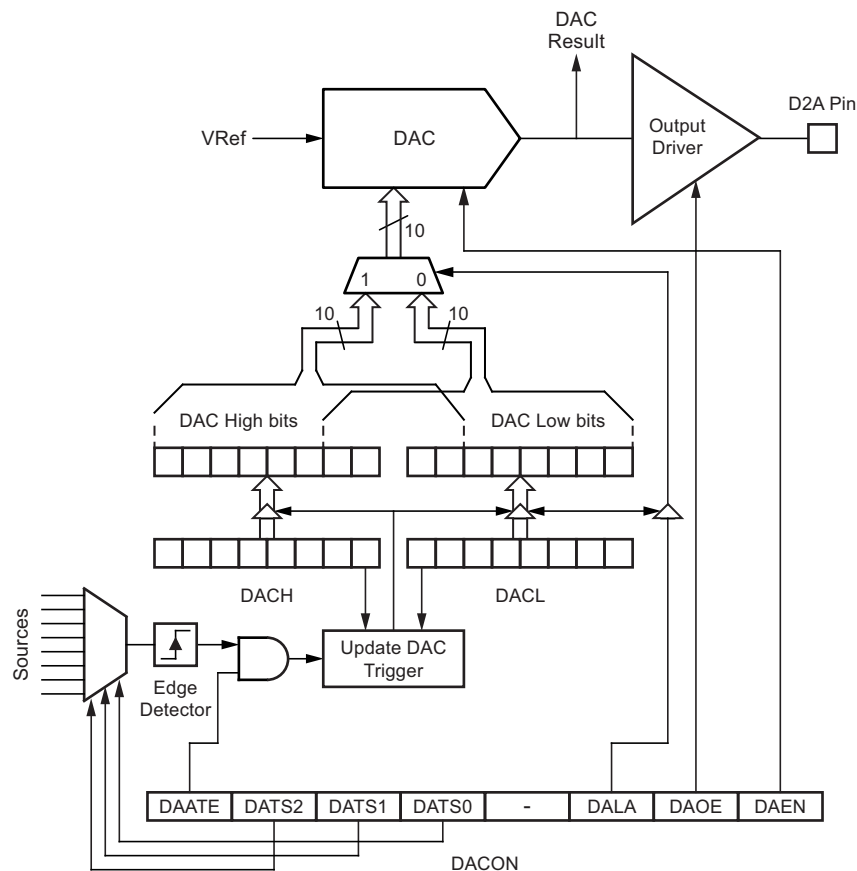
- 10 bits resolution
- 8 bits linearity
- ± 0.5 LSB accuracy between 150mV and $AV_{CC} - 150$ mV
- $V_{out} = DAC \times V_{ref}/1023$
- The DAC could be connected to the negative inputs of the analog comparators and/or to a dedicated output driver.
- The output impedance of the driver is around 100 Ω . So the driver is able to load a 1nF capacitance in parallel with a resistor higher than 33k Ω with a time constant around 1 μ s.

The ATmega16/32/64/M1/C1 features a 10-bit Digital to Analog Converter. This DAC can be used for the analog comparators and/or can be output on the D2A pin of the microcontroller via a dedicated driver.

The DAC has a separate analog supply voltage pin, AV_{CC} . AV_{CC} must not differ more than ± 0.3 V from V_{CC} . See [Section 18.6 “ADC Noise Canceler” on page 203](#) on how to connect this pin.

The reference voltage is the same as the one used for the ADC, see [Section 5.10.1 “Clock Prescaler Register – CLKPR” on page 33](#). These nominally 2.56V V_{ref} or AV_{CC} are provided On-chip. The voltage reference may be externally decoupled at the AREF pin by a capacitor for better noise performance.

Figure 21-1. Digital to Analog Converter Block Schematic



21.2 Operation

The digital to analog converter generates an analog signal proportional to the value of the DAC registers value.

In order to have an accurate sampling frequency control, there is the possibility to update the DAC input values through different trigger events.

21.3 Starting a Conversion

The DAC is configured thanks to the DACON register. As soon as the DAEN bit in DACON register is set, the DAC converts the value present on the DACH and DACL registers in accordance with the register DACON setting.

Alternatively, a conversion can be triggered automatically by various sources. Auto triggering is enabled by setting the DAC auto trigger enable bit, DAATE in DACON. The trigger source is selected by setting the DAC Trigger Select bits, DATS in DACON (See description of the DATS bits for a list of the trigger sources). When a positive edge occurs on the selected trigger signal, the DAC converts the value present on the DACH and DACL registers in accordance with the register DACON setting. This provides a method of starting conversions at fixed intervals.

If the trigger signal is still set when the conversion completes, a new conversion will not be started. If another positive edge occurs on the trigger signal during conversion, the edge will be ignored.

Note that an interrupt flag will be set even if the specific interrupt is disabled or the global interrupt enable bit in SREG is cleared. A conversion can thus be triggered without causing an interrupt. However, the interrupt flag must be cleared in order to trigger a new conversion at the next interrupt event.

21.3.1 DAC Voltage Reference

The reference voltage for the ADC (V_{REF}) indicates the conversion range for the DAC. V_{REF} can be selected as either AV_{CC} , internal 2.56V reference, or external AREF pin.

AV_{CC} is connected to the DAC through a passive switch. The internal 2.56V reference is generated from the internal bandgap reference (V_{BG}) through an internal amplifier. In either case, the external AREF pin is directly connected to the DAC, and the reference voltage can be made more immune to noise by connecting a capacitor between the AREF pin and ground. V_{REF} can also be measured at the AREF pin with a high impedant voltmeter. Note that V_{REF} is a high impedant source, and only a capacitive load should be connected in a system.

If the user has a fixed voltage source connected to the AREF pin, the user may not use the other reference voltage options in the application, as they will be shorted to the external voltage. If no external voltage is applied to the AREF pin, the user may switch between AV_{CC} and 2.56V as reference selection. The first DAC conversion result after switching reference voltage source may be inaccurate, and the user is advised to discard this result.

21.4 DAC Register Description

The DAC is controlled via three dedicated registers:

- The DACON register which is used for DAC configuration
- DACH and DACL which are used to set the value to be converted.

21.4.1 Digital to Analog Conversion Control Register – DACON

Bit	7	6	5	4	3	2	1	0	
	DAATE	DATS2	DATS1	DATS0	-	DALA	DAOE	DAEN	DACON
Read/Write	R/W	R/W	R/W	R/W	-	R/W	R/W	R/W	
Initial Value	0	0	0	0	0	0	0	0	

- **Bit 7 – DAATE: DAC Auto Trigger Enable bit**

Set this bit to update the DAC input value on the positive edge of the trigger signal selected with the DACTS2-0 bit in DACON register. Clear it to automatically update the DAC input when a value is written on DACH register.

- **Bit 6:4 – DATS2, DATS1, DATS0: DAC Trigger Selection bits**

These bits are only necessary in case the DAC works in auto trigger mode. It means if DAATE bit is set.

In accordance with the [Table 18-7 on page 213](#), these 3 bits select the interrupt event which will generate the update of the DAC input values. The update will be generated by the rising edge of the selected interrupt flag whether the interrupt is enabled or not.

Table 21-1. DAC Auto Trigger Source Selection

DATS2	DATS1	DATS0	Description
0	0	0	Analog comparator 0
0	0	1	Analog comparator 1
0	1	0	External interrupt request 0
0	1	1	Timer/Counter0 compare match
1	0	0	Timer/Counter0 overflow
1	0	1	Timer/Counter1 compare match B
1	1	0	Timer/Counter1 overflow
1	1	1	Timer/Counter1 capture event

- **Bit 2 – DALA: Digital to Analog Left Adjust**

Set this bit to left adjust the DAC input data.

Clear it to right adjust the DAC input data.

The DALA bit affects the configuration of the DAC data registers. Changing this bit affects the DAC output on the next DACH writing.

- **Bit 1 – DAOE: Digital to Analog Output Enable bit**

Set this bit to output the conversion result on D2A,

Clear it to use the DAC internally.

- **Bit 0 – DAEN: Digital to Analog Enable bit**

Set this bit to enable the DAC,

Clear it to disable the DAC.

21.4.2 Digital to Analog Converter input Register – DACH and DACL

When the DAC is used with a 10-bit output value, the value is written into the 16-bit register pair DACH:DACL as two separate 8-bit writes. As such the DAC value should be written first the low byte to DACL followed by the high byte value to DACH. Only when the DACH register is written is the DAC value updated.

If you choose to use the DAC in left-adjust 8-bit mode then a single write to the DACH register with the 8-bit value will suffice to update the DAC.

21.4.2.1 DALA = 0

Bit	7	6	5	4	3	2	1	0	
	-	-	-	-	-	-	DAC9	DAC8	DACH
	DAC7	DAC6	DAC5	DAC4	DAC3	DAC2	DAC1	DAC0	DACL
Read/Write	R/W	R/W	R/W	R/W	R/W	R/W	R/W	R/W	
	R/W	R/W	R/W	R/W	R/W	R/W	R/W	R/W	
Initial Value	0	0	0	0	0	0	0	0	
	0	0	0	0	0	0	0	0	

21.4.2.2 DALA = 1

Bit	7	6	5	4	3	2	1	0	
	DAC9	DAC8	DAC7	DAC6	DAC5	DAC4	DAC3	DAC2	DACH
	DAC1	DAC0	-	-	-	-	-	-	DACL
Read/Write	R/W	R/W	R/W	R/W	R/W	R/W	R/W	R/W	
	R/W	R/W	R/W	R/W	R/W	R/W	R/W	R/W	
Initial Value	0	0	0	0	0	0	0	0	
	0	0	0	0	0	0	0	0	

To work with the 10-bit DAC, two registers have to be updated. In order to avoid intermediate value, the DAC input values which are really converted into analog signal are buffered into unreachable registers. In normal mode, the update of the shadow register is done when the register DACH is written.

In case DAATE bit is set, the DAC input values will be updated on the trigger event selected through DATS bits.

In order to avoid wrong DAC input values, the update can only be done after having written respectively DAAC and DACH registers. It is possible to work on 8-bit configuration by only writing the DACH value. In this case, update is done each trigger event.

In case DAATE bit is cleared, the DAC is in an automatic update mode. Writing the DACH register automatically update the DAC input values with the DACH and DAAC register values.

It means that whatever is the configuration of the DAATE bit, changing the DAAC register has no effect on the DAC output until the DACH register has also been updated. So, to work with 10 bits, DAAC must be written first before DACH. To work with 8-bit configuration, writing DACH allows the update of the DAC.

22. Analog Feature Considerations

22.1 Purpose

The ATmega16/32/64/M1/C1 features several analog features such as ADC, DAC, Amplifiers, Comparators...

The purpose of this section is to describe the interaction between these features. This section explains how to set the specific registers to get the system running.

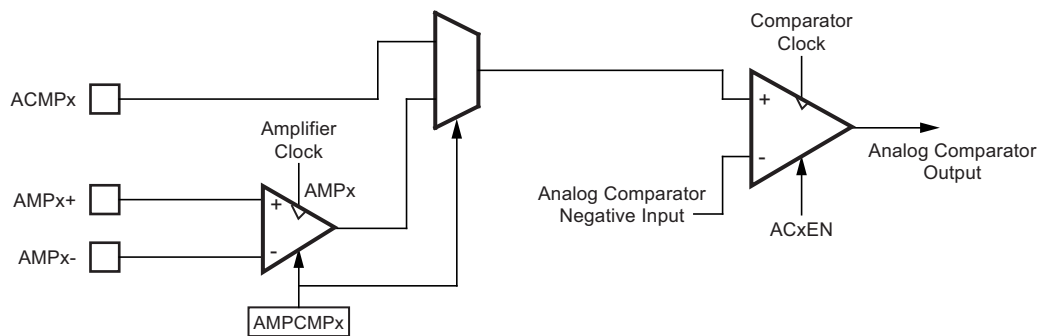
Particularly the different peripheral clocks can interfere together, so special care has to be considered.

22.2 Use of an Amplifier as Comparator Input

The internal amplifiers provide differential amplification for ADC converter. To allow signed result with the ADC, the output level of the amplifiers is shifted up with a $V_{ref}/2$ voltage.

For this reason, when used with a comparator, a $V_{ref}/2$ voltage is added to the voltage of the amplifier outputs.

Figure 22-1. Amplifier and Comparator

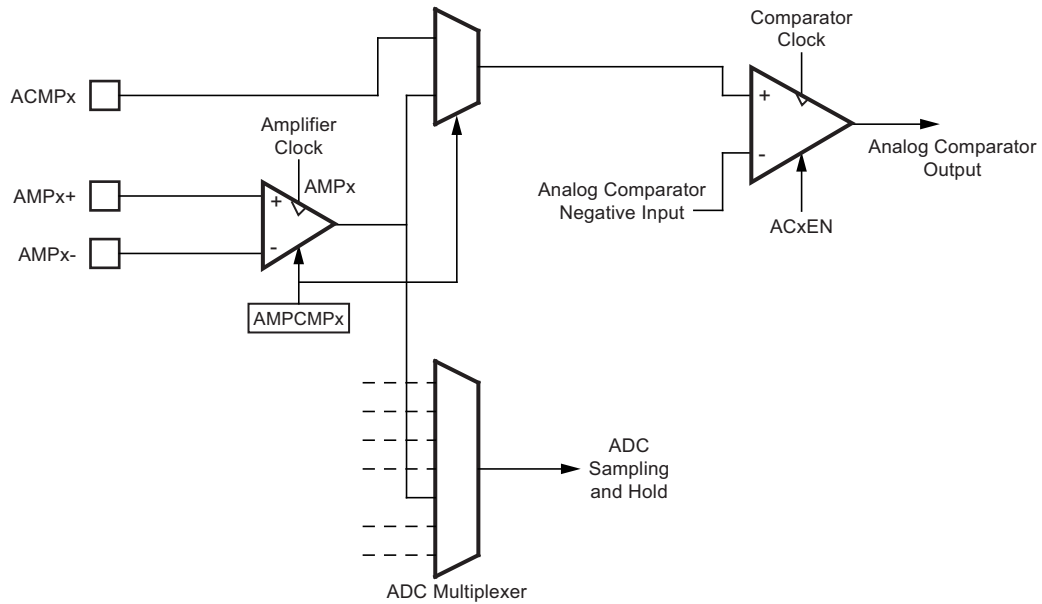


The amplifier clock comes from the ADC and is equal to the ADC Clock divided by 8.

22.3 Use of an Amplifier as Comparator Input and ADC Input

The amplifier can be used as ADC input while it is used as comparator input. In that case, each time the amplifier is selected as ADC input, the sampling and hold circuit of the ADC loads the amplifier output. It results a decrease of the amplifier output voltage which can toggle the comparator output.

Figure 22-2. Amplifier, Comparator and ADC



22.4 Analog Peripheral Clock Sources

22.4.1 ADC Clock

The ADC clock comes from the clock system (CLKio) and it is divided by the ADC Prescaler. See [Section 18-6 “ADC Prescaler Selection” on page 212](#). The bits described in the ADC Prescaler Selection determine the division factor between the system clock frequency and input clock of the ADC.

See [Section 18.4 “Prescaling and Conversion Timing” on page 200](#) for a complete description of the ADC clock system.

22.4.2 Comparator Clock

While it is not connected to an amplifier, a comparator is clocked by the comparator clock which is configured thanks to the ACCKSEL bit in AC0CON register, see [Section 20.4.1 “Analog Comparator 0 Control Register – AC0CON” on page 227](#). One can select between the 16MHz PLL output and the CLKio.

When it is connected to an amplifier, a comparator is clocked by twice the amplifier clock.

22.4.3 Amplifier Clock

When the amplifier uses the ADC clock, this clock is divided by 8. This insures a maximum frequency of 250kHz for the amplifier when the ADC clock is 2MHz. When the ADC is clocked with a frequency higher than 2MHz the amplifier cannot be clocked by the ADC clock.

See [Section 18.10 “Amplifier” on page 214](#) for a complete description of the Amplifier clock system.

23. debugWIRE On-chip Debug System

23.1 Features

- Complete program flow control
- Emulates all on-chip functions, both digital and analog, except RESET pin
- Real-time operation
- Symbolic debugging support (both at C and assembler source level, or for other HLLs)
- Unlimited number of program break points (using software break points)
- Non-intrusive operation
- Electrical characteristics identical to real device
- Automatic configuration system
- High-speed operation
- Programming of non-volatile memories

23.2 Overview

The debugWIRE on-chip debug system uses a one-wire, bi-directional interface to control the program flow, execute AVR[®] instructions in the CPU and to program the different non-volatile memories.

23.3 Physical Interface

When the debugWIRE Enable (DWEN) Fuse is programmed and Lock bits are unprogrammed, the debugWIRE system within the target device is activated. The RESET port pin is configured as a wire-AND (open-drain) bi-directional I/O pin with pull-up enabled and becomes the communication gateway between target and emulator.

Figure 23-1. The debugWIRE Setup

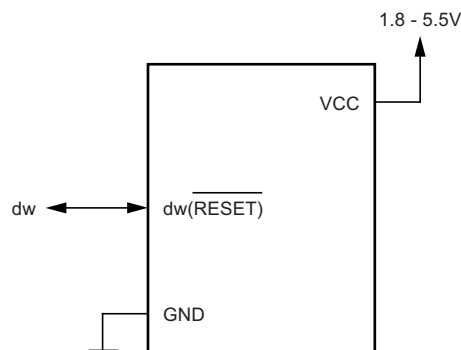


Figure 23-1 shows the schematic of a target MCU, with debugWIRE enabled, and the emulator connector. The system clock is not affected by debugWIRE and will always be the clock source selected by the CKSEL Fuses.

When designing a system where debugWIRE will be used, the following observations must be made for correct operation:

- Pull-up resistors on the $\overline{dw}/(\overline{RESET})$ line must not be smaller than 10k Ω . The pull-up resistor is not required for debugWIRE functionality.
- Connecting the RESET pin directly to V_{CC} will not work.
- Capacitors connected to the RESET pin must be disconnected when using debugWIRE.
- All external reset sources must be disconnected.

23.4 Software Break Points

debugWIRE supports program memory break points by the AVR[®] break instruction. Setting a break point in AVR Studio[®] will insert a BREAK instruction in the program memory. The instruction replaced by the BREAK instruction will be stored. When program execution is continued, the stored instruction will be executed before continuing from the program memory. A break can be inserted manually by putting the BREAK instruction in the program.

The flash must be re-programmed each time a break point is changed. This is automatically handled by AVR Studio through the debugWIRE interface. The use of break points will therefore reduce the flash data retention. Devices used for debugging purposes should not be shipped to end customers.

23.5 Limitations of debugWIRE

The debugWIRE communication pin (dW) is physically located on the same pin as external reset (RESET). An external reset source is therefore not supported when the debugWIRE is enabled.

The debugWIRE system accurately emulates all I/O functions when running at full speed, i.e., when the program in the CPU is running. When the CPU is stopped, care must be taken while accessing some of the I/O registers via the debugger (AVR Studio).

A programmed DWEN fuse enables some parts of the clock system to be running in all sleep modes. This will increase the power consumption while in sleep. Thus, the DWEN Fuse should be disabled when debugWire is not used.

23.6 debugWIRE Related Register in I/O Memory

The following section describes the registers used with the debugWire.

23.6.1 debugWire Data Register – DWDR

Bit	7	6	5	4	3	2	1	0	
	DWDR[7:0]								DWDR
Read/Write	R/W	R/W	R/W	R/W	R/W	R/W	R/W	R/W	
Initial Value	0	0	0	0	0	0	0	0	

The DWDR register provides a communication channel from the running program in the MCU to the debugger. This register is only accessible by the debugWIRE and can therefore not be used as a general purpose register in the normal operations.

24. Boot Loader Support – Read-while-write Self-Programming ATmega16/32/64/M1/C1

In ATmega16/32/64/M1/C1, the boot loader support provides a real read-while-write self-programming mechanism for downloading and uploading program code by the MCU itself. This feature allows flexible application software updates controlled by the MCU using a flash-resident boot loader program. The boot loader program can use any available data interface and associated protocol to read code and write (program) that code into the Flash memory, or read the code from the program memory. The program code within the boot loader section has the capability to write into the entire flash, including the boot loader memory. The boot loader can thus even modify itself, and it can also erase itself from the code if the feature is not needed anymore. The size of the boot loader memory is configurable with fuses and the boot loader has two separate sets of boot lock bits which can be set independently. This gives the user a unique flexibility to select different levels of protection.

24.1 Boot Loader Features

- Read-while-write self-programming
- Flexible boot memory size
- High security (separate boot lock bits for a flexible protection)
- Separate fuse to select reset vector
- Optimized page⁽¹⁾ size
- Code efficient algorithm
- Efficient read-modify-write support

Note: 1. A page is a section in the flash consisting of several bytes (see [Table 25-12 on page 260](#)) used during programming. The page organization does not affect normal operation.

24.2 Application and Boot Loader Flash Sections

The flash memory is organized in two main sections, the application section and the boot loader section (see [Figure 24-2 on page 243](#)). The size of the different sections is configured by the BOOTSZ fuses as shown in [Table 24-7 on page 251](#) and [Figure 24-2 on page 243](#). These two sections can have different level of protection since they have different sets of lock bits.

24.2.1 Application Section

The application section is the section of the Flash that is used for storing the application code. The protection level for the application section can be selected by the application boot lock bits (boot lock bits 0), see [Table 24-2 on page 244](#). The application section can never store any boot loader code since the SPM instruction is disabled when executed from the application section.

24.2.2 BLS – Boot Loader Section

While the application section is used for storing the application code, the The boot loader software must be located in the BLS since the SPM instruction can initiate a programming when executing from the BLS only. The SPM instruction can access the entire flash, including the BLS itself. The protection level for the boot loader section can be selected by the boot loader lock bits (boot lock bits 1), see [Table 24-3 on page 244](#).

24.3 Read-while-write and no Read-while-write Flash Sections

Whether the CPU supports read-while-write or if the CPU is halted during a Boot Loader software update is dependent on which address that is being programmed. In addition to the two sections that are configurable by the BOOTSZ Fuses as described above, the flash is also divided into two fixed sections, the read-while-write (RWW) section and the no read-while-write (NRWW) section. The limit between the RWW- and NRWW sections is given in [Table 24-8 on page 252](#) and [Figure 24-2 on page 243](#). The main difference between the two sections is:

- When erasing or writing a page located inside the RWW section, the NRWW section can be read during the operation.
- When erasing or writing a page located inside the NRWW section, the CPU is halted during the entire operation.

Note that the user software can never read any code that is located inside the RWW section during a boot loader software operation. The syntax “Read-while-write section” refers to which section that is being programmed (erased or written), not which section that actually is being read during a boot loader software update.

24.3.1 RWW – Read-while-write Section

If a boot loader software update is programming a page inside the RWW section, it is possible to read code from the flash, but only code that is located in the NRWW section. During an on-going programming, the software must ensure that the RWW section never is being read. If the user software is trying to read code that is located inside the RWW section (i.e., by a call/jmp/lpm or an interrupt) during programming, the software might end up in an unknown state. To avoid this, the interrupts should either be disabled or moved to the boot loader section. The boot loader section is always located in the NRWW section. The RWW section busy bit (RWWWSB) in the store program memory control and status register (SPMCSR) will be read as logical one as long as the RWW section is blocked for reading. After a programming is completed, the RWWWSB must be cleared by software before reading code located in the RWW section. See [Section 24.5.1 “Store Program Memory Control and Status Register – SPMCSR” on page 244](#) for details on how to clear RWWWSB.

24.3.2 NRWW – No Read-while-write Section

The code located in the NRWW section can be read when the boot loader software is updating a page in the RWW section. When the boot loader code updates the NRWW section, the CPU is halted during the entire page erase or page write operation.

Table 24-1. Read-while-write Features

Which Section does the Z-pointer Address during the Programming?	Which Section Can be Read during Programming?	Is the CPU Halted?	Read-while-write Supported?
RWW section	NRWW section	No	Yes
NRWW section	None	Yes	No

Figure 24-1. Read-while-write versus No Read-while-write

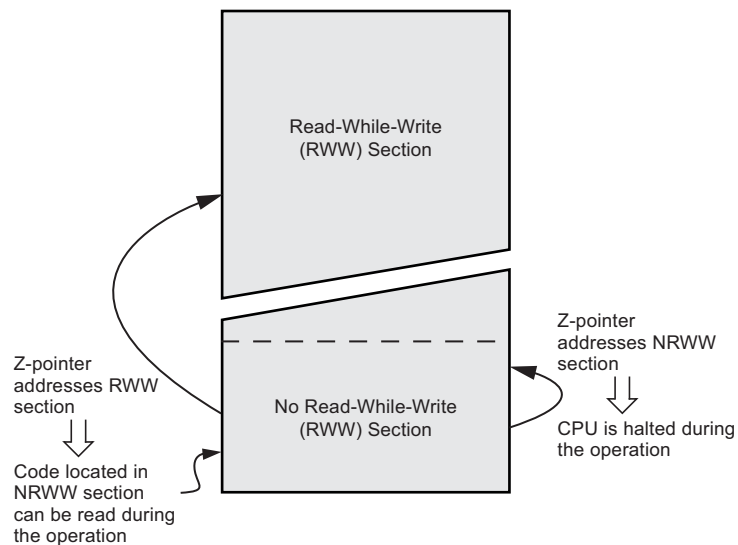
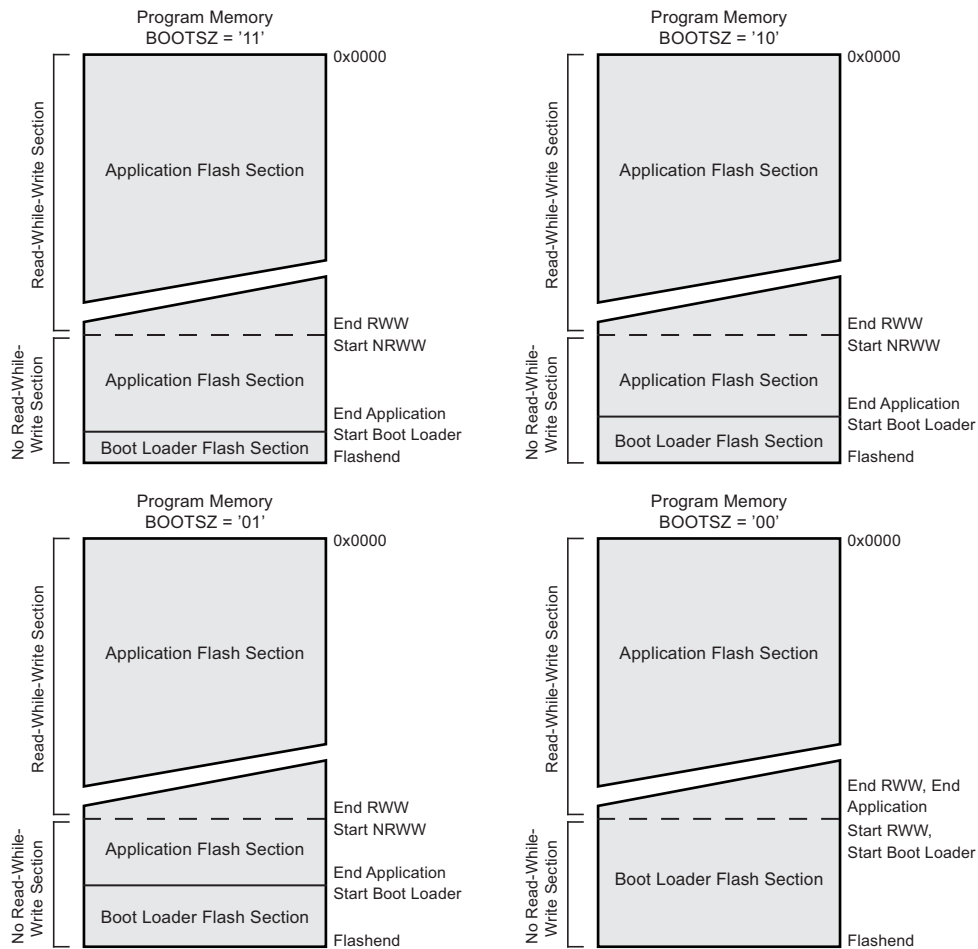


Figure 24-2. Memory Sections



Note: 1. The parameters in the figure above are given in [Table 24-7 on page 251](#).

24.4 Boot Loader Lock Bits

If no boot loader capability is needed, the entire flash is available for application code. The boot loader has two separate sets of Boot Lock bits which can be set independently. This gives the user a unique flexibility to select different levels of protection.

The user can select:

- To protect the entire flash from a software update by the MCU.
- To protect only the boot loader flash section from a software update by the MCU.
- To protect only the application flash section from a software update by the MCU.
- Allow software update in the entire flash.

See [Table 24-2](#) and [Table 24-3 on page 244](#) for further details. The boot lock bits can be set in software and in serial or parallel programming mode, but they can be cleared by a chip erase command only. The general write lock (lock bit mode 2) does not control the programming of the flash memory by SPM instruction. Similarly, the general Read/Write lock (lock bit mode 1) does not control reading nor writing by LPM/SPM, if it is attempted.

Table 24-2. Boot Lock Bit0 Protection Modes (Application Section)⁽¹⁾

BLB0 Mode	BLB02	BLB01	Protection
1	1	1	No restrictions for SPM or LPM accessing the application section.
2	1	0	SPM is not allowed to write to the application section.
3	0	0	SPM is not allowed to write to the application section, and LPM executing from the boot loader section is not allowed to read from the application section. If interrupt vectors are placed in the boot loader section, interrupts are disabled while executing from the application section.
4	0	1	LPM executing from the boot loader section is not allowed to read from the application section. If interrupt vectors are placed in the boot loader section, interrupts are disabled while executing from the application section.

Note: 1. “1” means unprogrammed, “0” means programmed.

Table 24-3. Boot Lock Bit1 Protection Modes (Boot Loader Section)⁽¹⁾

BLB1 Mode	BLB12	BLB11	Protection
1	1	1	No restrictions for SPM or LPM accessing the boot loader section.
2	1	0	SPM is not allowed to write to the boot loader section.
3	0	0	SPM is not allowed to write to the boot loader section, and LPM executing from the application section is not allowed to read from the boot loader section. If Interrupt vectors are placed in the application section, interrupts are disabled while executing from the boot loader section.
4	0	1	LPM executing from the application section is not allowed to read from the boot loader section. If interrupt vectors are placed in the application section, interrupts are disabled while executing from the boot loader section.

Note: “1” means unprogrammed, “0” means programmed

24.5 Entering the Boot Loader Program

Entering the boot loader takes place by a jump or call from the application program. This may be initiated by a trigger such as a command received via UART, or SPI interface. Alternatively, the boot reset fuse can be programmed so that the reset vector is pointing to the boot flash start address after a reset. In this case, the boot loader is started after a reset. After the application code is loaded, the program can start executing the application code. Note that the fuses cannot be changed by the MCU itself. This means that once the boot reset fuse is programmed, the reset vector will always point to the boot loader reset and the fuse can only be changed through the serial or parallel programming interface.

Table 24-4. Boot Reset Fuse⁽¹⁾

BOTRST	Reset Address
1	Reset vector = Application reset (address 0x0000)
0	Reset vector = Boot loader Reset (see Table 24-7 on page 251)

Note: 1. “1” means unprogrammed, “0” means programmed

24.5.1 Store Program Memory Control and Status Register – SPMCSR

The store program memory control and status register contains the control bits needed to control the boot loader operations.

Bit	7	6	5	4	3	2	1	0	
	SPMIE	RWWSB	SIGRD	RWWSRE	BLBSET	PGWRT	PGERS	SPMEN	SPMCSR
Read/Write	R/W	R	R	R/W	R/W	R/W	R/W	R/W	
Initial Value	0	0	0	0	0	0	0	0	

- **Bit 7 – SPMIE: SPM Interrupt Enable**

When the SPMIE bit is written to one, and the I-bit in the status register is set (one), the SPM ready interrupt will be enabled. The SPM ready interrupt will be executed as long as the SP MEN bit in the SPMCSR register is cleared.

- **Bit 6 – RWWSB: Read-while-write Section Busy**

When a self-programming (page erase or page write) operation to the RWW section is initiated, the RWWSB will be set (one) by hardware. When the RWWSB bit is set, the RWW section cannot be accessed. The RWWSB bit will be cleared if the RWWSRE bit is written to one after a self-programming operation is completed. Alternatively the RWWSB bit will automatically be cleared if a page load operation is initiated.

- **Bit 5 – SIGRD: Signature Row Read**

If this bit is written to one at the same time as SP MEN, the next LPM instruction within three clock cycles will read a byte from the signature row into the destination register. see [Section 24.7.10 “Reading the Signature Row from Software” on page 249](#) for details. An SPM instruction within four cycles after SIGRD and SP MEN are set will have no effect. This operation is reserved for future use and should not be used.

- **Bit 4 – RWWSRE: Read-while-write Section Read Enable**

When programming (page erase or page write) to the RWW section, the RWW section is blocked for reading (the RWWSB will be set by hardware). To re-enable the RWW section, the user software must wait until the programming is completed (SP MEN will be cleared). Then, if the RWWSRE bit is written to one at the same time as SP MEN, the next SPM instruction within four clock cycles re-enables the RWW section. The RWW section cannot be re-enabled while the flash is busy with a page erase or a page write (SP MEN is set). If the RWWSRE bit is written while the flash is being loaded, the flash load operation will abort and the data loaded will be lost.

- **Bit 3 – BLBSET: Boot Lock Bit Set**

If this bit is written to one at the same time as SP MEN, the next SPM instruction within four clock cycles sets boot lock bits and memory lock bits, according to the data in R0. The data in R1 and the address in the Z-pointer are ignored. The BLBSET bit will automatically be cleared upon completion of the lock bit set, or if no SPM instruction is executed within four clock cycles.

An LPM instruction within three cycles after BLBSET and SP MEN are set in the SPMCSR register, will read either the Lock bits or the fuse bits (depending on Z0 in the Z-pointer) into the destination register. See [Section 24.7.9 “Reading the Fuse and Lock Bits from Software” on page 248](#) for details.

- **Bit 2 – PGWRT: Page Write**

If this bit is written to one at the same time as SP MEN, the next SPM instruction within four clock cycles executes page write, with the data stored in the temporary buffer. The page address is taken from the high part of the Z-pointer. The data in R1 and R0 are ignored. The PGWRT bit will auto-clear upon completion of a page write, or if no SPM instruction is executed within four clock cycles. The CPU is halted during the entire page write operation if the NRWW section is addressed.

- **Bit 1 – PGERS: Page Erase**

If this bit is written to one at the same time as SP MEN, the next SPM instruction within four clock cycles executes page erase. The page address is taken from the high part of the Z-pointer. The data in R1 and R0 are ignored. The PGERS bit will auto-clear upon completion of a page erase, or if no SPM instruction is executed within four clock cycles. The CPU is halted during the entire Page Write operation if the NRWW section is addressed.

- **Bit 0 – SP MEN: Self Programming Enable**

This bit enables the SPM instruction for the next four clock cycles. If written to one together with either RWWSRE, BLBSET, PGWRT or PGERS, the following SPM instruction will have a special meaning, see description above. If only SP MEN is written, the following SPM instruction will store the value in R1:R0 in the temporary page buffer addressed by the Z-pointer. The LSB of the Z-pointer is ignored. The SP MEN bit will auto-clear upon completion of an SPM instruction, or if no SPM instruction is executed within four clock cycles. during page erase and page write, the SP MEN bit remains high until the operation is completed.

Writing any other combination than “10001”, “01001”, “00101”, “00011” or “00001” in the lower five bits will have no effect.

24.6 Addressing the Flash during Self-Programming

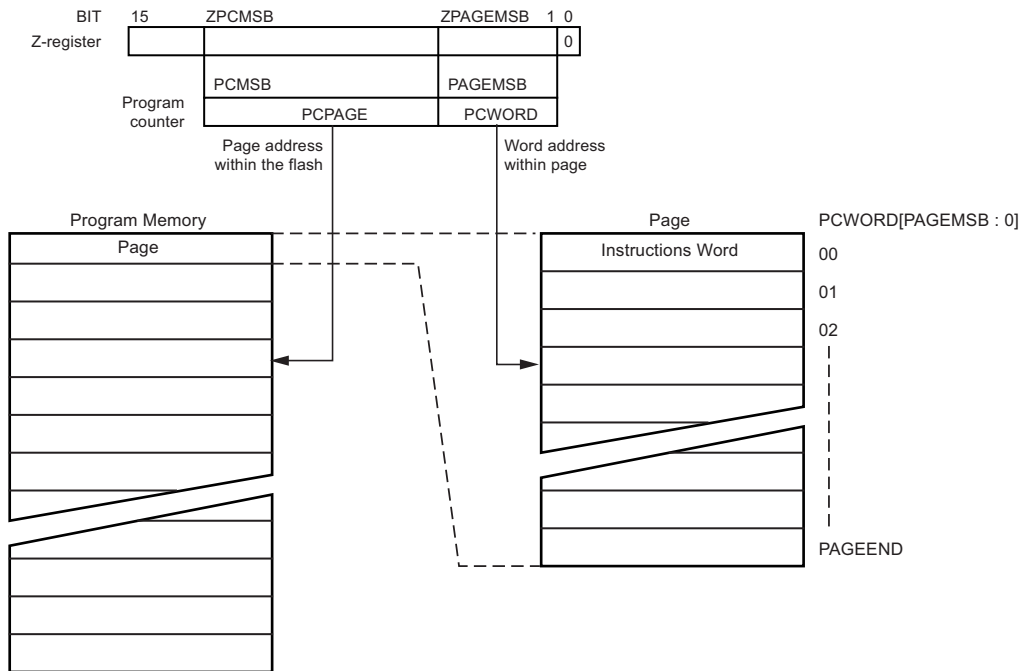
The Z-pointer is used to address the SPM commands.

Bit	15	14	13	12	11	10	9	8
ZH (R31)	Z15	Z14	Z13	Z12	Z11	Z10	Z9	Z8
ZL (R30)	Z7	Z6	Z5	Z4	Z3	Z2	Z1	Z0
	7	6	5	4	3	2	1	0

Since the flash is organized in pages (see [Table 25-12 on page 260](#)), the program counter can be treated as having two different sections. One section, consisting of the least significant bits, is addressing the words within a page, while the most significant bits are addressing the pages. This is shown in [Figure 24-3](#). Note that the page erase and page write operations are addressed independently. Therefore it is of major importance that the boot loader software addresses the same page in both the page erase and page write operation. Once a programming operation is initiated, the address is latched and the Z-pointer can be used for other operations.

The only SPM operation that does not use the Z-pointer is setting the boot loader lock bits. The content of the Z-pointer is ignored and will have no effect on the operation. The LPM instruction does also use the Z-pointer to store the address. Since this instruction addresses the flash byte-by-byte, also the LSB (bit Z0) of the Z-pointer is used.

Figure 24-3. Addressing the Flash during SPM⁽¹⁾



Note: 1. The different variables used in [Figure 24-3](#) are listed in [Table 24-9 on page 252](#).

24.7 Self-programming the Flash

The program memory is updated in a page by page fashion. Before programming a page with the data stored in the temporary page buffer, the page must be erased. The temporary page buffer is filled one word at a time using SPM and the buffer can be filled either before the page erase command or between a page erase and a page write operation:

Alternative 1, fill the buffer before a page erase

- Fill temporary page buffer
- Perform a page erase
- Perform a page write

Alternative 2, fill the buffer after page erase

- Perform a page erase
- Fill temporary page buffer
- Perform a page write

If only a part of the page needs to be changed, the rest of the page must be stored (for example in the temporary page buffer) before the erase, and then be rewritten. When using alternative 1, the boot loader provides an effective read-modify-write feature which allows the user software to first read the page, do the necessary changes, and then write back the modified data. If alternative 2 is used, it is not possible to read the old data while loading since the page is already erased. The temporary page buffer can be accessed in a random sequence. It is essential that the page address used in both the page erase and page write operation is addressing the same page. See [Section 24.7.13 “Simple Assembly Code Example for a Boot Loader” on page 250](#) for an assembly code example.

24.7.1 Performing Page Erase by SPM

To execute page erase, set up the address in the Z-pointer, write “X0000011” to SPMCSR and execute SPM within four clock cycles after writing SPMCSR. The data in R1 and R0 is ignored. The page address must be written to PCPAGE in the Z-register. Other bits in the Z-pointer will be ignored during this operation.

- Page erase to the RWW section: The NRWW section can be read during the page erase.
- Page erase to the NRWW section: The CPU is halted during the operation.

24.7.2 Filling the Temporary Buffer (Page Loading)

To write an instruction word, set up the address in the Z-pointer and data in R1:R0, write “00000001” to SPMCSR and execute SPM within four clock cycles after writing SPMCSR. The content of PCWORD in the Z-register is used to address the data in the temporary buffer. The temporary buffer will auto-erase after a page write operation or by writing the RWWSRE bit in SPMCSR. It is also erased after a system reset. Note that it is not possible to write more than one time to each address without erasing the temporary buffer.

If the EEPROM is written in the middle of an SPM page load operation, all data loaded will be lost.

24.7.3 Performing a Page Write

To execute page write, set up the address in the Z-pointer, write “X0000101” to SPMCSR and execute SPM within four clock cycles after writing SPMCSR. The data in R1 and R0 is ignored. The page address must be written to PCPAGE. Other bits in the Z-pointer must be written to zero during this operation.

- Page write to the RWW section: The NRWW section can be read during the page write.
- Page write to the NRWW section: The CPU is halted during the operation.

24.7.4 Using the SPM Interrupt

If the SPM interrupt is enabled, the SPM interrupt will generate a constant interrupt when the SP MEN bit in SPMCSR is cleared. This means that the interrupt can be used instead of polling the SPMCSR register in software. When using the SPM interrupt, the interrupt vectors should be moved to the BLS section to avoid that an interrupt is accessing the RWW section when it is blocked for reading.

24.7.5 Consideration While Updating BLS

Special care must be taken if the user allows the boot loader section to be updated by leaving boot lock bit11 unprogrammed. An accidental write to the boot loader itself can corrupt the entire boot loader, and further software updates might be impossible. If it is not necessary to change the boot loader software itself, it is recommended to program the boot lock bit11 to protect the boot loader software from any internal software changes.

24.7.6 Prevent Reading the RWW Section during Self-programming

During self-programming (either page erase or page write), the RWW section is always blocked for reading. The user software itself must prevent that this section is addressed during the self programming operation. The RWWSB in the SPMCSR will be set as long as the RWW section is busy. During self-programming the Interrupt vector table should be moved to the BLS or the interrupts must be disabled. Before addressing the RWW section after the programming is completed, the user software must clear the RWWSB by writing the RWWSRE. See [Section 24.7.13 “Simple Assembly Code Example for a Boot Loader” on page 250](#) for an example.

24.7.7 Setting the Boot Loader Lock Bits by SPM

To set the boot loader lock bits, write the desired data to R0, write “X0001001” to SPMCSR and execute SPM within four clock cycles after writing SPMCSR. The only accessible lock bits are the boot lock bits that may prevent the application and boot loader section from any software update by the MCU.

Bit	7	6	5	4	3	2	1	0
R0	1	1	BLB12	BLB11	BLB02	BLB01	1	1

See [Table 24-2](#) and [Table 24-3](#) for how the different settings of the boot loader bits affect the flash access.

If bits 5..2 in R0 are cleared (zero), the corresponding boot lock bit will be programmed if an SPM instruction is executed within four cycles after BLBSET and SPEN are set in SPMCSR. The Z-pointer is don't care during this operation, but for future compatibility it is recommended to load the Z-pointer with 0x0001 (same as used for reading the IO_{ck} bits). For future compatibility it is also recommended to set bits 7, 6, 1, and 0 in R0 to “1” when writing the Lock bits. When programming the lock bits the entire flash can be read during the operation.

24.7.8 EEPROM Write Prevents Writing to SPMCSR

Note that an EEPROM write operation will block all software programming to flash. Reading the fuses and lock bits from software will also be prevented during the EEPROM write operation. It is recommended that the user checks the status bit (EWE) in the EECR Register and verifies that the bit is cleared before writing to the SPMCSR register.

24.7.9 Reading the Fuse and Lock Bits from Software

It is possible to read both the fuse and lock bits from software. To read the lock bits, load the Z-pointer with 0x0001 and set the BLBSET and SPEN bits in SPMCSR. When an LPM instruction is executed within three CPU cycles after the BLBSET and SPEN bits are set in SPMCSR, the value of the Lock bits will be loaded in the destination register. The BLBSET and SPEN bits will auto-clear upon completion of reading the Lock bits or if no LPM instruction is executed within three CPU cycles or no SPM instruction is executed within four CPU cycles. When BLBSET and SPEN are cleared, LPM will work as described in the instruction set manual.

Bit	7	6	5	4	3	2	1	0
Rd	–	–	BLB12	BLB11	BLB02	BLB01	LB2	LB1

The algorithm for reading the fuse low byte is similar to the one described above for reading the lock bits. To read the fuse low byte, load the Z-pointer with 0x0000 and set the BLBSET and SPEN bits in SPMCSR.

When an LPM instruction is executed within three cycles after the BLBSET and SPEN bits are set in the SPMCSR, the value of the fuse low byte (FLB) will be loaded in the destination register as shown below. Refer to [Table 25-4 on page 256](#) for a detailed description and mapping of the fuse low byte.

Bit	7	6	5	4	3	2	1	0
Rd	FLB7	FLB6	FLB5	FLB4	FLB3	FLB2	FLB1	FLB0

Similarly, when reading the fuse high byte, load 0x0003 in the Z-pointer. When an LPM instruction is executed within three cycles after the BLBSET and SPEN bits are set in the SPMCSR, the value of the fuse high byte (FHB) will be loaded in the destination register as shown below. Refer to [Table 25-6 on page 257](#) for detailed description and mapping of the fuse high byte.

Bit	7	6	5	4	3	2	1	0
Rd	FHB7	FHB6	FHB5	FHB4	FHB3	FHB2	FHB1	FHB0

When reading the extended fuse byte, load 0x0002 in the Z-pointer. When an LPM instruction is executed within three cycles after the BLBSET and SPEN bits are set in the SPMCSR, the value of the extended fuse byte (EFB) will be loaded in the destination register as shown below. Refer to [Table 25-4 on page 256](#) for detailed description and mapping of the extended fuse byte.

Bit	7	6	5	4	3	2	1	0
Rd	–	–	–	–	EFB3	EFB2	EFB1	EFB0

Fuse and lock bits that are programmed, will be read as zero. Fuse and lock bits that are unprogrammed, will be read as one.

24.7.10 Reading the Signature Row from Software

To read the signature row from software, load the Z-pointer with the signature byte address given in [Table 24-5 on page 249](#) and set the SIGRD and SPMEN bits in SPMCSR. When an LPM instruction is executed within three CPU cycles after the SIGRD and SPMEN bits are set in SPMCSR, the signature byte value will be loaded in the destination register. The SIGRD and SPMEN bits will auto-clear upon completion of reading the signature row lock bits or if no LPM instruction is executed within three CPU cycles. When SIGRD and SPMEN are cleared, LPM will work as described in the instruction set manual.

Note: Before attempting to set SPMEN it is important to test this bit is cleared showing that the hardware is ready for a new operation.

Table 24-5. Signature Row Addressing

Signature Byte	Z-Pointer Address
Device signature byte 1	0x0000
Device signature byte 2	0x0002
Device signature byte 3	0x0004
RC oscillator calibration byte	0x0001
TSOFFSET temp sensor offset	0x0005
TSGAIN temp sensor gain	0x0007

Note: All other addresses are reserved for future use.

24.7.11 Preventing Flash Corruption

During periods of low V_{CC} , the flash program can be corrupted because the supply voltage is too low for the CPU and the flash to operate properly. These issues are the same as for board level systems using the flash, and the same design solutions should be applied.

A flash program corruption can be caused by two situations when the voltage is too low. First, a regular write sequence to the flash requires a minimum voltage to operate correctly. Secondly, the CPU itself can execute instructions incorrectly, if the supply voltage for executing instructions is too low.

Flash corruption can easily be avoided by following these design recommendations (one is sufficient):

1. If there is no need for a boot loader update in the system, program the boot loader lock bits to prevent any boot loader software updates.
2. Keep the AVR[®] RESET active (low) during periods of insufficient power supply voltage. This can be done by enabling the internal brown-out detector (BOD) if the operating voltage matches the detection level. If not, an external low V_{CC} reset protection circuit can be used. If a reset occurs while a write operation is in progress, the write operation will be completed provided that the power supply voltage is sufficient.
3. Keep the AVR core in power-down sleep mode during periods of low V_{CC} . This will prevent the CPU from attempting to decode and execute instructions, effectively protecting the SPMCSR register and thus the flash from unintentional writes.

24.7.12 Programming Time for Flash when Using SPM

The calibrated RC oscillator is used to time flash accesses. [Table 24-6](#) shows the typical programming time for flash accesses from the CPU.

Table 24-6. SPM Programming Time

Symbol	Min Programming Time	Max Programming Time
Flash write (page erase, page write, and write lock bits by SPM)	3.7ms	4.5ms

24.7.13 Simple Assembly Code Example for a Boot Loader

```
;-the routine writes one page of data from RAM to Flash
; the first data location in RAM is pointed to by the Y pointer
; the first data location in Flash is pointed to by the Z-pointer
;-error handling is not included
;-the routine must be placed inside the Boot space
; (at least the Do_spm sub routine). Only code inside NRWW section can
; be read during Self-Programming (Page Erase and Page Write).
;-registers used: r0, r1, temp1 (r16), temp2 (r17), looplo (r24),
; loophi (r25), spmcrcval (r20)
; storing and restoring of registers is not included in the routine
; register usage can be optimized at the expense of code size
;-It is assumed that either the interrupt table is moved to the Boot
; loader section or that the interrupts are disabled.
.equ PAGESIZEB = PAGESIZE*2      PAGESIZEB is page size in BYTES, not words
.org SMALLBOOTSTART
Write_page:
;      Page Erase
ldi   spmcrcval, (1<<PGERS) | (1<<SPMEN)
call  Do_spm

;      re-enable the RWW section
ldi   spmcrcval, (1<<RWWSRE) | (1<<SPMEN)
call  Do_spm

;      transfer data from RAM to Flash page buffer
ldi   looplo, low(PAGESIZEB)      ;init loop variable
ldi   loophi, high(PAGESIZEB)     ;not required for PAGESIZEB<=256
Wrloop:
ld    r0, Y+
ld    r1, Y+
ldi   spmcrcval, (1<<SPMEN)
call  Do_spm
adiw  ZH:ZL, 2
sbiw  loophi:looplo, 2            ;use subi for PAGESIZEB<=256
brne  Wrloop

;      execute Page Write
subi  ZL, low(PAGESIZEB)          ;restore pointer
sbci  ZH, high(PAGESIZEB)        ;not required for PAGESIZEB<=256
ldi   spmcrcval, (1<<PGWRT) | (1<<SPMEN)
call  Do_spm

;      re-enable the RWW section
ldi   spmcrcval, (1<<RWWSRE) | (1<<SPMEN)
call  Do_spm

;      read back and check, optional
ldi   looplo, low(PAGESIZEB)      ;init loop variable
ldi   loophi, high(PAGESIZEB)     ;not required for PAGESIZEB<=256
subi  YL, low(PAGESIZEB)          ;restore pointer
sbci  YH, high(PAGESIZEB)
Rdloop:
lpm   r0, Z+
ld    r1, Y+
cpse  r0, r1
jmp   Error
sbiw  loophi:looplo, 1            ;use subi for PAGESIZEB<=256
brne  Rdloop
```

```

        ; return to RWW section
        ; verify that RWW section is safe to read
Return:
    in     temp1, SPMCSR
    sbrs  temp1, RWWSB           If RWWSB is set, the RWW section is not
                                ready yet
    ret
    ; re-enable the RWW section
    ldi   spmcrval, (1<<RWWSRE) | (1<<SPMEN)
    call  Do_spm
    rjmp  Return

Do_spm:
    ; check for previous SPM complete
Wait_spm:
    in     temp1, SPMCSR
    sbrc  temp1, SPMEN
    rjmp  Wait_spm
    ; input: spmcrval determines SPM action
    ; disable interrupts if enabled, store status
    in     temp2, SREG
    cli
    ; check that no EEPROM write access is present
Wait_ee:
    sbic  EECR, EEPE
    rjmp  Wait_ee
    ; SPM timed sequence
    out   SPMCSR, spmcrval
    spm
    ; restore SREG (to enable interrupts if originally enabled)
    out   SREG, temp2
    ret

```

24.7.14 ATmega16/32/64/M1/C1 - 16K - Flash Boot Loader Parameters

In [Table 24-7](#) through [Table 24-9](#) on page 252, the parameters used in the description of the self programming are given.

Table 24-7. Boot Size Configuration, ATmega16/32/64/M1/C1 (16K Product)

BOOTSZ1	BOOTSZ0	Boot Size ⁽²⁾	Pages	Application Flash Section	Boot Loader Flash Section	End Application Section	Boot Reset Address (Start Boot Loader Section)
1	1	256 words	4	0x0000 - 0x1EFF	0x1F00 - 0x1FFF	0x1EFF	0x1F00
1	0	512 words	8	0x0000 - 0x1DFF	0x1E00 - 0x1FFF	0x1DFF	0x1E00
0	1	1024 words	16	0x0000 - 0x1BFF	0x1C00 - 0x1FFF	0x1BFF	0x1C00
0	0	2048 words	32	0x0000 - 0x17FF	0x1800 - 0x1FFF	0x17FF	0x1800

- Notes: 1. The different BOOTSZ fuse configurations are shown in [Figure 24-2](#) on page 243.
2. 1 word equals 2 bytes.

Table 24-8. Read-while-write Limit

Section	Pages	Address
Read-while-write section (RWW)	96	0x0000 - 0x17FF
No Read-while-write section (NRWW)	32	0x1800 - 0x1FFF

For details about these two section, see [Section 24.3.2 “NRWW – No Read-while-write Section”](#) on page 242 and [Section 24.3.1 “RWW – Read-while-write Section”](#) on page 242.

Table 24-9. Explanation of Different Variables used in Figure 24-3 and the Mapping to the Z-pointer

Variable		Corresponding Z-value ⁽¹⁾	Description
PCMSB	12		Most significant bit in the program counter (the program counter is 13 bits PC[2:0]).
PAGEMSB	5		Most significant bit which is used to address the words within one page (64 words in a page requires 6 bits PC [5:0]).
ZPCMSB		Z13	Bit in Z-register that is mapped to PCMSB. Because Z0 is not used, the ZPCMSB equals PCMSB + 1.
ZPAGEMSB		Z6	Bit in Z-register that is mapped to PAGEMSB. Because Z0 is not used, the ZPAGEMSB equals PAGEMSB + 1.
PCPAGE	PC[12:6]	Z13:Z7	Program counter page address: Page select, for page erase and page write
PCWORD	PC[5:0]	Z6:Z1	Program counter word address: Word select, for filling temporary buffer (must be zero during page write operation)

Note: 1. Z15:Z13: always ignored
 Z0: should be zero for all SPM commands, byte select for the LPM instruction.
 See [Section 24.6 “Addressing the Flash during Self-Programming”](#) on page 246 for details about the use of Z-pointer during self-programming.

24.7.15 ATmega16/32/64/M1/C1 - 32K -Flash Boot Loader Parameters

In [Table 24-10](#) through [Table 24-12](#) on page 253, the parameters used in the description of the self programming are given.

Table 24-10. Boot Size Configuration, ATmega16/32/64/M1/C1 (32K product)

BOOTSZ1	BOOTSZ0	Boot Size ⁽²⁾	Pages	Application Flash Section	Boot Loader Flash Section	End Application Section	Boot Reset Address (Start Boot Loader Section)
1	1	256 words	4	0x0000 - 0x3EFF	0x3F00 - 0x3FFF	0x3EFF	0x3F00
1	0	512 words	8	0x0000 - 0x3DFF	0x3E00 - 0x3FFF	0x3DFF	0x3E00
0	1	1024 words	16	0x0000 - 0x3BFF	0x3C00 - 0x3FFF	0x3BFF	0x3C00
0	0	2048 words	32	0x0000 - 0x37FF	0x3800 - 0x3FFF	0x37FF	0x3800

Notes: 1. The different BOOTSZ Fuse configurations are shown in [Figure 24-2](#) on page 243.
 2. 1 word equals 2 bytes.

Table 24-11. Read-while-write Limit

Section	Pages	Address
Read-while-write section (RWW)	224	0x0000 - 0x37FF
No Read-while-write section (NRWW)	32	0x3800 - 0x3FFF

For details about these two section, see [Section 24.3.2 “NRWW – No Read-while-write Section” on page 242](#) and [Section 24.3.1 “RWW – Read-while-write Section” on page 242](#).

Table 24-12. Explanation of Different Variables used in Figure 24-3 and the Mapping to the Z-pointer

Variable		Corresponding Z-value ⁽¹⁾	Description
PCMSB	13		Most significant bit in the program counter (the program counter is 14 bits PC[13:0])
PAGEMSB	5		Most significant bit which is used to address the words within one page (64 words in a page requires 6 bits PC [5:0]).
ZPCMSB		Z14	Bit in Z-register that is mapped to PCMSB. Because Z0 is not used, the ZPCMSB equals PCMSB + 1.
ZPAGEMSB		Z6	Bit in Z-register that is mapped to PAGEMSB. Because Z0 is not used, the ZPAGEMSB equals PAGEMSB + 1.
PCPAGE	PC[13:6]	Z14:Z7	Program counter page address: Page select, for page erase and page write
PCWORD	PC[5:0]	Z6:Z1	Program counter word address: Word select, for filling temporary buffer (must be zero during page write operation)

Note: 1. Z15:Z13: always ignored
 Z0: should be zero for all SPM commands, byte select for the LPM instruction.
 See [Section 24.6 “Addressing the Flash during Self-Programming” on page 246](#) for details about the use of Z-pointer during self-programming.

24.7.16 ATmega16/32/64/M1/C1 - 64K - Flash Boot Loader Parameters

In [Table 24-13](#) through [Table 24-15](#) on page 254, the parameters used in the description of the self programming are given.

Table 24-13. Boot Size Configuration, ATmega16/32/64/M1/C1 (64K Product)

BOOTSZ1	BOOTSZ0	Boot Size ⁽²⁾	Pages	Application Flash Section	Boot Loader Flash Section	End Application Section	Boot Reset Address (Start Boot Loader Section)
1	1	512 words	4	0x0000 - 0x7DFF	0x7E00 - 0x7FFF	0x7DFF	0x7E00
1	0	1024 words	8	0x0000 - 0x7BFF	0x7C00 - 0x7FFF	0x7BFF	0x7C00
0	1	2048 words	16	0x0000 - 0x77FF	0x7800 - 0x7FFF	0x77FF	0x7800
0	0	4096 words	32	0x0000 - 0x6FFF	0x7000 - 0x7FFF	0x6FFF	0x7000

Note: 1. The different BOOTSZ Fuse configurations are shown in [Figure 24-2](#) on page 243.
 2. 1 word equals 2 bytes.

Table 24-14. Read-while-write Limit

Section	Pages	Address
Read-while-write section (RWW)	224	0x0000 - 0x6FFF
No read-while-write section (NRWW)	32	0x7000 - 0x7FFF

For details about these two section, see [Section 24.3.2 “NRWW – No Read-while-write Section” on page 242](#) and [Section 24.3.1 “RWW – Read-while-write Section” on page 242](#).

Table 24-15. Explanation of Different Variables used in Figure 24-3 and the Mapping to the Z-pointer

Variable		Corresponding Z-value ⁽¹⁾	Description
PCMSB	14		Most significant bit in the program counter (the program counter is 15 bits PC[14:0]).
PAGEMSB	7		Most significant bit which is used to address the words within one page (128 words in a page requires seven bits PC [6:0]).
ZPCMSB		Z15	Bit in Z-register that is mapped to PCMSB. Because Z0 is not used, the ZPCMSB equals PCMSB + 1.
ZPAGEMSB		Z8	Bit in Z-register that is mapped to PAGEMSB. Because Z0 is not used, the ZPAGEMSB equals PAGEMSB + 1.
PCPAGE	PC[14:7]	Z15:Z8	Program counter page address: Page select, for page erase and page write
PCWORD	PC[6:0]	Z7:Z1	Program counter word address: Word select, for filling temporary buffer (must be zero during page write operation)

Note: 1. Z15:Z13: always ignored
 Z0: should be zero for all SPM commands, byte select for the LPM instruction.
 See [Section 24.6 “Addressing the Flash during Self-Programming” on page 246](#) for details about the use of Z-pointer during self-programming.

25. Memory Programming

25.1 Program and Data Memory Lock Bits

The ATmega16/32/64/M1/C1 provides six Lock bits which can be left unprogrammed (“1”) or can be programmed (“0”) to obtain the additional features listed in [Table 25-2](#). The Lock bits can only be erased to “1” with the chip erase command.

Table 25-1. Lock Bit Byte⁽¹⁾

Lock Bit Byte	Bit No	Description	Default Value
	7	–	1 (unprogrammed)
	6	–	1 (unprogrammed)
BLB12	5	Boot lock bit	1 (unprogrammed)
BLB11	4	Boot lock bit	1 (unprogrammed)
BLB02	3	Boot lock bit	1 (unprogrammed)
BLB01	2	Boot lock bit	1 (unprogrammed)
LB2	1	Lock bit	1 (unprogrammed)
LB1	0	Lock bit	1 (unprogrammed)

Notes: 1. “1” means unprogrammed, “0” means programmed.

Table 25-2. Lock Bit Protection Modes⁽¹⁾⁽²⁾

Memory Lock Bits			Protection Type
LB Mode	LB2	LB1	
1	1	1	No memory lock features enabled.
2	1	0	Further programming of the flash and EEPROM is disabled in parallel and serial programming mode. The fuse bits are locked in both serial and parallel programming mode ⁽¹⁾ .
3	0	0	Further programming and verification of the flash and EEPROM is disabled in parallel and serial programming mode. The boot lock bits and fuse bits are locked in both serial and parallel programming mode ⁽¹⁾ .

Notes: 1. Program the fuse bits and boot lock bits before programming the LB1 and LB2.
2. “1” means unprogrammed, “0” means programmed.

Table 25-3. Lock Bit Protection Modes⁽¹⁾⁽²⁾

BLB0 Mode	BLB02	BLB01	Protection Type
1	1	1	
2	1	0	SPM is not allowed to write to the Application section.
3	0	0	SPM is not allowed to write to the Application section, and LPM executing from the Boot Loader section is not allowed to read from the Application section. If Interrupt Vectors are placed in the Boot Loader section, interrupts are disabled while executing from the Application section.
4	0	1	LPM executing from the Boot Loader section is not allowed to read from the Application section. If Interrupt Vectors are placed in the Boot Loader section, interrupts are disabled while executing from the Application section.

Notes: 1. Program the Fuse bits and Boot Lock bits before programming the LB1 and LB2.
2. “1” means unprogrammed, “0” means programmed

25.2 Fuse Bits

The ATmega16/32/64/M1/C1 has three Fuse bytes. [Table 25-4](#) to [Table 25-7](#) on page 257 describe briefly the functionality of all the fuses and how they are mapped into the Fuse bytes. Note that the fuses are read as logical zero, “0”, if they are programmed.

Table 25-4. Extended Fuse Byte

Extended Fuse Byte	Bit No	Description	Default Value
-	7	-	1 (unprogrammed)
-	6	-	1 (unprogrammed)
PSCRB	5	PSC reset behavior	1 (unprogrammed)
PSCARVA	4	PSCOUTnA reset value	1 (unprogrammed)
PSCRVB	3	PSCOUTnB reset value	1 (unprogrammed)
BODLEVEL2 ⁽¹⁾	2	Brown-out detector trigger level	1 (unprogrammed)
BODLEVEL1 ⁽¹⁾	1	Brown-out detector trigger level	1 (unprogrammed)
BODLEVEL0 ⁽¹⁾	0	Brown-out detector trigger level	1 (unprogrammed)

Note: 1. See [Table 7-2](#) on page 40 for BODLEVEL fuse decoding.

25.3 PSC Output Behavior during Reset

For external component safety reason, the state of PSC outputs during reset can be programmed by fuses PSCRB, PSCARV and PSCRVB. These fuses are located in the extended fuse byte (see [Table 25-4](#) on page 256).

If PSCRB fuse equals 1 (unprogrammed), all PSC outputs keep a standard port behavior. If PSC0RB fuse equals 0 (programmed), all PSC outputs are forced at reset to low level or high level according to PSCARV and PSCRVB fuse bits. In this second case, the PSC outputs keep the forced state until POC register is written. [Section 5.10.1 “Clock Prescaler Register – CLKPR”](#) on page 33

PSCARV (PSCOUTnA reset value) gives the state low or high which will be forced on PSCOUT0A, PSCOUT1A and PSCOUT2A outputs when PSCRB is programmed. If PSCARV fuse equals 0 (programmed), the PSCOUT0A, PSCOUT1A and PSCOUT2A outputs will be forced to high state. If PSCRV fuse equals 1 (unprogrammed), the PSCOUT0A, PSCOUT1A and PSCOUT2A outputs will be forced to low state.

PSCRVB (PSCOUTnB Reset Value) gives the state low or high which will be forced on PSCOUT0B, PSCOUT1B and PSCOUT2B outputs when PSCRB is programmed. If PSCRVB fuse equals 0 (programmed), the PSCOUT0B, PSCOUT1B and PSCOUT2B outputs will be forced to high state. If PSCRVB fuse equals 1 (unprogrammed), the PSCOUT0B, PSCOUT1B and PSCOUT2B outputs will be forced to low state.

Table 25-5. PSC Output Behavior during and after Reset until POC Register is Written

PSCRB	PSCARV	PSCRVB	PSCOUTnA	PSCOUTnB
Unprogrammed	X	X	Normal port	Normal port
Programmed	Unprogrammed	Unprogrammed	Forced low	Forced low
Programmed	Unprogrammed	Programmed	Forced low	Forced high
Programmed	Programmed	Unprogrammed	Forced high	Forced low
Programmed	Programmed	Programmed	Forced high	Forced high
BODLEVEL2 ⁽¹⁾		2	Brown-out detector trigger level	1 (unprogrammed)
BODLEVEL1 ⁽¹⁾		1	Brown-out detector trigger level	1 (unprogrammed)
BODLEVEL0 ⁽¹⁾		0	Brown-out detector trigger level	1 (unprogrammed)

Table 25-6. Fuse High Byte

High Fuse Byte	Bit No	Description	Default Value
RSTDISBL ⁽¹⁾	7	External reset disable	1 (unprogrammed)
DWEN	6	debugWIRE enable	1 (unprogrammed)
SPIEN ⁽²⁾	5	Enable serial program and data downloading	0 (programmed, SPI programming enabled)
WDTON ⁽³⁾	4	Watchdog timer always on	1 (unprogrammed)
EESAVE	3	EEPROM memory is preserved through the chip erase	1 (unprogrammed), EEPROM not reserved
BOOTSZ1	2	Select boot size	0 (programmed) ⁽⁴⁾
BOOTSZ0	1	Select boot size	0 (programmed) ⁽⁴⁾
BOOTRST	0	Select reset vector	1 (unprogrammed)

- Note:
1. See [Section 9.3.3 “Alternate Functions of Port C” on page 61](#) for description of RSTDISBL fuse.
 2. The SPIEN fuse is not accessible in serial programming mode.
 3. See [Section 7-5 “Watchdog Timer Configuration” on page 46](#) for details.
 4. The default value of BOOTSZ1..0 results in maximum boot size. See [Table 25-8 on page 259](#) for details.

Table 25-7. Fuse Low Byte

Low Fuse Byte	Bit No	Description	Default Value
CKDIV8 ⁽⁴⁾	7	Divide clock by 8	0 (programmed)
CKOUT ⁽³⁾	6	Clock output	1 (unprogrammed)
SUT1	5	Select start-up time	1 (unprogrammed) ⁽¹⁾
SUT0	4	Select start-up time	0 (programmed) ⁽¹⁾
CKSEL3	3	Select Clock source	0 (programmed) ⁽²⁾
CKSEL2	2	Select Clock source	0 (programmed) ⁽²⁾
CKSEL1	1	Select Clock source	1 (unprogrammed) ⁽²⁾
CKSEL0	0	Select Clock source	0 (programmed) ⁽²⁾

- Notes:
1. The default value of SUT1..0 results in maximum start-up time for the default clock source. See [Table 5-9 on page 32](#) for details.
 2. The default setting of CKSEL3..0 results in internal RC oscillator at 8MHz. See [Table 5-9 on page 32](#) for details.
 3. The CKOUT fuse allows the system clock to be output on PORTB0. See [Section 5.9 “Clock Output Buffer” on page 32](#) for details.
 4. See [Section 5.10 “System Clock Prescaler” on page 32](#) for details.

The status of the fuse bits is not affected by chip erase. Note that the Fuse bits are locked if Lock bit1 (LB1) is programmed. Program the fuse bits before programming the lock bits.

25.3.1 Latching of Fuses

The fuse values are latched when the device enters programming mode and changes of the fuse values will have no effect until the part leaves programming mode. This does not apply to the EESAVE fuse which will take effect once it is programmed. The fuses are also latched on power-up in normal mode.

25.4 Signature Bytes

All Atmel® microcontrollers have a three-byte signature code which identifies the device. This code can be read in both serial and parallel mode, also when the device is locked. The three bytes reside in a separate address space.

25.4.1 Signature Bytes

For the **ATmega16M1** the signature bytes are:

1. 0x000: 0x1E (indicates manufactured by Atmel).
2. 0x001: 0x94 (indicates 16kB flash memory).
3. 0x002: 0x84 (indicates ATmega16M1 device when 0x001 is 0x94).

For the **ATmega32M1** the signature bytes are:

1. 0x000: 0x1E (indicates manufactured by Atmel).
2. 0x001: 0x95 (indicates 32kB flash memory).
3. 0x002: 0x84 (indicates ATmega32M1 device when 0x001 is 0x95).

For the **ATmega64M1** the signature bytes are:

1. 0x000: 0x1E (indicates manufactured by Atmel).
2. 0x001: 0x96 (indicates 64kB flash memory).
3. 0x002: 0x84 (indicates ATmega64M1 device when 0x001 is 0x96).

For the **ATmega32C1** the signature bytes are:

1. 0x000: 0x1E (indicates manufactured by Atmel).
2. 0x001: 0x95 (indicates 32kB flash memory).
3. 0x002: 0x86 (indicates ATmega32C1 device when 0x001 is 0x95).

For the **ATmega64C1** the signature bytes are:

1. 0x000: 0x1E (indicates manufactured by Atmel).
2. 0x001: 0x96 (indicates 32kB flash memory).
3. 0x002: 0x86 (indicates ATmega64C1 device when 0x001 is 0x96).

25.5 Calibration Byte

The ATmega16/32/64/M1/C1 has a byte calibration value for the internal RC oscillator. This byte resides in the high byte of address 0x000 in the signature address space. during reset, this byte is automatically written into the OSCCAL register to ensure correct frequency of the calibrated RC oscillator.

25.6 Parallel Programming Parameters, Pin Mapping, and Commands

This section describes how to parallel program and verify flash program memory, EEPROM data memory, memory lock bits, and fuse bits in the ATmega16/32/64/M1/C1. Pulses are assumed to be at least 250ns unless otherwise noted.

25.6.1 Signal Names

In this section, some pins of the ATmega16/32/64/M1/C1 are referenced by signal names describing their functionality during parallel programming, see [Figure 25-1](#) and [Table 25-8](#). Pins not described in the following table are referenced by pin names.

The XA1/XA0 pins determine the action executed when the XTAL1 pin is given a positive pulse. The bit coding is shown in [Table 25-10](#) on page 260. When pulsing \overline{WR} or \overline{OE} , the command loaded determines the action executed. The different Commands are shown in [Table 25-11](#) on page 260.

Figure 25-1. Parallel Programming

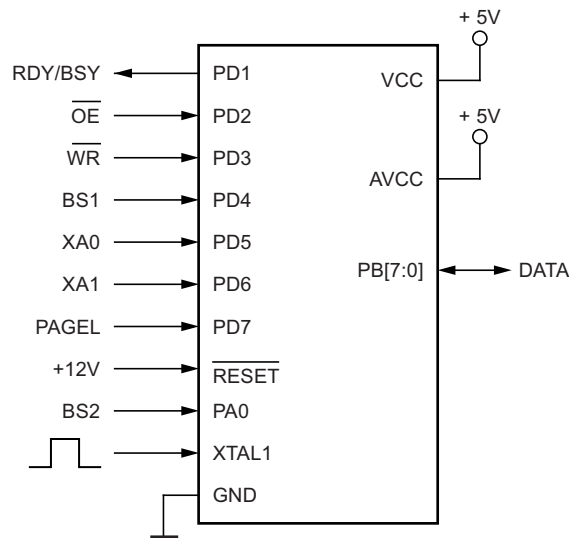


Table 25-8. Pin Name Mapping

Signal Name in Programming Mode	Pin Name	I/O	Function
$\overline{RDY/BSY}$	PD1	O	0: Device is busy programming, 1: Device is ready for new command
\overline{OE}	PD2	I	Output enable (active low)
\overline{WR}	PD3	I	Write pulse (active low)
BS1	PD4	I	Byte select 1 ("0" selects low byte, "1" selects high byte)
XA0	PD5	I	XTAL action bit 0
XA1	PD6	I	XTAL action bit 1
PAGEL	PD7	I	Program memory and EEPROM data page load
BS2	PE2	I	Byte select 2 ("0" selects low byte, "1" selects 2'nd high byte)
DATA	PB[7:0]	I/O	Bi-directional data bus (output when \overline{OE} is low)

Table 25-9. Pin Values Used to Enter Programming Mode

Pin	Symbol	Value
PAGEL	Prog_enable[3]	0
XA1	Prog_enable[2]	0
XA0	Prog_enable[1]	0
BS1	Prog_enable[0]	0

Table 25-10. XA1 and XA0 Coding

XA1	XA0	Action when XTAL1 is Pulsed
0	0	Load flash or EEPROM address (High or low address byte determined by BS1).
0	1	Load data (high or low data byte for Flash determined by BS1).
1	0	Load command
1	1	No action, Idle

Table 25-11. Command Byte Bit Coding

Command Byte	Command Executed
1000 0000	Chip erase
0100 0000	Write fuse bits
0010 0000	Write lock bits
0001 0000	Write flash
0001 0001	Write EEPROM
0000 1000	Read signature bytes and calibration byte
0000 0100	Read fuse and lock bits
0000 0010	Read flash
0000 0011	Read EEPROM

Table 25-12. No. of Words in a Page and No. of Pages in the Flash

Device	Flash Size	Page Size	PCWORD	No. of Pages	PCPAGE	PCMSB
ATmega16M1	8Kwords (16Kbytes)	64 words (128 bytes)	PC[5:0]	128	PC[12:6]	12
ATmega32M1/C1	16Kwords (32Kbytes)	64 words (128 bytes)	PC[5:0]	256	PC[13:6]	13
ATmega64M1/C1	32K words (64K bytes)	128 words (256 bytes)	PC[6:0]	256	PC[14:7]	14

Table 25-13. No. of Words in a Page and No. of Pages in the EEPROM

Device	EEPROM Size	Page Size	PCWORD	No. of Pages	PCPAGE	EEAMSB
ATmega16M1	512 bytes	4 bytes	EEA[1:0]	128	EEA[8:2]	9
ATmega32M1/C1	1024 bytes	4 bytes	EEA[1:0]	256	EEA[9:2]	9
ATmega64M1/C1	2048 bytes	8 bytes	EEA[2:0]	256	EEA[9:2]	9

25.7 Serial Programming Pin Mapping

Table 25-14. Pin Mapping Serial Programming

Symbol	Pins	I/O	Description
MOSI_A	PD3	I	Serial data in
MISO_A	PD2	O	Serial data out
SCK_A	PD4	I	Serial clock

25.8 Parallel Programming

25.8.1 Enter Programming Mode

The following algorithm puts the device in Parallel (High-voltage) > Programming mode:

1. Set Prog_enable pins listed in [Table 25-9 on page 260](#) to “0000”, RESET pin to “0” and V_{CC} to 0V.
2. Apply 4.5 to 5.5V between VCC and GND. Ensure that V_{CC} reaches at least 1.8V within the next 20 μ s.
3. Wait 20 to 60 μ s, and apply 11.5 to 12.5V to RESET.
4. Keep the Prog_enable pins unchanged for at least 10 μ s after the high-voltage has been applied to ensure the Prog_enable signature has been latched.
5. Wait at least 300 μ s before giving any parallel programming commands.
6. Exit programming mode by power the device down or by bringing RESET pin to 0V.

If the rise time of the V_{CC} is unable to fulfill the requirements listed above, the following alternative algorithm can be used.

1. Set Prog_enable pins listed in [Table 25-9 on page 260](#) to “0000”, RESET pin to “0” and V_{CC} to 0V.
2. Apply 4.5 to 5.5V between VCC and GND.
3. Monitor V_{CC} , and as soon as V_{CC} reaches 0.9 to 1.1V, apply 11.5 to 12.5V to RESET.
4. Keep the Prog_enable pins unchanged for at least 10 μ s after the high-voltage has been applied to ensure the Prog_enable signature has been latched.
5. Wait until V_{CC} actually reaches 4.5 to 5.5V before giving any parallel programming commands.
6. Exit programming mode by power the device down or by bringing RESET pin to 0V.

25.8.2 Considerations for Efficient Programming

The loaded command and address are retained in the device during programming. For efficient programming, the following should be considered.

- The command needs only be loaded once when writing or reading multiple memory locations.
- Skip writing the data value 0xFF, that is the contents of the entire EEPROM (unless the EESAVE Fuse is programmed) and Flash after a Chip Erase.
- Address high byte needs only be loaded before programming or reading a new 256 word window in Flash or 256 byte EEPROM. This consideration also applies to signature bytes reading.

25.8.3 Chip Erase

The chip erase will erase the flash and EEPROM⁽¹⁾ memories plus lock bits. The lock bits are not reset until the program memory has been completely erased. The fuse bits are not changed. A chip erase must be performed before the flash and/or EEPROM are reprogrammed.

Note: 1. The EEPROM memory is preserved during chip erase if the EESAVE fuse is programmed.

Load command "Chip Erase"

1. Set XA1, XA0 to "10". This enables command loading.
2. Set BS1 to "0".
3. Set DATA to "1000 0000". This is the command for chip erase.
4. Give XTAL1 a positive pulse. This loads the command.
5. Give \overline{WR} a negative pulse. This starts the chip erase. RDY/ \overline{BSY} goes low.
6. Wait until RDY/ \overline{BSY} goes high before loading a new command.

25.8.4 Programming the Flash

The flash is organized in pages, see [Table 25-12 on page 260](#). When programming the flash, the program data is latched into a page buffer. This allows one page of program data to be programmed simultaneously. The following procedure describes how to program the entire flash memory:

A. Load command "Write Flash"

1. Set XA1, XA0 to "10". This enables command loading.
2. Set BS1 to "0".
3. Set DATA to "0001 0000". This is the command for write flash.
4. Give XTAL1 a positive pulse. This loads the command.

B. Load address low byte

1. Set XA1, XA0 to "00". This enables address loading.
2. Set BS1 to "0". This selects low address.
3. Set DATA = Address low byte (0x00 - 0xFF).
4. Give XTAL1 a positive pulse. This loads the address low byte.

C. Load data low byte

5. Set XA1, XA0 to "01". This enables data loading.
6. Set DATA = Data low byte (0x00 - 0xFF).
7. Give XTAL1 a positive pulse. This loads the data byte.

D. Load data high byte

1. Set BS1 to "1". This selects high data byte.
2. Set XA1, XA0 to "01". This enables data loading.
3. Set DATA = Data high byte (0x00 - 0xFF).
4. Give XTAL1 a positive pulse. This loads the data byte.

E. Latch data

1. Set BS1 to "1". This selects high data byte.
2. Give PAGES a positive pulse. This latches the data bytes. (See [Figure 25-3 on page 264](#) for signal waveforms)

F. Repeat B through E until the entire buffer is filled or until all data within the page is loaded.

While the lower bits in the address are mapped to words within the page, the higher bits address the pages within the FLASH. This is illustrated in [Figure 25-2](#). Note that if less than eight bits are required to address words in the page (pagesize < 256), the most significant bit(s) in the address low byte are used to address the page when performing a page write.

G. Load address high byte

1. Set XA1, XA0 to "00". This enables address loading.
2. Set BS1 to "1". This selects high address.
3. Set DATA = Address high byte (0x00 - 0xFF).
4. Give XTAL1 a positive pulse. This loads the address high byte.

H. Program page

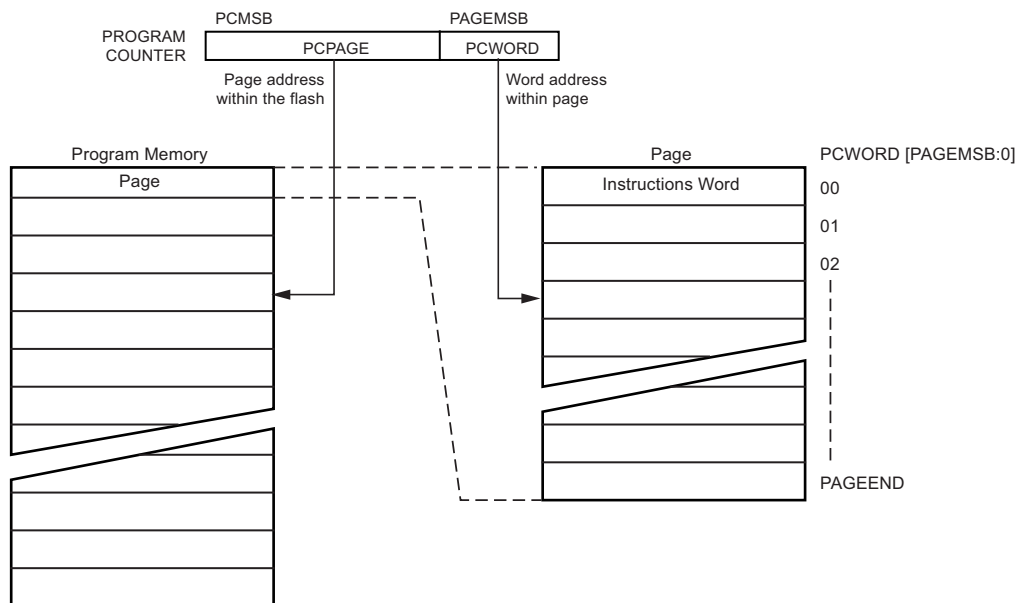
1. Give WR a negative pulse. This starts programming of the entire page of data. RDY/BSY goes low.
2. Wait until RDY/BSY goes high (See [Figure 25-3](#) for signal waveforms).

I. Repeat B through H until the entire flash is programmed or until all data has been programmed.

J. End page programming

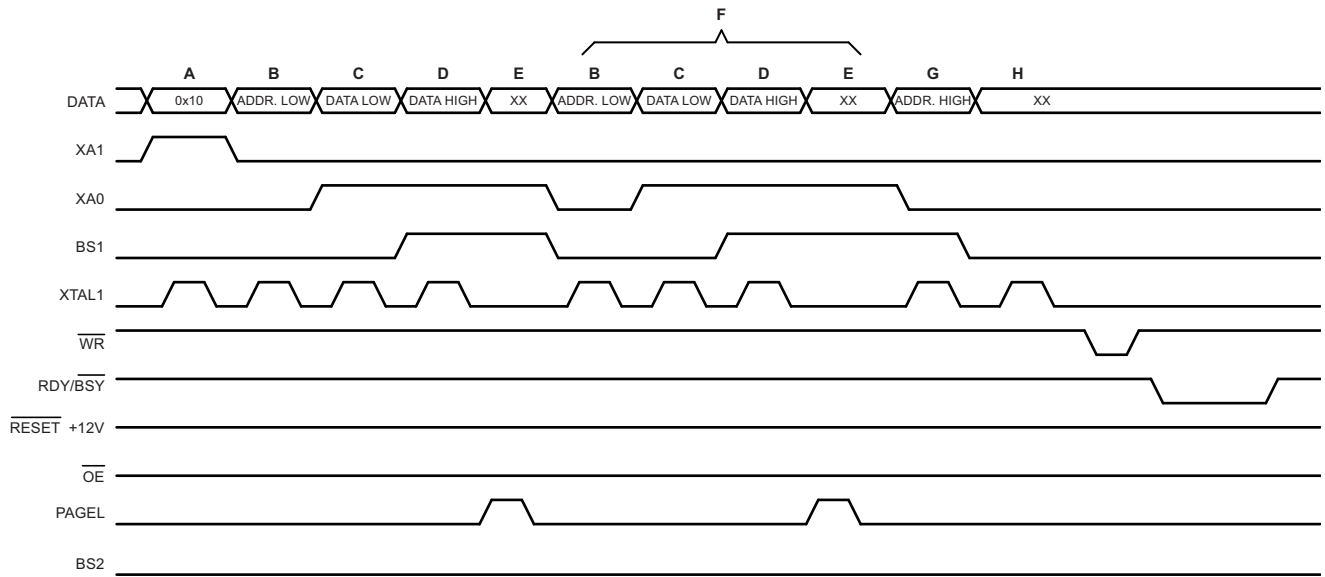
1. Set XA1, XA0 to "10". This enables command loading.
2. Set DATA to "0000 0000". This is the command for no operation.
3. Give XTAL1 a positive pulse. This loads the command, and the internal write signals are reset.

Figure 25-2. Addressing the Flash which is Organized in Pages⁽¹⁾



Note: 1. PCPAGE and PCWORD are listed in [Table 25-12 on page 260](#).

Figure 25-3. Programming the Flash Waveforms⁽¹⁾



Note: 1. "XX" is don't care. The letters refer to the programming description above.

25.8.5 Programming the EEPROM

The EEPROM is organized in pages, see [Table 25-13 on page 260](#). When programming the EEPROM, the program data is latched into a page buffer. This allows one page of data to be programmed simultaneously. The programming algorithm for the EEPROM data memory is as follows (refer to [Section 25.8.4 "Programming the Flash" on page 262](#) for details on command, address and data loading):

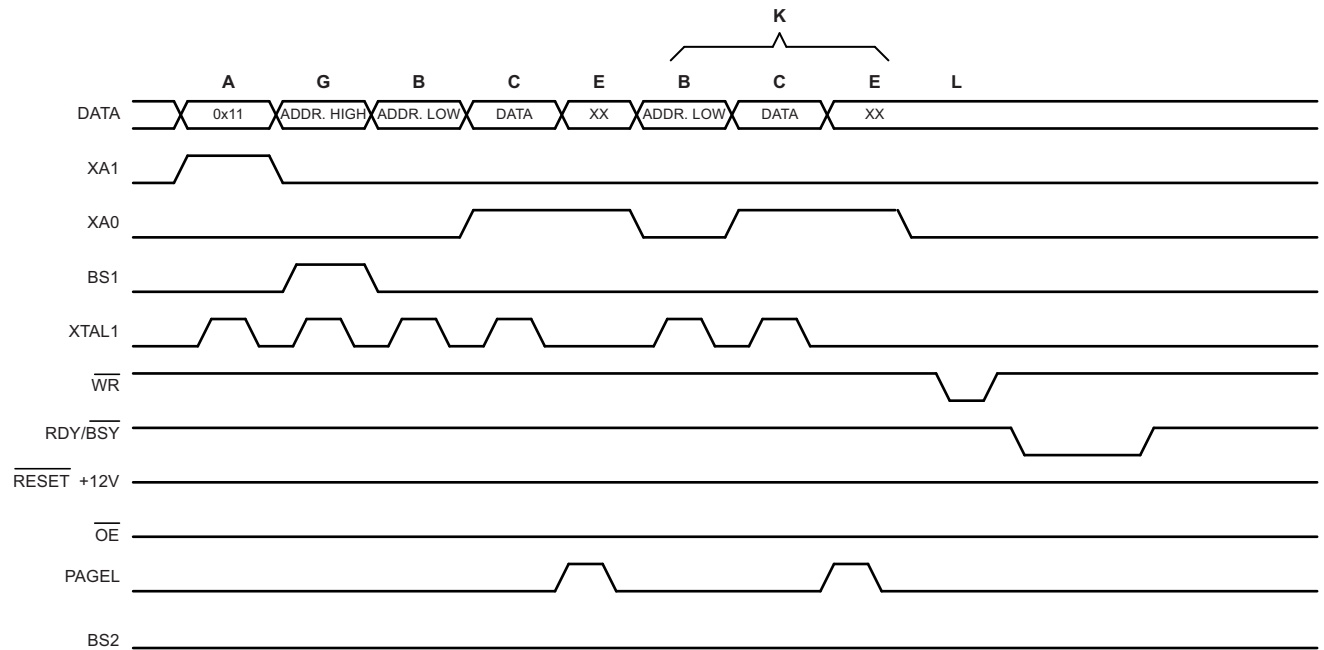
1. A: Load command "0001 0001".
2. G: Load address high byte (0x00 - 0xFF).
3. B: Load address low byte (0x00 - 0xFF).
4. C: Load data (0x00 - 0xFF).
5. E: Latch data (give PAGEL a positive pulse).

K: Repeat 3 through 5 until the entire buffer is filled.

L: Program EEPROM page

1. Set BS1 to "0".
2. Give \overline{WR} a negative pulse. This starts programming of the EEPROM page. $\overline{RDY/BSY}$ goes low.
3. Wait until $\overline{RDY/BSY}$ goes high before programming the next page (See [Figure 25-4 on page 265](#) for signal waveforms).

Figure 25-4. Programming the EEPROM Waveforms



25.8.6 Reading the Flash

The algorithm for reading the flash memory is as follows (refer to [Section 25.8.4 “Programming the Flash” on page 262](#) for details on command and address loading):

1. A: Load command “0000 0010”.
2. G: Load address High Byte (0x00 - 0xFF).
3. B: Load address Low Byte (0x00 - 0xFF).
4. Set \overline{OE} to “0”, and BS1 to “0”. The flash word low byte can now be read at DATA.
5. Set BS1 to “1”. The flash word high byte can now be read at DATA.
6. Set \overline{OE} to “1”.

25.8.7 Reading the EEPROM

The algorithm for reading the EEPROM memory is as follows (refer to [Section 25.8.4 “Programming the Flash” on page 262](#) for details on command and address loading):

1. A: Load command “0000 0011”.
2. G: Load address high byte (0x00 - 0xFF).
3. B: Load address low byte (0x00 - 0xFF).
4. Set \overline{OE} to “0”, and BS1 to “0”. The EEPROM data byte can now be read at DATA.
5. Set \overline{OE} to “1”.

25.8.8 Programming the Fuse Low Bits

The algorithm for programming the fuse low bits is as follows (refer to [Section 25.8.4 “Programming the Flash” on page 262](#) for details on command and data loading):

1. A: Load command “0100 0000”.
2. C: Load data low byte. Bit n = “0” programs and bit n = “1” erases the Fuse bit.
3. Give \overline{WR} a negative pulse and wait for RDY/ \overline{BSY} to go high.

25.8.9 Programming the Fuse High Bits

The algorithm for programming the fuse high bits is as follows (refer to [Section 25.8.4 “Programming the Flash” on page 262](#) for details on command and data loading):

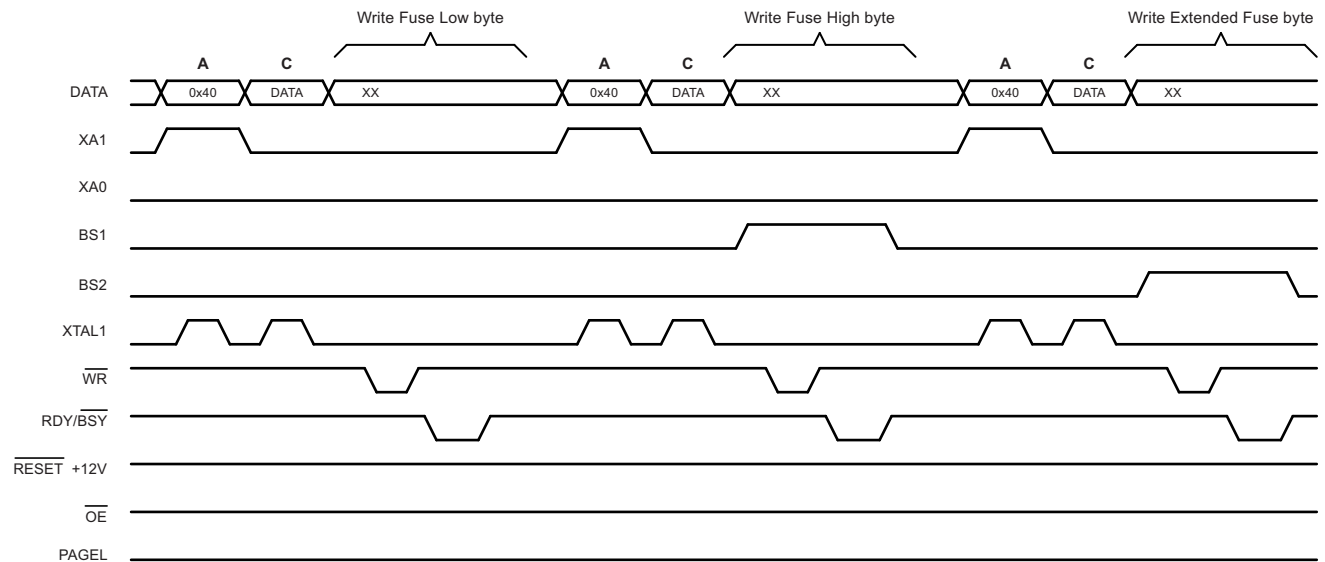
1. A: Load command “0100 0000”.
2. C: Load data low byte. Bit n = “0” programs and bit n = “1” erases the fuse bit.
3. Set BS1 to “1” and BS2 to “0”. This selects high data byte.
4. Give \overline{WR} a negative pulse and wait for RDY/ \overline{BSY} to go high.
5. Set BS1 to “0”. This selects low data byte.

25.8.10 Programming the Extended Fuse Bits

The algorithm for programming the extended fuse bits is as follows (refer to [Section 25.8.4 “Programming the Flash” on page 262](#) for details on command and data loading):

1. A: Load command “0100 0000”.
2. C: Load data low byte. Bit n = “0” programs and bit n = “1” erases the fuse bit.
3. Set BS1 to “0” and BS2 to “1”. This selects extended data byte.
4. Give \overline{WR} a negative pulse and wait for RDY/ \overline{BSY} to go high.
5. Set BS2 to “0”. This selects low data byte.

Figure 25-5. Programming the FUSES Waveforms



25.8.11 Programming the Lock Bits

The algorithm for programming the lock bits is as follows (refer to [Section 25.8.4 “Programming the Flash” on page 262](#) for details on command and data loading):

1. A: Load command “0010 0000”.
2. C: Load data low byte. Bit n = “0” programs the Lock bit. If LB mode 3 is programmed (LB1 and LB2 is programmed), it is not possible to program the boot lock bits by any external programming mode.
3. Give \overline{WR} a negative pulse and wait for RDY/ \overline{BSY} to go high.

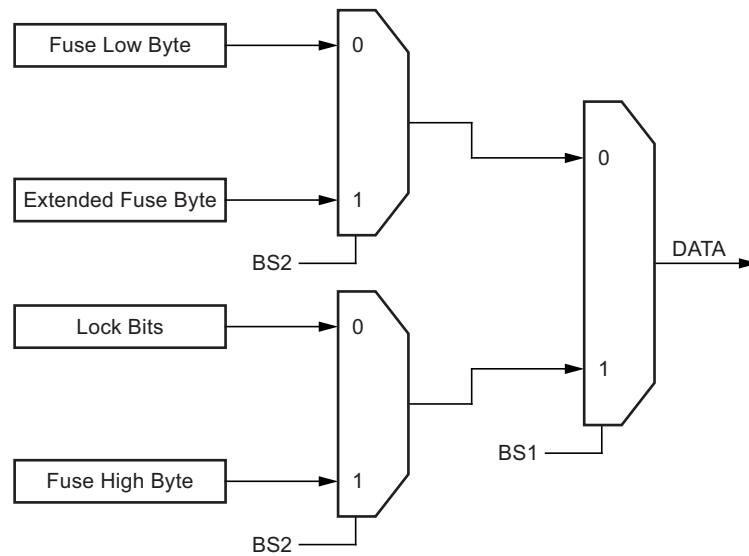
The lock bits can only be cleared by executing chip erase.

25.8.12 Reading the Fuse and Lock Bits

The algorithm for reading the fuse and lock bits is as follows (refer to [Section 25.8.4 “Programming the Flash” on page 262](#) for details on command loading):

1. A: Load command “0000 0100”.
2. Set \overline{OE} to “0”, BS2 to “0” and BS1 to “0”. The status of the fuse low bits can now be read at DATA (“0” means programmed).
3. Set \overline{OE} to “0”, BS2 to “1” and BS1 to “1”. The status of the fuse high bits can now be read at DATA (“0” means programmed).
4. Set OE to “0”, BS2 to “1”, and BS1 to “0”. The status of the extended fuse bits can now be read at DATA (“0” means programmed).
5. Set \overline{OE} to “0”, BS2 to “0” and BS1 to “1”. The status of the Lock bits can now be read at DATA (“0” means programmed).
6. Set \overline{OE} to “1”.

Figure 25-6. Mapping Between BS1, BS2 and the Fuse and Lock Bits during Read



25.8.13 Reading the Signature Bytes

The algorithm for reading the signature bytes is as follows (refer to [Section 25.8.4 “Programming the Flash” on page 262](#) for details on command and address loading):

1. A: Load command “0000 1000”.
2. B: Load address low byte (0x00 - 0x02).
3. Set \overline{OE} to “0”, and BS1 to “0”. The selected signature byte can now be read at DATA.
4. Set \overline{OE} to “1”.

25.8.14 Reading the Calibration Byte

The algorithm for reading the calibration byte is as follows (refer to [Section 25.8.4 “Programming the Flash” on page 262](#) for details on command and address loading):

1. A: Load command “0000 1000”.
2. B: Load address low byte, 0x00.
3. Set \overline{OE} to “0”, and BS1 to “1”. The calibration byte can now be read at DATA.
4. Set \overline{OE} to “1”.

25.8.15 Parallel Programming Characteristics

Figure 25-7. Parallel Programming Timing, Including some General Timing Requirements

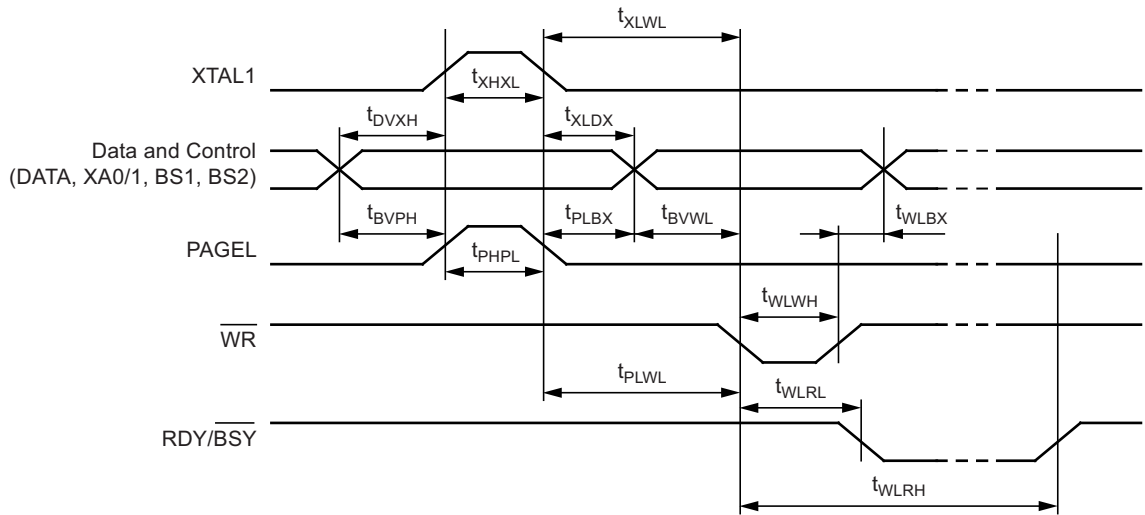
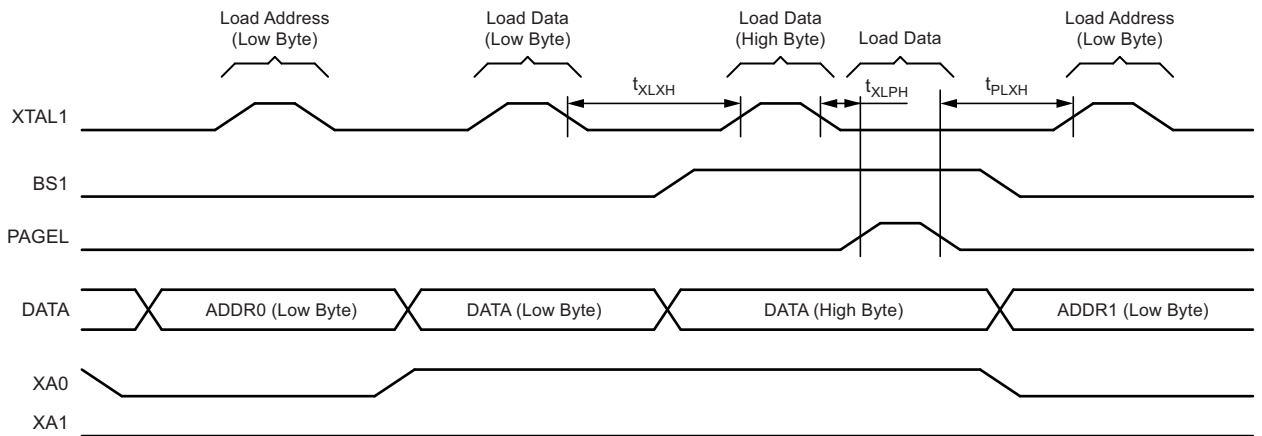
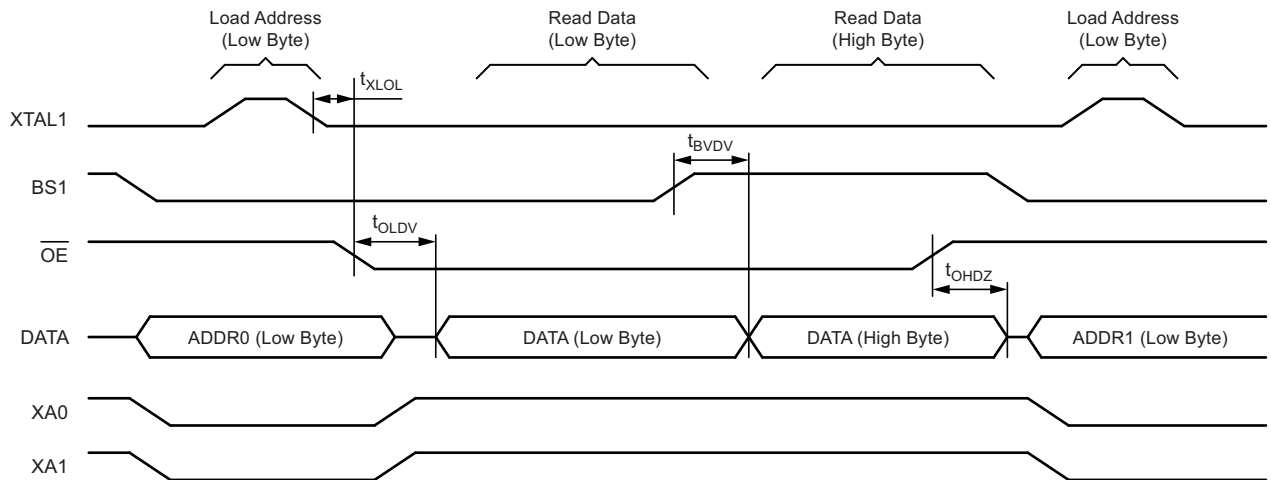


Figure 25-8. Parallel Programming Timing, Loading Sequence with Timing Requirements⁽¹⁾



Note: 1. The timing requirements shown in Figure 25-7 (i.e., t_{DVXH} , t_{XHXL} , and t_{XLDX}) also apply to loading operation.

Figure 25-9. Parallel Programming Timing, Reading Sequence (within the Same Page) with Timing Requirements⁽¹⁾



Note: 1. The timing requirements shown in Figure 25-7 (i.e., t_{DVXH} , t_{XHXL} , and t_{XLDX}) also apply to reading operation.

Table 25-15. Parallel Programming Characteristics, $V_{CC} = 5V \pm 10\%$

Parameter	Symbol	Min	Typ	Max	Unit
Programming enable voltage	V_{PP}	11.5		12.5	V
Programming enable current	I_{PP}			250	μA
Data and control valid before XTAL1 high	t_{DVXH}	67			ns
XTAL1 low to XTAL1 high	t_{XLXH}	200			ns
XTAL1 pulse width high	t_{XHXL}	150			ns
Data and control hold after XTAL1 low	t_{XLDX}	67			ns
XTAL1 low to \overline{WR} low	t_{XLWL}	0			ns
XTAL1 low to PAGED high	t_{XLPH}	0			ns
PAGED low to XTAL1 high	t_{PLXH}	150			ns
BS1 valid before PAGED high	t_{BVPH}	67			ns
PAGED pulse width high	t_{PHPL}	150			ns
BS1 hold after PAGED low	t_{PLBX}	67			ns
BS2/1 hold after \overline{WR} low	t_{WLBX}	67			ns
PAGED low to \overline{WR} low	t_{PLWL}	67			ns
BS1 valid to \overline{WR} low	t_{BVWL}	67			ns
\overline{WR} pulse width low	t_{WLWH}	150			ns
\overline{WR} low to RDY/BSY low	t_{WLRH}	0		1	μs
\overline{WR} low to RDY/BSY high ⁽¹⁾	t_{WLRH}	3.7		4.5	ms
\overline{WR} low to RDY/BSY high for chip erase ⁽²⁾	t_{WLRH_CE}	7.5		9	ms
XTAL1 low to \overline{OE} low	t_{XLLOL}	0			ns
BS1 valid to DATA valid	t_{BVDV}	0		250	ns
\overline{OE} low to DATA valid	t_{OLDV}			250	ns
\overline{OE} high to DATA tri-stated	t_{OHDZ}			250	ns

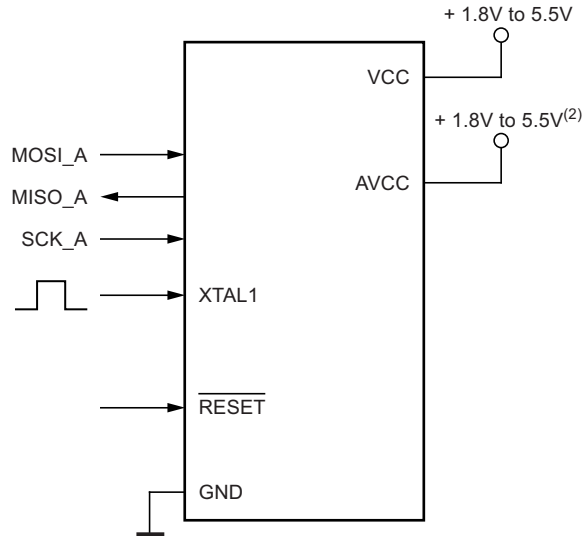
Notes: 1. t_{WLRH} is valid for the write flash, write EEPROM, write fuse bits and write lock bits commands.

2. t_{WLRH_CE} is valid for the chip erase command.

25.9 Serial Downloading

Both the flash and EEPROM memory arrays can be programmed using the serial SPI bus while $\overline{\text{RESET}}$ is pulled to GND. The serial interface consists of pins SCK, MOSI (input) and MISO (output). After $\overline{\text{RESET}}$ is set low, the programming enable instruction needs to be executed first before program/erase operations can be executed. Note, in [Table 25-14 on page 261](#), the pin mapping for SPI programming is listed. Not all parts use the SPI pins dedicated for the internal SPI interface.

Figure 25-10. Serial Programming and Verify⁽¹⁾



- Notes:
1. If the device is clocked by the internal Oscillator, it is no need to connect a clock source to the XTAL1 pin.
 2. $V_{CC} - 0.3V < AVCC < V_{CC} + 0.3V$, however, AVCC should always be within 1.8 to 5.5V

When programming the EEPROM, an auto-erase cycle is built into the self-timed programming operation (in the serial mode ONLY) and there is no need to first execute the chip erase instruction. The chip erase operation turns the content of every memory location in both the program and EEPROM arrays into 0xFF.

Depending on CKSEL fuses, a valid clock must be present. The minimum low and high periods for the serial clock (SCK) input are defined as follows:

Low: > 2 CPU clock cycles for $f_{ck} < 12\text{MHz}$, 3 CPU clock cycles for $f_{ck} \geq 12\text{MHz}$

High: > 2 CPU clock cycles for $f_{ck} < 12\text{MHz}$, 3 CPU clock cycles for $f_{ck} \geq 12\text{MHz}$

25.9.1 Serial Programming Algorithm

When writing serial data to the ATmega16/32/64/M1/C1, data is clocked on the rising edge of SCK.

When reading data from the ATmega16/32/64/M1/C1, data is clocked on the falling edge of SCK. See [Figure 25-11](#) for timing details.

To program and verify the ATmega16/32/64/M1/C1 in the serial programming mode, the following sequence is recommended (see four byte instruction formats in [Table 25-17](#)):

1. Power-up sequence:
Apply power between V_{CC} and GND while $\overline{\text{RESET}}$ and SCK are set to "0". In some systems, the programmer can not guarantee that SCK is held low during power-up. In this case, $\overline{\text{RESET}}$ must be given a positive pulse of at least two CPU clock cycles duration after SCK has been set to "0".
2. Wait for at least 20ms and enable serial programming by sending the programming enable serial instruction to pin MOSI.
3. The serial programming instructions will not work if the communication is out of synchronization. When in sync. the second byte (0x53), will echo back when issuing the third byte of the programming enable instruction. Whether the echo is correct or not, all four bytes of the instruction must be transmitted. If the 0x53 did not echo back, give $\overline{\text{RESET}}$ a positive pulse and issue a new programming enable command.

4. The flash is programmed one page at a time. The memory page is loaded one byte at a time by supplying the 6 LSB of the address and data together with the load program memory page instruction. To ensure correct loading of the page, the data low byte must be loaded before data high byte is applied for a given address. The program memory page is stored by loading the write program memory page instruction with the 8 MSB of the address. If polling is not used, the user must wait at least t_{WD_FLASH} before issuing the next page. (See [Table 25-16](#).) Accessing the serial programming interface before the flash write operation completes can result in incorrect programming.
5. The EEPROM array is programmed one byte at a time by supplying the address and data together with the appropriate write instruction. An EEPROM memory location is first automatically erased before new data is written. If polling is not used, the user must wait at least t_{WD_EEPROM} before issuing the next byte. (See [Table 25-16](#).) In a chip erased device, no 0xFFs in the data file(s) need to be programmed.
6. Any memory location can be verified by using the Read instruction which returns the content at the selected address at serial output MISO.
7. At the end of the programming session, \overline{RESET} can be set high to commence normal operation.
8. Power-off sequence (if needed): Set \overline{RESET} to "1". Turn V_{CC} power off.

25.9.2 Data Polling Flash

When a page is being programmed into the flash, reading an address location within the page being programmed will give the value 0xFF. At the time the device is ready for a new page, the programmed value will read correctly. This is used to determine when the next page can be written. Note that the entire page is written simultaneously and any address within the page can be used for polling. Data polling of the flash will not work for the value 0xFF, so when programming this value, the user will have to wait for at least t_{WD_FLASH} before programming the next page. As a chip-erased device contains 0xFF in all locations, programming of addresses that are meant to contain 0xFF, can be skipped. See [Table 25-16](#) for t_{WD_FLASH} value.

25.9.3 Data Polling EEPROM

When a new byte has been written and is being programmed into EEPROM, reading the address location being programmed will give the value 0xFF. At the time the device is ready for a new byte, the programmed value will read correctly. This is used to determine when the next byte can be written. This will not work for the value 0xFF, but the user should have the following in mind: As a chip-erased device contains 0xFF in all locations, programming of addresses that are meant to contain 0xFF, can be skipped. This does not apply if the EEPROM is re-programmed without chip erasing the device. In this case, data polling cannot be used for the value 0xFF, and the user will have to wait at least t_{WD_EEPROM} before programming the next byte. See [Table 25-16](#) for t_{WD_EEPROM} value.

Table 25-16. Minimum Wait Delay Before Writing the Next Flash or EEPROM Location

Symbol	Minimum Wait Delay
t_{WD_FLASH}	4.5ms
t_{WD_EEPROM}	3.6ms
t_{WD_ERASE}	9.0ms

Figure 25-11. Serial Programming Waveforms

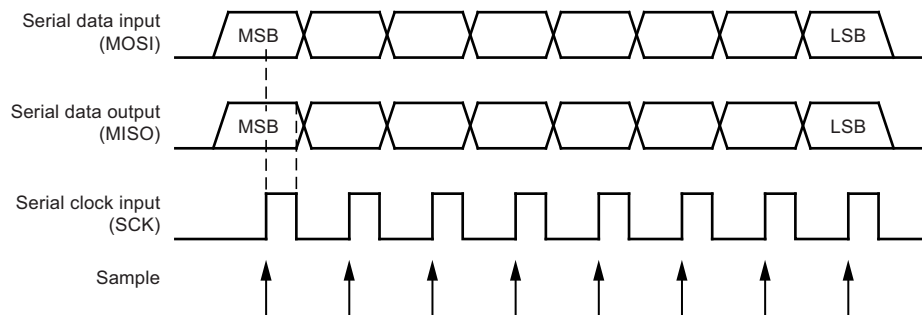


Table 25-17. Serial Programming Instruction Set

Instruction	Instruction Format				Operation
	Byte 1	Byte 2	Byte 3	Byte4	
Programming enable	1010 1100	0101 0011	xxxx xxxx	xxxx xxxx	Enable serial programming after $\overline{\text{RESET}}$ goes low.
Chip erase	1010 1100	100x xxxx	xxxx xxxx	xxxx xxxx	Chip erase EEPROM and flash.
Read program memory	0010 H000	000a aaaa	bbbb bbbb	oooo oooo	Read H (high or low) data o from program memory at word address a:b .
Load program memory page	0100 H000	000x xxxx	bbbb bbbb	iiii iiiii	Write H (high or low) data i to program memory page at word address b . Data low byte must be loaded before Data high byte is applied within the same address.
Write program memory page	0100 1100	aaaa aaaa	bbxx xxxx	xxxx xxxx	Write program memory page at address a:b .
Read EEPROM memory	1010 0000	000x xxaa	bbbb bbbb	oooo oooo	Read data o from EEPROM memory at address a:b .
Write EEPROM memory	1100 0000	000x xxaa	bbbb bbbb	iiii iiiii	Write data i to EEPROM memory at address a:b .
Load EEPROM memory page (page access)	1100 0001	0000 0000	0000 00bb	iiii iiiii	Load data i to EEPROM memory page buffer. After data is loaded, program EEPROM page.
Write EEPROM memory page (page access)	1100 0010	00xx xxaa	bbbb bb00	xxxx xxxx	Write EEPROM page at address a:b .
Read lock bits	0101 1000	0000 0000	xxxx xxxx	xxoo oooo	Read lock bits. "0" = programmed, "1" = unprogrammed. See Table 25-1 on page 255 for details.
Write lock bits	1010 1100	111x xxxx	xxxx xxxx	11ii iiiii	Write lock bits. Set bits = "0" to program lock bits. See Table 25-1 on page 255 for details.
Read signature byte	0011 0000	000x xxxx	xxxx xxbb	oooo oooo	Read signature byte o at address b .
Write fuse bits	1010 1100	1010 0000	xxxx xxxx	iiii iiiii	Set bits = "0" to program, "1" to unprogram.
Write fuse high bits	1010 1100	1010 1000	xxxx xxxx	iiii iiiii	Set bits = "0" to program, "1" to unprogram. See Table 25-6 on page 257 for details.
Write extended fuse bits	1010 1100	1010 0100	xxxx xxxx	xxii iiiii	Set bits = "0" to program, "1" to unprogram. See Table 25-4 on page 256 for details.
Read fuse bits	0101 0000	0000 0000	xxxx xxxx	oooo oooo	Read Fuse bits. "0" = programmed, "1" = unprogrammed.
Read fuse high bits	0101 1000	0000 1000	xxxx xxxx	oooo oooo	Read fuse high bits. "0" = programmed, "1" = unprogrammed. See Table 25-6 on page 257 for details.
Read extended fuse bits	0101 0000	0000 1000	xxxx xxxx	oooo oooo	Read extended fuse bits. "0" = programmed, "1" = unprogrammed. See Table 25-4 on page 256 for details.
Read calibration byte	0011 1000	000x xxxx	0000 0000	oooo oooo	Read calibration byte
Poll RDY/ $\overline{\text{BSY}}$	1111 0000	0000 0000	xxxx xxxx	xxxx xxoo	If o = "1", a programming operation is still busy. Wait until this bit returns to "0" before applying another command.
Note:	a = address high bits, b = address low bits, H = 0 - Low byte, 1 - High Byte, o = data out, i = data in, x = don't care				

25.9.4 SPI Serial Programming Characteristics

For characteristics of the SPI module see [Section 25.9.4 "SPI Serial Programming Characteristics" on page 272](#).

26. Electrical Characteristics

All DC/AC characteristics contained in this datasheet are based on simulations and characterization of similar devices in the same process and design methods. These values are preliminary representing design targets, and will be updated after characterization of actual automotive silicon data.

26.1 Absolute Maximum Ratings

Stresses beyond those listed under “Absolute Maximum Ratings” may cause permanent damage to the device. This is a stress rating only and functional operation of the device at these or any other conditions beyond those indicated in the operational sections of this specification is not implied. Exposure to absolute maximum rating conditions for extended periods may affect device reliability.

Parameters	Min.	Typ.	Max.	Unit
Operating temperature	-40		+125	°C
Storage temperature	-65		+150	°C
Voltage on any pin except $\overline{\text{RESET}}$ with respect to ground	-0.5		$V_{CC} + 0.5$	V
Voltage on $\overline{\text{RESET}}$ with respect to ground	-0.5		+13	V
Maximum operating voltage			6	V
DC current per I/O pin		40		mA
DC current V_{CC} and GND pins		200		mA
Injection current at $V_{CC} = 0V$ to 5V		$\pm 5^{(1)}$		mA

Note: 1. Maximum current per port = $\pm 30\text{mA}$

26.2 DC Characteristics

$T_A = -40^\circ\text{C}$ to $+125^\circ\text{C}$, $V_{CC} = 2.7V$ to $5.5V$ (unless otherwise noted)

Parameter	Condition	Symbol	Min.	Typ.	Max.	Unit
Input low voltage	Port B, C and D and XTAL1, XTAL2 pins as I/O	V_{IL}	-0.5		$0.2V_{CC}^{(1)}$	V
Input high voltage	Port B, C and D and XTAL1, XTAL2 pins as I/O	V_{IH}	$0.6V_{CC}^{(2)}$		$V_{CC} + 0.5$	V
Input low voltage	XTAL1 pin, external clock Selected	V_{IL1}	-0.5		$0.1V_{CC}^{(1)}$	V
Input high voltage	XTAL1 pin, external clock selected	V_{IH1}	$0.8V_{CC}^{(2)}$		$V_{CC} + 0.5$	V

- Notes:
- “Max” means the highest value where the pin is guaranteed to be read as low
 - “Min” means the lowest value where the pin is guaranteed to be read as high
 - Although each I/O port can sink more than the test conditions (10mA at $V_{CC} = 5V$, 6mA at $V_{CC} = 3V$) under steady state conditions (non-transient), the following must be observed:
 - The sum of all IOL, for ports B0 - B1, C2 - C3, D4, E1 - E2 should not exceed 70mA.
 - The sum of all IOL, for ports B6 - B7, C0 - C1, D0 -D3, E0 should not exceed 70mA.
 - The sum of all IOL, for ports B2 - B5, C4 - C7, D5 - D7 should not exceed 70mA.
 If IOL exceeds the test condition, VOL may exceed the related specification. Pins are not guaranteed to sink current greater than the listed test condition.
 - Although each I/O port can source more than the test conditions (10mA at $V_{CC} = 5V$, 8mA at $V_{CC} = 3V$) under steady state conditions (non-transient), the following must be observed:
 - The sum of all IOH, for ports B0 - B1, C2 - C3, D4, E1 - E2 should not exceed 100mA.
 - The sum of all IOH, for ports B6 - B7, C0 - C1, D0 -D3, E0 should not exceed 100mA.
 - The sum of all IOH, for ports B2 - B5, C4 - C7, D5 - D7 should not exceed 100mA.
 If IOH exceeds the test condition, VOH may exceed the related specification. Pins are not guaranteed to source current greater than the listed test condition.
 - Minimum V_{CC} for power-down is 2.5V.
 - The analog comparator Propagation Delay equals 1 comparator clock plus 30nS. See [Section 20. “Analog Comparator” on page 225](#) for comparator clock definition.

26.2 DC Characteristics (Continued)

$T_A = -40^\circ\text{C}$ to $+125^\circ\text{C}$, $V_{CC} = 2.7\text{V}$ to 5.5V (unless otherwise noted) (Continued)

Parameter	Condition	Symbol	Min.	Typ.	Max.	Unit
Input low voltage	$\overline{\text{RESET}}$ pin	V_{IL2}	-0.5		$0.2V_{CC}^{(1)}$	V
Input high voltage	$\overline{\text{RESET}}$ pin	V_{IH2}	$0.9V_{CC}^{(2)}$		$V_{CC} + 0.5$	V
Input low voltage	$\overline{\text{RESET}}$ pin as I/O	V_{IL3}	-0.5		$0.2V_{CC}^{(1)}$	V
Input high voltage	$\overline{\text{RESET}}$ pin as I/O	V_{IH3}	$0.8V_{CC}^{(2)}$		$V_{CC} + 0.5$	V
Output low voltage ⁽³⁾ (Port B, C and D and XTAL1, XTAL2 pins as I/O)	$I_{OL} = 10\text{mA}$, $V_{CC} = 5\text{V}$ $I_{OL} = 6\text{mA}$, $V_{CC} = 3\text{V}$	V_{OL}			0.7 0.5	V
Output high voltage ⁽⁴⁾ (Port B, C and D and XTAL1, XTAL2 pins as I/O)	$I_{OH} = -10\text{mA}$, $V_{CC} = 5\text{V}$ $I_{OH} = -8\text{mA}$, $V_{CC} = 3\text{V}$	V_{OH}	4.2 2.2			V V
Output low voltage ⁽³⁾ ($\overline{\text{RESET}}$ pin as I/O)	$I_{OL} = 2.1\text{mA}$, $V_{CC} = 5\text{V}$ $I_{OL} = 0.8\text{mA}$, $V_{CC} = 3\text{V}$	V_{OL3}			0.9 0.7	V V
Output high voltage ⁽⁴⁾ ($\overline{\text{RESET}}$ pin as I/O)	$I_{OH} = -0.6\text{mA}$, $V_{CC} = 5\text{V}$ $I_{OH} = -0.2\text{mA}$, $V_{CC} = 3\text{V}$	V_{OH3}	3.8 1.8			V V
Input leakage current I/O pin	$V_{CC} = 5.5\text{V}$, pin low (absolute value), except Port E	I_{IL}			50	nA
Input leakage current I/O Pin	$V_{CC} = 5.5\text{V}$, pin high (absolute value), except Port E	I_{IH}			50	nA
Reset pull-up resistor		R_{RST}	30		200	k Ω
I/O pin pull-up resistor		R_{pu}	20		50	k Ω

- Notes:
1. "Max" means the highest value where the pin is guaranteed to be read as low
 2. "Min" means the lowest value where the pin is guaranteed to be read as high
 3. Although each I/O port can sink more than the test conditions (10mA at $V_{CC} = 5\text{V}$, 6mA at $V_{CC} = 3\text{V}$) under steady state conditions (non-transient), the following must be observed:
 - 1] The sum of all IOL, for ports B0 - B1, C2 - C3, D4, E1 - E2 should not exceed 70mA.
 - 2] The sum of all IOL, for ports B6 - B7, C0 - C1, D0 -D3, E0 should not exceed 70mA.
 - 3] The sum of all IOL, for ports B2 - B5, C4 - C7, D5 - D7 should not exceed 70mA.
 If IOL exceeds the test condition, VOL may exceed the related specification. Pins are not guaranteed to sink current greater than the listed test condition.
 4. Although each I/O port can source more than the test conditions (10mA at $V_{CC} = 5\text{V}$, 8mA at $V_{CC} = 3\text{V}$) under steady state conditions (non-transient), the following must be observed:
 - 1] The sum of all IOH, for ports B0 - B1, C2 - C3, D4, E1 - E2 should not exceed 100mA.
 - 2] The sum of all IOH, for ports B6 - B7, C0 - C1, D0 -D3, E0 should not exceed 100mA.
 - 3] The sum of all IOH, for ports B2 - B5, C4 - C7, D5 - D7 should not exceed 100mA.
 If IOH exceeds the test condition, VOH may exceed the related specification. Pins are not guaranteed to source current greater than the listed test condition.
 5. Minimum V_{CC} for power-down is 2.5V.
 6. The analog comparator Propagation Delay equals 1 comparator clock plus 30nS. See [Section 20. "Analog Comparator" on page 225](#) for comparator clock definition.

26.2 DC Characteristics (Continued)

$T_A = -40^{\circ}\text{C}$ to $+125^{\circ}\text{C}$, $V_{CC} = 2.7\text{V}$ to 5.5V (unless otherwise noted) (Continued)

Parameter	Condition	Symbol	Min.	Typ.	Max.	Unit
Power supply current	Active 8MHz, $V_{CC} = 3\text{V}$, RC osc, PRR = 0xFF	I_{CC}		3.8	8	mA
	Active 16MHz, $V_{CC} = 5\text{V}$, Ext Clock, PRR = 0xFF			14	30	mA
	Idle (16K and 32K devices) $V_{CC} = 3\text{V}$, F = 8MHz $V_{CC} = 5\text{V}$, F = 16MHz			1.1 4.0	8 15	mA mA
	Idle (64K devices only) $V_{CC} = 3\text{V}$, F = 8MHz $V_{CC} = 5\text{V}$, F = 16MHz			1.5 5.8	8 15	mA mA
Power-down mode ⁽⁵⁾	WDT enabled, $V_{CC} = 5\text{V}$ $t_0 < 85^{\circ}\text{C}$	I_{CC}		8	30	μA
	WDT enabled, $V_{CC} = 5\text{V}$ $85^{\circ}\text{C} < t_0 < 125^{\circ}\text{C}$			21	120	μA
	WDT disabled, $V_{CC} = 5\text{V}$ $t_0 < 85^{\circ}\text{C}$			2	25	μA
	WDT disabled, $V_{CC} = 5\text{V}$ $85^{\circ}\text{C} < t_0 < 125^{\circ}\text{C}$			16	100	μA
Analog comparator Hysteresis Voltage	$V_{CC} = 5\text{V}$, $V_{in} = 3\text{V}$ Rising edge Falling edge	V_{hysr}	-100	25 -35	70	mV mV
Analog comparator Input leakage current	$V_{CC} = 5\text{V}$ $V_{in} = V_{CC}/2$	I_{ACLK}	-50		+50	nA
Analog comparator propagation delay	$V_{CC} = 2.7\text{V}$ $V_{CC} = 5.0\text{V}$	t_{ACID}		(6) (6)		ns
Current source value	$V_{CC} = 5\text{V}$: Max $R_{load} = 30\text{K}\Omega$ $V_{CC} = 3\text{V}$: Max $R_{load} = 15\text{K}\Omega$	I_{SRC}	95	100	105	μA

- Notes:
1. "Max" means the highest value where the pin is guaranteed to be read as low
 2. "Min" means the lowest value where the pin is guaranteed to be read as high
 3. Although each I/O port can sink more than the test conditions (10mA at $V_{CC} = 5\text{V}$, 6mA at $V_{CC} = 3\text{V}$) under steady state conditions (non-transient), the following must be observed:
 - 1] The sum of all IOL, for ports B0 - B1, C2 - C3, D4, E1 - E2 should not exceed 70mA.
 - 2] The sum of all IOL, for ports B6 - B7, C0 - C1, D0 - D3, E0 should not exceed 70mA.
 - 3] The sum of all IOL, for ports B2 - B5, C4 - C7, D5 - D7 should not exceed 70mA.
 If IOL exceeds the test condition, VOL may exceed the related specification. Pins are not guaranteed to sink current greater than the listed test condition.
 4. Although each I/O port can source more than the test conditions (10mA at $V_{CC} = 5\text{V}$, 8mA at $V_{CC} = 3\text{V}$) under steady state conditions (non-transient), the following must be observed:
 - 1] The sum of all IOH, for ports B0 - B1, C2 - C3, D4, E1 - E2 should not exceed 100mA.
 - 2] The sum of all IOH, for ports B6 - B7, C0 - C1, D0 - D3, E0 should not exceed 100mA.
 - 3] The sum of all IOH, for ports B2 - B5, C4 - C7, D5 - D7 should not exceed 100mA.
 If IOH exceeds the test condition, VOH may exceed the related specification. Pins are not guaranteed to source current greater than the listed test condition.
 5. Minimum V_{CC} for power-down is 2.5V.
 6. The analog comparator Propagation Delay equals 1 comparator clock plus 30nS. See [Section 20. "Analog Comparator" on page 225](#) for comparator clock definition.

26.3 Clock Characteristics

26.3.1 Calibrated Internal RC Oscillator Accuracy

Table 26-1. Calibration Accuracy of Internal RC Oscillator

Frequency	V _{CC}	Temperature	Calibration Accuracy
8.0MHz	3V	25°C	±2%

26.4 External Clock Drive Characteristics

Figure 26-1. External Clock Drive Waveforms

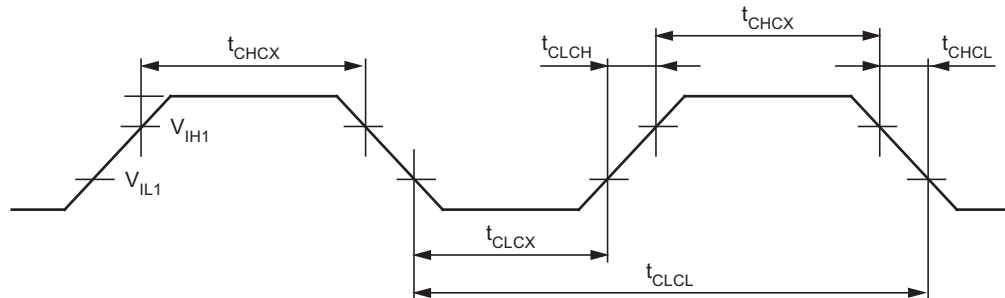


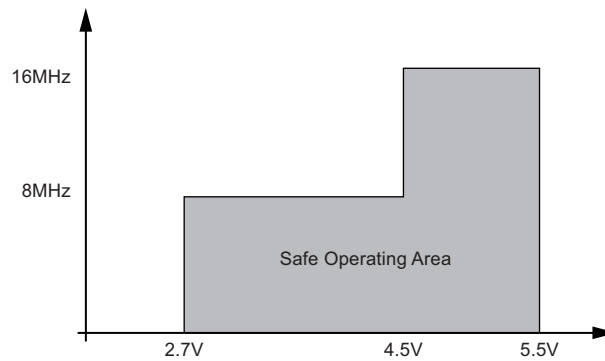
Table 26-2. External Clock Drive

Parameter	Symbol	V _{CC} = 2.7 to 5.5V		V _{CC} = 4.5 to 5.5V		Unit
		Min.	Max.	Min.	Max.	
Oscillator frequency	1/t _{CLCL}	0	8	0	16	MHz
Clock period	t _{CLCL}	125		62.5		ns
High time	t _{CHCX}	50		25		ns
Low time	t _{CLCX}	50		25		ns
Rise time	t _{CLCH}		1.6		0.5	µs
Fall time	t _{CHCL}		1.6		0.5	µs
Change in period from one clock cycle to the next	Δt _{CLCL}		2		2	%

26.5 Maximum Speed versus V_{CC}

Maximum frequency is depending on V_{CC} . As shown in Figure 26-2, the maximum frequency equals 8MHz when V_{CC} is between 2.7V and 4.5V and equals 16MHz when V_{CC} is between 4.5V and 5.5V.

Figure 26-2. Maximum Frequency versus V_{CC} , ATmega16/32/64/M1/C1



26.6 PLL Characteristics

Table 26-3. PLL Characteristics - $V_{CC} = 2.7V$ to $5.5V$ (unless otherwise noted)

Parameter	Symbol	Min.	Typ.	Max.	Unit
Input Frequency	PLL_{IF}	0.5	1	2	MHz
PLL Factor	PLL_F		64		
Lock-in Time	PLL_{LT}			80	μS

Note: While connected to external clock or external oscillator, PLL input frequency must be selected to provide outputs with frequency in accordance with driven parts of the circuit (CPU core, PSC...)

26.7 SPI Timing Characteristics

See [Figure 26-3](#) and [Figure 26-4](#) on page 279 for details.

Table 26-4. SPI Timing Parameters

No.	Description	Mode	Min.	Typ.	Max.	Unit
1	SCK period	Master		See Table 15-4 on page 139		ns
2	SCK high/low	Master		50% duty cycle		
3	Rise/Fall time	Master		3.6		
4	Setup	Master		10		
5	Hold	Master		10		
6	Out to SCK	Master		$0.5 \times t_{sck}$		
7	SCK to out	Master		10		
8	SCK to out high	Master		10		
9	SS low to out	Slave		15		
10	SCK period	Slave	$4 \times t_{ck}$			
11	SCK high/low ⁽¹⁾	Slave	$2 \times t_{ck}$			
12	Rise/Fall time	Slave			1600	
13	Setup	Slave	10			
14	Hold	Slave	t_{ck}			
15	SCK to out	Slave		15		
16	SCK to \overline{SS} high	Slave	20			
17	\overline{SS} high to tri-state	Slave		10		
18	SS low to SCK	Slave	20			

Note: In SPI Programming mode the minimum SCK high/low period is:

$-2 t_{CLCL}$ for $f_{CK} < 12\text{MHz}$

$-3 t_{CLCL}$ for $f_{CK} > 12\text{MHz}$

Figure 26-3. SPI Interface Timing Requirements (Master Mode)

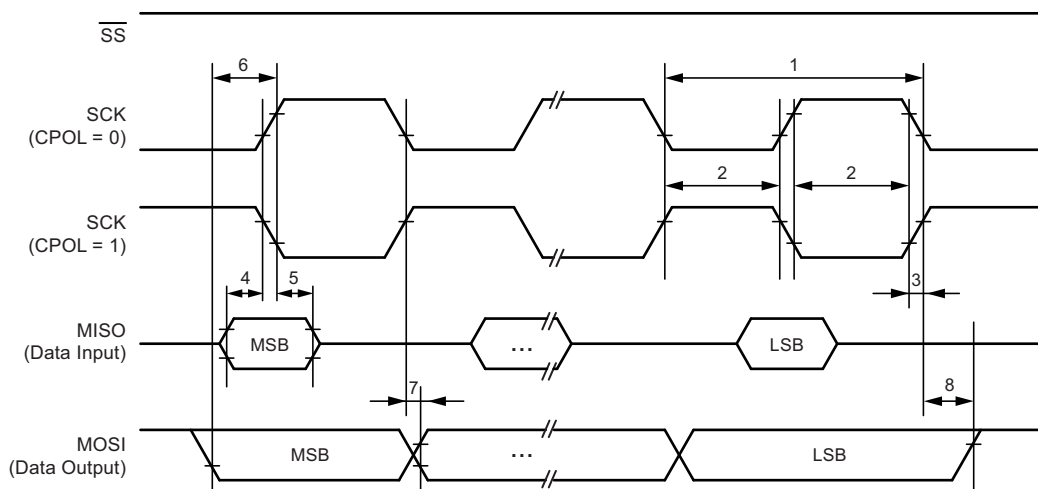
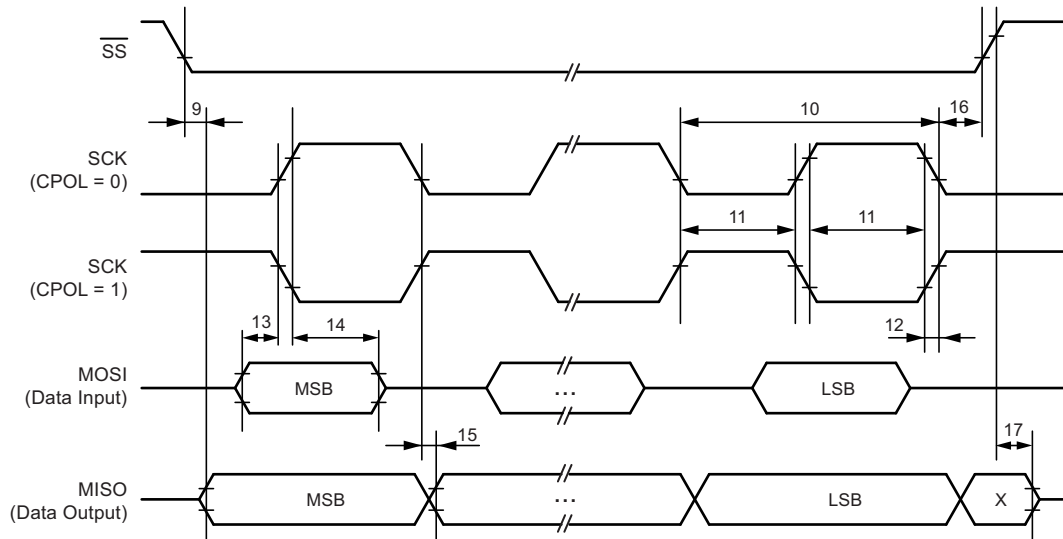


Figure 26-4. SPI Interface Timing Requirements (Slave Mode)



26.8 CAN Physical Layer Characteristics

Only pads dedicated to the CAN communication belong to the physical layer.

Table 26-5. CAN Physical Layer Characteristics⁽¹⁾

No.	Parameter	Condition	Min.	Max.	Unit
1	TxCAN output delay	$V_{CC} = 2.7V$ Load = 20pF $V_{OL}/V_{OH} = V_{CC}/2$		12	ns
		$V_{CC} = 4.5V$ Load = 20pF $V_{OL}/V_{OH} = V_{CC}/2$		7	
3	RxCAN input delay	$V_{CC} = 2.7V$ $V_{IL}/V_{IH} = V_{CC}/2$		$9 + 1/f_{CLKIO}^{(2)}$	
		$V_{CC} = 4.5V$ $V_{IL}/V_{IH} = V_{CC}/2$		$7.2 + 1/f_{CLKIO}^{(2)}$	

- Notes: 1. From design simulations.
2. Metastable immunity flip-flop.

26.9 ADC Characteristics

Table 26-6. ADC Characteristics in Single Ended Mode - $T_A = -40^{\circ}\text{C}$ to $+125^{\circ}\text{C}$, $V_{CC} = 2.7\text{V}$ to 5.5V (unless otherwise noted)

Parameter	Condition	Symbol	Min	Typ	Max	Unit
Resolution	Single Ended Conversion			10		Bits
Absolute accuracy	$V_{CC} = 5\text{V}$, $V_{REF} = 2.56\text{V}$ ADC clock = 1MHz	TUE		3.2	5.0	LSB
	$V_{CC} = 5\text{V}$, $V_{REF} = 2.56\text{V}$ ADC clock = 2MHz	TUE		3.2	5.0	LSB
Integral Non-linearity	$V_{CC} = 5\text{V}$, $V_{REF} = 2.56\text{V}$ ADC clock = 1MHz	INL		0.7	1.5	LSB
	$V_{CC} = 5\text{V}$, $V_{REF} = 2.56\text{V}$ ADC clock = 2MHz	INL		0.8	2.0	LSB
Differential Non-linearity	$V_{CC} = 5\text{V}$, $V_{REF} = 2.56\text{V}$ ADC clock = 1MHz	DNL		0.5	0.8	LSB
	$V_{CC} = 5\text{V}$, $V_{REF} = 2.56\text{V}$ ADC clock = 2MHz	DNL		0.6	1.4	LSB
Gain error	$V_{CC} = 5\text{V}$, $V_{REF} = 2.56\text{V}$ ADC clock = 1MHz		-9.0	-5.0	0.0	LSB
	$V_{CC} = 5\text{V}$, $V_{REF} = 2.56\text{V}$ ADC clock = 2MHz		-9.0	-5.0	0.0	LSB
Offset error	$V_{CC} = 5\text{V}$, $V_{REF} = 2.56\text{V}$ ADC clock = 1MHz		-2.0	+2.5	+5.0	LSB
	$V_{CC} = 5\text{V}$, $V_{REF} = 2.56\text{V}$ ADC clock = 2MHz		-2.0	+2.5	+5.0	LSB
Ref voltage		V_{REF}	2.56		AVCC	V

Table 26-7. ADC Characteristics in Differential Mode - $T_A = -40^{\circ}\text{C}$ to $+125^{\circ}\text{C}$, $V_{CC} = 2.7\text{V}$ to 5.5V (unless otherwise noted)

Parameter	Condition	Symbol	Min	Typ	Max	Unit
Resolution	Differential conversion, gain = 5x			8		Bits
	Differential conversion, gain = 10x			8		
	Differential conversion, gain = 20x			8		
	Differential conversion, gain = 40x			8		
Absolute accuracy	Gain = 5x, 10x, $V_{CC} = 5\text{V}$, $V_{REF} = 2.56\text{V}$, ADC clock = 2MHz	TUE		1.5	3.5	LSB
	Gain = 20x, $V_{CC} = 5\text{V}$, $V_{REF} = 2.56\text{V}$, ADC clock = 2MHz			1.5	4.0	
	Gain = 40x, $V_{CC} = 5\text{V}$, $V_{REF} = 2.56\text{V}$, ADC clock = 2MHz			1.5	4.5	
Integral non-linearity	Gain = 5x, 10x, $V_{CC} = 5\text{V}$, $V_{REF} = 2.56\text{V}$, ADC clock = 2MHz	INL		0.1	1.5	LSB
	Gain = 20x, $V_{CC} = 5\text{V}$, $V_{REF} = 2.56\text{V}$, ADC clock = 2MHz			0.2	2.5	
	Gain = 40x, $V_{CC} = 5\text{V}$, $V_{REF} = 2.56\text{V}$, ADC clock = 1MHz			0.3	3.5	
	Gain = 40x, $V_{CC} = 5\text{V}$, $V_{REF} = 2.56\text{V}$, ADC clock = 2MHz			0.7	4.5	
Differential non-linearity	Gain = 5x, 10x, $V_{CC} = 5\text{V}$, $V_{REF} = 2.56\text{V}$, ADC clock = 2MHz	DNL		0.1	1.0	LSB
	Gain = 20x, $V_{CC} = 5\text{V}$, $V_{REF} = 2.56\text{V}$, ADC clock = 2MHz			0.2	1.5	
	Gain = 40x, $V_{CC} = 5\text{V}$, $V_{REF} = 2.56\text{V}$, ADC clock = 2MHz			0.3	2.5	
Gain error	Gain = 5x, 10x, $V_{CC} = 5\text{V}$, $V_{REF} = 2.56\text{V}$, ADC clock = 2MHz		-3.0		+3.0	LSB
	Gain = 20x, 40x, $V_{CC} = 5\text{V}$, $V_{REF} = 2.56\text{V}$, ADC clock = 2MHz		-3.0		+3.0	
Offset error	Gain = 5x, 10x, $V_{CC} = 5\text{V}$, $V_{REF} = 2.56\text{V}$, ADC clock = 2MHz		-3.0		+3.0	LSB
	Gain = 20x, 40x, $V_{CC} = 5\text{V}$, $V_{REF} = 2.56\text{V}$, ADC clock = 2MHz		-4.0		+4.0	
Ref voltage		V_{REF}	2.56		$AV_{CC} - 0.5$	V

26.10 Parallel Programming Characteristics

Figure 26-5. Parallel Programming Timing, Including some General Timing Requirements

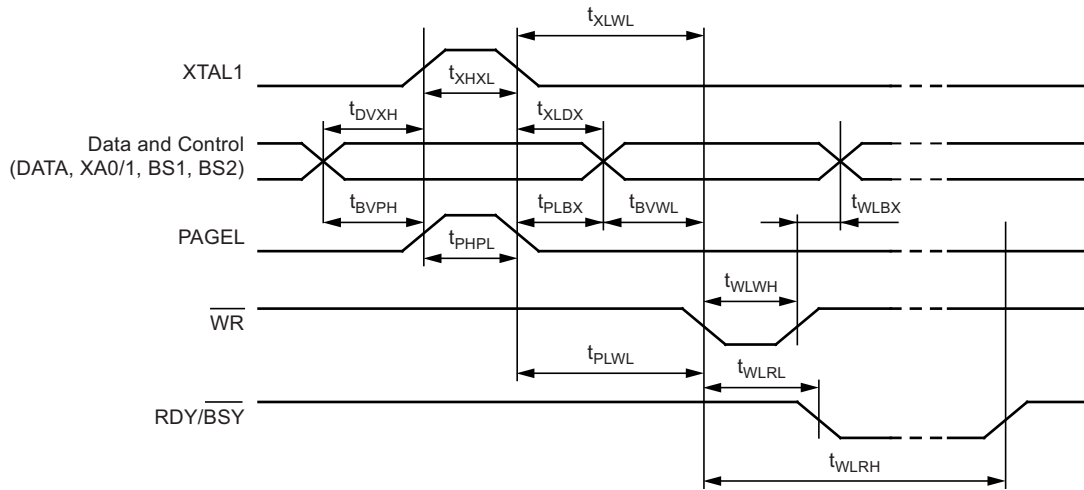
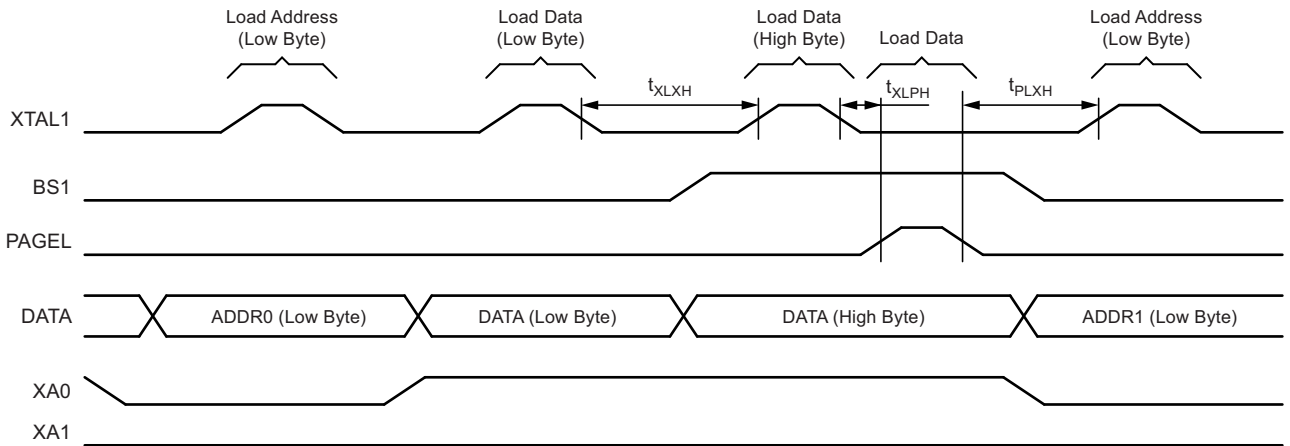
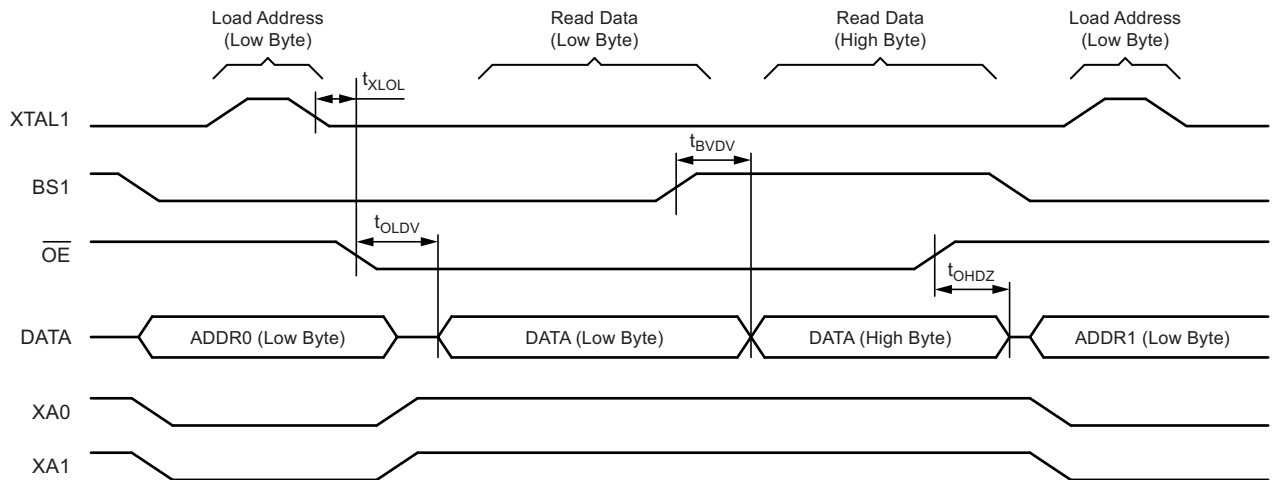


Figure 26-6. Parallel Programming Timing, Loading Sequence with Timing Requirements⁽¹⁾



Note: 1. The timing requirements shown in Figure 25-7 on page 268 (i.e., t_{DVXH} , t_{XHXL} , and t_{XLDX}) also apply to loading operation.

Figure 26-7. Parallel Programming Timing, Reading Sequence (within the Same Page) with Timing Requirements⁽¹⁾



Note: 1. The timing requirements shown in [Figure 25-7 on page 268](#) (i.e., t_{DVXH} , t_{XHXL} , and t_{XLDX}) also apply to reading operation.

Table 26-8. Parallel Programming Characteristics, $V_{CC} = 5V \pm 10\%$

Parameter	Symbol	Min.	Typ.	Max.	Unit
Programming enable voltage	V_{PP}	11.5		12.5	V
Programming enable current	I_{PP}			250	μA
Data and control valid before XTAL1 high	t_{DVXH}	67			ns
XTAL1 low to XTAL1 high	t_{XLXH}	200			ns
XTAL1 pulse width high	t_{XHXL}	150			ns
Data and control hold after XTAL1 low	t_{XLDX}	67			ns
XTAL1 low to \overline{WR} low	t_{XLWL}	0			ns
XTAL1 low to PAGES high	t_{XLPH}	0			ns
PAGES low to XTAL1 high	t_{PLXH}	150			ns
BS1 valid before PAGES high	t_{BVPH}	67			ns
PAGES pulse width high	t_{PHPL}	150			ns
BS1 hold after PAGES low	t_{PLBX}	67			ns
BS2/1 hold after \overline{WR} low	t_{WLBX}	67			ns
PAGES low to \overline{WR} low	t_{PLWL}	67			ns
BS1 valid to \overline{WR} low	t_{BVWL}	67			ns
\overline{WR} pulse width low	t_{WLWH}	150			ns
\overline{WR} low to RDY/ \overline{BSY} low	t_{WLRL}	0		1	μs
\overline{WR} low to RDY/ \overline{BSY} high ⁽¹⁾	t_{WLRH}	3.7		5	ms
\overline{WR} low to RDY/ \overline{BSY} high for chip erase ⁽²⁾	t_{WLRH_CE}	7.5		10	ms
XTAL1 low to \overline{OE} low	t_{XLLOL}	0			ns
BS1 valid to DATA valid	t_{BVDV}	0		250	ns
\overline{OE} low to DATA valid	t_{OLDV}			250	ns
\overline{OE} high to DATA tri-stated	t_{OHDZ}			250	ns

Notes: 1. t_{WLRH} is valid for the write flash, write EEPROM, write fuse bits and write lock bits commands.

2. t_{WLRH_CE} is valid for the chip erase command.

27. ATmega16/32/64/M1/C1 Typical Characteristics

All DC characteristics contained in this datasheet are based on simulations and characterization of similar devices in the same process and design methods. These values are preliminary representing design targets, and will be updated after characterization of actual automotive silicon data.

The following charts show typical behavior. These figures are not tested during manufacturing. All current consumption measurements are performed with all I/O pins configured as inputs and with internal pull-ups enabled. A sine wave generator with rail-to-rail output is used as clock source.

All active- and idle current consumption measurements are done with all bits in the PRR register set and thus, the corresponding I/O modules are turned off. Also the analog comparator is disabled during these measurements. [Table 27-1 on page 287](#) shows the additional current consumption compared to I_{CC} active and I_{CC} idle for every I/O module controlled by the power reduction register. See [Section 6.6 “Power Reduction Register” on page 36](#) for details.

The power consumption in Power-down mode is independent of clock selection.

The current consumption is a function of several factors such as: operating voltage, operating frequency, loading of I/O pins, switching rate of I/O pins, code executed and ambient temperature. The dominating factors are operating voltage and frequency.

The current drawn from capacitive loaded pins may be estimated (for one pin) as $C_L \times V_{CC} \times f$ where C_L = load capacitance, V_{CC} = operating voltage and f = average switching frequency of I/O pin.

The parts are characterized at frequencies higher than test limits. Parts are not guaranteed to function properly at frequencies higher than the ordering code indicates.

The difference between current consumption in power-down mode with watchdog timer enabled and power-down mode with watchdog timer disabled represents the differential current drawn by the watchdog timer.

27.1 Active Supply Current

Figure 27-1. Active Supply Current versus Frequency (0.1 to 1.0MHz)

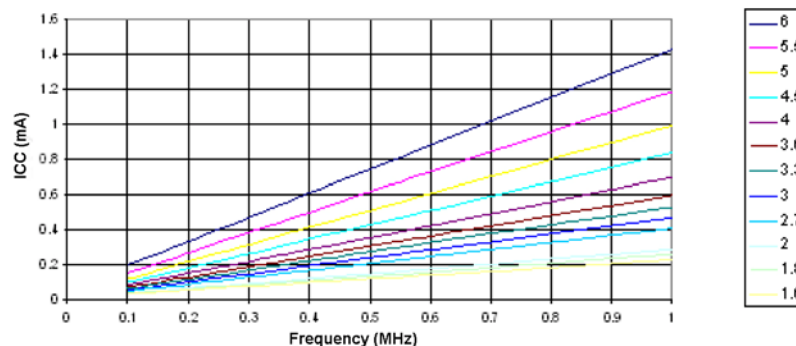


Figure 27-2. Active Supply Current versus Frequency (1 to 24MHz)

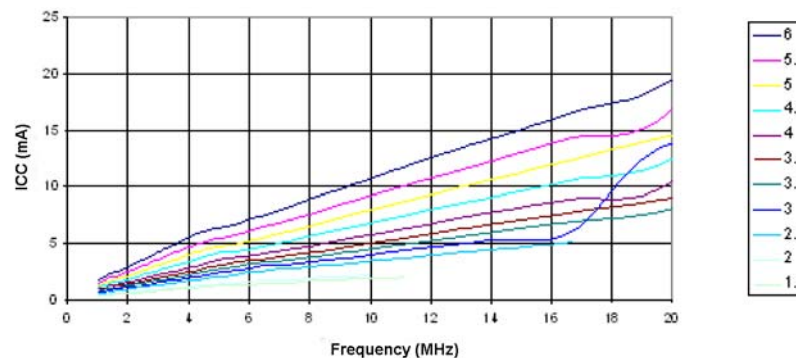


Figure 27-3. Active Supply Current versus V_{CC} (Internal RC Oscillator, 8MHz)

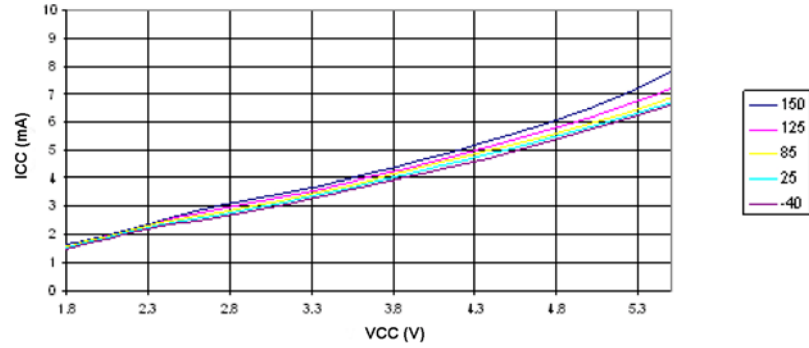
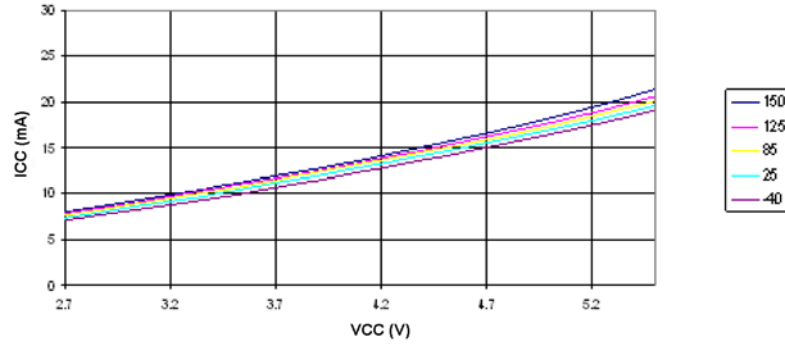


Figure 27-4. Active Supply Current versus V_{CC} (Internal PLL Oscillator, 16MHz)



27.2 Idle Supply Current

Figure 27-5. Idle Supply Current versus Frequency (0.1 to 1.0MHz)

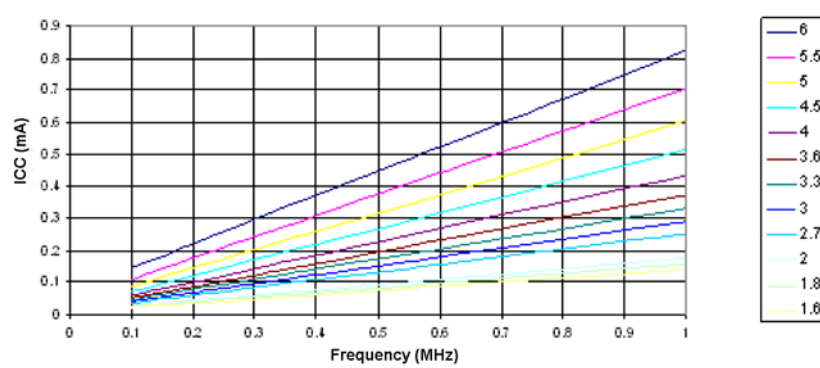


Figure 27-6. Idle Supply Current versus Frequency (1 to 24MHz)

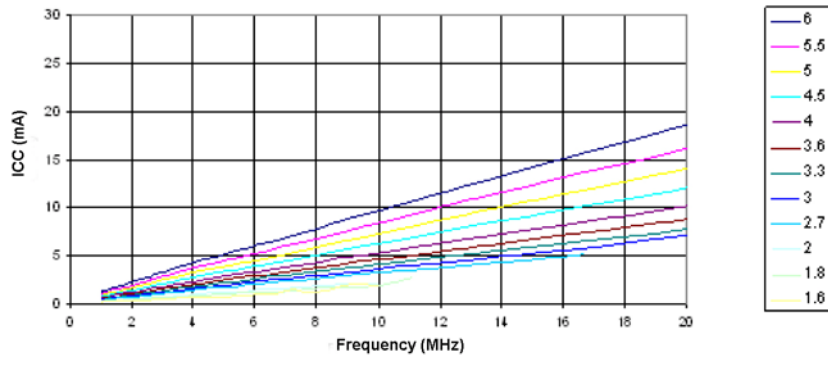


Figure 27-7. Idle Supply Current versus V_{CC} (Internal RC Oscillator, 8MHz)

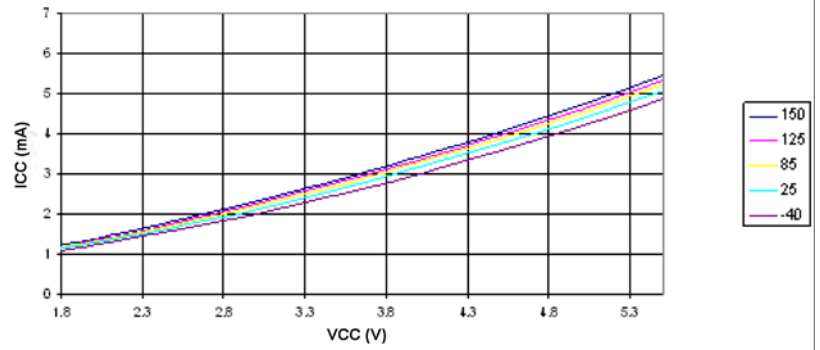
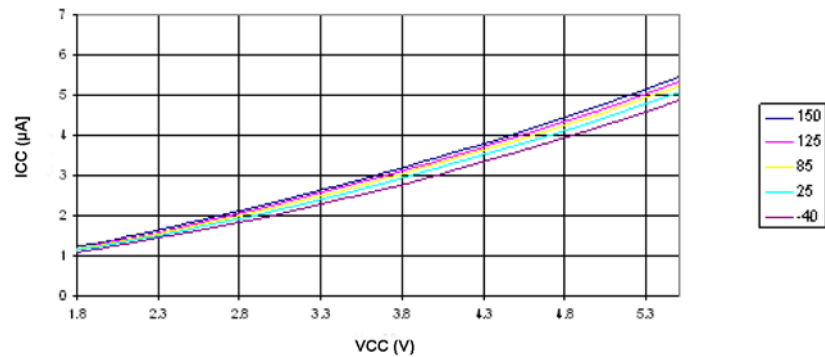


Figure 27-8. Idle Supply Current versus V_{CC} (Internal PLL Oscillator, 16MHz)



27.2.1 Using the Power Reduction Register

The tables and formulas below can be used to calculate the additional current consumption for the different I/O modules in Idle mode. The enabling or disabling of the I/O modules are controlled by the power reduction register. See [Section 6.6 "Power Reduction Register"](#) on page 36 for details.

Table 27-1. Additional Current Consumption (Percentage) in Active and Idle Mode

	Typical I_{CC} (μ A)	
	Percent of Added Consumption	
	$V_{CC} = 5.0V, 16Mhz$	$V_{CC} = 3.0V, 8Mhz$
PRCAN	13	12
PRPSC	8	7.5
PRTIM1	2	2
PRTIM0	1	1
PRSPI	2	2
PRLIN	5.5	5
PRADC	5	4.5

27.3 Power-down Supply Current

Figure 27-9. Power-down Supply Current versus V_{CC} (Watchdog Timer Disabled)

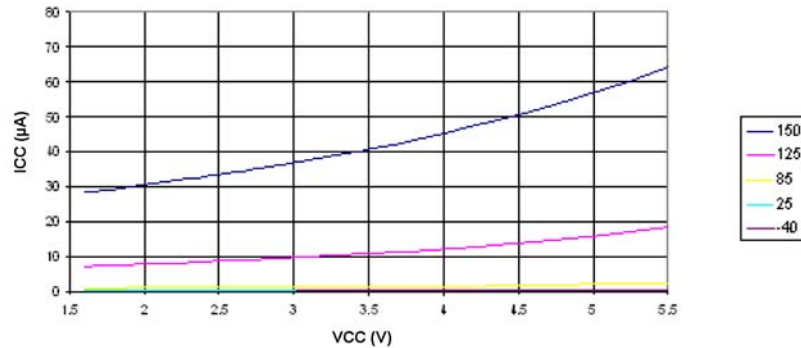
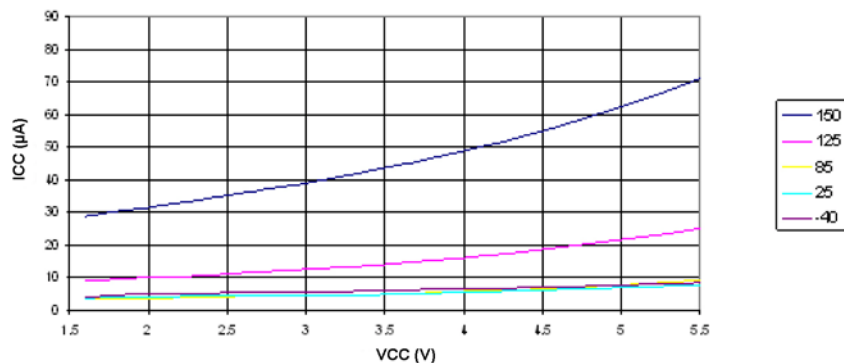


Figure 27-10. Power-down Supply Current versus V_{CC} (Watchdog Timer Enabled)



27.4 Pin Pull-up

Figure 27-11. I/O Pin Pull-up Resistor Current versus Input Voltage ($V_{CC} = 5V$)

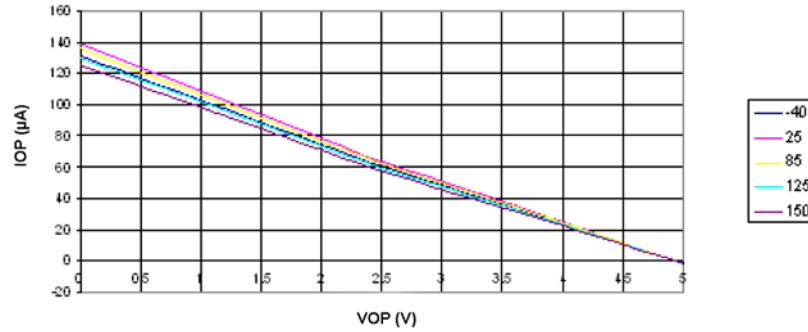


Figure 27-12. I/O Pin Pull-up Resistor Current versus Input Voltage ($V_{CC} = 2.7V$)

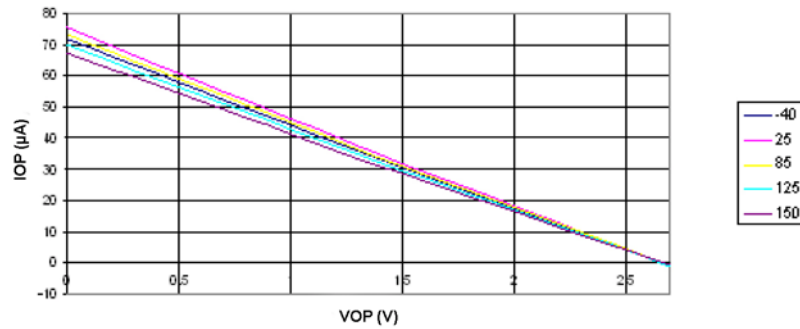


Figure 27-13. Reset Pull-up Resistor Current versus Reset Pin Voltage ($V_{CC} = 5V$)

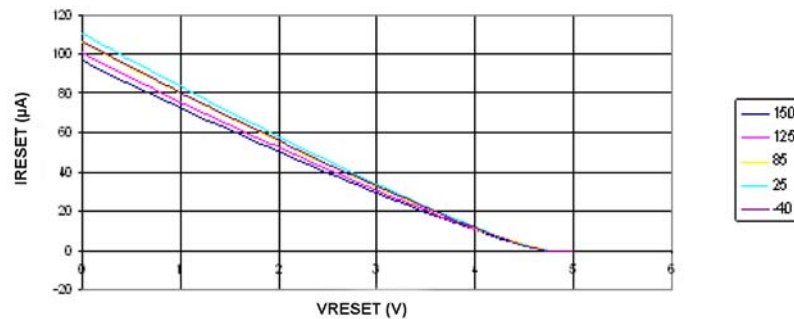
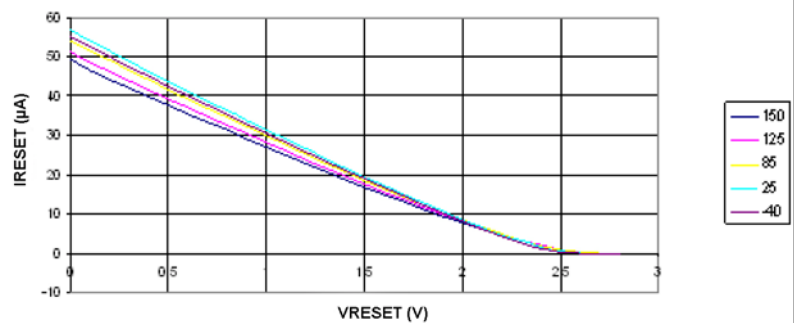


Figure 27-14. Reset Pull-up Resistor Current versus Reset Pin Voltage ($V_{CC} = 2.7V$)



27.5 Pin Driver Strength

Figure 27-15. I/O Pin Output Voltage versus Source Current ($V_{CC} = 5V$)

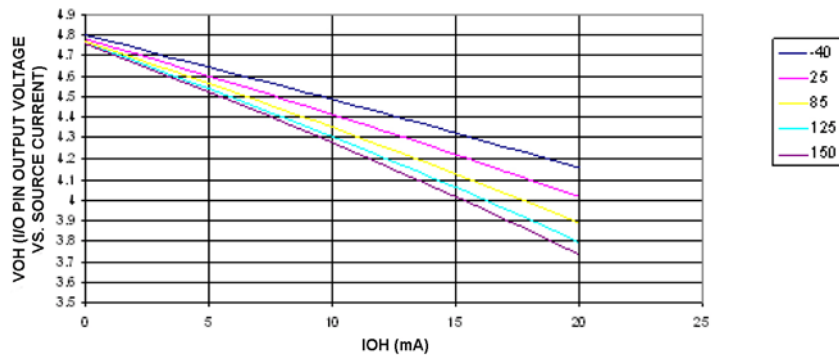


Figure 27-16. I/O Pin Output Voltage versus Source Current ($V_{CC} = 3V$)

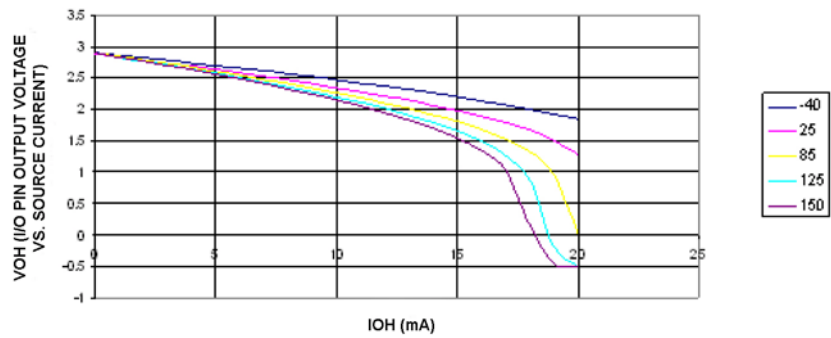


Figure 27-17. I/O Pin Low Output Voltage versus Source Current ($V_{CC} = 5V$)

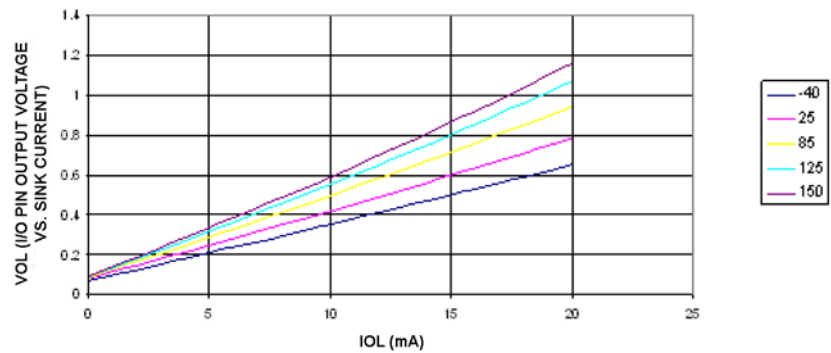
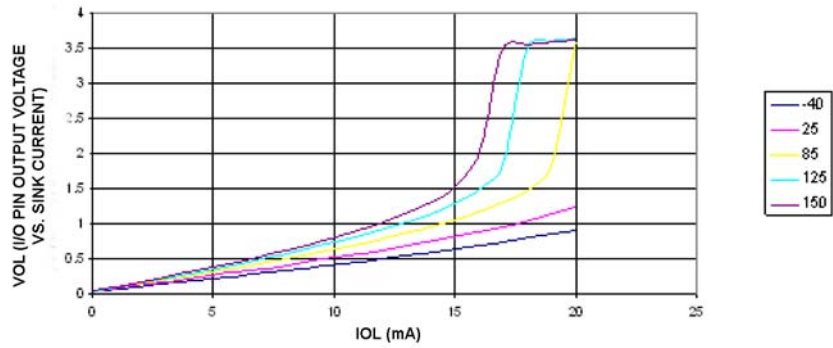


Figure 27-18. I/O Pin Low Output Voltage versus Source Current ($V_{CC} = 3V$)



27.6 Pin Thresholds and Hysteresis

Figure 27-19. I/O Pin Input Threshold Voltage versus V_{CC} (V_{IH} , I/O Pin Read As '1')

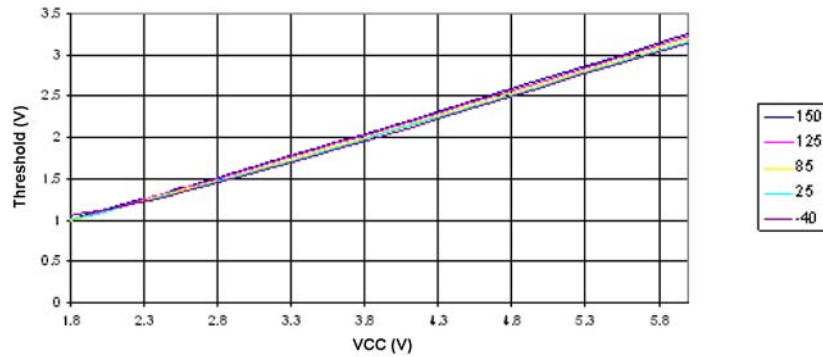


Figure 27-20. I/O Pin Input Threshold Voltage versus V_{CC} (V_{IL} , I/O Pin Read As '0')

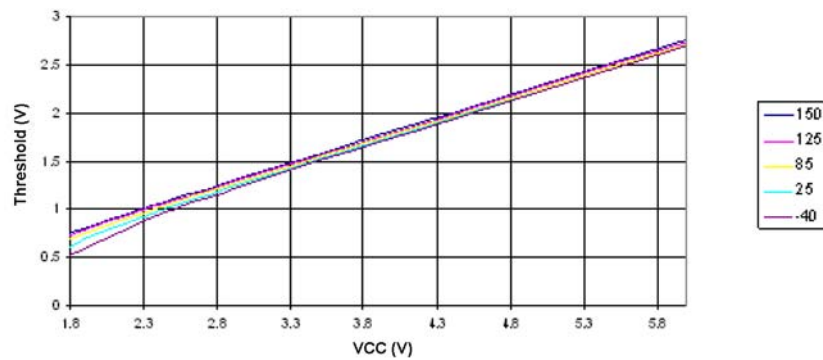


Figure 27-21. I/O Pin Input Hysteresis Voltage versus V_{CC}

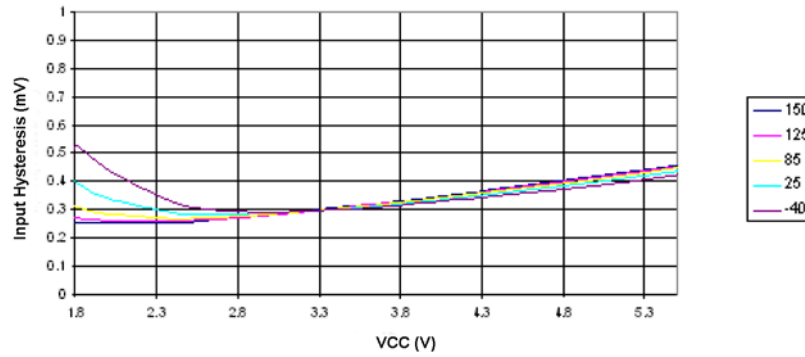


Figure 27-22. Reset Input Threshold Voltage versus V_{CC} (V_{IH} , Reset Pin Read As '1')

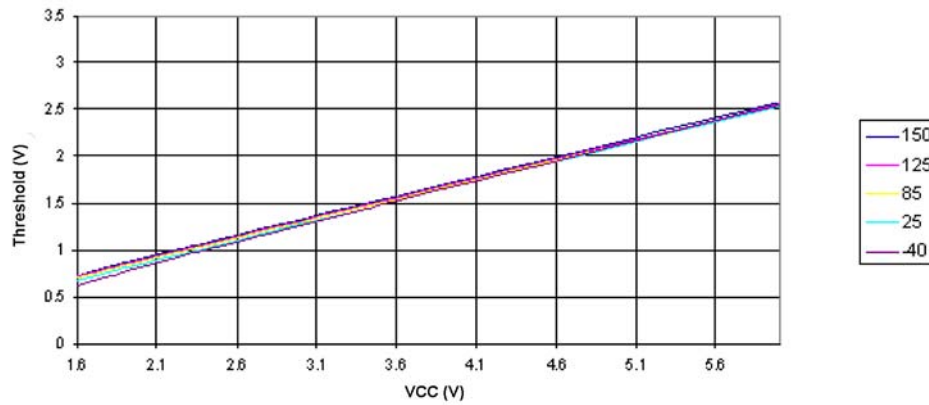


Figure 27-23. Reset Input Threshold Voltage versus V_{CC} (V_{IL} , Reset Pin Read As '0')

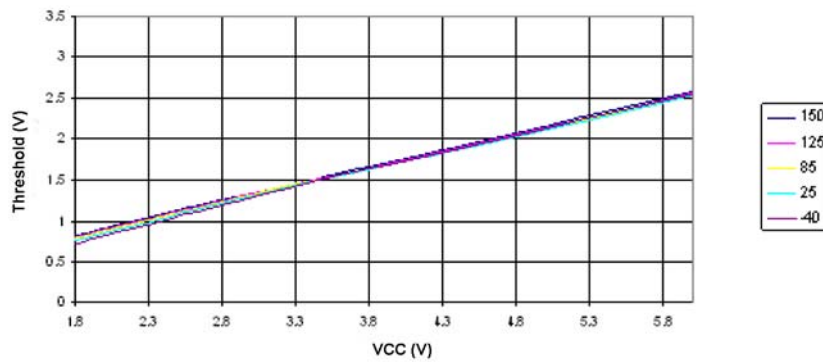


Figure 27-24. XTAL1 Input Threshold Voltage versus V_{CC} (XTAL1 Pin Read As '1')

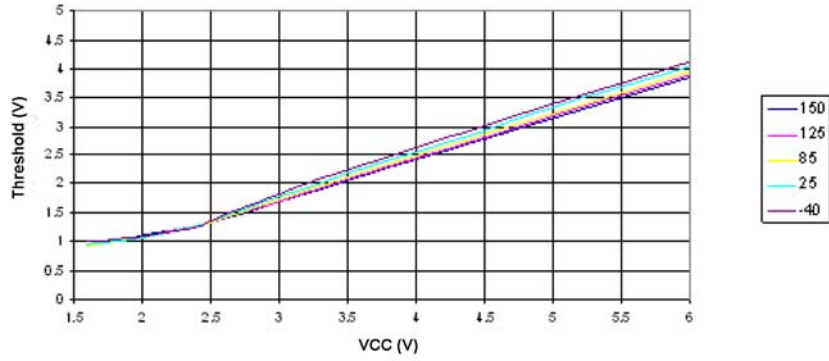
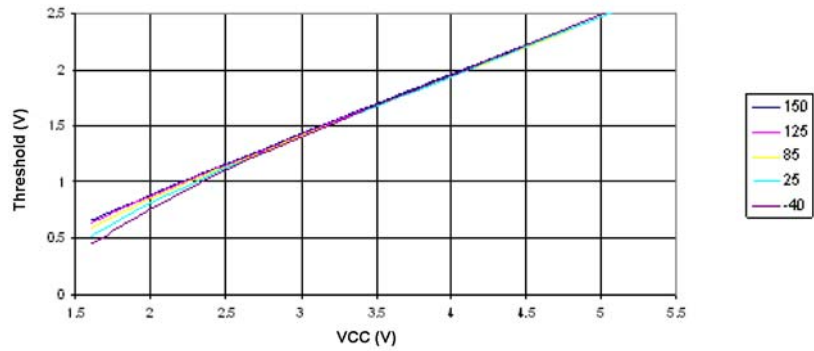


Figure 27-25. XTAL1 Input Threshold Voltage versus V_{CC} (XTAL1 Pin Read As '0')



27.7 BOD Thresholds and Analog Comparator Hysteresis

Figure 27-26. BOD Thresholds versus Temperature (BODLEVEL Is 4.3V)

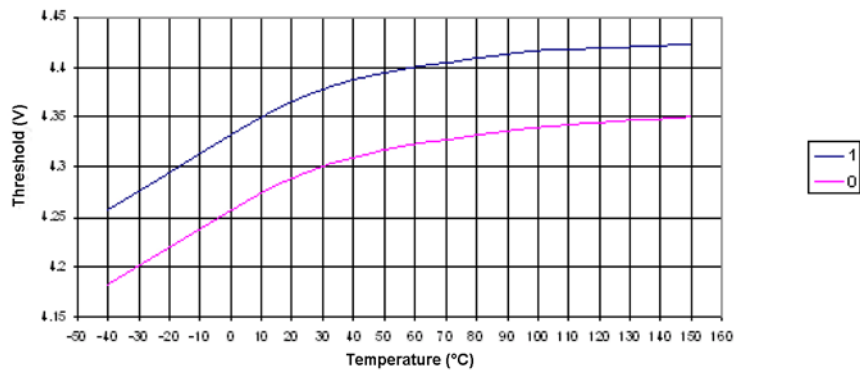


Figure 27-27. BOD Thresholds versus Temperature (BODLEVEL Is 2.7V)

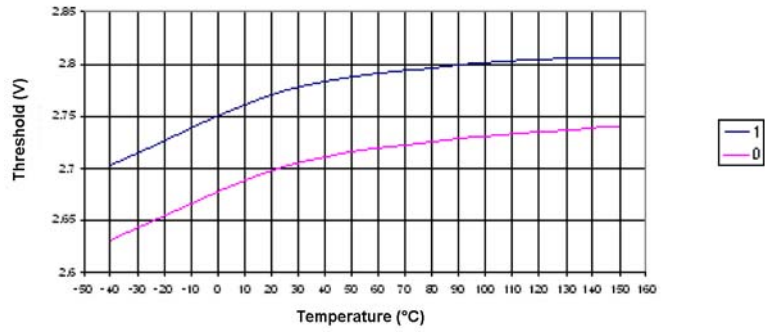
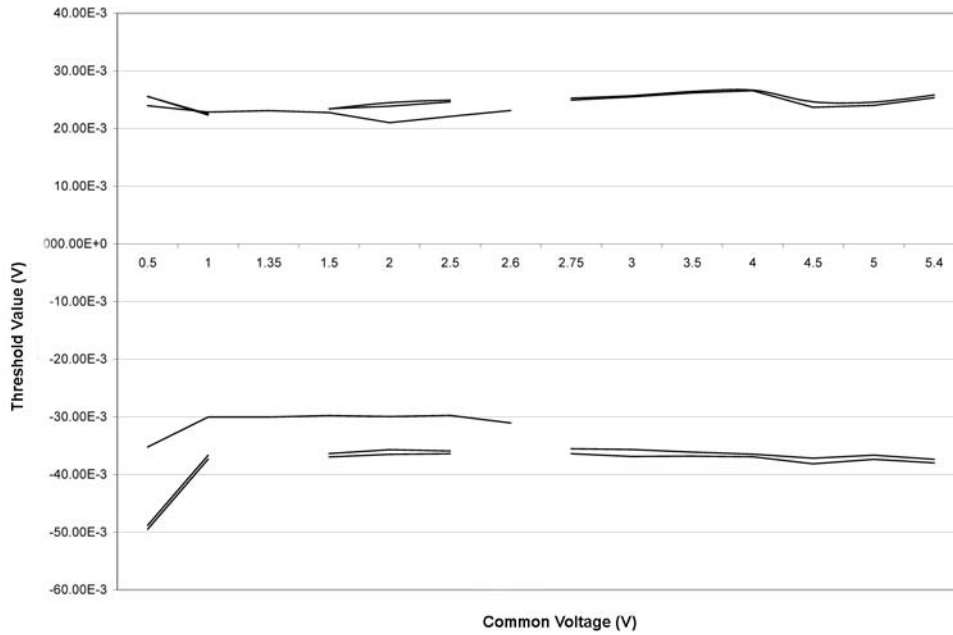


Figure 27-28. Typical Analog Comparator Hysteresis Average Thresholds versus Common Mode Voltage



27.8 Analog Reference

Figure 27-29. VREF Voltage versus V_{CC}

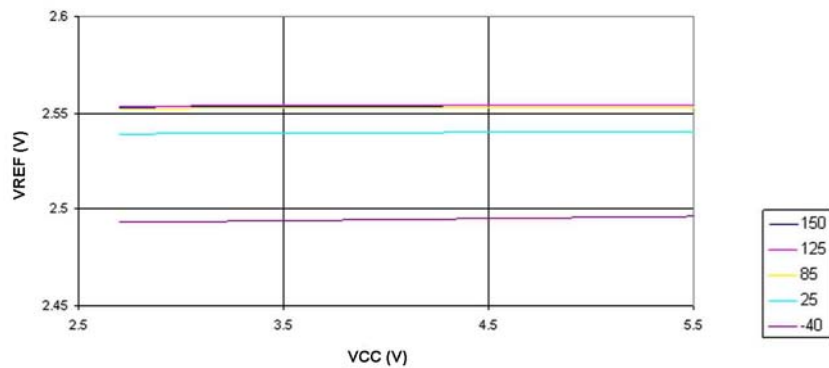
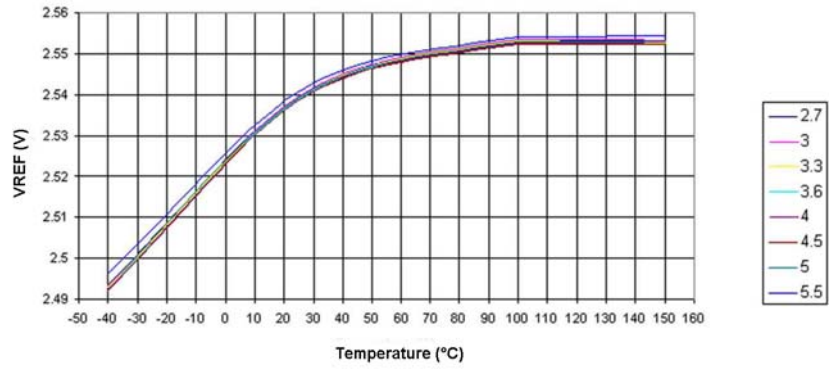


Figure 27-30. VREF Voltage versus Temperature



27.9 Internal Oscillator Speed

Figure 27-31. Watchdog Oscillator Frequency versus V_{CC}

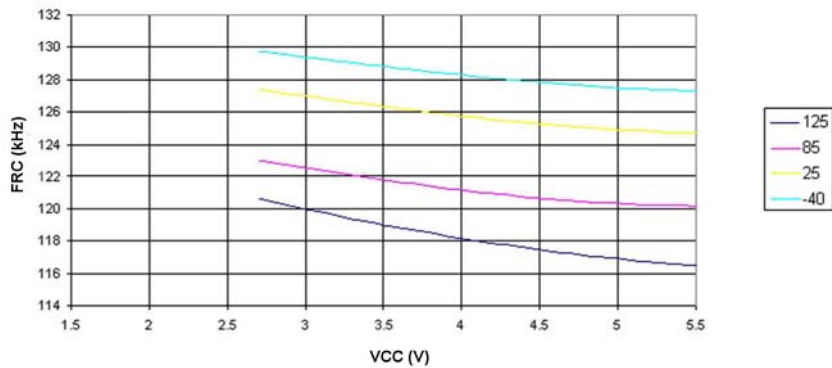


Figure 27-32. Calibrated 8MHz RC Oscillator Frequency versus Temperature

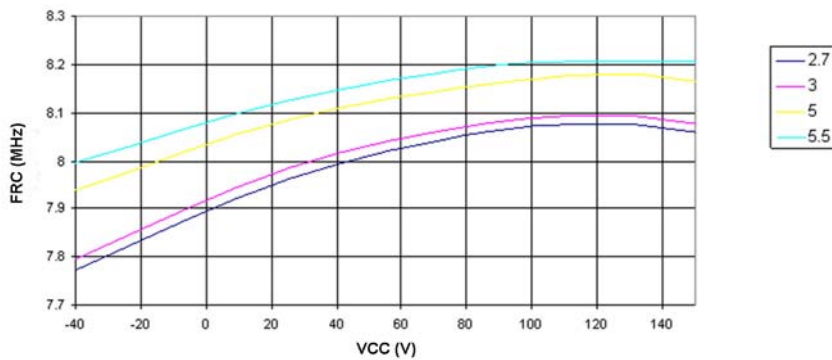


Figure 27-33. Calibrated 8MHz RC Oscillator Frequency versus V_{CC}

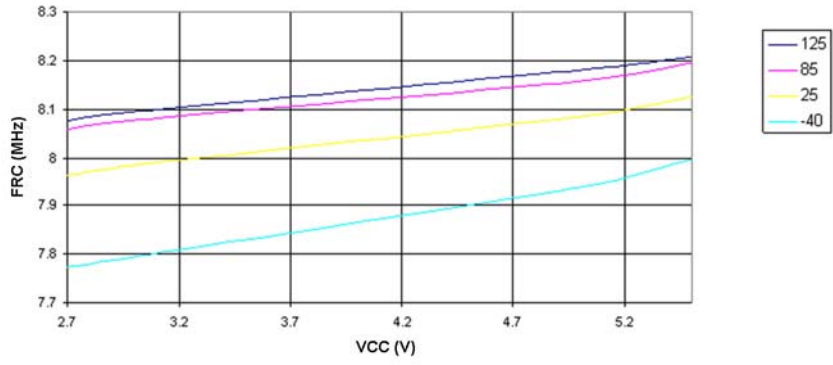
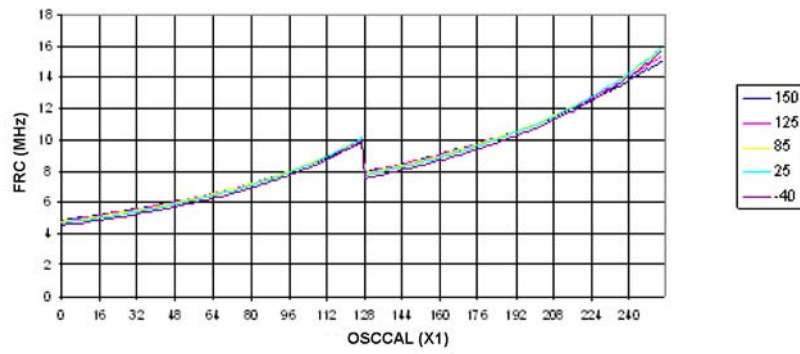


Figure 27-34. Calibrated 8MHz RC Oscillator Frequency versus OSCCAL Value



28. Instruction Set Summary

Mnemonics	Operands	Description	Operation	Flags	#Clocks
Arithmetic and Logic Instructions					
ADD	Rd, Rr	Add two registers	$Rd \leftarrow Rd + Rr$	Z,C,N,V,H	1
ADC	Rd, Rr	Add with carry two registers	$Rd \leftarrow Rd + Rr + C$	Z,C,N,V,H	1
ADIW	Rdl,K	Add immediate to word	$Rdh:Rdl \leftarrow Rdh:Rdl + K$	Z,C,N,V,S	2
SUB	Rd, Rr	Subtract two registers	$Rd \leftarrow Rd - Rr$	Z,C,N,V,H	1
SUBI	Rd, K	Subtract constant from register	$Rd \leftarrow Rd - K$	Z,C,N,V,H	1
SBC	Rd, Rr	Subtract with carry two registers	$Rd \leftarrow Rd - Rr - C$	Z,C,N,V,H	1
SBCI	Rd, K	Subtract with carry constant from register	$Rd \leftarrow Rd - K - C$	Z,C,N,V,H	1
SBIW	Rdl,K	Subtract immediate from word	$Rdh:Rdl \leftarrow Rdh:Rdl - K$	Z,C,N,V,S	2
AND	Rd, Rr	Logical AND registers	$Rd \leftarrow Rd \times Rr$	Z,N,V	1
ANDI	Rd, K	Logical AND register and constant	$Rd \leftarrow Rd \times K$	Z,N,V	1
OR	Rd, Rr	Logical OR registers	$Rd \leftarrow Rd \vee Rr$	Z,N,V	1
ORI	Rd, K	Logical OR register and constant	$Rd \leftarrow Rd \vee K$	Z,N,V	1
EOR	Rd, Rr	Exclusive OR registers	$Rd \leftarrow Rd \oplus Rr$	Z,N,V	1
COM	Rd	One's complement	$Rd \leftarrow 0xFF - Rd$	Z,C,N,V	1
NEG	Rd	Two's complement	$Rd \leftarrow 0x00 - Rd$	Z,C,N,V,H	1
SBR	Rd,K	Set bit(s) in register	$Rd \leftarrow Rd \vee K$	Z,N,V	1
CBR	Rd,K	Clear bit(s) in register	$Rd \leftarrow Rd \times (0xFF - K)$	Z,N,V	1
INC	Rd	Increment	$Rd \leftarrow Rd + 1$	Z,N,V	1
DEC	Rd	Decrement	$Rd \leftarrow Rd - 1$	Z,N,V	1
TST	Rd	Test for zero or minus	$Rd \leftarrow Rd \times Rd$	Z,N,V	1
CLR	Rd	Clear register	$Rd \leftarrow Rd \oplus Rd$	Z,N,V	1
SER	Rd	Set register	$Rd \leftarrow 0xFF$	None	1
MUL	Rd, Rr	Multiply unsigned	$R1:R0 \leftarrow Rd \times Rr$	Z,C	2
MULS	Rd, Rr	Multiply signed	$R1:R0 \leftarrow Rd \times Rr$	Z,C	2
MULSU	Rd, Rr	Multiply signed with unsigned	$R1:R0 \leftarrow Rd \times Rr$	Z,C	2
FMUL	Rd, Rr	Fractional multiply unsigned	$R1:R0 \leftarrow (Rd \times Rr) \ll 1$	Z,C	2
FMULS	Rd, Rr	Fractional multiply signed	$R1:R0 \leftarrow (Rd \times Rr) \ll 1$	Z,C	2
FMULSU	Rd, Rr	Fractional multiply signed with unsigned	$R1:R0 \leftarrow (Rd \times Rr) \ll 1$	Z,C	2
Branch Instructions					
RJMP	k	Relative jump	$PC \leftarrow PC + k + 1$	None	2
IJMP		Indirect jump to (Z)	$PC \leftarrow Z$	None	2
JMP(*)	k	Direct jump	$PC \leftarrow k$	None	3
RCALL	k	Relative subroutine call	$PC \leftarrow PC + k + 1$	None	3
ICALL		Indirect call to (Z)	$PC \leftarrow Z$	None	3
CALL(*)	k	Direct subroutine call	$PC \leftarrow k$	None	4
RET		Subroutine return	$PC \leftarrow STACK$	None	4
RETI		Interrupt return	$PC \leftarrow STACK$	I	4
CPSE	Rd,Rr	Compare, skip if equal	if (Rd = Rr) $PC \leftarrow PC + 2$ or 3	None	1/2/3
CP	Rd,Rr	Compare	$Rd - Rr$	Z, N, V, C, H	1
CPC	Rd,Rr	Compare with carry	$Rd - Rr - C$	Z, N, V, C, H	1
CPI	Rd,K	Compare register with immediate	$Rd - K$	Z, N, V, C, H	1
SBRC	Rr, b	Skip if bit in register cleared	if (Rr(b)=0) $PC \leftarrow PC + 2$ or 3	None	1/2/3
SBRS	Rr, b	Skip if bit in register is set	if (Rr(b)=1) $PC \leftarrow PC + 2$ or 3	None	1/2/3
SBIC	P, b	Skip if bit in I/O register cleared	if (P(b)=0) $PC \leftarrow PC + 2$ or 3	None	1/2/3

Note: 1. These Instructions are only available in "16K and 32K parts"

28. Instruction Set Summary (Continued)

Mnemonics	Operands	Description	Operation	Flags	#Clocks
SBIS	P, b	Skip if bit in I/O register is set	if (P(b)=1) PC ← PC + 2 or 3	None	1/2/3
BRBS	s, k	Branch if status flag Set	if (SREG(s) = 1) then PC ← PC + k + 1	None	1/2
BRBC	s, k	Branch if status flag cleared	if (SREG(s) = 0) then PC ← PC + k + 1	None	1/2
BREQ	k	Branch if equal	if (Z = 1) then PC ← PC + k + 1	None	1/2
BRNE	k	Branch if not equal	if (Z = 0) then PC ← PC + k + 1	None	1/2
BRCS	k	Branch if carry set	if (C = 1) then PC ← PC + k + 1	None	1/2
BRCC	k	Branch if carry cleared	if (C = 0) then PC ← PC + k + 1	None	1/2
BRSH	k	Branch if same or higher	if (C = 0) then PC ← PC + k + 1	None	1/2
BRLO	k	Branch if lower	if (C = 1) then PC ← PC + k + 1	None	1/2
BRMI	k	Branch if minus	if (N = 1) then PC ← PC + k + 1	None	1/2
BRPL	k	Branch if plus	if (N = 0) then PC ← PC + k + 1	None	1/2
BRGE	k	Branch if greater or equal, signed	if (N ⊕ V = 0) then PC ← PC + k + 1	None	1/2
BRLT	k	Branch if less than zero, signed	if (N ⊕ V = 1) then PC ← PC + k + 1	None	1/2
BRHS	k	Branch if half carry flag set	if (H = 1) then PC ← PC + k + 1	None	1/2
BRHC	k	Branch if half carry flag cleared	if (H = 0) then PC ← PC + k + 1	None	1/2
BRTS	k	Branch if T flag set	if (T = 1) then PC ← PC + k + 1	None	1/2
BRTC	k	Branch if T flag cleared	if (T = 0) then PC ← PC + k + 1	None	1/2
BRVS	k	Branch if overflow flag is set	if (V = 1) then PC ← PC + k + 1	None	1/2
BRVC	k	Branch if overflow flag is cleared	if (V = 0) then PC ← PC + k + 1	None	1/2
BRIE	k	Branch if interrupt enabled	if (I = 1) then PC ← PC + k + 1	None	1/2
BRID	k	Branch if interrupt disabled	if (I = 0) then PC ← PC + k + 1	None	1/2
Bit and Bit-test Instructions					
SBI	P,b	Set bit in I/O register	I/O(P,b) ← 1	None	2
CBI	P,b	Clear bit in I/O register	I/O(P,b) ← 0	None	2
LSL	Rd	Logical shift left	Rd(n+1) ← Rd(n), Rd(0) ← 0	Z,C,N,V	1
LSR	Rd	Logical shift right	Rd(n) ← Rd(n+1), Rd(7) ← 0	Z,C,N,V	1
ROL	Rd	Rotate left through carry	Rd(0) ← C, Rd(n+1) ← Rd(n), C ← Rd(7)	Z,C,N,V	1
ROR	Rd	Rotate right through carry	Rd(7) ← C, Rd(n) ← Rd(n+1), C ← Rd(0)	Z,C,N,V	1
ASR	Rd	Arithmetic shift right	Rd(n) ← Rd(n+1), n=0..6	Z,C,N,V	1
SWAP	Rd	Swap nibbles	Rd(3..0) ← Rd(7..4), Rd(7..4) ← Rd(3..0)	None	1
BSET	s	Flag set	SREG(s) ← 1	SREG(s)	1
BCLR	s	Flag clear	SREG(s) ← 0	SREG(s)	1
BST	Rr, b	Bit store from register to T	T ← Rr(b)	T	1
BLD	Rd, b	Bit load from T to register	Rd(b) ← T	None	1
SEC		Set carry	C ← 1	C	1
CLC		Clear carry	C ← 0	C	1
SEN		Set negative flag	N ← 1	N	1
CLN		Clear negative flag	N ← 0	N	1
SEZ		Set zero flag	Z ← 1	Z	1
CLZ		Clear zero flag	Z ← 0	Z	1
SEI		Global interrupt enable	I ← 1	I	1
CLI		Global interrupt disable	I ← 0	I	1
SES		Set signed test flag	S ← 1	S	1
CLS		Clear signed test flag	S ← 0	S	1
SEV		Set twos complement overflow.	V ← 1	V	1
CLV		Clear twos complement overflow	V ← 0	V	1

Note: 1. These Instructions are only available in "16K and 32K parts"

28. Instruction Set Summary (Continued)

Mnemonics	Operands	Description	Operation	Flags	#Clocks
SET		Set T in SREG	$T \leftarrow 1$	T	1
CLT		Clear T in SREG	$T \leftarrow 0$	T	1
SEH		Set half carry flag in SREG	$H \leftarrow 1$	H	1
CLH		Clear half carry flag in SREG	$H \leftarrow 0$	H	1
Data Transfer Instructions					
MOV	Rd, Rr	Move between registers	$Rd \leftarrow Rr$	None	1
MOVW	Rd, Rr	Copy register word	$Rd+1:Rd \leftarrow Rr+1:Rr$	None	1
LDI	Rd, K	Load immediate	$Rd \leftarrow K$	None	1
LD	Rd, X	Load indirect	$Rd \leftarrow (X)$	None	2
LD	Rd, X+	Load indirect and post-inc.	$Rd \leftarrow (X), X \leftarrow X + 1$	None	2
LD	Rd, -X	Load indirect and pre-dec.	$X \leftarrow X - 1, Rd \leftarrow (X)$	None	2
LD	Rd, Y	Load indirect	$Rd \leftarrow (Y)$	None	2
LD	Rd, Y+	Load indirect and post-inc.	$Rd \leftarrow (Y), Y \leftarrow Y + 1$	None	2
LD	Rd, -Y	Load indirect and pre-dec.	$Y \leftarrow Y - 1, Rd \leftarrow (Y)$	None	2
LDD	Rd, Y+q	Load indirect with displacement	$Rd \leftarrow (Y + q)$	None	2
LD	Rd, Z	Load indirect	$Rd \leftarrow (Z)$	None	2
LD	Rd, Z+	Load indirect and post-inc.	$Rd \leftarrow (Z), Z \leftarrow Z + 1$	None	2
LD	Rd, -Z	Load indirect and pre-dec.	$Z \leftarrow Z - 1, Rd \leftarrow (Z)$	None	2
LDD	Rd, Z+q	Load indirect with displacement	$Rd \leftarrow (Z + q)$	None	2
LDS	Rd, k	Load direct from SRAM	$Rd \leftarrow (k)$	None	2
ST	X, Rr	Store indirect	$(X) \leftarrow Rr$	None	2
ST	X+, Rr	Store indirect and post-inc.	$(X) \leftarrow Rr, X \leftarrow X + 1$	None	2
ST	-X, Rr	Store indirect and pre-dec.	$X \leftarrow X - 1, (X) \leftarrow Rr$	None	2
ST	Y, Rr	Store indirect	$(Y) \leftarrow Rr$	None	2
ST	Y+, Rr	Store indirect and post-inc.	$(Y) \leftarrow Rr, Y \leftarrow Y + 1$	None	2
ST	-Y, Rr	Store indirect and pre-dec.	$Y \leftarrow Y - 1, (Y) \leftarrow Rr$	None	2
STD	Y+q, Rr	Store indirect with displacement	$(Y + q) \leftarrow Rr$	None	2
ST	Z, Rr	Store indirect	$(Z) \leftarrow Rr$	None	2
ST	Z+, Rr	Store indirect and post-inc.	$(Z) \leftarrow Rr, Z \leftarrow Z + 1$	None	2
ST	-Z, Rr	Store indirect and pre-dec.	$Z \leftarrow Z - 1, (Z) \leftarrow Rr$	None	2
STD	Z+q, Rr	Store indirect with displacement	$(Z + q) \leftarrow Rr$	None	2
STS	k, Rr	Store direct to SRAM	$(k) \leftarrow Rr$	None	2
LPM		Load program memory	$R0 \leftarrow (Z)$	None	3
LPM	Rd, Z	Load program memory	$Rd \leftarrow (Z)$	None	3
LPM	Rd, Z+	Load program memory and post-inc	$Rd \leftarrow (Z), Z \leftarrow Z + 1$	None	3
SPM		Store program memory	$(Z) \leftarrow R1:R0$	None	-
IN	Rd, P	In port	$Rd \leftarrow P$	None	1
OUT	P, Rr	Out port	$P \leftarrow Rr$	None	1
PUSH	Rr	Push register on stack	$STACK \leftarrow Rr$	None	2
POP	Rd	Pop register from stack	$Rd \leftarrow STACK$	None	2
MCU Control Instructions					
NOP		No operation		None	1
SLEEP		Sleep	(see specific descr. for sleep function)	None	1
WDR		Watchdog reset	(see specific descr. for WDR/timer)	None	1
BREAK		Break	For On-chip Debug Only	None	N/A

Note: 1. These Instructions are only available in "16K and 32K parts"

29. Register Summary

Address	Name	Bit 7	Bit 6	Bit 5	Bit 4	Bit 3	Bit 2	Bit 1	Bit 0	Page
(0xFF)	Reserved	–	–	–	–	–	–	–	–	
(0xFE)	Reserved	–	–	–	–	–	–	–	–	
(0xFD)	Reserved	–	–	–	–	–	–	–	–	
(0xFC)	Reserved	–	–	–	–	–	–	–	–	
(0xFB)	Reserved	–	–	–	–	–	–	–	–	
(0xFA)	CANMSG	MSG 7	MSG 6	MSG 5	MSG 4	MSG 3	MSG 2	MSG 1	MSG 0	171
(0xF9)	CANSTMPH	TIMSTM15	TIMSTM14	TIMSTM13	TIMSTM12	TIMSTM11	TIMSTM10	TIMSTM9	TIMSTM8	171
(0xF8)	CANSTMPPL	TIMSTM7	TIMSTM6	TIMSTM5	TIMSTM4	TIMSTM3	TIMSTM2	TIMSTM1	TIMSTM0	171
(0xF7)	CANIDM1	IDMSK28	IDMSK27	IDMSK26	IDMSK25	IDMSK24	IDMSK23	IDMSK22	IDMSK21	170
(0xF6)	CANIDM2	IDMSK20	IDMSK19	IDMSK18	IDMSK17	IDMSK16	IDMSK15	IDMSK14	IDMSK13	170
(0xF5)	CANIDM3	IDMSK12	IDMSK11	IDMSK10	IDMSK9	IDMSK8	IDMSK7	IDMSK6	IDMSK5	170
(0xF4)	CANIDM4	IDMSK4	IDMSK3	IDMSK2	IDMSK1	IDMSK0	RTRMSK	–	IDEMSK	170
(0xF3)	CANIDT1	IDT28	IDT27	IDT26	IDT25	IDT24	IDT23	IDT22	IDT21	169
(0xF2)	CANIDT2	IDT20	IDT19	IDT18	IDT17	IDT16	IDT15	IDT14	IDT13	169
(0xF1)	CANIDT3	IDT12	IDT11	IDT10	IDT9	IDT8	IDT7	IDT6	IDT5	169
(0xF0)	CANIDT4	IDT4	IDT3	IDT2	IDT1	IDT0	RTRTAG	RB1TAG	RB0TAG	169
(0xEF)	CANCDMOB	CONMOB1	CONMOB0	RPLV	IDE	DLC3	DLC2	DLC1	DLC0	168
(0xEE)	CANSTMOB	DLCW	TXOK	RXOK	BERR	SERR	CERR	FERR	AERR	167
(0xED)	CANPAGE	MOBNB3	MOBNB2	MOBNB1	MOBNB0	AINC	INDX2	INDX1	INDX0	166
(0xEC)	CANHPMOB	HPMOB3	HPMOB2	HPMOB1	HPMOB0	CGP3	CGP2	CGP1	CGP0	166
(0xEB)	CANREC	REC7	REC6	REC5	REC4	REC3	REC2	REC1	REC0	166
(0xEA)	CANTEC	TEC7	TEC6	TEC5	TEC4	TEC3	TEC2	TEC1	TEC0	165
(0xE9)	CANTTCH	TIMTTC15	TIMTTC14	TIMTTC13	TIMTTC12	TIMTTC11	TIMTTC10	TIMTTC9	TIMTTC8	165
(0xE8)	CANTTCL	TIMTTC7	TIMTTC6	TIMTTC5	TIMTTC4	TIMTTC3	TIMTTC2	TIMTTC1	TIMTTC0	165
(0xE7)	CANTIMH	CANTIM15	CANTIM14	CANTIM13	CANTIM12	CANTIM11	CANTIM10	CANTIM9	CANTIM8	165
(0xE6)	CANTIML	CANTIM7	CANTIM6	CANTIM5	CANTIM4	CANTIM3	CANTIM2	CANTIM1	CANTIM0	165
(0xE5)	CANTCON	TPRSC7	TPRSC6	TPRSC5	TPRSC4	TPRSC3	TPRSC2	TRPSC1	TPRSC0	165
(0xE4)	CANBT3	–	PHS22	PHS21	PHS20	PHS12	PHS11	PHS10	SMP	164
(0xE3)	CANBT2	–	SJW1	SJW0	–	PRS2	PRS1	PRS0	–	163
(0xE2)	CANBT1	–	BRP5	BRP4	BRP3	BRP2	BRP1	BRP0	–	163
(0xE1)	CANSIT1	–	–	–	–	–	–	–	–	163
(0xE0)	CANSIT2	–	–	SIT5	SIT4	SIT3	SIT2	SIT1	SIT0	163
(0xDF)	CANIE1	–	–	–	–	–	–	–	–	162
(0xDE)	CANIE2	–	–	IEMOB5	IEMOB4	IEMOB3	IEMOB2	IEMOB1	IEMOB0	162
(0xDD)	CANEN1	–	–	–	–	–	–	–	–	162

- Notes:
- For compatibility with future devices, reserved bits should be written to zero if accessed. Reserved I/O memory addresses should never be written.
 - I/O registers within the address range 0x00 - 0x1F are directly bit-accessible using the SBI and CBI instructions. In these registers, the value of single bits can be checked by using the SBIS and SBIC instructions.
 - Some of the status flags are cleared by writing a logical one to them. Note that, unlike most other AVRs, the CBI and SBI instructions will only operate on the specified bit, and can therefore be used on registers containing such status flags. The CBI and SBI instructions work with registers 0x00 to 0x1F only.
 - When using the I/O specific commands IN and OUT, the I/O addresses 0x00 - 0x3F must be used. When addressing I/O Registers as data space using LD and ST instructions, 0x20 must be added to these addresses. The ATmega16/32/64/M1/C1 is a complex microcontroller with more peripheral units than can be supported within the 64 location reserved in Opcode for the IN and OUT instructions. For the Extended I/O space from 0x60 - 0xFF in SRAM, only the ST/STS/STD and LD/LDS/LDD instructions can be used.
 - These registers are only available on ATmega32/64M1. For other products described in this datasheet, these locations are reserved.

29. Register Summary (Continued)

Address	Name	Bit 7	Bit 6	Bit 5	Bit 4	Bit 3	Bit 2	Bit 1	Bit 0	Page
(0xDC)	CANEN2	–	–	ENMOB5	ENMOB4	ENMOB3	ENMOB2	ENMOB1	ENMOB0	162
(0xDB)	CANGIE	ENIT	ENBOFF	ENRX	ENTX	ENERR	ENBX	ENERG	ENOVRT	161
(0xDA)	CANGIT	CANIT	BOFFIT	OVRTIM	BXOK	SERG	CERG	FERG	AERG	160
(0xD9)	CANGSTA	–	OVRG	–	TXBSY	RXBSY	ENFG	BOFF	ERRP	159
(0xD8)	CANGCON	ABRQ	OVRQ	TTC	SYNTTC	LISTEN	TEST	ENA/STB	SWRES	158
(0xD7)	Reserved	–	–	–	–	–	–	–	–	
(0xD6)	Reserved	–	–	–	–	–	–	–	–	
(0xD5)	Reserved	–	–	–	–	–	–	–	–	
(0xD4)	Reserved	–	–	–	–	–	–	–	–	
(0xD3)	Reserved	–	–	–	–	–	–	–	–	
(0xD2)	LINDAT	LDATA7	LDATA6	LDATA5	LDATA4	LDATA3	LDATA2	LDATA1	LDATA0	196
(0xD1)	LINSEL	–	–	–	–	/LAINC	LINDX2	LINDX1	LINDX0	196
(0xD0)	LINIDR	LP1	LP0	LID5 / LDL1	LID4 / LDL0	LID3	LID2	LID1	LID0	195
(0xCF)	LINDLR	LTXDL3	LTXDL2	LTXDL1	LTXDL0	LRXDL3	LRXDL2	LRXDL1	LRXDL0	195
(0xCE)	LINBRRH	–	–	–	–	LDIV11	LDIV10	LDIV9	LDIV8	194
(0xCD)	LINBRRL	LDIV7	LDIV6	LDIV5	LDIV4	LDIV3	LDIV2	LDIV1	LDIV0	194
(0xCC)	LINBTR	LDISR	–	LBT5	LBT4	LBT3	LBT2	LBT1	LBT0	194
(0xCB)	LINERR	LABORT	LTOERR	LOVERR	LFERR	LSERR	LPERR	LCERR	LBERR	193
(0xCA)	LINENIR	–	–	–	–	LENERR	LENIDOK	LENTXOK	LENRXOK	193
(0xC9)	LINSIR	LIDST2	LIDST1	LIDST0	LBUSY	LERR	LIDOK	LTXOK	LRXOK	192
(0xC8)	LINCR	LSWRES	LIN13	LCONF1	LCONF0	LENA	LCMD2	LCMD1	LCMD0	191
(0xC7)	Reserved	–	–	–	–	–	–	–	–	
(0xC6)	Reserved	–	–	–	–	–	–	–	–	
(0xC5)	Reserved	–	–	–	–	–	–	–	–	
(0xC4)	Reserved	–	–	–	–	–	–	–	–	
(0xC3)	Reserved	–	–	–	–	–	–	–	–	
(0xC2)	Reserved	–	–	–	–	–	–	–	–	
(0xC1)	Reserved	–	–	–	–	–	–	–	–	
(0xC0)	Reserved	–	–	–	–	–	–	–	–	
(0xBF)	Reserved	–	–	–	–	–	–	–	–	
(0xBE)	Reserved	–	–	–	–	–	–	–	–	
(0xBD)	Reserved	–	–	–	–	–	–	–	–	
(0xBC) ⁽⁵⁾	PIFR	–	–	–	–	PEV2	PEV1	PEV0	PEOP	132
(0xBB) ⁽⁵⁾	PIM	–	–	–	–	PEVE2	PEVE1	PEVE0	PEOPE	132
(0xBA) ⁽⁵⁾	PMIC2	POVEN2	PISEL2	PELEV2	PFLTE2	PAOC2	PRFM22	PRFM21	PRFM20	131

- Notes:
- For compatibility with future devices, reserved bits should be written to zero if accessed. Reserved I/O memory addresses should never be written.
 - I/O registers within the address range 0x00 - 0x1F are directly bit-accessible using the SBI and CBI instructions. In these registers, the value of single bits can be checked by using the SBIS and SBIC instructions.
 - Some of the status flags are cleared by writing a logical one to them. Note that, unlike most other AVR, the CBI and SBI instructions will only operate on the specified bit, and can therefore be used on registers containing such status flags. The CBI and SBI instructions work with registers 0x00 to 0x1F only.
 - When using the I/O specific commands IN and OUT, the I/O addresses 0x00 - 0x3F must be used. When addressing I/O Registers as data space using LD and ST instructions, 0x20 must be added to these addresses. The ATmega16/32/64/M1/C1 is a complex microcontroller with more peripheral units than can be supported within the 64 location reserved in Opcode for the IN and OUT instructions. For the Extended I/O space from 0x60 - 0xFF in SRAM, only the ST/STS/STD and LD/LDS/LDD instructions can be used.
 - These registers are only available on ATmega32/64M1. For other products described in this datasheet, these locations are reserved.

29. Register Summary (Continued)

Address	Name	Bit 7	Bit 6	Bit 5	Bit 4	Bit 3	Bit 2	Bit 1	Bit 0	Page
(0xB9) ⁽⁵⁾	PMIC1	POVEN1	PISEL1	PELEV1	PFLTE1	PAOC1	PRFM12	PRFM11	PRFM10	131
(0xB8) ⁽⁵⁾	PMIC0	POVEN0	PISEL0	PELEV0	PFLTE0	PAOC0	PRFM02	PRFM01	PRFM00	131
(0xB7) ⁽⁵⁾	PCTL	PPRE1	PPRE0	PCLKSEL	–	–	–	PCCYC	PRUN	130
(0xB6) ⁽⁵⁾	POC	–	–	POEN2B	POEN2A	POEN1B	POEN1A	POEN0B	POEN0A	33
(0xB5) ⁽⁵⁾	PCNF	–	–	PULOCK	PMODE	POPB	POPA	–	–	130
(0xB4) ⁽⁵⁾	PSYNC	–	–	PSYNC21	PSYNC20	PSYNC11	PSYNC10	PSYNC01	PSYNC00	128
(0xB3) ⁽⁵⁾	POCR_RBH	–	–	–	–	POCR_RB11	POCR_RB10	POCR_RB9	POCR_RB8	129
(0xB2) ⁽⁵⁾	POCR_RBL	POCR_RB7	POCR_RB6	POCR_RB5	POCR_RB4	POCR_RB3	POCR_RB2	POCR_RB1	POCR_RB0	129
(0xB1) ⁽⁵⁾	POCR2SBH	–	–	–	–	POCR2SB11	POCR2SB10	POCR2SB9	POCR2SB8	129
(0xB0) ⁽⁵⁾	POCR2SBL	POCR2SB7	POCR2SB6	POCR2SB5	POCR2SB4	POCR2SB3	POCR2SB2	POCR2SB1	POCR2SB0	129
(0xAF) ⁽⁵⁾	POCR2RAH	–	–	–	–	POCR2RA11	POCR2RA10	POCR2RA9	POCR2RA8	129
(0xAE) ⁽⁵⁾	POCR2RAL	POCR2RA7	POCR2RA6	POCR2RA5	POCR2RA4	POCR2RA3	POCR2RA2	POCR2RA1	POCR2RA0	129
(0xAD) ⁽⁵⁾	POCR2SAH	–	–	–	–	POCR2SA11	POCR2SA10	POCR2SA9	POCR2SA8	129
(0xAC) ⁽⁵⁾	POCR2SAL	POCR2SA7	POCR2SA6	POCR2SA5	POCR2SA4	POCR2SA3	POCR2SA2	POCR2SA1	POCR2SA0	129
(0xAB) ⁽⁵⁾	POCR1SBH	–	–	–	–	POCR1SB11	POCR1SB10	POCR1SB9	POCR1SB8	129
(0xAA) ⁽⁵⁾	POCR1SBL	POCR1SB7	POCR1SB6	POCR1SB5	POCR1SB4	POCR1SB3	POCR1SB2	POCR1SB1	POCR1SB0	129
(0xA9) ⁽⁵⁾	POCR1RAH	–	–	–	–	POCR1RA11	POCR1RA10	POCR1RA9	POCR1RA8	129
(0xA8) ⁽⁵⁾	POCR1RAL	POCR1RA7	POCR1RA6	POCR1RA5	POCR1RA4	POCR1RA3	POCR1RA2	POCR1RA1	POCR1RA0	129
(0xA7) ⁽⁵⁾	POCR1SAH	–	–	–	–	POCR1SA11	POCR1SA10	POCR1SA9	POCR1SA8	129
(0xA6) ⁽⁵⁾	POCR1SAL	POCR1SA7	POCR1SA6	POCR1SA5	POCR1SA4	POCR1SA3	POCR1SA2	POCR1SA1	POCR1SA0	129
(0xA5) ⁽⁵⁾	POCR0SBH	–	–	–	–	POCR0SB11	POCR0SB10	POCR0SB9	POCR0SB8	129
(0xA4) ⁽⁵⁾	POCR0SBL	POCR0SB7	POCR0SB6	POCR0SB5	POCR0SB4	POCR0SB3	POCR0SB2	POCR0SB1	POCR0SB0	129
(0xA3) ⁽⁵⁾	POCR0RAH	–	–	–	–	POCR0RA11	POCR0RA10	POCR0RA9	POCR0RA8	129
(0xA2) ⁽⁵⁾	POCR0RAL	POCR0RA7	POCR0RA6	POCR0RA5	POCR0RA4	POCR0RA3	POCR0RA2	POCR0RA1	POCR0RA0	129
(0xA1) ⁽⁵⁾	POCR0SAH	–	–	–	–	POCR0SA11	POCR0SA10	POCR0SA9	POCR0SA8	129
(0xA0) ⁽⁵⁾	POCR0SAL	POCR0SA7	POCR0SA6	POCR0SA5	POCR0SA4	POCR0SA3	POCR0SA2	POCR0SA1	POCR0SA0	129
(0x9F)	Reserved	–	–	–	–	–	–	–	–	
(0x9E)	Reserved	–	–	–	–	–	–	–	–	
(0x9D)	Reserved	–	–	–	–	–	–	–	–	
(0x9C)	Reserved	–	–	–	–	–	–	–	–	
(0x9B)	Reserved	–	–	–	–	–	–	–	–	
(0x9A)	Reserved	–	–	–	–	–	–	–	–	
(0x99)	Reserved	–	–	–	–	–	–	–	–	
(0x98)	Reserved	–	–	–	–	–	–	–	–	
(0x97)	AC3CON	AC3EN	AC3IE	AC3IS1	AC3IS0	–	AC3M2	AC3M1	AC3M0	229

- Notes:
- For compatibility with future devices, reserved bits should be written to zero if accessed. Reserved I/O memory addresses should never be written.
 - I/O registers within the address range 0x00 - 0x1F are directly bit-accessible using the SBI and CBI instructions. In these registers, the value of single bits can be checked by using the SBIS and SBIC instructions.
 - Some of the status flags are cleared by writing a logical one to them. Note that, unlike most other AVRs, the CBI and SBI instructions will only operate on the specified bit, and can therefore be used on registers containing such status flags. The CBI and SBI instructions work with registers 0x00 to 0x1F only.
 - When using the I/O specific commands IN and OUT, the I/O addresses 0x00 - 0x3F must be used. When addressing I/O Registers as data space using LD and ST instructions, 0x20 must be added to these addresses. The ATmega16/32/64/M1/C1 is a complex microcontroller with more peripheral units than can be supported within the 64 location reserved in Opcode for the IN and OUT instructions. For the Extended I/O space from 0x60 - 0xFF in SRAM, only the ST/STS/STD and LD/LDS/LDD instructions can be used.
 - These registers are only available on ATmega32/64M1. For other products described in this datasheet, these locations are reserved.

29. Register Summary (Continued)

Address	Name	Bit 7	Bit 6	Bit 5	Bit 4	Bit 3	Bit 2	Bit 1	Bit 0	Page
(0x96)	AC2CON	AC2EN	AC2IE	AC2IS1	AC2IS0	–	AC2M2	AC2M1	AC2M0	229
(0x95)	AC1CON	AC1EN	AC1IE	AC1IS1	AC1IS0	AC1ICE	AC1M2	AC1M1	AC1M0	228
(0x94)	AC0CON	AC0EN	AC0IE	AC0IS1	AC0IS0	ACCKSEL	AC0M2	AC0M1	AC0M0	227
(0x93)	Reserved	–	–	–	–	–	–	–	–	
(0x92)	DACH	- / DAC9	- / DAC8	- / DAC7	- / DAC6	- / DAC5	- / DAC4	DAC9 / DAC3	DAC8 / DAC2	235
(0x91)	DACL	DAC7 / DAC1	DAC6 / DAC0	DAC5 / -	DAC4 / -	DAC3 / -	DAC2 / -	DAC1 / -	DAC0 /	235
(0x90)	DACON	DAATE	DATS2	DATS1	DATS0	–	DALA	DAOE	DAEN	234
(0x8F)	Reserved	–	–	–	–	–	–	–	–	
(0x8E)	Reserved	–	–	–	–	–	–	–	–	
(0x8D)	Reserved	–	–	–	–	–	–	–	–	
(0x8C)	Reserved	–	–	–	–	–	–	–	–	
(0x8B)	OCR1BH	OCR1B15	OCR1B14	OCR1B13	OCR1B12	OCR1B11	OCR1B10	OCR1B9	OCR1B8	113
(0x8A)	OCR1BL	OCR1B7	OCR1B6	OCR1B5	OCR1B4	OCR1B3	OCR1B2	OCR1B1	OCR1B0	113
(0x89)	OCR1AH	OCR1A15	OCR1A14	OCR1A13	OCR1A12	OCR1A11	OCR1A10	OCR1A9	OCR1A8	113
(0x88)	OCR1AL	OCR1A7	OCR1A6	OCR1A5	OCR1A4	OCR1A3	OCR1A2	OCR1A1	OCR1A0	113
(0x87)	ICR1H	ICR115	ICR114	ICR113	ICR112	ICR111	ICR110	ICR19	ICR18	114
(0x86)	ICR1L	ICR17	ICR16	ICR15	ICR14	ICR13	ICR12	ICR11	ICR10	114
(0x85)	TCNT1H	TCNT115	TCNT114	TCNT113	TCNT112	TCNT111	TCNT110	TCNT19	TCNT18	113
(0x84)	TCNT1L	TCNT17	TCNT16	TCNT15	TCNT14	TCNT13	TCNT12	TCNT11	TCNT10	113
(0x83)	Reserved	–	–	–	–	–	–	–	–	
(0x82)	TCCR1C	FOC1A	FOC1B	–	–	–	–	–	–	113
(0x81)	TCCR1B	ICNC1	ICES1	–	WGM13	WGM12	CS12	CS11	CS10	112
(0x80)	TCCR1A	COM1A1	COM1A0	COM1B1	COM1B0	–	–	WGM11	WGM10	110
(0x7F)	DIDR1	–	AMP2PD	ACMP0D	AMP0PD	AMP0ND	ADC10D	ADC9D	ADC8D	214
(0x7E)	DIDR0	ADC7D	ADC6D	ADC5D	ADC4D	ADC3D	ADC2D	ADC1D	ADC0D	214
(0x7D)	Reserved	–	–	–	–	–	–	–	–	
(0x7C)	ADMUX	REFS1	REFS0	ADLAR	–	MUX3	MUX2	MUX1	MUX0	33
(0x7B)	ADCSRB	ADHSM	ISRGEN	AREFEN	–	ADTS3	ADTS2	ADTS1	ADTS0	212
(0x7A)	ADCSRA	ADEN	ADSC	ADATE	ADIF	ADIE	ADPS2	ADPS1	ADPS0	211
(0x79)	ADCH	- / ADC9	- / ADC8	- / ADC7	- / ADC6	- / ADC5	- / ADC4	ADC9 / ADC3	ADC8 / ADC2	213
(0x78)	ADCL	ADC7 / ADC1	ADC6 / ADC0	ADC5 / -	ADC4 / -	ADC3 / -	ADC2 / -	ADC1 / -	ADC0 /	213
(0x77)	AMP2CSR	AMP2EN	AMP2IS	AMP2G1	AMP2G0	AMPCMP2	AMP2TS2	AMP2TS1	AMP2TS0	219

- Notes:
1. For compatibility with future devices, reserved bits should be written to zero if accessed. Reserved I/O memory addresses should never be written.
 2. I/O registers within the address range 0x00 - 0x1F are directly bit-accessible using the SBI and CBI instructions. In these registers, the value of single bits can be checked by using the SBIS and SBIC instructions.
 3. Some of the status flags are cleared by writing a logical one to them. Note that, unlike most other AVRs, the CBI and SBI instructions will only operate on the specified bit, and can therefore be used on registers containing such status flags. The CBI and SBI instructions work with registers 0x00 to 0x1F only.
 4. When using the I/O specific commands IN and OUT, the I/O addresses 0x00 - 0x3F must be used. When addressing I/O Registers as data space using LD and ST instructions, 0x20 must be added to these addresses. The ATmega16/32/64/M1/C1 is a complex microcontroller with more peripheral units than can be supported within the 64 location reserved in Opcode for the IN and OUT instructions. For the Extended I/O space from 0x60 - 0xFF in SRAM, only the ST/STS/STD and LD/LDS/LDD instructions can be used.
 5. These registers are only available on ATmega32/64M1. For other products described in this datasheet, these locations are reserved.

29. Register Summary (Continued)

Address	Name	Bit 7	Bit 6	Bit 5	Bit 4	Bit 3	Bit 2	Bit 1	Bit 0	Page
(0x76)	AMP1CSR	AMP1EN	AMP1IS	AMP1G1	AMP1G0	AMPCMP1	AMP1TS2	AMP1TS1	AMP1TS0	219
(0x75)	AMP0CSR	AMP0EN	AMP0IS	AMP0G1	AMP0G0	AMPCMP0	AMP0TS2	AMP0TS1	AMP0TS0	218
(0x74)	Reserved	–	–	–	–	–	–	–	–	
(0x73)	Reserved	–	–	–	–	–	–	–	–	
(0x72)	Reserved	–	–	–	–	–	–	–	–	
(0x71)	Reserved	–	–	–	–	–	–	–	–	
(0x70)	Reserved	–	–	–	–	–	–	–	–	
(0x6F)	TIMSK1	–	–	ICIE1	–	–	OCIE1B	OCIE1A	TOIE1	114
(0x6E)	TIMSK0	–	–	–	–	–	OCIE0B	OCIE0A	TOIE0	90
(0x6D)	PCMSK3	–	–	–	–	–	PCINT26	PCINT25	PCINT24	73
(0x6C)	PCMSK2	PCINT23	PCINT22	PCINT21	PCINT20	PCINT19	PCINT18	PCINT17	PCINT16	73
(0x6B)	PCMSK1	PCINT15	PCINT14	PCINT13	PCINT12	PCINT11	PCINT10	PCINT9	PCINT8	74
(0x6A)	PCMSK0	PCINT7	PCINT6	PCINT5	PCINT4	PCINT3	PCINT2	PCINT1	PCINT0	74
(0x69)	EICRA	ISC31	ISC30	ISC21	ISC20	ISC11	ISC10	ISC01	ISC00	71
(0x68)	PCICR	–	–	–	–	PCIE3	PCIE2	PCIE1	PCIE0	72
(0x67)	Reserved	–	–	–	–	–	–	–	–	
(0x66)	OSCCAL	–	CAL6	CAL5	CAL4	CAL3	CAL2	CAL1	CAL0	29
(0x65)	Reserved	–	–	–	–	–	–	–	–	
(0x64)	PRR	–	PRCAN	PRPSC	PRTIM1	PRTIM0	PRSPI	PRLIN	PRADC	36
(0x63)	Reserved	–	–	–	–	–	–	–	–	
(0x62)	Reserved	–	–	–	–	–	–	–	–	
(0x61)	CLKPR	CLKPCE	–	–	–	CLKPS3	CLKPS2	CLKPS1	CLKPS0	33
(0x60)	WDTCSR	WDIF	WDIE	WDP3	WDCE	WDE	WDP2	WDP1	WDP0	45
0x3F (0x5F)	SREG	I	T	H	S	V	N	Z	C	12
0x3E (0x5E)	SPH	SP15	SP14	SP13	SP12	SP11	SP10	SP9	SP8	15
0x3D (0x5D)	SPL	SP7	SP6	SP5	SP4	SP3	SP2	SP1	SP0	15
0x3C (0x5C)	Reserved	–	–	–	–	–	–	–	–	
0x3B (0x5B)	Reserved	–	–	–	–	–	–	–	–	
0x3A (0x5A)	Reserved	–	–	–	–	–	–	–	–	
0x39 (0x59)	Reserved	–	–	–	–	–	–	–	–	
0x38 (0x58)	Reserved	–	–	–	–	–	–	–	–	
0x37 (0x57)	SPMCSR	SPMIE	RWWSB	SIGRD	RWWSRE	BLBSET	PGWRT	PGERS	SPMEN	244
0x36 (0x56)	Reserved	–	–	–	–	–	–	–	–	
0x35 (0x55)	MCUCR	SPIPS	–	–	PUD	–	–	IVSEL	IVCE	50, 57
0x34 (0x54)	MCUSR	–	–	–	–	WDRF	BORF	EXTRF	PORF	42

- Notes:
- For compatibility with future devices, reserved bits should be written to zero if accessed. Reserved I/O memory addresses should never be written.
 - I/O registers within the address range 0x00 - 0x1F are directly bit-accessible using the SBI and CBI instructions. In these registers, the value of single bits can be checked by using the SBIS and SBIC instructions.
 - Some of the status flags are cleared by writing a logical one to them. Note that, unlike most other AVRs, the CBI and SBI instructions will only operate on the specified bit, and can therefore be used on registers containing such status flags. The CBI and SBI instructions work with registers 0x00 to 0x1F only.
 - When using the I/O specific commands IN and OUT, the I/O addresses 0x00 - 0x3F must be used. When addressing I/O Registers as data space using LD and ST instructions, 0x20 must be added to these addresses. The ATmega16/32/64/M1/C1 is a complex microcontroller with more peripheral units than can be supported within the 64 location reserved in Opcode for the IN and OUT instructions. For the Extended I/O space from 0x60 - 0xFF in SRAM, only the ST/STS/STD and LD/LDS/LDD instructions can be used.
 - These registers are only available on ATmega32/64M1. For other products described in this datasheet, these locations are reserved.

29. Register Summary (Continued)

Address	Name	Bit 7	Bit 6	Bit 5	Bit 4	Bit 3	Bit 2	Bit 1	Bit 0	Page
0x33 (0x53)	SMCR	–	–	–	–	SM2	SM1	SM0	SE	34
0x32 (0x52)	MSMCR	Monitor Stop Mode Control Register								Reserved
0x31 (0x51)	MONDR	Monitor Data Register								Reserved
0x30 (0x50)	ACSR	AC3IF	AC2IF	AC1IF	AC0IF	AC3O	AC2O	AC1O	AC0O	231
0x2F (0x4F)	Reserved	–	–	–	–	–	–	–	–	
0x2E (0x4E)	SPDR	SPD7	SPD6	SPD5	SPD4	SPD3	SPD2	SPD1	SPD0	139
0x2D (0x4D)	SPSR	SPIF	WCOL	–	–	–	–	–	SPI2X	139
0x2C (0x4C)	SPCR	SPIE	SPE	DORD	MSTR	CPOL	CPHA	SPR1	SPR0	138
0x2B (0x4B)	Reserved	–	–	–	–	–	–	–	–	
0x2A (0x4A)	Reserved	–	–	–	–	–	–	–	–	
0x29 (0x49)	PLLCSR	–	–	–	–	–	PLLF	PLLE	PLOCK	31
0x28 (0x48)	OCR0B	OCR0B7	OCR0B6	OCR0B5	OCR0B4	OCR0B3	OCR0B2	OCR0B1	OCR0B0	90
0x27 (0x47)	OCR0A	OCR0A7	OCR0A6	OCR0A5	OCR0A4	OCR0A3	OCR0A2	OCR0A1	OCR0A0	90
0x26 (0x46)	TCNT0	TCNT07	TCNT06	TCNT05	TCNT04	TCNT03	TCNT02	TCNT01	TCNT00	90
0x25 (0x45)	TCCR0B	FOC0A	FOC0B	–	–	WGM02	CS02	CS01	CS00	89
0x24 (0x44)	TCCR0A	COM0A1	COM0A0	COM0B1	COM0B0	–	–	WGM01	WGM00	86
0x23 (0x43)	GTCCR	TSM	ICPSEL1	–	–	–	–	–	PSRSYNC	76
0x22 (0x42)	EEARH	–	–	–	–	–	–	EEAR9	EEAR8	20
0x21 (0x41)	EEARL	EEAR7	EEAR6	EEAR5	EEAR4	EEAR3	EEAR2	EEAR1	EEAR0	20
0x20 (0x40)	EEDR	EEDR7	EEDR6	EEDR5	EEDR4	EEDR3	EEDR2	EEDR1	EEDR0	20
0x1F (0x3F)	EEDR	–	–	–	–	EERIE	EEMWE	EWE	EERE	21
0x1E (0x3E)	GPIOR0	GPIOR07	GPIOR06	GPIOR05	GPIOR04	GPIOR03	GPIOR02	GPIOR01	GPIOR00	24
0x1D (0x3D)	EIMSK	–	–	–	–	INT3	INT2	INT1	INT0	71
0x1C (0x3C)	EIFR	–	–	–	–	INTF3	INTF2	INTF1	INTF0	72
0x1B (0x3B)	PCIFR	–	–	–	–	PCIF3	PCIF2	PCIF1	PCIF0	73
0x1A (0x3A)	GPIOR2	GPIOR27	GPIOR26	GPIOR25	GPIOR24	GPIOR23	GPIOR22	GPIOR21	GPIOR20	24
0x19 (0x39)	GPIOR1	GPIOR17	GPIOR16	GPIOR15	GPIOR14	GPIOR13	GPIOR12	GPIOR11	GPIOR10	24
0x18 (0x38)	Reserved	–	–	–	–	–	–	–	–	
0x17 (0x37)	Reserved	–	–	–	–	–	–	–	–	
0x16 (0x36)	TIFR1	–	–	ICF1	–	–	OCF1B	OCF1A	TOV1	115
0x15 (0x35)	TIFR0	–	–	–	–	–	OCF0B	OCF0A	TOV0	91
0x14 (0x34)	Reserved	–	–	–	–	–	–	–	–	
0x13 (0x33)	Reserved	–	–	–	–	–	–	–	–	
0x12 (0x32)	Reserved	–	–	–	–	–	–	–	–	
0x11 (0x31)	Reserved	–	–	–	–	–	–	–	–	

- Notes:
- For compatibility with future devices, reserved bits should be written to zero if accessed. Reserved I/O memory addresses should never be written.
 - I/O registers within the address range 0x00 - 0x1F are directly bit-accessible using the SBI and CBI instructions. In these registers, the value of single bits can be checked by using the SBIS and SBIC instructions.
 - Some of the status flags are cleared by writing a logical one to them. Note that, unlike most other AVRs, the CBI and SBI instructions will only operate on the specified bit, and can therefore be used on registers containing such status flags. The CBI and SBI instructions work with registers 0x00 to 0x1F only.
 - When using the I/O specific commands IN and OUT, the I/O addresses 0x00 - 0x3F must be used. When addressing I/O Registers as data space using LD and ST instructions, 0x20 must be added to these addresses. The ATmega16/32/64/M1/C1 is a complex microcontroller with more peripheral units than can be supported within the 64 location reserved in Opcode for the IN and OUT instructions. For the Extended I/O space from 0x60 - 0xFF in SRAM, only the ST/STS/STD and LD/LDS/LDD instructions can be used.
 - These registers are only available on ATmega32/64M1. For other products described in this datasheet, these locations are reserved.

29. Register Summary (Continued)

Address	Name	Bit 7	Bit 6	Bit 5	Bit 4	Bit 3	Bit 2	Bit 1	Bit 0	Page
0x10 (0x30)	Reserved	–	–	–	–	–	–	–	–	
0x0F (0x2F)	Reserved	–	–	–	–	–	–	–	–	
0x0E (0x2E)	PORTE	–	–	–	–	–	PORTE2	PORTE1	PORTE0	69
0x0D (0x2D)	DDRE	–	–	–	–	–	DDE2	DDE1	DDE0	69
0x0C (0x2C)	PINE	–	–	–	–	–	PINE2	PINE1	PINE0	69
0x0B (0x2B)	PORTD	PORTD7	PORTD6	PORTD5	PORTD4	PORTD3	PORTD2	PORTD1	PORTD0	69
0x0A (0x2A)	DDRD	DDD7	DDD6	DDD5	DDD4	DDD3	DDD2	DDD1	DDD0	69
0x09 (0x29)	PIND	PIND7	PIND6	PIND5	PIND4	PIND3	PIND2	PIND1	PIND0	69
0x08 (0x28)	PORTC	PORTC7	PORTC6	PORTC5	PORTC4	PORTC3	PORTC2	PORTC1	PORTC0	68
0x07 (0x27)	DDRC	DDC7	DDC6	DDC5	DDC4	DDC3	DDC2	DDC1	DDC0	69
0x06 (0x26)	PINC	PINC7	PINC6	PINC5	PINC4	PINC3	PINC2	PINC1	PINC0	69
0x05 (0x25)	PORTB	PORTB7	PORTB6	PORTB5	PORTB4	PORTB3	PORTB2	PORTB1	PORTB0	68
0x04 (0x24)	DDRB	DDB7	DDB6	DDB5	DDB4	DDB3	DDB2	DDB1	DDB0	68
0x03 (0x23)	PINB	PINB7	PINB6	PINB5	PINB4	PINB3	PINB2	PINB1	PINB0	68
0x02 (0x22)	Reserved	–	–	–	–	–	–	–	–	
0x01 (0x21)	Reserved	–	–	–	–	–	–	–	–	
0x00 (0x20)	Reserved	–	–	–	–	–	–	–	–	

- Notes:
1. For compatibility with future devices, reserved bits should be written to zero if accessed. Reserved I/O memory addresses should never be written.
 2. I/O registers within the address range 0x00 - 0x1F are directly bit-accessible using the SBI and CBI instructions. In these registers, the value of single bits can be checked by using the SBIS and SBIC instructions.
 3. Some of the status flags are cleared by writing a logical one to them. Note that, unlike most other AVR's, the CBI and SBI instructions will only operate on the specified bit, and can therefore be used on registers containing such status flags. The CBI and SBI instructions work with registers 0x00 to 0x1F only.
 4. When using the I/O specific commands IN and OUT, the I/O addresses 0x00 - 0x3F must be used. When addressing I/O Registers as data space using LD and ST instructions, 0x20 must be added to these addresses. The ATmega16/32/64/M1/C1 is a complex microcontroller with more peripheral units than can be supported within the 64 location reserved in Opcode for the IN and OUT instructions. For the Extended I/O space from 0x60 - 0xFF in SRAM, only the ST/STS/STD and LD/LDS/LDD instructions can be used.
 5. These registers are only available on ATmega32/64M1. For other products described in this datasheet, these locations are reserved.

30. Errata

30.1 Errata Summary

30.1.1 ATmega16M1/16C1/32M1/32C1 Rev. C (Mask Revision)

- LIN break delimiter
- ADC with PSC2-synchronized
- ADC amplifier measurement is unstable

30.1.2 ATmega16M1/16C1/32M1/32C1 Rev. B (Mask Revision)

- The AMPCMPx bits return 0
- No comparison when amplifier is used as comparator input and ADC input
- CRC calculation of diagnostic frames in LIN 2.x.
- Wrong TSOFFSET manufacturing calibration value
- PD0-PD3 set to outputs and PD4 pulled down following power-on with external reset active.
- LIN break delimiter
- ADC with PSC2-synchronized
- ADC amplifier measurement is unstable
- PSC emulation
- PSC OCRxx register update according to PLOCK2 usage
- Read/Write instructions of MUXn and REFS1:0

30.1.3 ATmega16M1/16C1/32M1/32C1 Rev. A (Mask Revision)

- Inopportune reset of the CANIDM registers
- The AMPCMPx bits return 0
- No comparison when amplifier is used as comparator input and ADC input
- CRC calculation of diagnostic frames in LIN 2.x
- PD0-PD3 set to outputs and PD4 pulled down following power-on with external reset active
- LIN break delimiter
- ADC with PSC2-synchronized
- ADC amplifier measurement is unstable
- PSC emulation
- Read/Write instructions of MUXn and REFS1:0

30.1.4 Errata Description

1. **Inopportune reset of the CANIDM registers**

After the reception of a CAN frame in a MOB, the ID mask registers are reset.

Problem fix / workaround

Before enabling a MOB in reception, re-initialize the ID mask registers - **CANIDM[4..1]**.

2. **The AMPCMPx bits return 0**

When they are read the AMPCMPx bits in AMPxCSR registers return 0.

Problem fix / workaround

If the reading of the AMPCMPx bits is required, store the AMPCMPx value in a variable in memory before writing in the AMPxCSR register and read the variable when necessary.

3. **No comparison when amplifier is used as comparator input and ADC input**

When it is selected as ADC input, an amplifier receives no clock signal when the ADC is stopped. In that case, if the amplifier is also used as comparator input, no analog signal is propagated and no comparison is done.

Problem fix / workaround

Select another ADC channel rather than the working amplified channel.

4. CRC calculation of diagnostic frames in LIN 2.x.

Diagnostic frames of LIN 2.x use “classic checksum” calculation. Unfortunately, the setting of the checksum model is enabled when the HEADER is transmitted/received. Usually, in LIN 2.x the LIN/UART controller is initialized to process “enhanced checksums” and a slave task does not know what kind of frame it will work on before checking the ID.

Problem fix / workaround

This workaround is to be implemented only in case of transmission/reception of diagnostics frames.

- a. Slave task of master node:
Before enabling the HEADER, the master must set the appropriate LIN13 bitvalue in LINCR register.
- b. For slaves nodes, the workaround is in 2 parts:
 - Before enabling the RESPONSE, use the following function:

```
void lin_wa_head(void) {
unsigned char temp;
temp = LINBTR;
LINCR = 0x00;          // It is not a RESET !
LINBTR = (1<<LDISR) | temp;
LINCR = (1<<LIN13) | (1<<LENA) | (0<<LCMD2) | (0<<LCMD1) | (0<<LCMD0);
LINDLR = 0x88;        // If it isn't already done
}
```

- Once the RESPONSE is received or sent (having RxOK or TxOK as well as LERR), use the following function:

```
void lin_wa_tail(void) {
LINCR = 0x00;          // It is not a RESET !
LINBTR = 0x00;
LINCR = (0<<LIN13) | (1<<LENA) | (0<<LCMD2) | (0<<LCMD1) | (0<<LCMD0);
}
```

The time-out counter is disabled during the RESPONSE when the workaround is set.

5. **Wrong TSOFFSET manufacturing calibration value.**

Erroneous value of TSOFFSET programmed in signature byte.
(TSOFFSET was introduced from REVB silicon).

Problem fix / workaround

To identify RevB with wrong TSOFFSET value, check device signature byte at address 0X3F if value is not 0X42 (Ascii code 'B') then use the following formula.

$$TS_OFFSET(True) = (150*(1-TS_GAIN))+TS_OFFSET.$$

6. **PD0-PD3 set to outputs and PD4 pulled down following power-on with external reset active.**

At power-on with the external reset signal active the four I/O lines PD0-PD3 may be forced into an output state. Normally these lines should be in an input state. PD4 may be pulled down with internal 220kΩ resistor. Following release of the reset line (whatever is the startup time) with the clock running the I/Os PD0-PD4 will adopt their intended input state.

Problem fix / workaround

None

7. **LIN Break Delimiter**

In SLAVE MODE, a BREAK field detection error can occur under following conditions. The problem occurs if 2 conditions occur simultaneously:

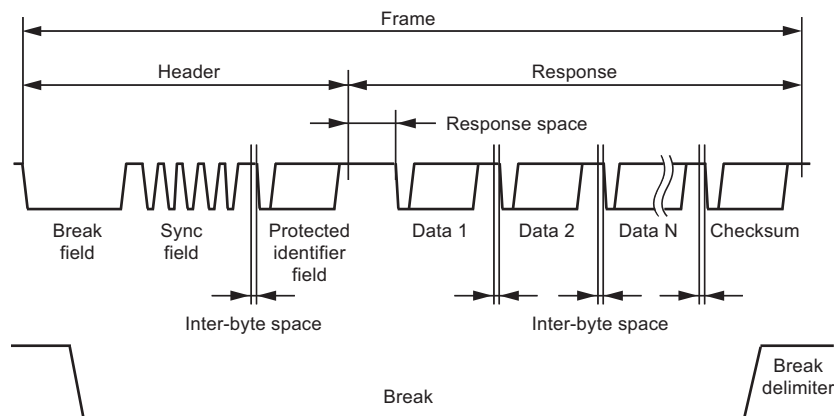
- a. The DOMINANT part of the BREAK is (N+0.5)*Tbit long with N=13, 14,15, ...
- b. The RECESSIVE part of the BREAK (BREAK DELIMITER) is equal to 1*Tbit. (see note below)

The BREAK_high is not detected, and the 2nd bit of the SYNC field is interpreted as the BREAK DELIMITER. The error is detected as a framing error on the first bits of the PID or on subsequent Data or a Checksum error.

There is no error if BREAK_high is greater than 1*Tbit + 18%. There is no problem in Master mode.

Note: LIN2.1 Protocol Specification paragraph 2.3.1.1 Break field says: “A break field is always generated by the master task(in the master node) and it shall be at least 13 nominal bit times of dominant value, followed by a break delimiter, as shown in [Figure 30-1 on page 308](#). **The break delimiter shall be at least one nominal bit time long.**”

Figure 30-1. The Break Field



Workaround

None

8. ADC measurement reports abnormal values with PSC2-synchronized conversions

When using ADC in synchronized mode, an unexpected extra Single ended conversion can spuriously re-start. This can occur when the End of conversion and the Trigger event occur at the same time.

Workaround

No workaround

9. ADC amplifier measurement is unstable

When switching from a single-ended ADC channel to an amplified channel, noise can appear on the next ADC conversion.

Workaround

After switching from a single ended to an amplified channel, discard the first ADC conversion.

10. PSC emulation

In emulation mode, TCNTn, OCRnx and ICRn 16-bit registers are accessed via the TEMP register. This can induce an execution error, in step by step mode due to TEMP register corruption.

Workaround

No workaround

11. PSC OCRxx Register Update according to PLOCK2 Usage

If the PSC is clocked from PLL, and if PLOCK2 bit is changed at the same time as PSC end of cycle occurs, and if OCRxx registers contents have been changed, then the updated OCRxx registers contents are not predictable. The cause is a synchronization issue between two registers in two different clock domains (PLL clock which clocks PSC and CPU clock).

Workaround

Enable the PSC end of cycle interrupt.

At the beginning of PSC EOC interrupt vector, change PLOCK value (OCRxx registers can be updated outside the interrupt vector).

This process guarantees that UPDATE and PLOCK actions will not occur at the same moment.

12. Read / Write instructions of MUXn and REFS1:0 bits in the ADMUX Register during Analog conversion

during Analog conversion, the set or clear instructions of ADMUX channel and reference selection bits will fail. The bits of the temporary buffer will be written in place of the final bits.

Workaround

Wait for the end of ADC conversion before any write of new channel or reference selection values in ADMUX.

31. Ordering Information

Table 31-1. ATmega16/32/64/M1/C1 Ordering Codes

Memory Size	PSC	Power Supply	Ordering Code	Package	Operation Range
16K	Yes	2.7 to 5.5V	MEGA16M1-15AZ	MA	-40°C to +125°C
16K	Yes	2.7 to 5.5V	MEGA16M1-15MZ	PV	-40°C to +125°C
32K	No	2.7 to 5.5V	MEGA32C1-15AZ	MA	-40°C to +125°C
32K	No	2.7 to 5.5V	MEGA32C1-15MZ	PV	-40°C to +125°C
32K	Yes	2.7 to 5.5V	MEGA32M1-15AZ	MA	-40°C to +125°C
32K	Yes	2.7 to 5.5V	MEGA32M1-15MZ	PV	-40°C to +125°C
64K	No	2.7 to 5.5V	MEGA64C1-15AZ	MA	-40°C to +125°C
64K	No	2.7 to 5.5V	MEGA64C1-15MZ	PV	-40°C to +125°C
64K	Yes	2.7 to 5.5V	MEGA64M1-15AZ	MA	-40°C to +125°C
64K	Yes	2.7 to 5.5V	MEGA64M1-15MZ	PV	-40°C to +125°C

Note: All packages are Pb free, fully LHF.

32. Package Information

Table 32-1. ATmega16/32/64/M1/C1 Package Information

Package Type	
MA	32-lead, 7x7mm body size, 1.0mm body thickness, 0.8mm lead pitch, thin profile plastic quad flat package (TQFP)
PV	32-lead, 7x7mm body, 0.65mm pitch, quad flat no lead package (QFN)

Figure 32-1. MA

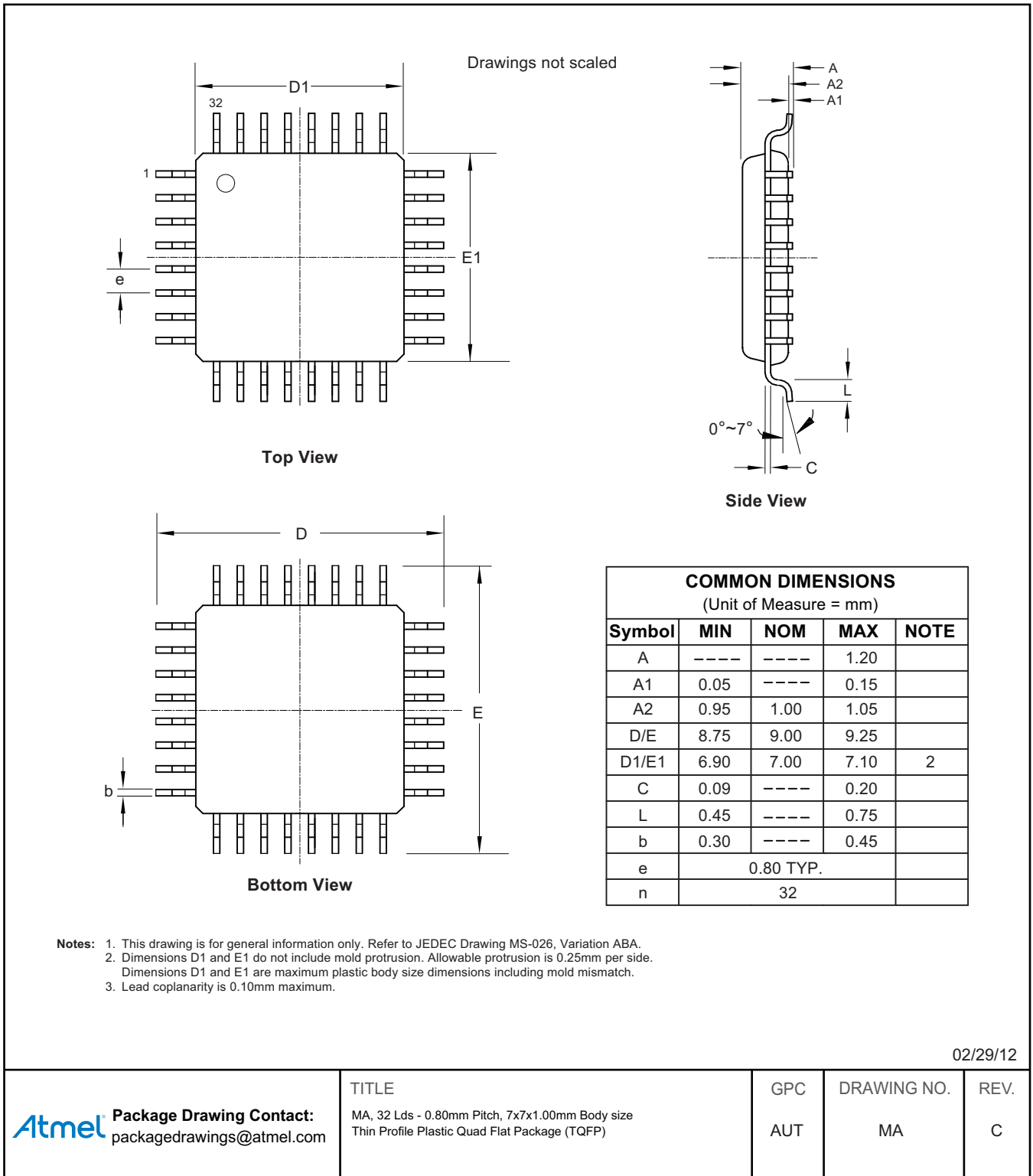
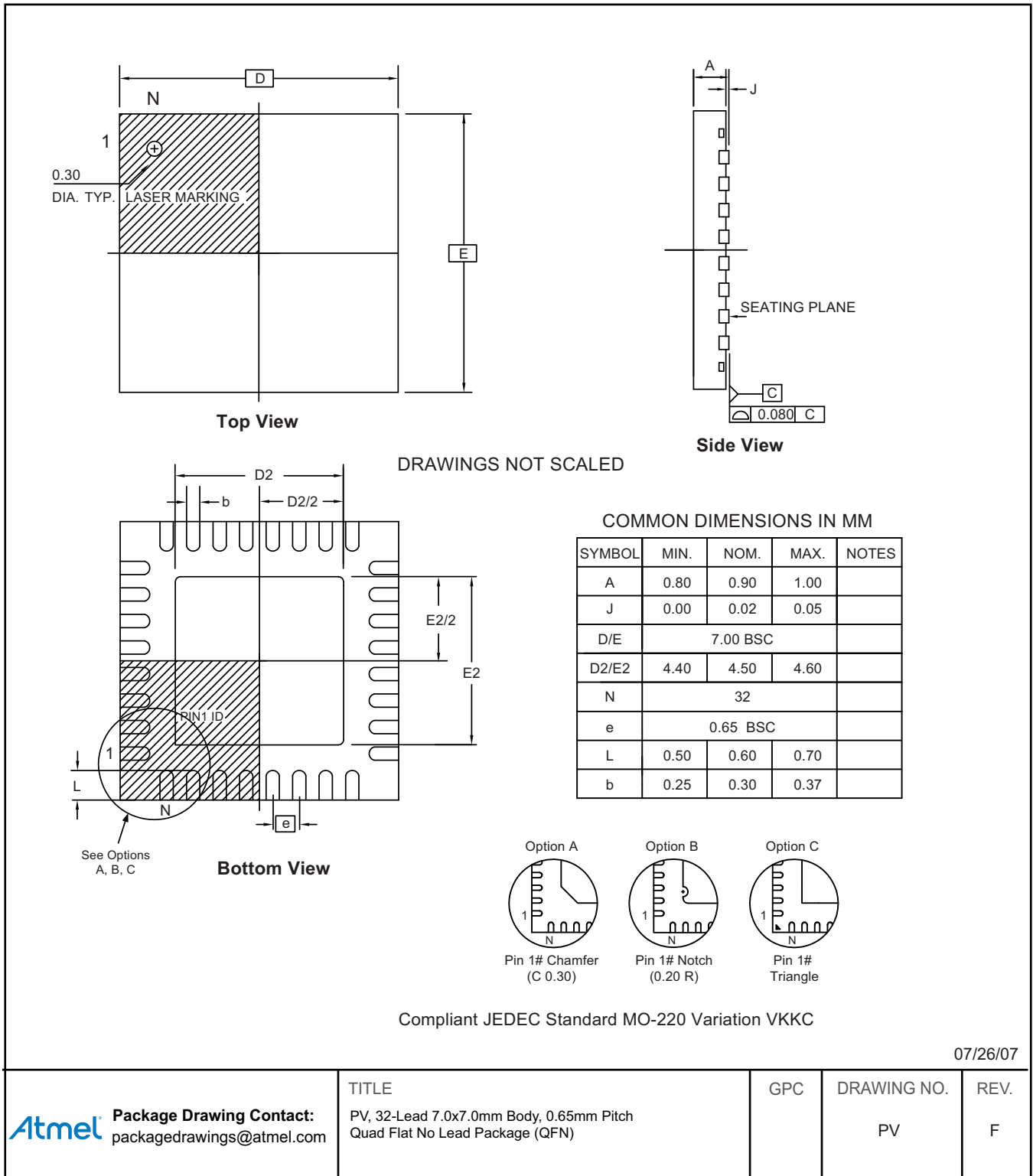


Figure 32-2. PV



33. Revision History

Please note that the following page numbers referred to in this section refer to the specific revision mentioned, not to this document.

Revision No.	History
7647O-AVR-01/15	<ul style="list-style-type: none"> • Section 30.1.2 “ATmega16M1/16C1/32M1/32C1 Rev. B (Mask Revision)” on page 306 updated • Number 11. in Section 30.1.4 “Errata Description” on page 308 added
7647N-AVR-11/14	<ul style="list-style-type: none"> • Table 7-1 “Reset Characteristics” on page 39 updated
7647M-AVR-08/14	<ul style="list-style-type: none"> • Section 31 “Ordering Information” on page 309 updated
7647L-AVR-07/14	<ul style="list-style-type: none"> • Put datasheet in the latest template
7647K-AVR-12/13	<ul style="list-style-type: none"> • Table 25-17 “Serial Programming Instruction Set” on page 272 updated
7647J-AVR-04/13	<ul style="list-style-type: none"> • Section 26.8 “CAN Physical Layer Characteristics” on page 322 added
7647I-AVR-07/12	<ul style="list-style-type: none"> • Section “Features” on page 2 updated • Table 0-1 “ATmega32/64/M1/C1 Product Line-up” on page 2 updated • Table 7-5 “Watchdog Timer Configuration” on page 55 updated
7647H-AVR-03/12	<ul style="list-style-type: none"> • Package drawing updated • ADC description updated
7647G-AVR-09/11	<ul style="list-style-type: none"> • Errata list updated • DAC description updated
7647F-AVR-04/09	<ul style="list-style-type: none"> • Package Information updated • Stack pointer updated
7647E-AVR-03/09	<ul style="list-style-type: none"> • Flash Boot Loader Parameters updated • DC Characteristics updated • ISRC - Current Source updated • Analog comparator updated • Clock Characteristics updated • ADC noise canceller updated • Brown-out Detection updated • Ordering Information updated • ADC Characteristics updated • Typical Characteristics updated
7647D-AVR-08/08	<ul style="list-style-type: none"> • Manufacturing Calibration update • Errata update
7647C-AVR-07/08	<ul style="list-style-type: none"> • Added ATmega16M1 product offering • Modified Clock Distribution diagram, Figure 5-1 on page 25 • Modified PLL Clocking System diagram, Figure 5-3 on page 30 • Modified Section 5.6.1 “Internal PLL” on page 29 • Updated analog comparator Hysteresis Voltage, see Section 26.2 “DC Characteristics” on page 273 • Updated Current Source Value, see Section 26.2 “DC Characteristics” on page 273 • Updated Table 25-12 on page 260 • Updated Table 25-13 on page 260 • Added PCICR definition in Section 29. “Register Summary” on page 299

34. Table of Contents

Features	1
1. Pin Configurations	3
1.1 Pin Descriptions	5
2. Overview	8
2.1 Block Diagram	8
2.2 Automotive Quality Grade	9
2.3 Pin Descriptions	9
2.4 About Code Examples	10
3. AVR CPU Core	11
3.1 Introduction	11
3.2 Architectural Overview	11
3.3 ALU – Arithmetic Logic Unit	12
3.4 Status Register	12
3.5 General Purpose Register File	13
3.6 Stack Pointer	15
3.7 Instruction Execution Timing	15
3.8 Reset and Interrupt Handling	16
4. Memories	18
4.1 In-system Reprogrammable Flash Program Memory	18
4.2 SRAM Data Memory	18
4.3 EEPROM Data Memory	20
4.4 I/O Memory	23
4.5 General Purpose I/O Registers	24
5. System Clock	25
5.1 Clock Systems and their Distribution	25
5.2 Clock Sources	26
5.3 Default Clock Source	27
5.4 Low Power Crystal Oscillator	27
5.5 Calibrated Internal RC Oscillator	28
5.6 PLL	29
5.7 128 kHz Internal Oscillator	31
5.8 External Clock	31
5.9 Clock Output Buffer	32
5.10 System Clock Prescaler	32
6. Power Management and Sleep Modes	34
6.1 Sleep Mode Control Register	34
6.2 Idle Mode	35
6.3 ADC noise reduction Mode	35
6.4 Power-down Mode	35
6.5 Standby Mode	35
6.6 Power Reduction Register	36
6.7 Minimizing Power Consumption	37
7. System Control and Reset	38
7.1 Resetting the AVR	38
7.2 Reset Sources	38
7.3 Internal Voltage Reference	42
7.4 Watchdog Timer	43

8.	Interrupts	47
8.1	Interrupt Vectors in ATmega16/32/64/M1/C1	47
9.	I/O-Ports	51
9.1	Introduction	51
9.2	Ports as General Digital I/O	52
9.3	Alternate Port Functions	55
9.4	Register Description for I/O-Ports	68
10.	External Interrupts	70
10.1	Pin Change Interrupt Timing	70
10.2	External Interrupt Control Register A – EICRA	71
11.	Timer/Counter0 and Timer/Counter1 Prescalers	75
11.1	Internal Clock Source	75
11.2	Prescaler Reset	75
11.3	External Clock Source	75
12.	8-bit Timer/Counter0 with PWM	77
12.1	Overview	77
12.2	Timer/Counter Clock Sources	78
12.3	Counter Unit	78
12.4	Output Compare Unit	79
12.5	Compare Match Output Unit	80
12.6	Modes of Operation	81
12.7	Timer/Counter Timing Diagrams	85
12.8	8-bit Timer/Counter Register Description	86
13.	16-bit Timer/Counter1 with PWM	92
13.1	Overview	92
13.2	Accessing 16-bit Registers	94
13.3	Timer/Counter Clock Sources	96
13.4	Counter Unit	97
13.5	Input Capture Unit	98
13.6	Output Compare Units	99
13.7	Compare Match Output Unit	101
13.8	Modes of Operation	102
13.9	Timer/Counter Timing Diagrams	108
13.10	16-bit Timer/Counter Register Description	110
14.	Power Stage Controller – (PSC) (only ATmega16/32/64M1)	116
14.1	Features	116
14.2	Overview	116
14.3	Accessing 16-bit Registers	116
14.4	PSC Description	117
14.5	Functional Description	118
14.6	Update of Values	121
14.7	Overlap Protection	122
14.8	Signal Description	122
14.9	PSC Input	125
14.10	PSC Input Modes 001b to 10xb: Deactivate Outputs without Changing Timing	126
14.11	PSC Input Mode 11xb: Halt PSC and Wait for Software Action	126
14.12	Analog Synchronization	126
14.13	Interrupt Handling	126
14.14	PSC Clock Sources	126
14.15	Interrupts	127
14.16	PSC Register Definition	127

15.	Serial Peripheral Interface – SPI	133
15.1	Features	133
15.2	SS Pin Functionality	137
15.3	Data Modes	140
16.	Controller Area Network - CAN	141
16.1	Features	141
16.2	CAN Protocol	141
16.3	CAN Controller	145
16.4	CAN Channel	148
16.5	Message Objects	149
16.6	CAN Timer	152
16.7	Error Management	153
16.8	Interrupts	155
16.9	CAN Register Description	157
16.10	General CAN Registers	158
16.11	MOB Registers	167
16.12	Examples of CAN Baud Rate Setting	172
17.	LIN / UART - Local Interconnect Network Controller or UART	174
17.1	LIN Features	174
17.2	UART Features	174
17.3	LIN Protocol	175
17.4	LIN / UART Controller	176
17.5	LIN / UART Description	181
17.6	LIN / UART Register Description	190
18.	Analog to Digital Converter - ADC	197
18.1	Features	197
18.2	Operation	199
18.3	Starting a Conversion	199
18.4	Prescaling and Conversion Timing	200
18.5	Changing Channel or Reference Selection	202
18.6	ADC Noise Canceler	203
18.7	ADC Conversion Result	207
18.8	Temperature Measurement	208
18.9	ADC Register Description	210
18.10	Amplifier	214
18.11	Amplifier Control Registers	218
19.	ISRC - Current Source	222
19.1	Features	222
19.2	Typical applications	222
19.3	Control Register	224
20.	Analog Comparator	225
20.1	Features	225
20.2	Overview	225
20.3	Use of ADC Amplifiers	227
20.4	Analog Comparator Register Description	227
21.	Digital to Analog Converter - DAC	233
21.1	Features	233
21.2	Operation	234
21.3	Starting a Conversion	234
21.4	DAC Register Description	234

22.	Analog Feature Considerations	237
22.1	Purpose	237
22.2	Use of an Amplifier as Comparator Input	237
22.3	Use of an Amplifier as Comparator Input and ADC Input	237
22.4	Analog Peripheral Clock Sources	238
23.	debugWIRE On-chip Debug System	239
23.1	Features	239
23.2	Overview	239
23.3	Physical Interface	239
23.4	Software Break Points	240
23.5	Limitations of debugWIRE	240
23.6	debugWIRE Related Register in I/O Memory	240
24.	Boot Loader Support – Read-while-write Self-Programming	
	ATmega16/32/64/M1/C1	241
24.1	Boot Loader Features	241
24.2	Application and Boot Loader Flash Sections	241
24.3	Read-while-write and no Read-while-write Flash Sections	241
24.4	Boot Loader Lock Bits	243
24.5	Entering the Boot Loader Program	244
24.6	Addressing the Flash during Self-Programming	246
24.7	Self-programming the Flash	246
25.	Memory Programming	255
25.1	Program and Data Memory Lock Bits	255
25.2	Fuse Bits	256
25.3	PSC Output Behavior during Reset	256
25.4	Signature Bytes	258
25.5	Calibration Byte	258
25.6	Parallel Programming Parameters, Pin Mapping, and Commands	259
25.7	Serial Programming Pin Mapping	261
25.8	Parallel Programming	261
25.9	Serial Downloading	270
26.	Electrical Characteristics	273
26.1	Absolute Maximum Ratings	273
26.2	DC Characteristics	273
26.3	Clock Characteristics	276
26.4	External Clock Drive Characteristics	276
26.5	Maximum Speed versus V_{CC}	277
26.6	PLL Characteristics	277
26.7	SPI Timing Characteristics	278
26.8	CAN Physical Layer Characteristics	279
26.9	ADC Characteristics	280
26.10	Parallel Programming Characteristics	282
27.	ATmega16/32/64/M1/C1 Typical Characteristics	284
27.1	Active Supply Current	284
27.2	Idle Supply Current	285
27.3	Power-down Supply Current	287
27.4	Pin Pull-up	288
27.5	Pin Driver Strength	289
27.6	Pin Thresholds and Hysteresis	290
27.7	BOD Thresholds and Analog Comparator Hysteresis	292
27.8	Analog Reference	293
27.9	Internal Oscillator Speed	294

28.	Instruction Set Summary	296
29.	Register Summary	299
30.	Errata	306
30.1	Errata Summary	306
31.	Ordering Information	309
32.	Package Information	309
33.	Revision History	312
34.	Table of Contents	313



Atmel Corporation 1600 Technology Drive, San Jose, CA 95110 USA T: (+1)(408) 441.0311 F: (+1)(408) 436.4200 | www.atmel.com

© 2015 Atmel Corporation. / Rev.: 7647O-AVR-01/15

Atmel®, Atmel logo and combinations thereof, Enabling Unlimited Possibilities®, AVR®, and others are registered trademarks or trademarks of Atmel Corporation in U.S. and other countries. Other terms and product names may be trademarks of others.

DISCLAIMER: The information in this document is provided in connection with Atmel products. No license, express or implied, by estoppel or otherwise, to any intellectual property right is granted by this document or in connection with the sale of Atmel products. EXCEPT AS SET FORTH IN THE ATMEL TERMS AND CONDITIONS OF SALES LOCATED ON THE ATMEL WEBSITE, ATMEL ASSUMES NO LIABILITY WHATSOEVER AND DISCLAIMS ANY EXPRESS, IMPLIED OR STATUTORY WARRANTY RELATING TO ITS PRODUCTS INCLUDING, BUT NOT LIMITED TO, THE IMPLIED WARRANTY OF MERCHANTABILITY, FITNESS FOR A PARTICULAR PURPOSE, OR NON-INFRINGEMENT. IN NO EVENT SHALL ATMEL BE LIABLE FOR ANY DIRECT, INDIRECT, CONSEQUENTIAL, PUNITIVE, SPECIAL OR INCIDENTAL DAMAGES (INCLUDING, WITHOUT LIMITATION, DAMAGES FOR LOSS AND PROFITS, BUSINESS INTERRUPTION, OR LOSS OF INFORMATION) ARISING OUT OF THE USE OR INABILITY TO USE THIS DOCUMENT, EVEN IF ATMEL HAS BEEN ADVISED OF THE POSSIBILITY OF SUCH DAMAGES. Atmel makes no representations or warranties with respect to the accuracy or completeness of the contents of this document and reserves the right to make changes to specifications and products descriptions at any time without notice. Atmel does not make any commitment to update the information contained herein. Unless specifically provided otherwise, Atmel products are not suitable for, and shall not be used in, automotive applications. Atmel products are not intended, authorized, or warranted for use as components in applications intended to support or sustain life.

SAFETY-CRITICAL, MILITARY, AND AUTOMOTIVE APPLICATIONS DISCLAIMER: Atmel products are not designed for and will not be used in connection with any applications where the failure of such products would reasonably be expected to result in significant personal injury or death ("Safety-Critical Applications") without an Atmel officer's specific written consent. Safety-Critical Applications include, without limitation, life support devices and systems, equipment or systems for the operation of nuclear facilities and weapons systems. Atmel products are not designed nor intended for use in military or aerospace applications or environments unless specifically designated by Atmel as military-grade. Atmel products are not designed nor intended for use in automotive applications unless specifically designated by Atmel as automotive-grade.

Mouser Electronics

Authorized Distributor

Click to View Pricing, Inventory, Delivery & Lifecycle Information:

Microchip:

[ATMEGA32M1-15AZ](#) [ATMEGA16M1-15MZ](#) [ATMEGA16M1-15AZ](#) [ATMEGA32C1-15AZ](#) [ATMEGA32M1-15MZ](#)
[ATMEGA32C1-15MZ](#) [ATMEGA64C1-15AZ](#) [ATMEGA64C1-15MZ](#) [ATMEGA64M1-15AZ](#) [ATMEGA64M1-15MZ](#)