

Binding Post - Insulated Standard With - Thumb Nut-Grounded Type

SPECIFICATIONS

Stud: Brass per QQ-B-626D

Finish: Nickel

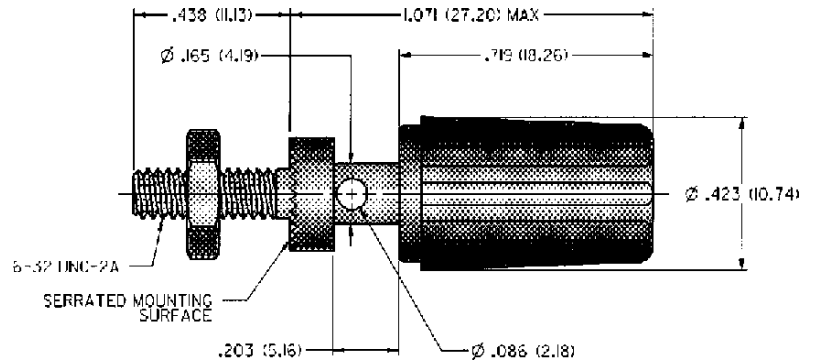
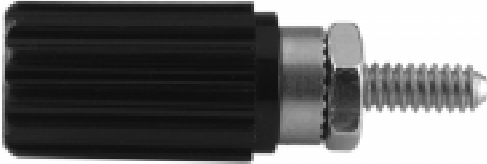
Insulating Material: Nylon 6/6 per ASTM D4066

Hardware: Nickel plated nut (unassembled)

Panel Thickness: Up to .313 (7.95)

RATINGS

Current: 15 amps



NICKEL PLATING	
PART NO.	COLOR
111-0703-001	Black

For Standard Banana Plug: .175 (4.44) Across Flats

FEATURES:

- Serrated mounting surface prevents turning
- Captivated thumb nut
- .094 (2.39) diameter cross-hole accommodates up to 12 gauge wire
- Nylon UL approved for self-extinguishing

Mouser Electronics

Authorized Distributor

Click to View Pricing, Inventory, Delivery & Lifecycle Information:

[Cinch Connectivity Solutions:](#)

[111-0703-001](#)