



FEATURES

- RoHS compliant
- Lead frame technology
- Single isolated output
- 1kVDC Isolation
- Efficiency up to 78%
- Power density 1.8W/cm³
- Wide temperature performance at full 1 Watt load, -40°C to 85°C
- UL 94V-0 Package material
- Footprint over pins 1.37cm²
- 3.3V, 5V & 12V Input
- 3.3V, 5V, 9V, 12V & 15V output
- No heatsink required
- Internal SMD construction
- Toroidal magnetics
- MTTF up to 6.8 million hours
- Custom solutions available
- Multi-layer ceramic capacitors

PRODUCT OVERVIEW

The NTE series of miniature surface mounted DC/DC Converters employ leadframe technology and transfer moulding techniques to bring all of the benefits of IC style packaging to hybrid circuitry. The co-planarity of the pin positions is based upon IEC 191-6:1990. The devices are suitable for all applications where high volume production is envisaged.

SELECTION GUIDE

| Order Code ¹ | Nominal Input Voltage | Output Voltage | Output Current | Input Current at Rated Load | Efficiency | Isolation Capacitance | MTTF ² |
|-------------------------|-----------------------|----------------|----------------|-----------------------------|------------|-----------------------|-------------------|
| | V | V | mA | mA | % | pF | kHrs |
| NTE0303MC | 3.3 | 3.3 | 303 | 410 | 73 | 30 | 5348 |
| NTE0305MC | 3.3 | 5 | 200 | 390 | 78 | 35 | 3847 |
| NTE0309MC | 3.3 | 9 | 111 | 400 | 77 | 31 | 3134 |
| NTE0312MC | 3.3 | 12 | 83 | 400 | 77 | 28 | 3473 |
| NTE0315MC | 3.3 | 15 | 66 | 400 | 77 | 29 | 2473 |
| NTE0503MC | 5 | 3.3 | 303 | 270 | 74 | 40 | 5515 |
| NTE0505MC | 5 | 5 | 200 | 294 | 68 | 35 | 6857 |
| NTE0505MEC | 5 | 5 | 200 | 260 | 77 | 40 | 3933 |
| NTE0506MC | 5 | 6 | 167 | 278 | 72 | 39 | 6677 |
| NTE0509MC | 5 | 9 | 111 | 267 | 75 | 43 | 5501 |
| NTE0512MC | 5 | 12 | 83 | 260 | 77 | 42 | 3957 |
| NTE0515MC | 5 | 15 | 66 | 256 | 78 | 44 | 2747 |
| NTE1205MC | 12 | 5 | 200 | 124 | 67 | 47 | 4683 |
| NTE1209MC | 12 | 9 | 111 | 114 | 73 | 77 | 4008 |
| NTE1212MC | 12 | 12 | 83 | 113 | 74 | 88 | 3121 |
| NTE1215MC | 12 | 15 | 66 | 111 | 75 | 95 | 2316 |

INPUT CHARACTERISTICS

| Parameter | Conditions | Min. | Typ. | Max. | Units |
|--------------------------|--|------|------|------|--------|
| Voltage range | Continuous operation, 3.3V input types | 2.97 | 3.3 | 3.63 | V |
| | Continuous operation, 5V input types | 4.5 | 5.0 | 5.5 | |
| | Continuous operation, 12V input types | 10.8 | 12.0 | 13.2 | |
| Reflected ripple current | | | 30 | 47 | mA p-p |

ISOLATION CHARACTERISTICS

| Parameter | Conditions | Min. | Typ. | Max. | Units |
|-------------------|---------------------------|------|------|------|-------|
| Isolation voltage | Flash tested for 1 second | 1000 | | | VDC |
| Resistance | Viso= 1000VDC | 10 | | | GΩ |

GENERAL CHARACTERISTICS

| Parameter | Conditions | Min. | Typ. | Max. | Units |
|---------------------|------------------|------|------|------|-------|
| Switching frequency | All output types | | 110 | | kHz |

ABSOLUTE MAXIMUM RATINGS

| | |
|---|-------|
| Internal power dissipation | 600mW |
| Input voltage V _{IN} , NTE03 types | 5.5V |
| Input voltage V _{IN} , NTE05 types | 7V |
| Input voltage V _{IN} , NTE12 types | 15V |

1. If components are required in tape and reel format suffix order code with -R, e.g. NTE0505MC-R.

2. Calculated using MIL-HDBK-217 FN2 calculation model with nominal input voltage at full load.

All specifications typical at T_A=25°C, nominal input voltage and rated output current unless otherwise specified.



For full details go to
www.murata-ps.com/rohs

| OUTPUT CHARACTERISTICS | | | | | |
|------------------------------|---|------|------|------|--------|
| Parameter | Conditions | Min. | Typ. | Max. | Units |
| Rated power | T _A =-40°C to 85°C | | | 1.0 | W |
| Voltage set point accuracy | See tolerance envelope | | | | |
| Line regulation | High V _{IN} to low V _{IN} | | 1.0 | 1.2 | %/% |
| Load regulation ¹ | 10% load to rated load, 03XXMC, 0503MC, 0505MEC | | 10 | 14 | % |
| | 10% load to rated load, 0505MC & 1205MC | | 12.8 | 15 | |
| | 10% load to rated load, 0506MC | | 9.2 | 10 | |
| | 10% load to rated load, 0509MC & 1209MC | | 8.3 | 9.0 | |
| | 10% load to rated load, 0512MC & 1212MC | | 6.8 | 7.5 | |
| | 10% load to rated load, 0515MC & 1215MC | | 6.3 | 7.0 | |
| Ripple and noise | BW=DC to 20MHz, 03XXMC, 0503MC, 0505MEC | | 40 | 60 | mV p-p |
| | BW=DC to 20MHz, 0505MC & 1205MC | | 62 | 85 | |
| | BW=DC to 20MHz, 0506MC | | 103 | 170 | |
| | BW=DC to 20MHz, 0509MC & 1209MC | | 49 | 75 | |
| | BW=DC to 20MHz, 0512MC & 1212MC | | 39 | 65 | |
| | BW=DC to 20MHz, 0515MC & 1215MC | | 38 | 76 | |

| TEMPERATURE CHARACTERISTICS | | | | | |
|-------------------------------------|---|------|------|------|-------|
| Parameter | Conditions | Min. | Typ. | Max. | Units |
| Specification | All output types | -40 | | 85 | °C |
| Storage | | -55 | | 125 | |
| Case temperature rise above ambient | 0305MC, 0309MC, 0315MC | | 25 | | |
| | 0303MC, 0312MC, 0503MC, 0505MEC, 0509MC, 0512MC, 0515MC | | 30 | | |
| | 0505MC, 1205MC | | 43 | | |
| | 1209MC, 1212MC, 1215MC | | 40 | | |
| Cooling | Free air convection | | | | |

TECHNICAL NOTES

ISOLATION VOLTAGE

'Hi Pot Test', 'Flash Tested', 'Withstand Voltage', 'Proof Voltage', 'Dielectric Withstand Voltage' & 'Isolation Test Voltage' are all terms that relate to the same thing, a test voltage, applied for a specified time, across a component designed to provide electrical isolation, to verify the integrity of that isolation.

Murata Power Solutions NTE series of DC/DC converters are all 100% production tested at their stated isolation voltage. This is 1kVDC for 1 second.

A question commonly asked is, "What is the continuous voltage that can be applied across the part in normal operation?"

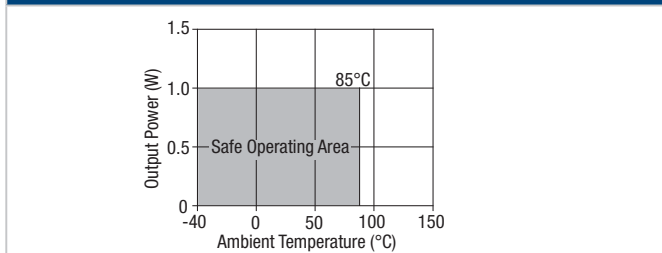
For a part holding no specific agency approvals, such as the NTE series, both input and output should normally be maintained within SELV limits i.e. less than 42.4V peak, or 60VDC. The isolation test voltage represents a measure of immunity to transient voltages and the part should never be used as an element of a safety isolation system. The part could be expected to function correctly with several hundred volts offset applied continuously across the isolation barrier; but then the circuitry on both sides of the barrier must be regarded as operating at an unsafe voltage and further isolation/insulation systems must form a barrier between these circuits and any user-accessible circuitry according to safety standard requirements.

REPEATED HIGH-VOLTAGE ISOLATION TESTING

It is well known that repeated high-voltage isolation testing of a barrier component can actually degrade isolation capability, to a lesser or greater degree depending on materials, construction and environment. The NTE series has toroidal isolation transformers, with no additional insulation between primary and secondary windings of enameled wire. While parts can be expected to withstand several times the stated test voltage, the isolation capability does depend on the wire insulation. Any material, including this enamel (typically polyurethane) is susceptible to eventual chemical degradation when subject to very high applied voltages thus implying that the number of tests should be strictly limited. We therefore strongly advise against repeated high voltage isolation testing, but if it is absolutely required, that the voltage be reduced by 20% from specified test voltage.

This consideration equally applies to agency recognized parts rated for better than functional isolation where the wire enamel insulation is always supplemented by a further insulation system of physical spacing or barriers.

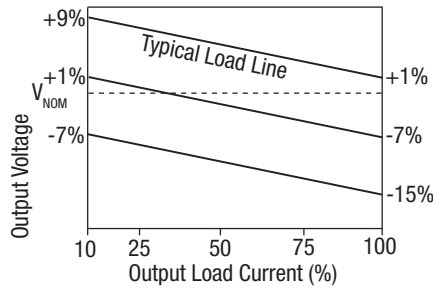
TEMPERATURE DERATING GRAPH



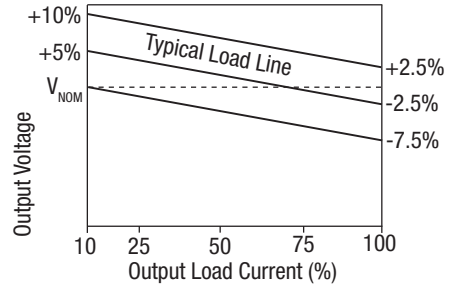
1. 12V input types have typically 3% less load regulation change.

TOLERANCE ENVELOPES

3.3V output types.



All other types.



The voltage tolerance envelope shows typical load regulation characteristics for this product series. The tolerance envelope is the maximum output voltage variation due to changes in output loading.

RoHS COMPLIANCE, MSL AND PSL INFORMATION



This series is compatible with RoHS soldering systems and is also backward compatible with Sn/Pb soldering systems. The NTE series has a process, moisture, and reflow sensitivity classification of MSL1 PSL R7F as defined in J-STD-020 and J-STD-075. This translates to: MSL1 = unlimited floor life, PSL R7F = Peak reflow temperature 245°C with a limitation on the time above liquidus (217°C) which for this series is 60sec max. The pin termination finish on this product series is Gold with a plating thickness of 0.05 microns minimum.

For further information please visit www.murata-ps.com/rohs

APPLICATION NOTES

Minimum load

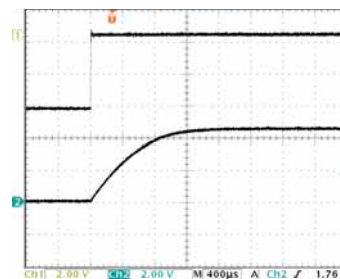
The minimum load to meet datasheet specification is 10% of the full rated load across the specified input voltage range. Lower than 10% minimum loading will result in an increase in output voltage, which may rise to typically double the specified output voltage if the output load falls to less than 5%.

Capacitive loading and start up

Typical start up times for this series, with a typical input voltage rise time of 2.2µs and output capacitance of 10µF, are shown in the table below. The product series will start into a capacitance of 47µF with an increased start time, however, the maximum recommended output capacitance is 10µF.

| | Start-up time µs | | Start-up time µs |
|------------|---------------------|-----------|---------------------|
| NTE0303MC | 437 | NTE0506MC | 7200 |
| NTE0305MC | 1359 | NTE0509MC | 3146 |
| NTE0309MC | 3435 | NTE0512MC | 4960 |
| NTE0312MC | 6590 | NTE0515MC | 7740 |
| NTE0315MC | 7625 | NTE1205MC | 895 |
| NTE0503MC | 533 | NTE1209MC | 2150 |
| NTE0505MC | 1368 | NTE1212MC | 3640 |
| NTE0505MEC | 721 | NTE1215MC | 7180 |

Typical Start-Up Wave Form



APPLICATION NOTES (continued)

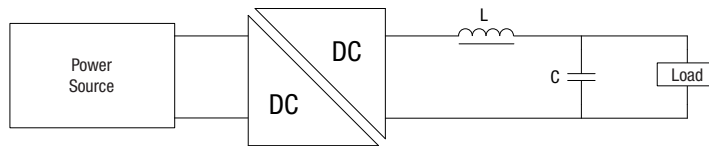
Output Ripple Reduction

By using the values of inductance and capacitance stated, the output ripple at the rated load is lowered to 5mV p-p max.

Component selection

Capacitor: It is required that the ESR (Equivalent Series Resistance) should be as low as possible, ceramic types are recommended. The voltage rating should be at least twice (except for 15V output), the rated output voltage of the DC/DC converter.

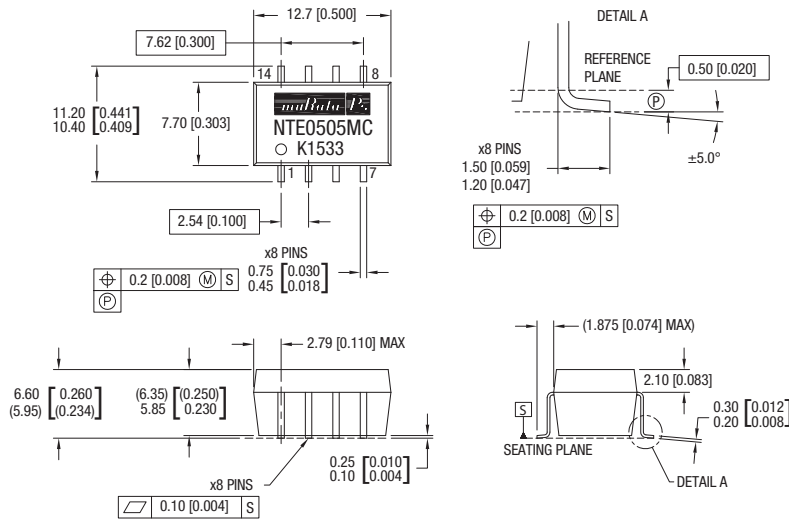
Inductor: The rated current of the inductor should not be less than that of the output of the DC/DC converter. At the rated current, the DC resistance of the inductor should be such that the voltage drop across the inductor is <2% of the rated voltage of the DC/DC converter. The SRF (Self Resonant Frequency) should be >20MHz.



| | Inductor | | | Capacitor |
|------------|------------|--------|--------------|------------|
| | L, μ H | SMD | Through Hole | C, μ F |
| NTE0303MC | 10 | 82103C | 11R103C | 4.7 |
| NTE0305MC | 47 | 82473C | 11R103C | 4.7 |
| NTE0309MC | 22 | 82223C | 11R223C | 2.2 |
| NTE0312MC | 10 | 82103C | 11R103C | 1 |
| NTE0315MC | 47 | 82473C | 11R473C | 1 |
| NTE0503MC | 10 | 82103C | 11R103C | 4.7 |
| NTE0505MC | 47 | 82473C | 11R473C | 4.7 |
| NTE0505MEC | 47 | 82473C | 11R473C | 4.7 |
| NTE0506MC | 10 | 82103C | 11R103C | 4.7 |
| NTE0509MC | 22 | 82223C | 11R223C | 2.2 |
| NTE0512MC | 47 | 82473C | 11R473C | 1 |
| NTE0515MC | 47 | 82473C | 11R473C | 1 |
| NTE1205MC | 47 | 82473C | 11R473C | 4.7 |
| NTE1209MC | 22 | 82223C | 11R223C | 2.2 |
| NTE1212MC | 47 | 82473C | 11R473C | 1 |
| NTE1215MC | 47 | 82473C | 11R473C | 1 |

PACKAGE SPECIFICATIONS

MECHANICAL DIMENSIONS



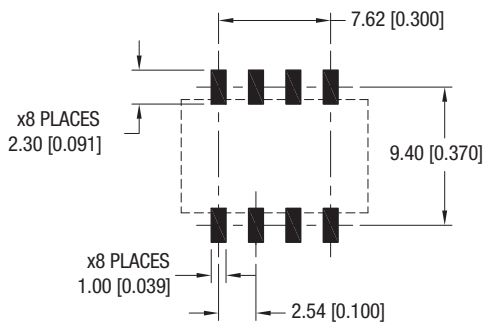
All dimensions in mm ± 0.25 mm (inches ± 0.01). All pins on a 2.54 (0.1) pitch and within ± 0.25 (0.01) of true position. Weight: 1.21g

PIN CONNECTIONS

| Pin | Function |
|-----|----------|
| 1 | -VIN |
| 3 | +VIN |
| 5 | NA |
| 7 | -VOUT |
| 8 | +VOUT |
| 10 | NA |
| 12 | NA |
| 14 | NA |

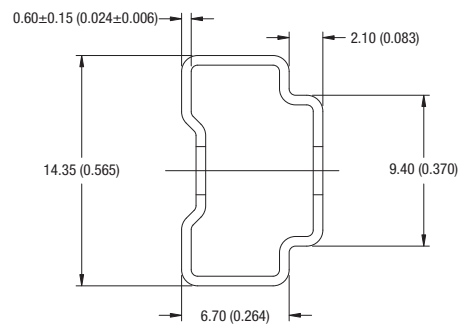
NA - Not available for electrical connection.

RECOMMENDED FOOTPRINT DETAILS



All pins on a 2.54mm pitch. Unless otherwise stated all dimensions in mm (inches) ± 0.5 mm.

TUBE OUTLINE DIMENSIONS

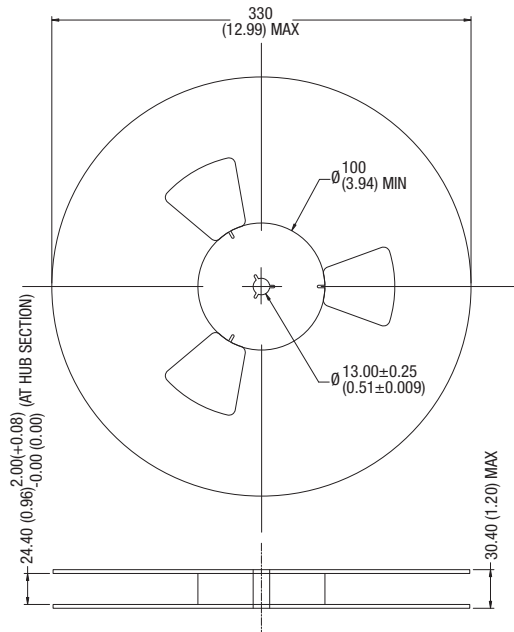


Unless otherwise stated all dimensions in mm ± 0.5 mm (inches ± 0.02). Tube length : 475 ± 2.0 (18.70 ± 0.07).

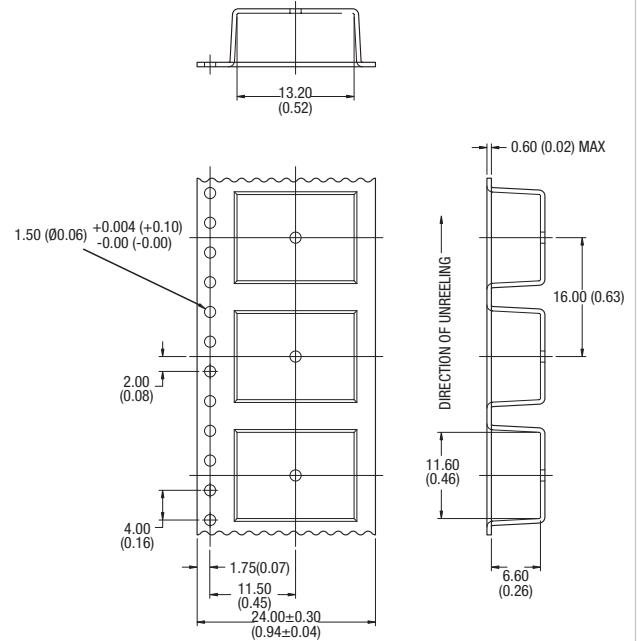
Tube Quantity : 35

TAPE & REEL SPECIFICATIONS

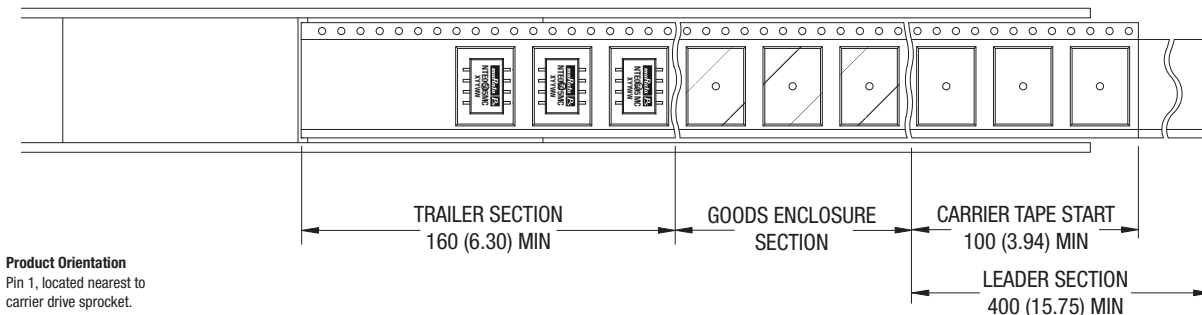
REEL OUTLINE DIMENSIONS



TAPE OUTLINE DIMENSIONS



REEL PACKAGING DETAILS



Product Orientation
Pin 1, located nearest to carrier drive sprocket.

Reel Quantity : 500

Murata Power Solutions, Inc.
11 Cabot Boulevard, Mansfield, MA 02048-1151 U.S.A.
ISO 9001 and 14001 REGISTERED



This product is subject to the following **operating requirements** and the **Life and Safety Critical Application Sales Policy**:
Refer to: <http://www.murata-ps.com/requirements/>

Murata Power Solutions, Inc. makes no representation that the use of its products in the circuits described herein, or the use of other technical information contained herein, will not infringe upon existing or future patent rights. The descriptions contained herein do not imply the granting of licenses to make, use, or sell equipment constructed in accordance therewith. Specifications are subject to change without notice. © 2015 Murata Power Solutions, Inc.

Mouser Electronics

Authorized Distributor

Click to View Pricing, Inventory, Delivery & Lifecycle Information:

Murata:

[NTE0303M](#) [NTE0305M](#) [NTE0503M](#) [NTE0505M](#) [NTE0512M](#) [NTE0515M](#) [NTE1205M](#) [NTE1212M](#) [NTE1215M](#)
[NTE0509M](#) [NTE1209M](#) [NTE0505ME](#) [NTE1205MC](#) [NTE0505MC](#) [NTE0515MC](#) [NTE1215MC](#) [NTE0303MC-R](#)
[NTE0305MC-R](#) [NTE0309MC](#) [NTE0309MC-R](#) [NTE0312MC](#) [NTE0312MC-R](#) [NTE0315MC](#) [NTE0315MC-R](#)
[NTE0503MC-R](#) [NTE0505MC-R](#) [NTE0505MEC](#) [NTE0505MEC-R](#) [NTE0509MC-R](#) [NTE0512MC-R](#) [NTE0515MC-R](#)
[NTE1205MC-R](#) [NTE1209MC](#) [NTE1209MC-R](#) [NTE1212MC-R](#) [NTE1215MC-R](#) [NTE0506MC](#) [NTE0512MC](#)
[NTE1212MC](#) [NTE0303MC](#) [NTE0305MC](#) [NTE0503MC](#) [NTE0509MC](#) [NTE0506MC-R](#)