

PART NAME

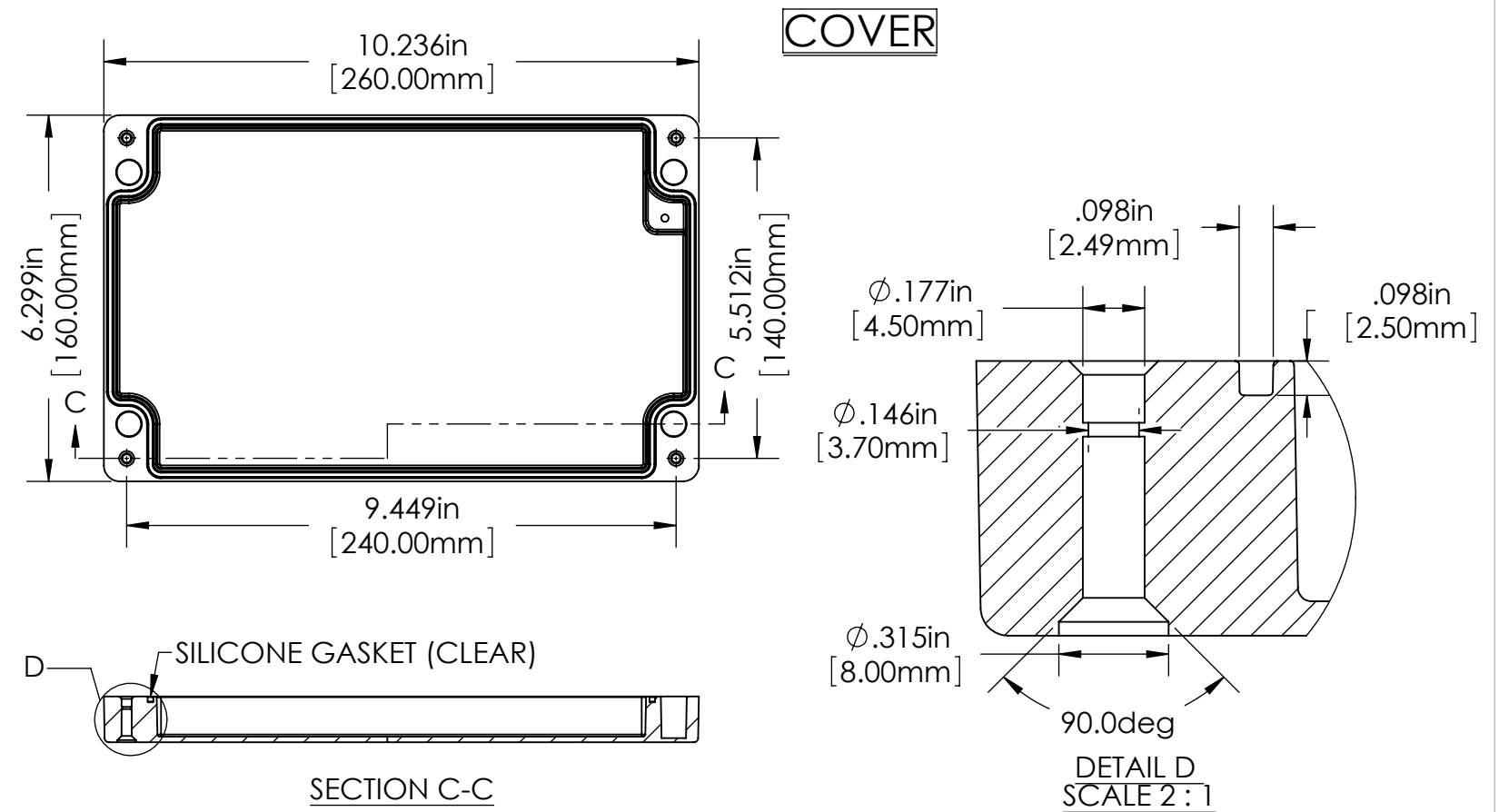
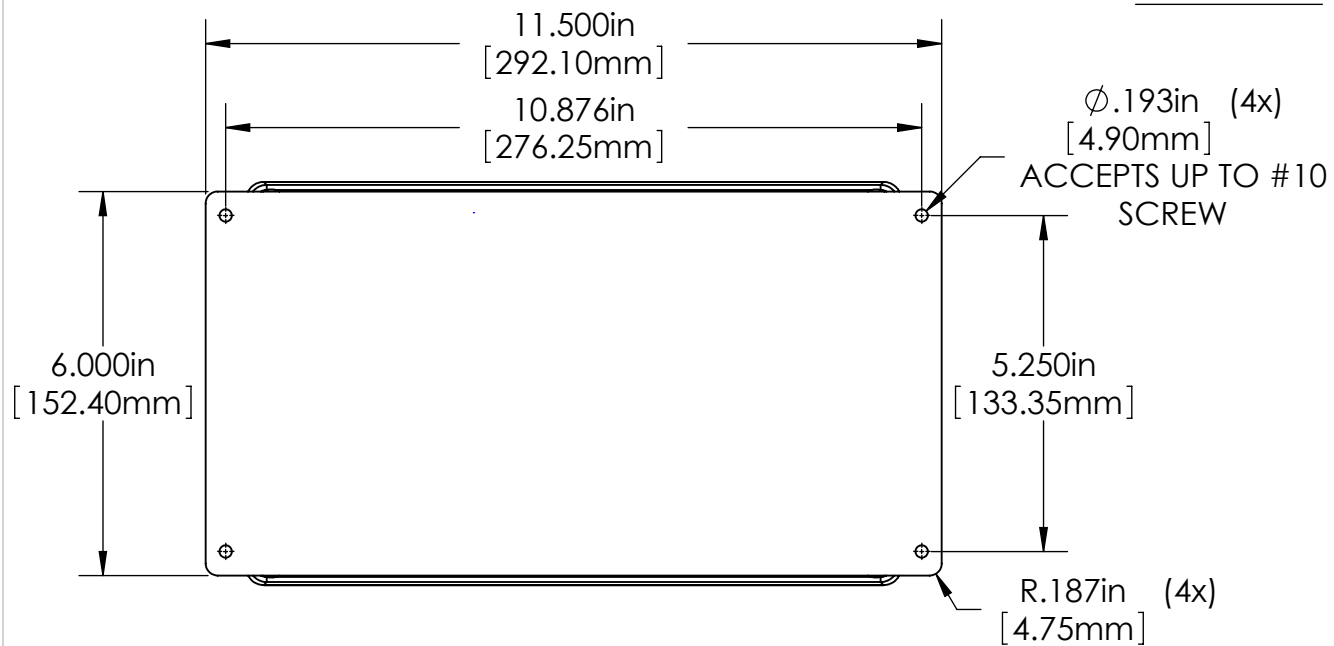
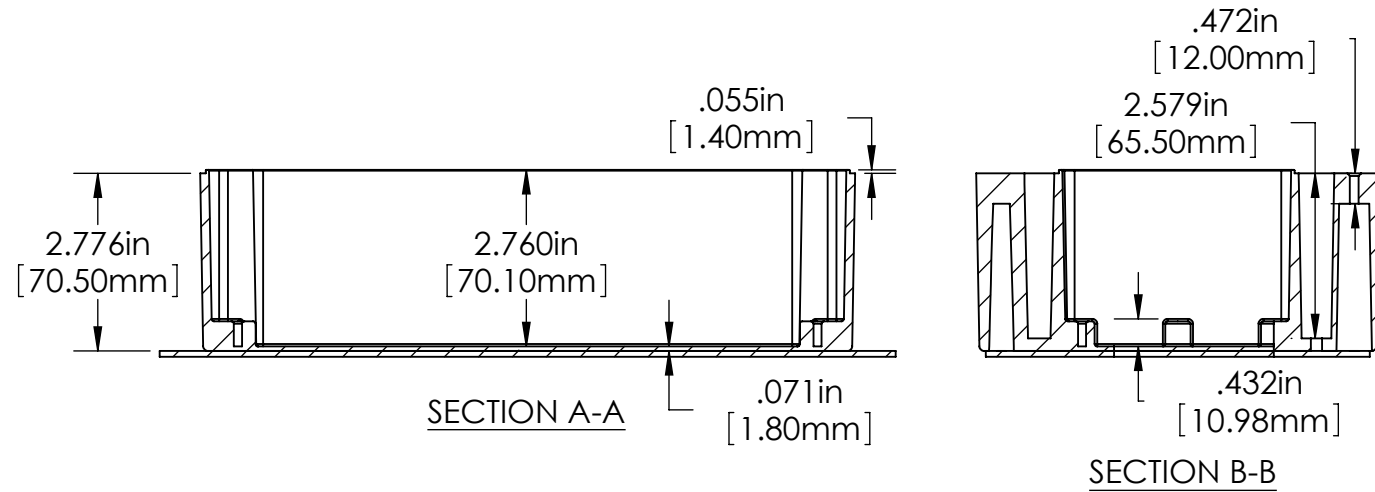
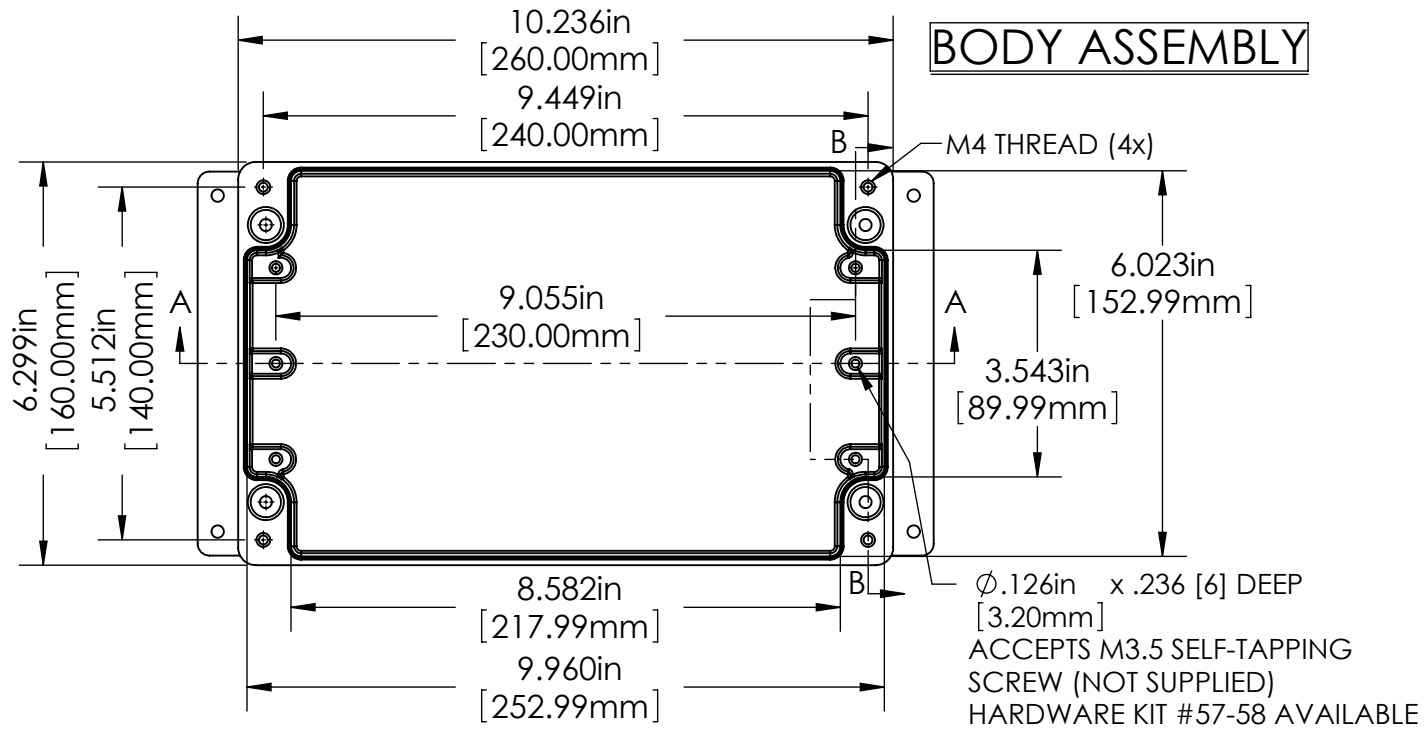
NEMA 4X DIE CAST ALUMINUM ENCLOSURE

PART No.

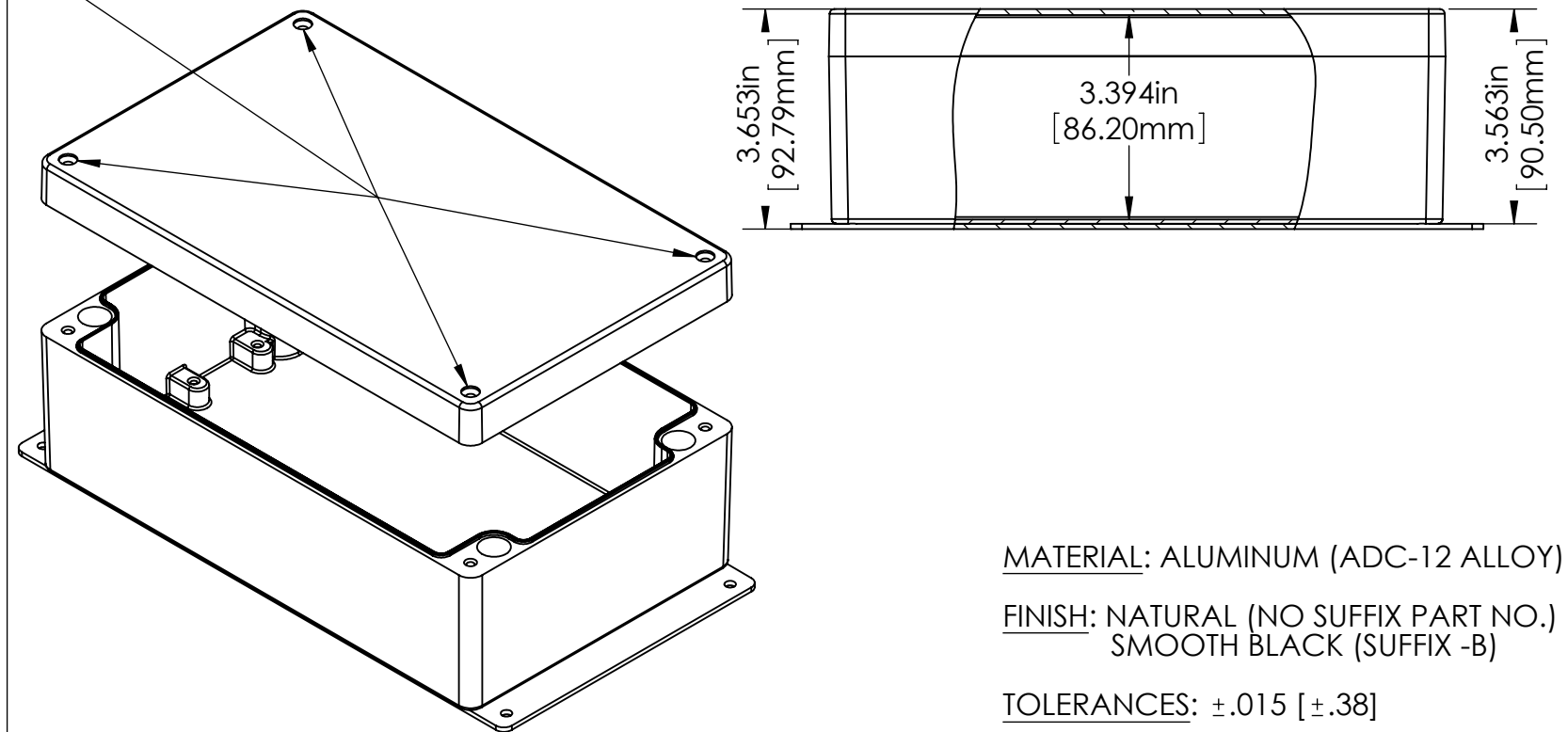
AN-2823

AN-2823-B

REVISION DATE 8/17/2010



FOUR (4) M4 x 32mm (1.26") LG. FLAT HD. STAINLESS STEEL SCREWS SUPPLIED FOR ASSEMBLY OF COVER



MATERIAL: ALUMINUM (ADC-12 ALLOY)
FINISH: NATURAL (NO SUFFIX PART NO.)
 SMOOTH BLACK (SUFFIX -B)
TOLERANCES: ±.015 [±.38]

Mouser Electronics

Authorized Distributor

Click to View Pricing, Inventory, Delivery & Lifecycle Information:

[Bud Industries:](#)

[AN-2823](#) [AN-2823-B](#)