

# Customer Information Sheet

DRAWING No.: M80-520XXXX

SHEET 2 OF 2

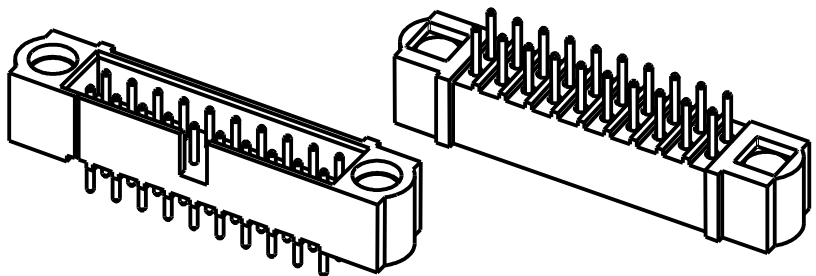
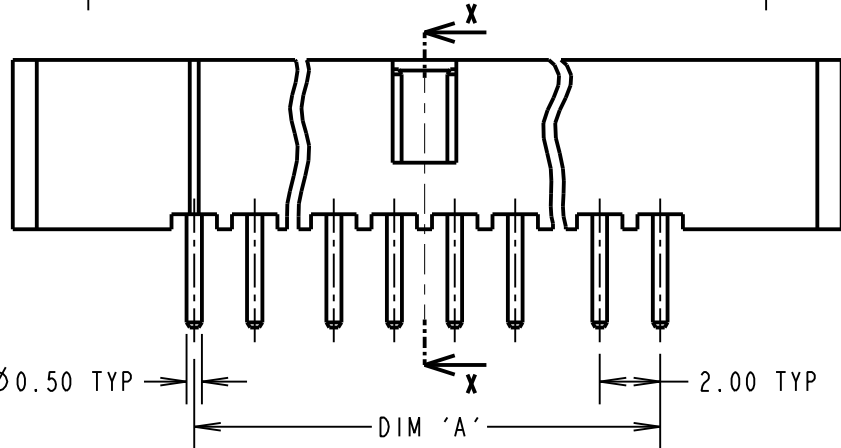
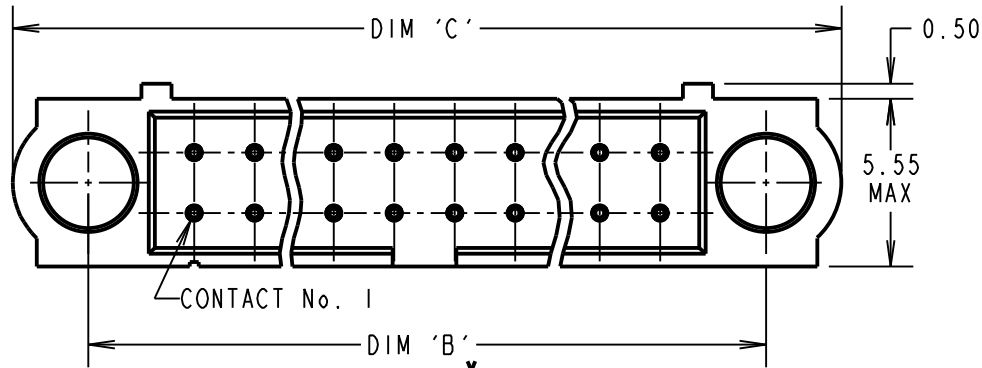
IF IN DOUBT - ASK

©

NOT TO SCALE

THIRD ANGLE PROJECTION

ALL DIMENSIONS IN mm

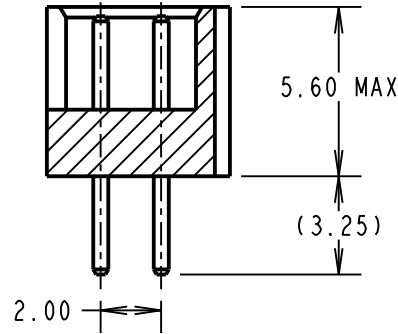


ORDER CODE:  
**M80-520XXXX**

TOTAL No. OF CONTACTS  
04 TO 50  
(EVEN NUMBERS ONLY)

FINISH:  
05 - GOLD  
22 - SELECTIVE GOLD, TIN/LEAD  
42 - SELECTIVE GOLD, 100% TIN

SECTION X-X



**SPECIFICATIONS:**

**MATERIAL:**  
MOULDING = GLASS-FILLED PPS,  
UL94V-0, BLACK  
CONTACT = PHOSPHOR BRONZE

**FINISH:**  
05 = 0.75µ GOLD  
22 = 0.75µ GOLD ON CONTACT AREA,  
3µ 90/10 TIN/LEAD ON TAILS  
42 = 0.75µ GOLD ON CONTACT AREA,  
3µ 100% TIN OVER NICKEL ON TAILS

**ELECTRICAL:**  
CURRENT RATING AT 25°C = 3.0A MAX  
CURRENT RATING AT 85°C = 2.2A MAX  
WORKING VOLTAGE = 800V AC/DC  
VOLTAGE PROOF = 1200V AC/DC  
CONTACT RESISTANCE = 25 mΩ MAX  
INSULATION RESISTANCE = 100 MΩ MIN

**MECHANICAL:**  
DURABILITY = 500 OPERATIONS

**ENVIRONMENTAL:**  
TEMPERATURE RANGE = -55°C TO +125°C

**PACKING:**  
TUBE

FOR COMPLETE SPECIFICATION, SEE  
COMPONENT SPECIFICATION C005XX  
(LATEST ISSUE)

**NOTES:**

1. RECOMMENDED PCB HOLE  
SIZE = Ø0.70mm±0.05.

DIMENSION	CALCULATION
DIM 'A'	TOTAL No. OF CONTACTS - 2
DIM 'B'	TOTAL No. OF CONTACTS + 5
DIM 'C'	TOTAL No. OF CONTACTS + 10

EXAMPLE: CONNECTOR WITH 20 CONTACTS, GOLD ON CONTACT AREA AND 100% TIN OVER NICKEL ON TAIL, M80-5202042.

DIM 'A' = 18.00mm, DIM 'B' = 25.00mm, DIM 'C' = 30.00mm

MSP	3	18.08.15	11507
NAME	ISS.	DATE	C/NOTE
APPROVED: M.PERREN			
CHECKED: M.PLESTED			
DRAWN: W. J. BOURNE			
CUSTOMER REF.:			
ASSEMBLY DRG:			

**HARWIN**

www.harwin.com  
technical@harwin.com

THIS DRAWING AND ANY INFORMATION OR DESCRIPTIVE MATTER SET OUT HEREON ARE CONFIDENTIAL AND COPYRIGHT PROPERTY OF THE HARWIN GROUP AND MUST NOT BE DISCLOSED, LOANED, COPIED OR USED FOR MANUFACTURING, TENDERING OR FOR ANY OTHER PURPOSE WITHOUT THEIR WRITTEN PERMISSION.

**TOLERANCES**  
X. = ±1mm  
X.X = ±0.50mm  
X.XX = ±0.10mm  
X.XXX = ±0.01mm

ANGLES = ±5°  
UNLESS STATED

**MATERIAL:**  
SEE ABOVE

**FINISH:** SEE ABOVE

**S/AREA:** mm<sup>2</sup>

**TITLE:** JACKSCREW DATAMATE  
DIL VERTICAL PC TAIL  
MALE ASSEMBLY (NO J/S)

**DRAWING NUMBER:** M80-520XXXX

SHT 2 OF 2

# Mouser Electronics

Authorized Distributor

Click to View Pricing, Inventory, Delivery & Lifecycle Information:

## Harwin:

[M80-5205022](#) [M80-5201022](#) [M80-5201422](#) [M80-5202042](#) [M80-5204422](#) [M80-5202642](#) [M80-5205042](#) [M80-5200642](#) [M80-5201042](#) [M80-5201442](#) [M80-5204242](#) [M80-5203422](#) [M80-5204222](#) [M80-5202622](#) [M80-5201242](#) [M80-5201822](#) [M80-5201842](#) [M80-5200605](#) [M80-5201405](#) [M80-5201605](#) [M80-5200442](#) [M80-5203642](#) [M80-5202005](#) [M80-5200405](#) [M80-5201005](#) [M80-5203842](#) [M80-5204042](#) [M80-5201642](#) [M80-5200842](#) [M80-5201805](#) [M80-5202605](#) [M80-5201205](#) [M80-5202442](#) [M80-5200422](#) [M80-5203822](#) [M80-5202822](#) [M80-5200822](#)