

NOTES:

1. MATERIALS:

HOUSING:

- "BLANK"=NYLON 6/6, UNFILLED UL94 V-2, COLOR: NATURAL
- "130"=GLASS FILLED LCP, UL94 V-0, COLOR: BLACK
IEC 60335-1, 5TH EDITION GLOW WIRE CAPABLE
- "210"=NYLON 6/6, UNFILLED UL94 V-0, COLOR: NATURAL
- "400"=NYLON 6/6, UNFILLED UL94 V-0, COLOR: BLACK

TERMINALS:

BRASS

2. TERMINAL PLATING:

- "BLANK"=.000035/(0.00090) MIN. REFLOWED MATTE TIN OVER
.000020/(0.00050) MIN. COPPER (PREPLATE)
(FINISH IS BRIGHT IN APPEARANCE, THICKNESS AS APPLIED PRIOR TO REFLOW)
- GS2=.000015/(0.00038) MIN. SELECT GOLD AND
.000100/(0.00254) MIN. SELECT MATTE TIN OVER
.000050/(0.00127) MIN. NICKEL OVERALL
- GS=.000030/(0.00076) MIN. SELECT GOLD AND
.000100/(0.00254) MIN. SELECT MATTE TIN OVER
.000050/(0.00127) MIN. NICKEL OVERALL
- S=.000100/(0.00254) MIN. BRIGHT TIN OVER
.000050/(0.00127) MIN. NICKEL
- MS=.000100/(0.00254) MIN. MATTE TIN OVER
.000050/(0.00127) MIN. NICKEL

3. PRODUCT SPECIFICATION: PS-5556-001

4. PACKAGING: TRAY PACKED PER PK-5566-002

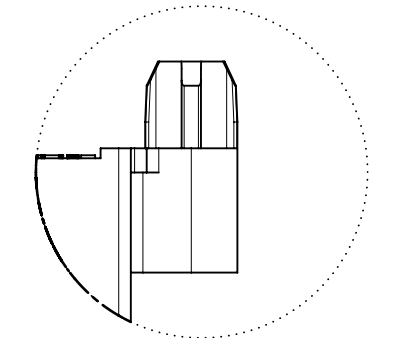
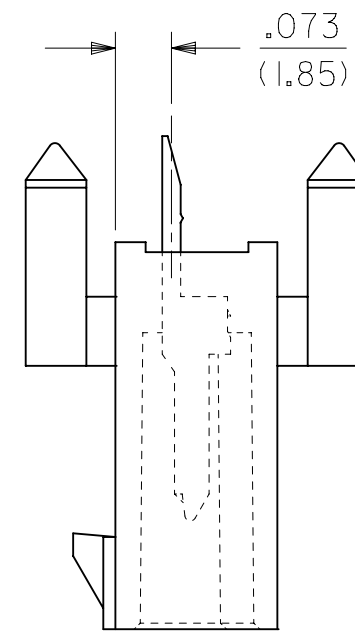
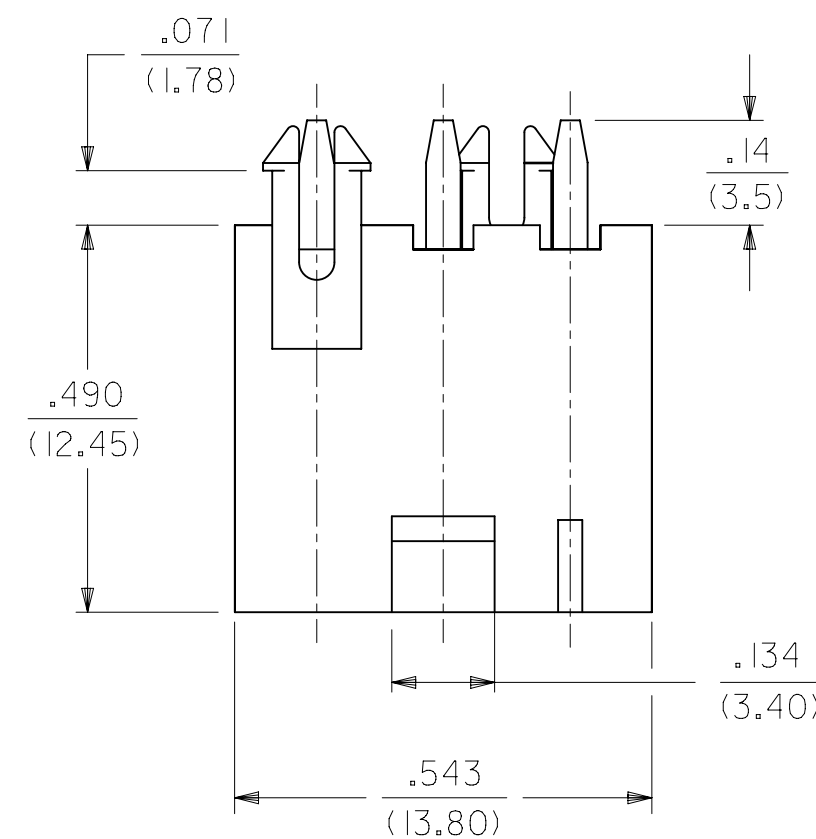
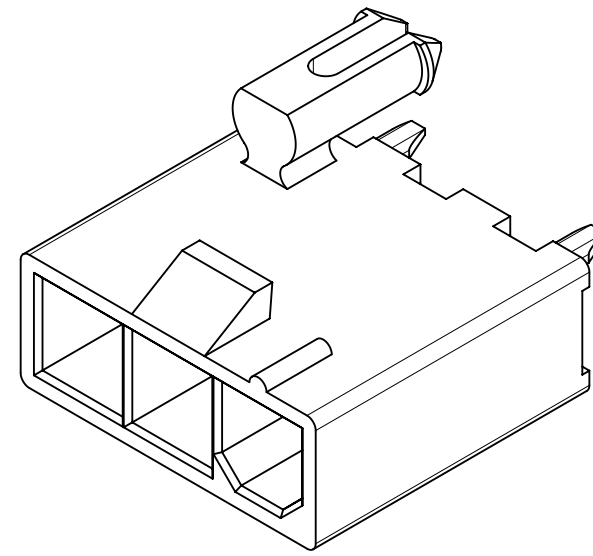
5. PART MATES WITH MINI-FIT JR. RECEPTACLE NO. 5557.

6. ALL DIMENSIONS ARE REFERENCE UNLESS OTHERWISE SPECIFIED.

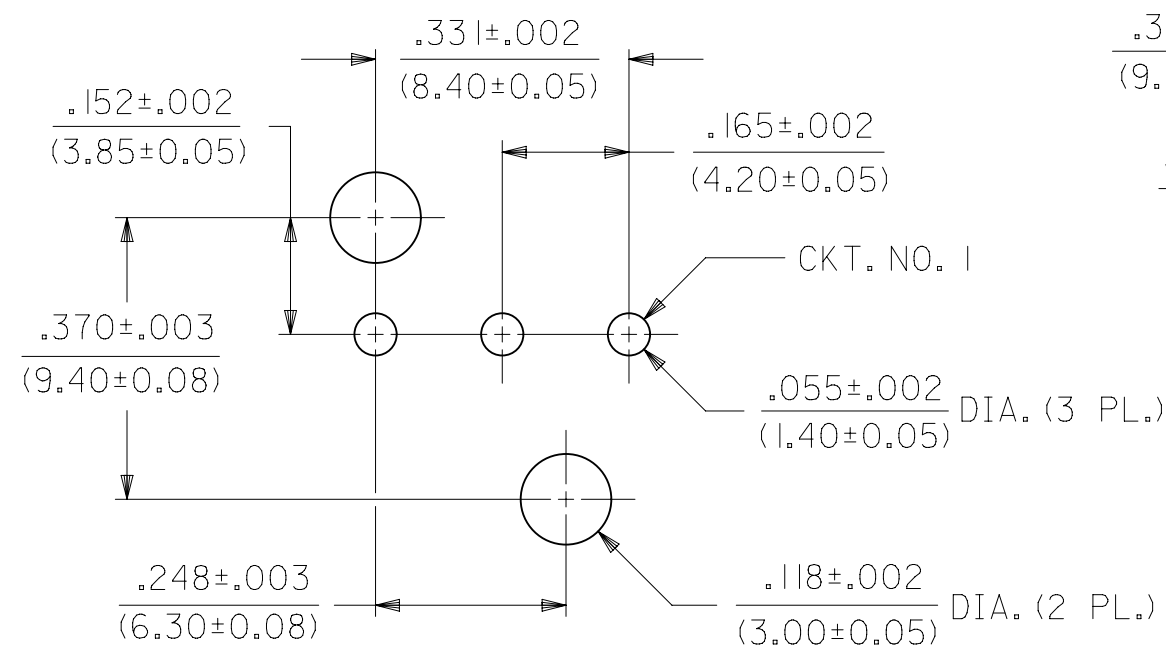
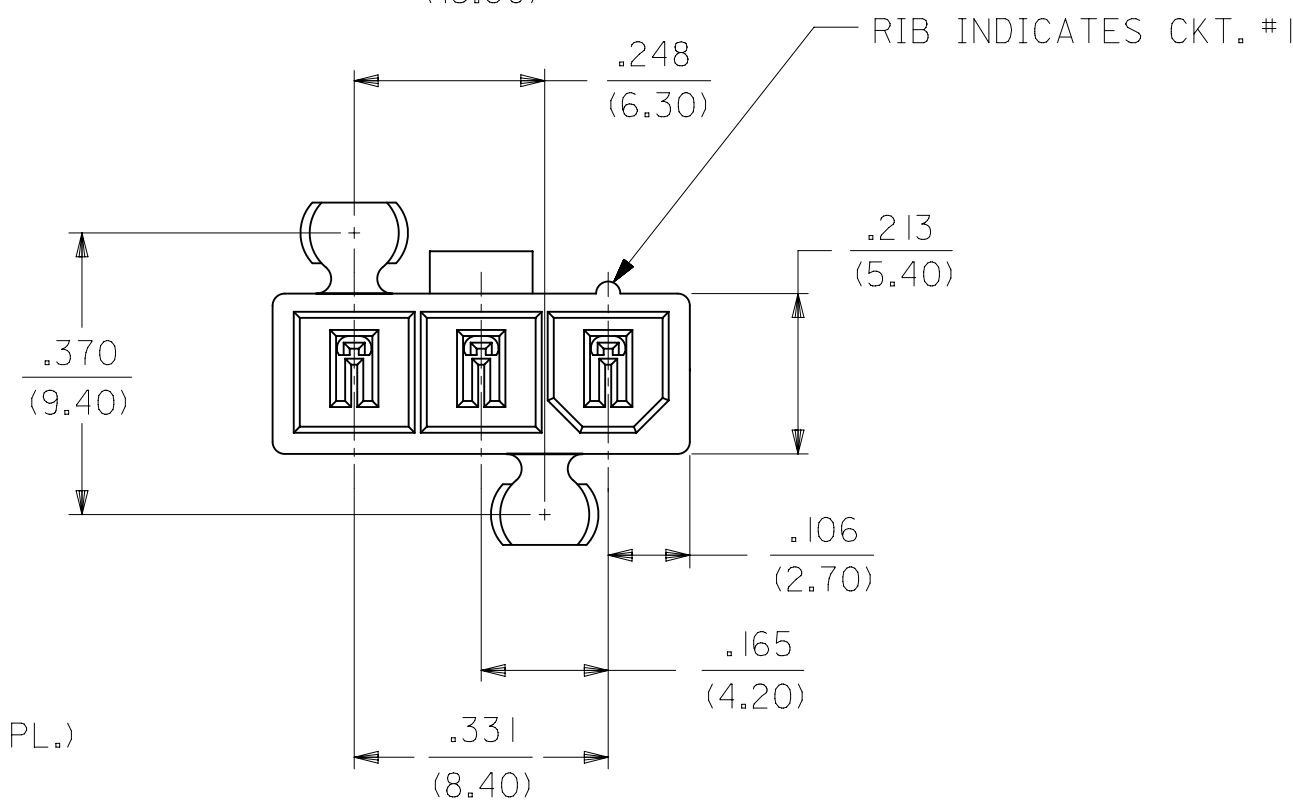
7. PART IS NOT DESIGNED FOR CURRENT SHARING.

8. PARTS ARE NOT TO BE MATED OR UN-MATED WHILE CIRCUITS ARE LIVE.

9. PART CONFORMS TO CLASS "B" REQUIREMENTS OF COSMETIC SPECIFICATION PS-45499-002.



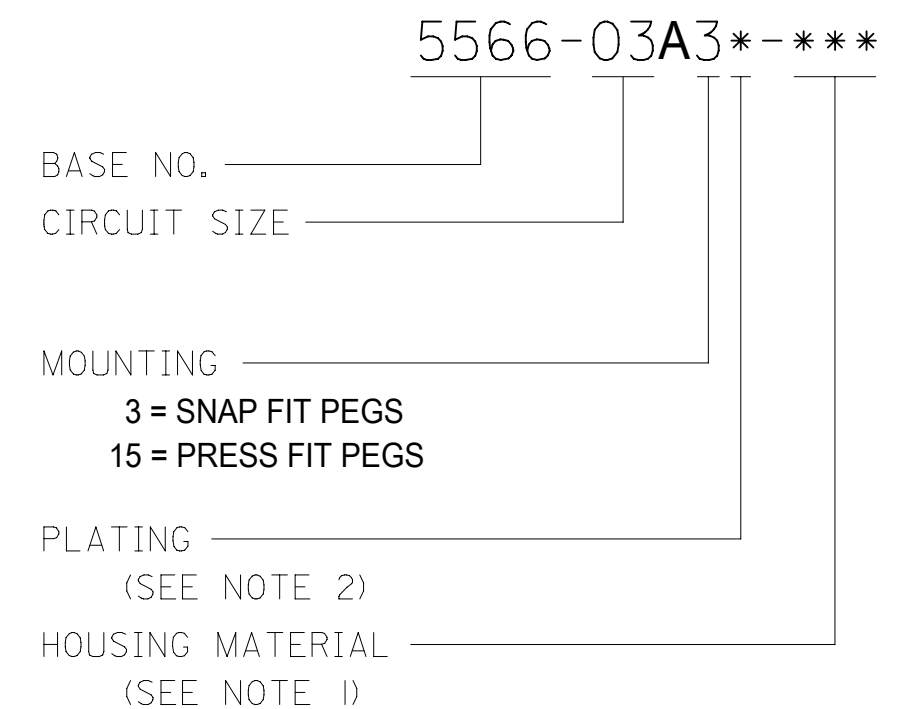
PRESS FIT PEG OPTION



RECOMMENDED HOLE LAYOUT FOR
.070/(1.78) MAX. THICK P. C. BOARD

PART NO.	ENG. NO.	HOUSING MAT'L. (SEE NOTE 1)	PLATING (SEE NOTE 2)
39-30-1039	5566-03A3	"BLANK"	"BLANK"
39-30-2033	-03A3GS2	↑	GS2
39-30-2031	-03A3GS	↑	GS
39-30-5037	-03A3S	↓	S
46999-0792	-03A3MS	"BLANK"	MS
46999-0680	-03A15GS-130	130	GS
46999-0685	-03A15MS-130	130	MS
39-30-2030	-03A3-210	210	"BLANK"
39-30-2034	-03A3GS2-210	↑	GS2
39-30-2032	-03A3GS-210	↑	GS
39-30-5038	-03A3S-210	↓	S
46999-0793	-03A3MS-210	210	MS
46999-0563	5566-03A3MS-400	400	MS

LEGEND



THIS DRAWING CONTAINS INFORMATION THAT IS PROPRIETARY TO MOLEX ELECTRONIC TECHNOLOGIES, LLC AND SHOULD NOT BE USED WITHOUT WRITTEN PERMISSION									
DIMENSION UNITS IN/MM		SCALE 4:1		CURRENT REV DESC: MIGRATED				molex	
GENERAL TOLERANCES (UNLESS SPECIFIED)				EC NO: 600618					
4 PLACES	±	MM	INCH	DRWN: JBAUMERT		2018/07/30		MINIFIT JR VERT HDR ASSY W/ PEGS SR	
3 PLACES	±			CHK'D: DSTEIER		2018/12/07			
2 PLACES	±	0.25	± 0.02	APPR: FSMITH		2019/01/03		PRODUCT CUSTOMER DRAWING	
1 PLACE	±	0.5	±	INITIAL REVISION:				DOCUMENT NUMBER	
0 PLACES	±			DRWN: GEP		1990/06/07		55660330-SD	
		ANGULAR TOL	± 0.5 °	APPR: FSMITH		2012/09/05		DOC TYPE DOC PART REVISION	
DRAFT WHERE APPLICABLE MUST REMAIN WITHIN DIMENSIONS		THIRD ANGLE PROJECTION		DRAWING		SERIES		MATERIAL NUMBER CUSTOMER SHEET NUMBER	
		C-SIZE		5566		SEE TABLE		1 OF 1	

THIS DRAWING REPLACES SDA-5566-03*3*