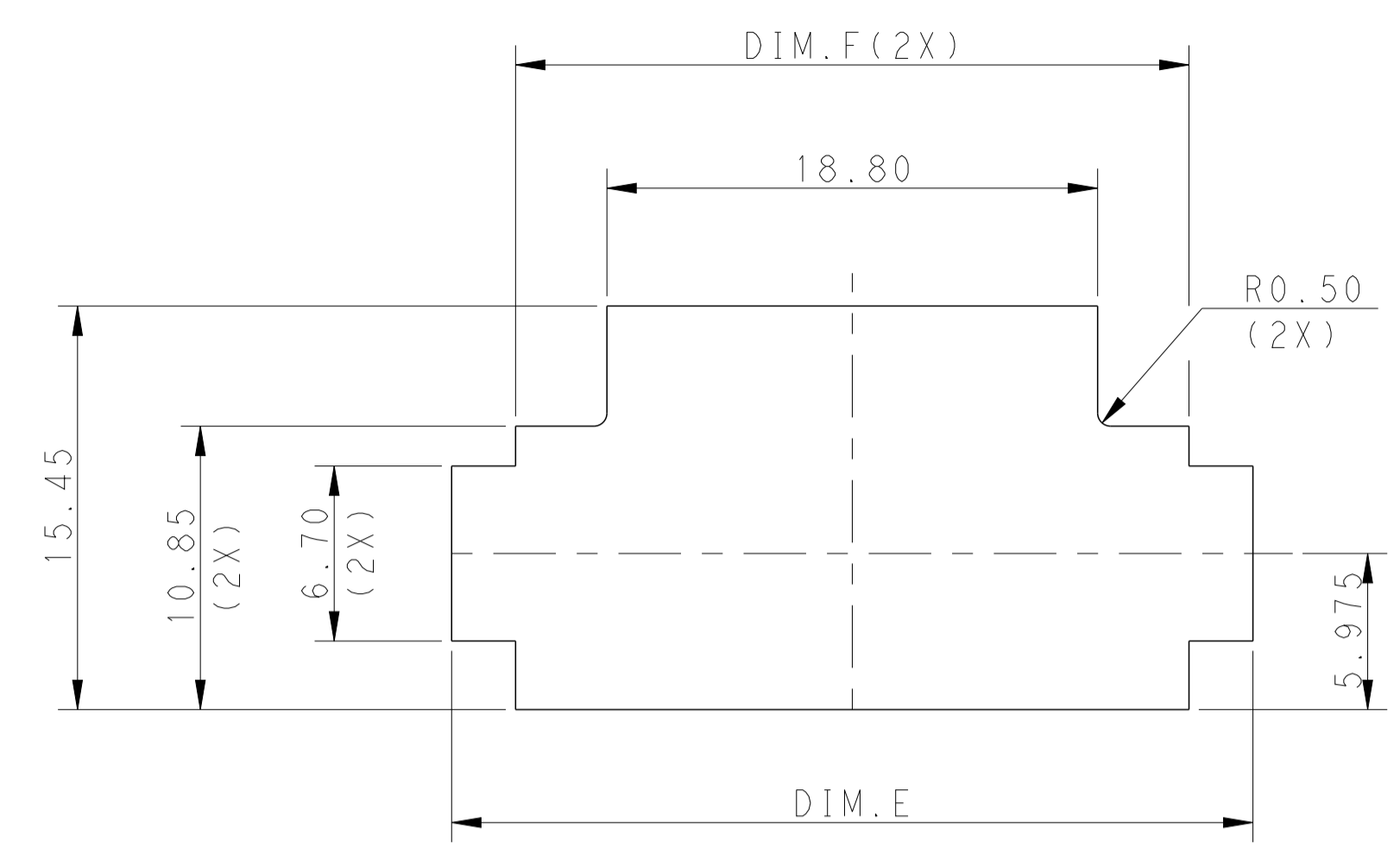
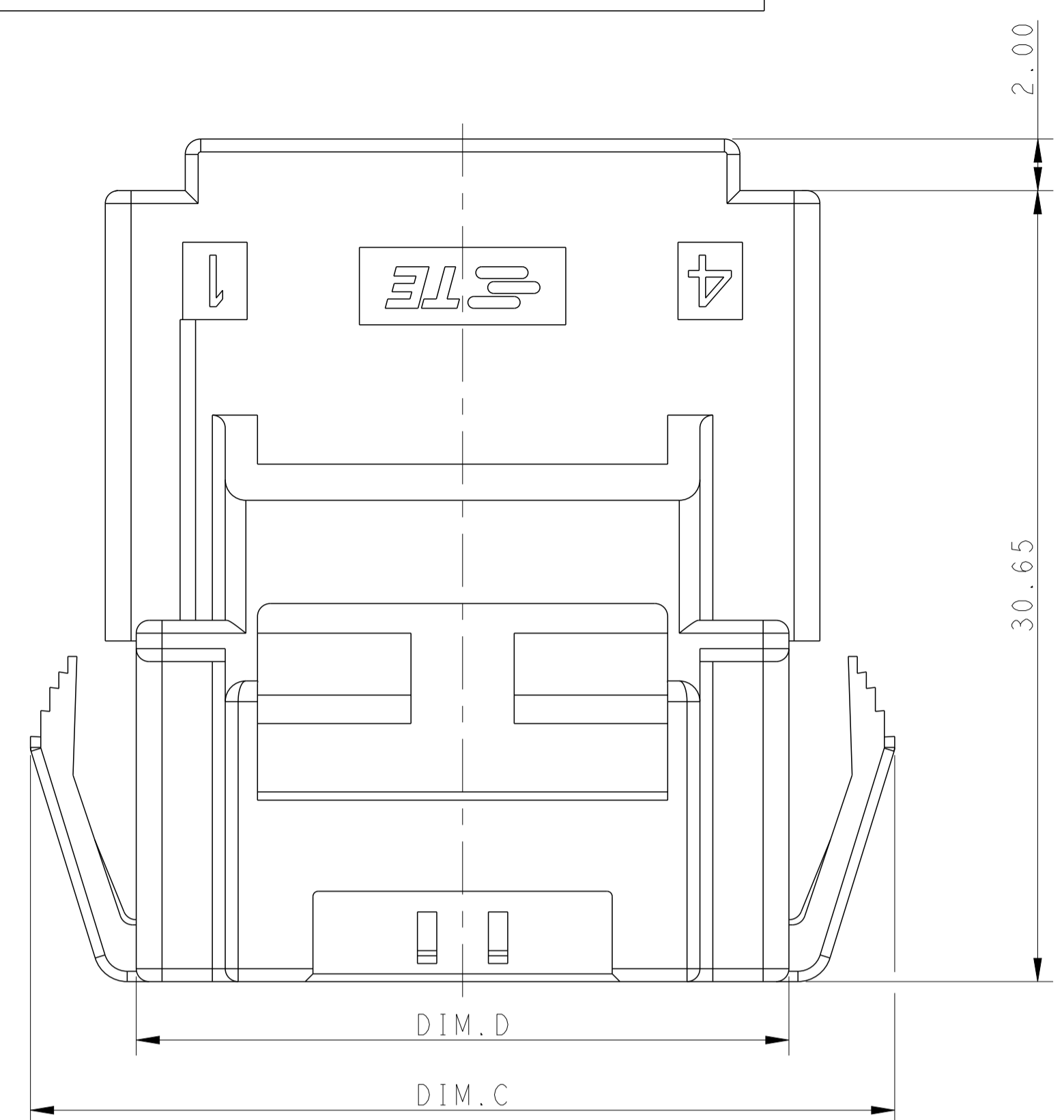
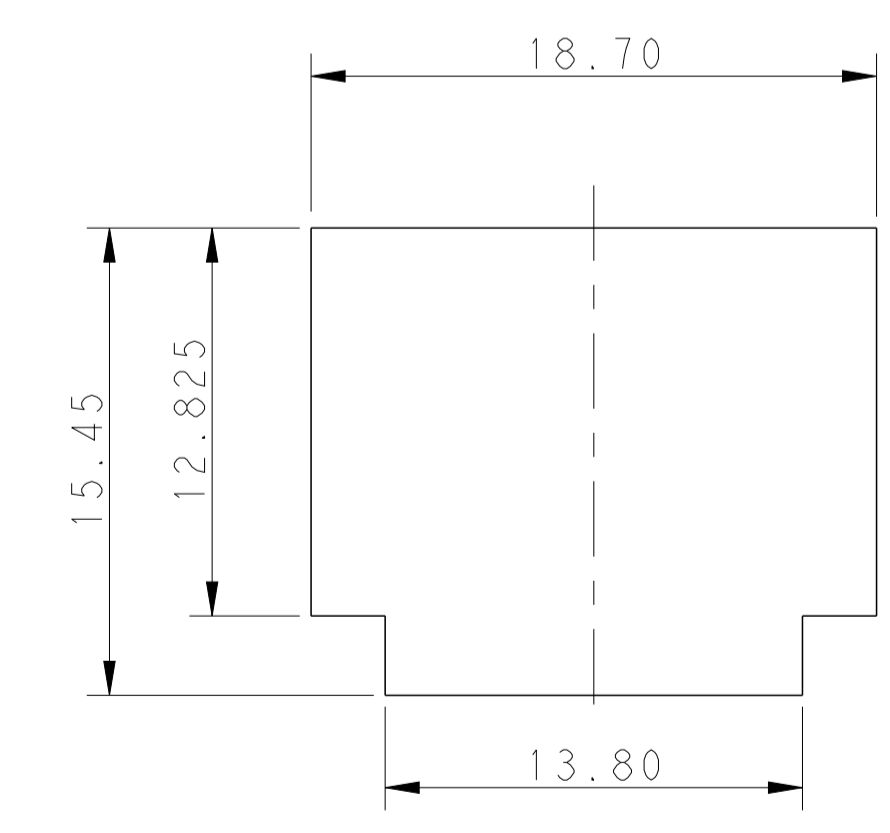
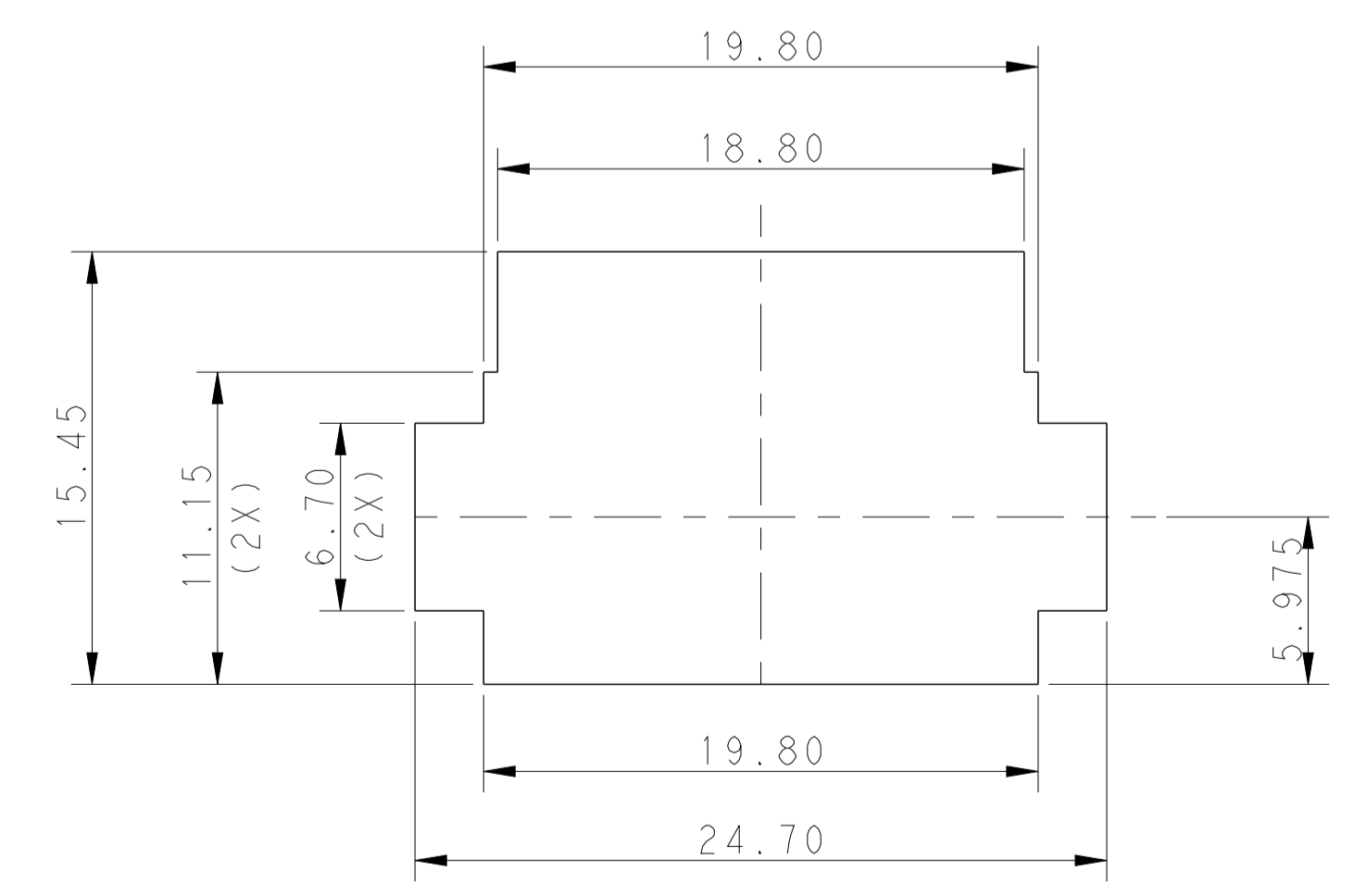
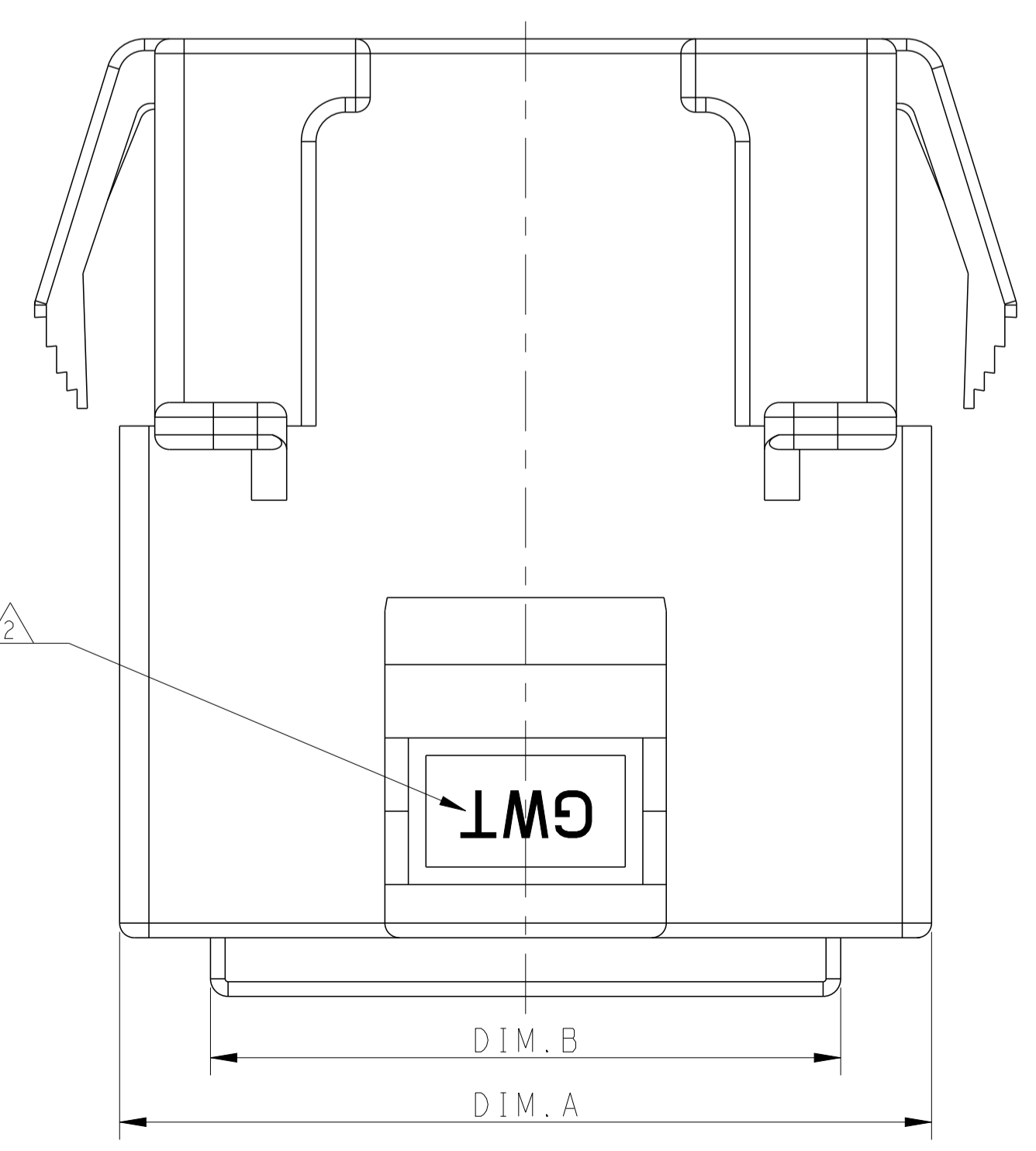
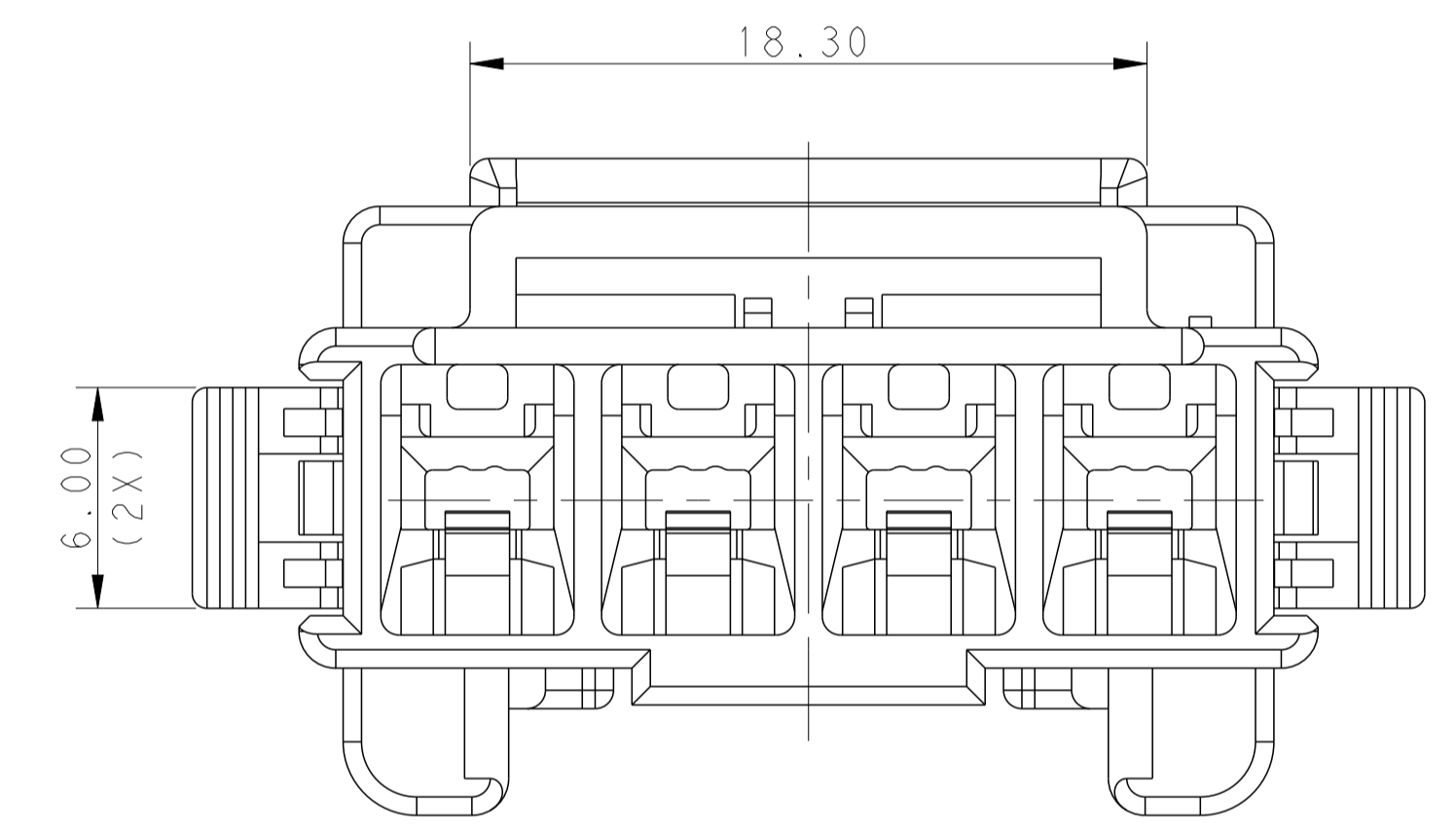
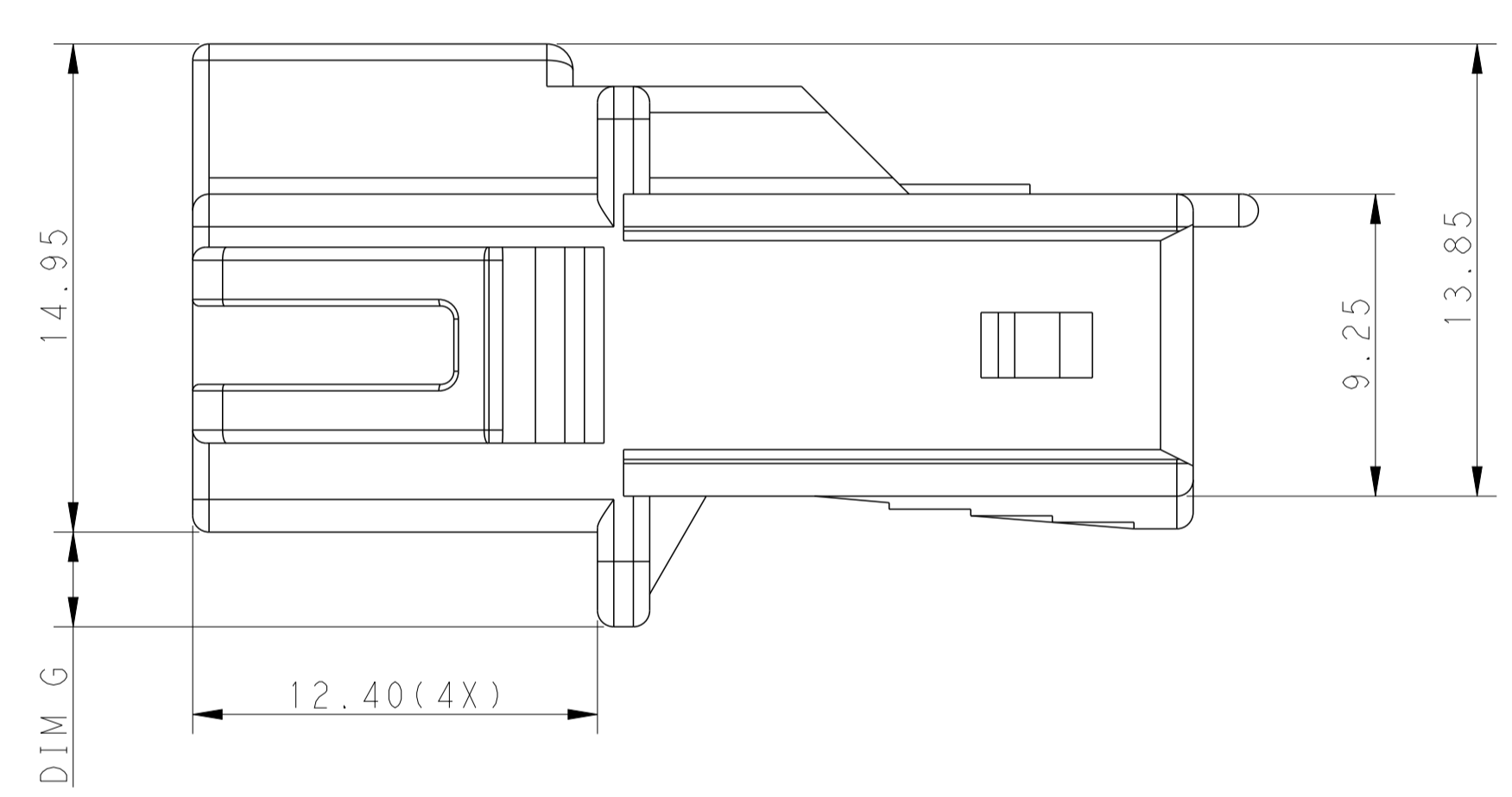
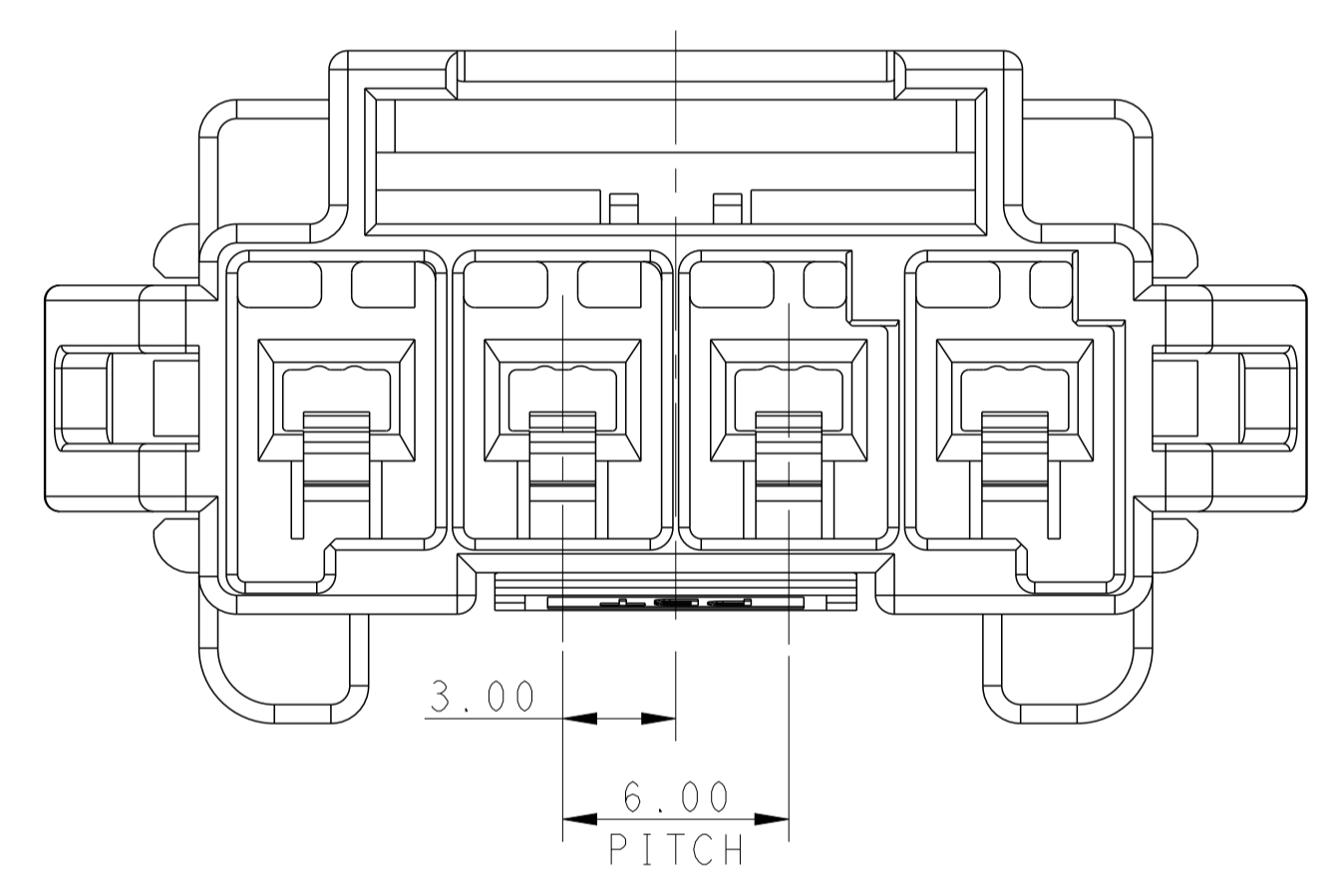


| REVISIONS |     |                           |           |       |
|-----------|-----|---------------------------|-----------|-------|
| P         | LTM | DESCRIPTION               | DATE      | APVD  |
| C         |     | REVISED PER ECR-16-003314 | 18JUL2016 | BW GJ |



- △ MATERIAL:  
 LEVEL A: PA6 GLASS FILLED, COMPLY WITH GLOW WIRE REQUIREMENTS FOR PARTS OF NON-METALLIC MATERIAL SUPPORTING A CURRENT-CARRYING CONNECTION DETAILED IN IEC 60335-1, SECTION 30 (GWT), UL 94V-0  
 LEVEL B: PBT GLASS FILLED, HOT WIRE IGNITION (HWI) VERSION ARE MOLDED IN A RESIN THAT COMPLIES WITH TE HOT WIRE IGNITION TEST 109-32026 AND ARE RECOMMENDED FOR USE WITH HWI HOUSINGS THAT ALSO COMPLY, UL 94V-0
- △ MATERIAL MARK:  
 LEVEL A: GWT, LEVEL B: HWT
- APPLICABLE CONTACT P/N  
 TAB CONTACT: 1971238/1971780/1971782/1971784/1971786/1971788-\*, 2238067-\*
  - MATING CONN, P/N  
 PLUG HSG: \*-2232265-\*,  
 TPA (LOCK PLATE): \*-1971777-\*
  - RECOMMENDED PANEL THICKNESS: 1.0~2.0mm

RECOMMENDED PANEL OPENING DIMENSIONS FOR CAP HOUSING 1\*5 AND 1\*4 POSITIONS (TOLERANCE: ±0.15mm)



RECOMMENDED PANEL OPENING DIMENSIONS FOR CAP HOUSING 1\*3 POSITION (TOLERANCE: ±0.15mm)

RECOMMENDED PANEL OPENING DIMENSIONS FOR CAP HOUSING 1\*2 POSITION (TOLERANCE: ±0.15mm)

| POS | Dim. A | Dim. B | Dim. C | Dim. D | Dim. E | Dim. F | Dim. G |
|-----|--------|--------|--------|--------|--------|--------|--------|
| 1*5 | 33.70  | 27.50  | 39.5   | 31.30  | 36.70  | 31.80  | 2.9    |
| 1*4 | 27.70  | 21.50  | 33.5   | 25.30  | 30.70  | 25.80  | 2.9    |
| 1*3 | 21.70  | 15.50  | 27.5   | 19.30  |        |        | 2.5    |
| 1*2 | 15.70  | 9.50   | 21.5   | 13.30  |        |        | 1.1    |

THIS DRAWING IS A CONTROLLED DOCUMENT.

|             |                                        |                 |                 |
|-------------|----------------------------------------|-----------------|-----------------|
| DIMENSIONS: | TOLERANCES UNLESS OTHERWISE SPECIFIED: | DATE: 26MAR2013 | CHK: TOMMY WU   |
| mm          | 0 PLC ±0.35                            | DATE: 26MAR2013 | CHK: HAPYE WU   |
|             | 1 PLC ±0.25                            | DATE: 26MAR2013 | CHK: YUHONG MAO |
|             | 3 PLC ±0.20                            | DATE: 26MAR2013 | CHK: HAPYE WU   |
|             | 4 PLC ±0.15                            | DATE: 26MAR2013 | CHK: HAPYE WU   |
|             | ANGLES ±0.1                            | DATE: 26MAR2013 | CHK: HAPYE WU   |
|             | FINISH                                 | DATE: 26MAR2013 | CHK: HAPYE WU   |

MATERIAL: △ △

Customer Drawing

TE Connectivity

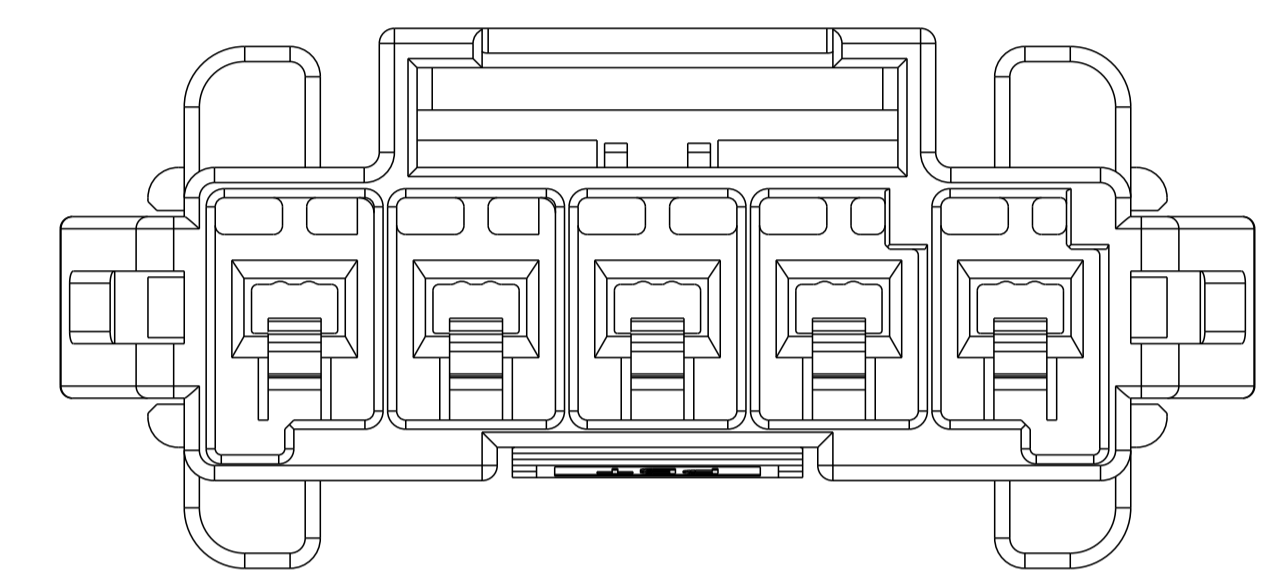
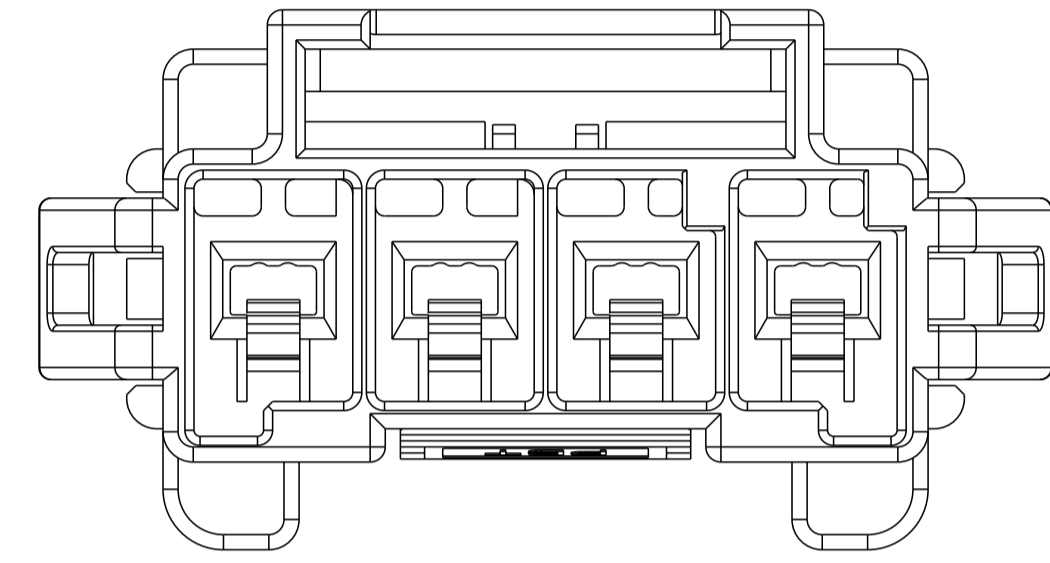
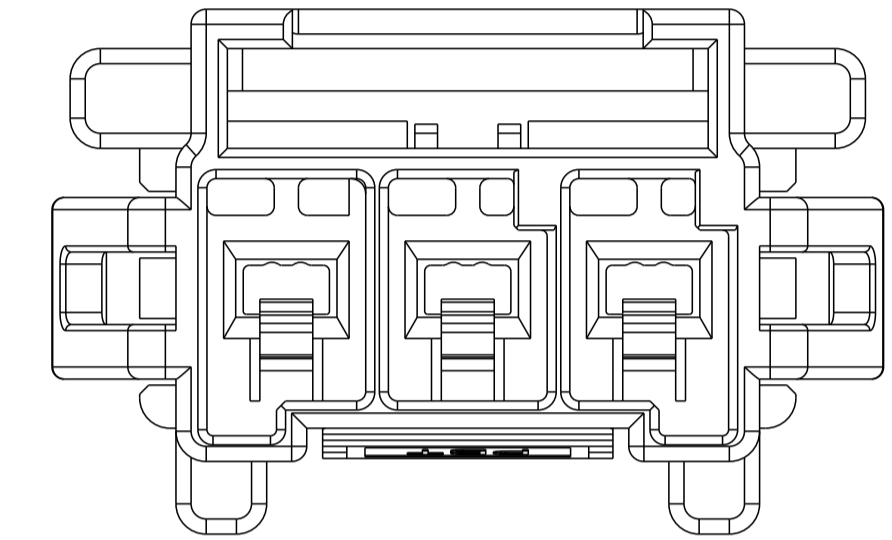
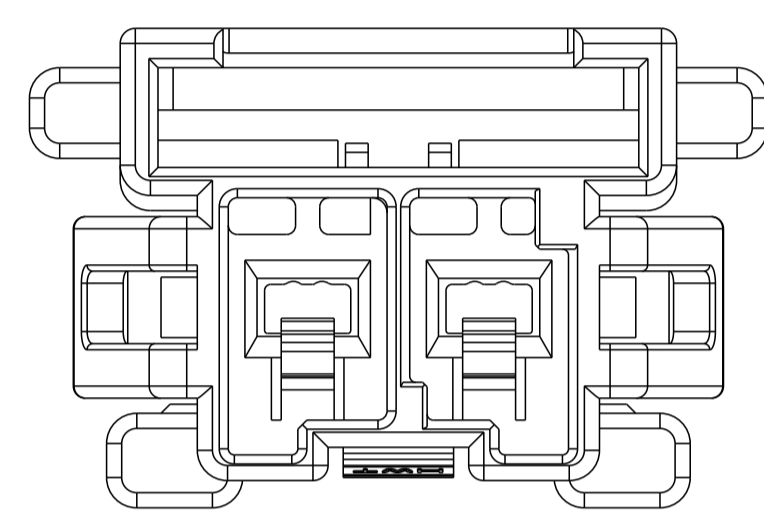
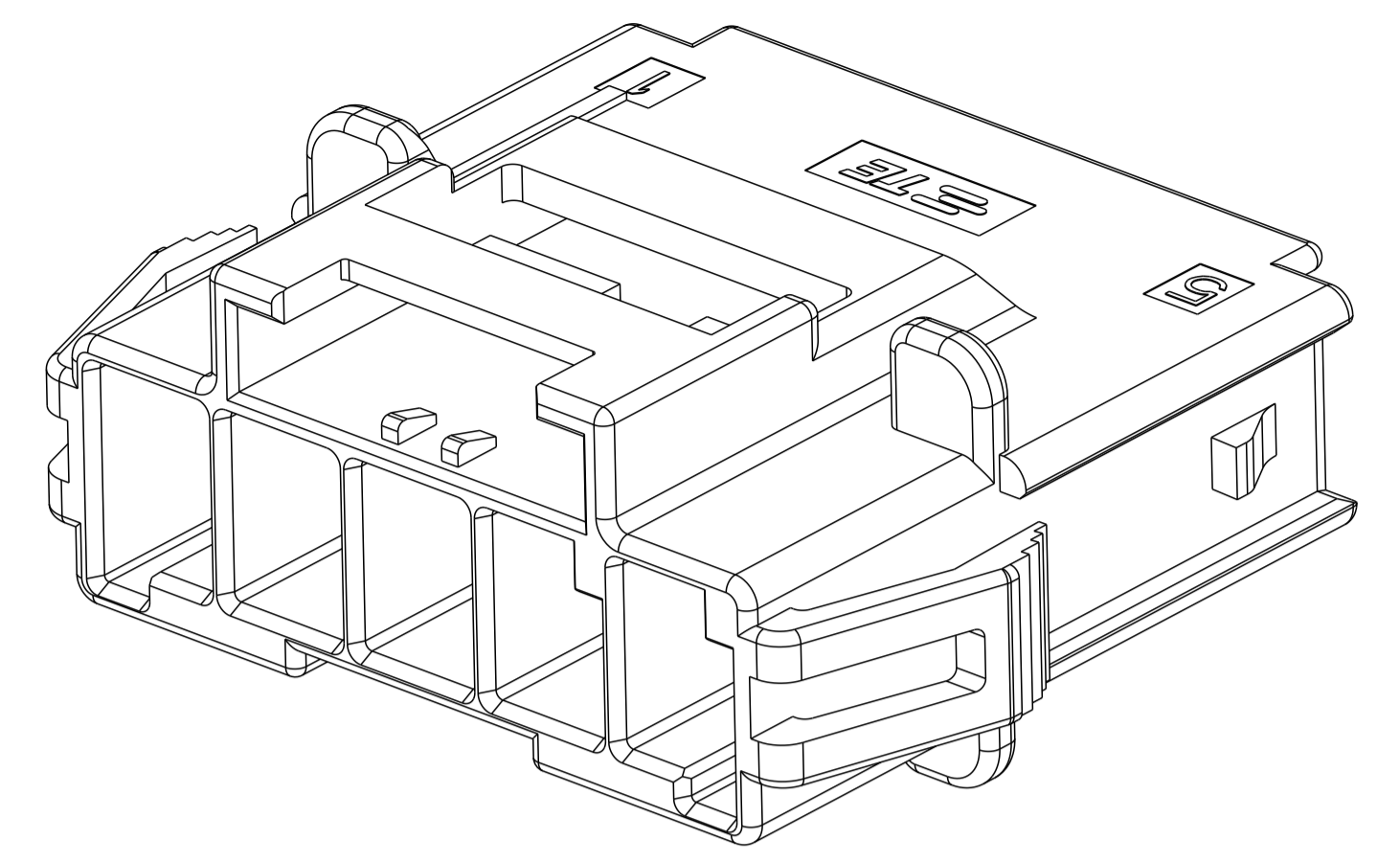
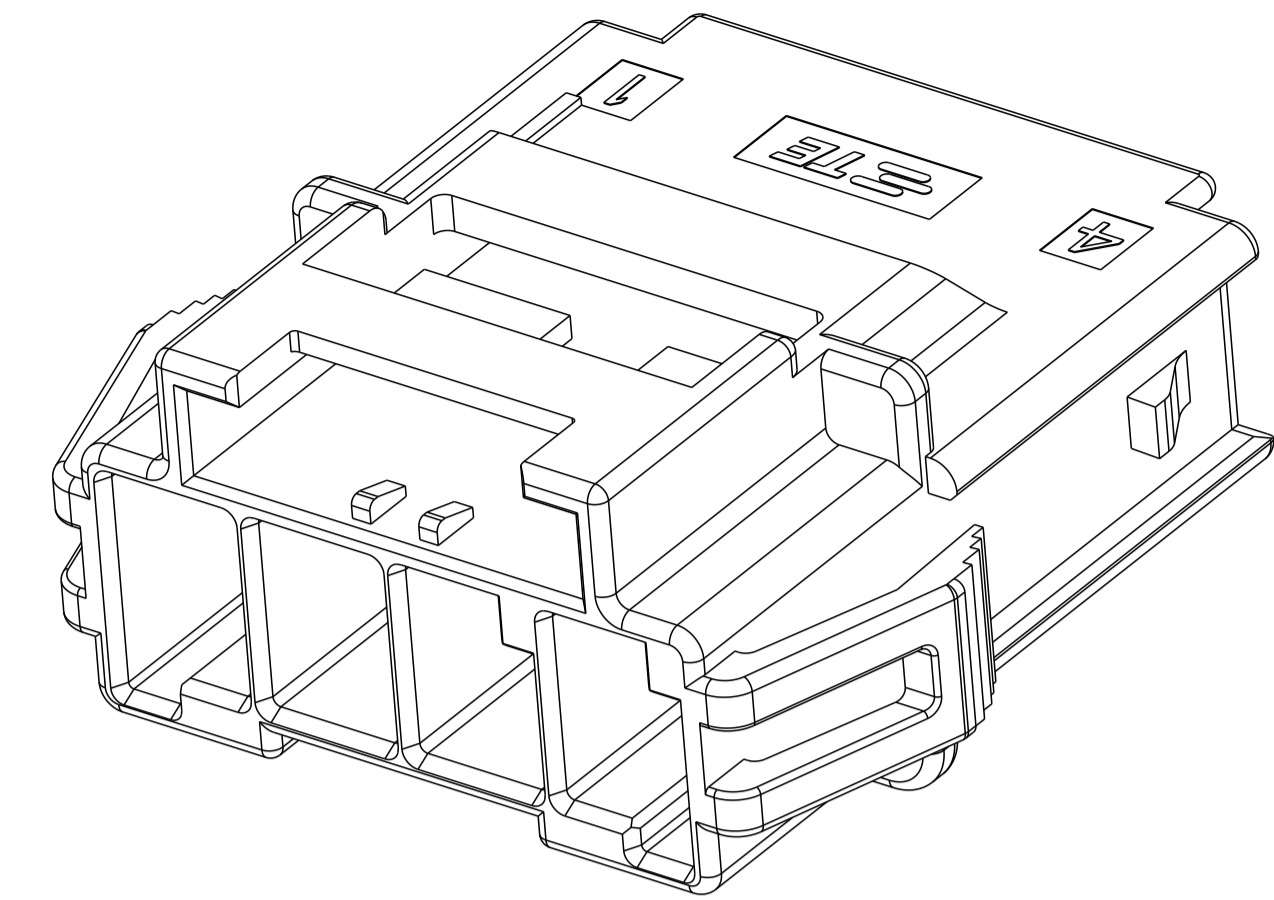
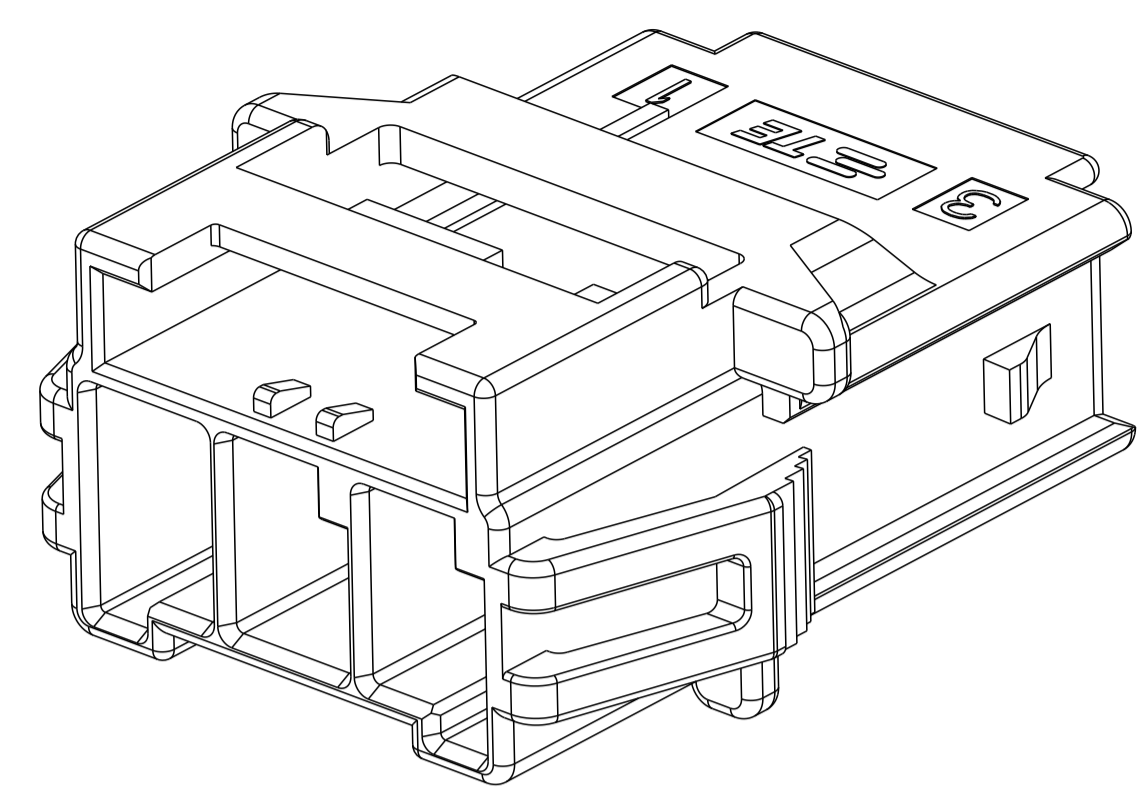
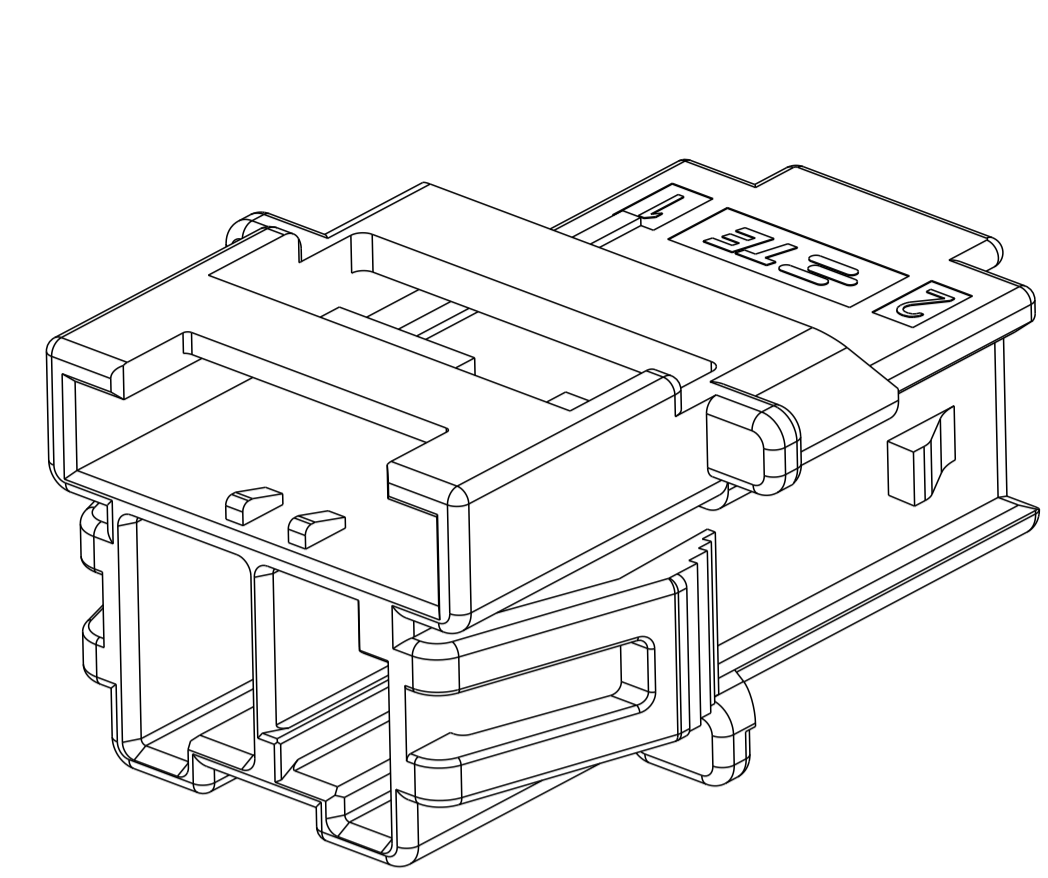
NAME: CAP HOUSING, PANEL MOUNT, SINGLE ROW POWER TRIPLE LOCK

SIZE: A100779 C=2232263

RESTRICTED TO: -

SCALE: - SHEET 1 OF 2 REV C

| REVISIONS |     |             |      |      |
|-----------|-----|-------------|------|------|
| P.        | LTN | DESCRIPTION | DATE | APVD |
| -         | -   | SEE SHEET 1 | -    | -    |

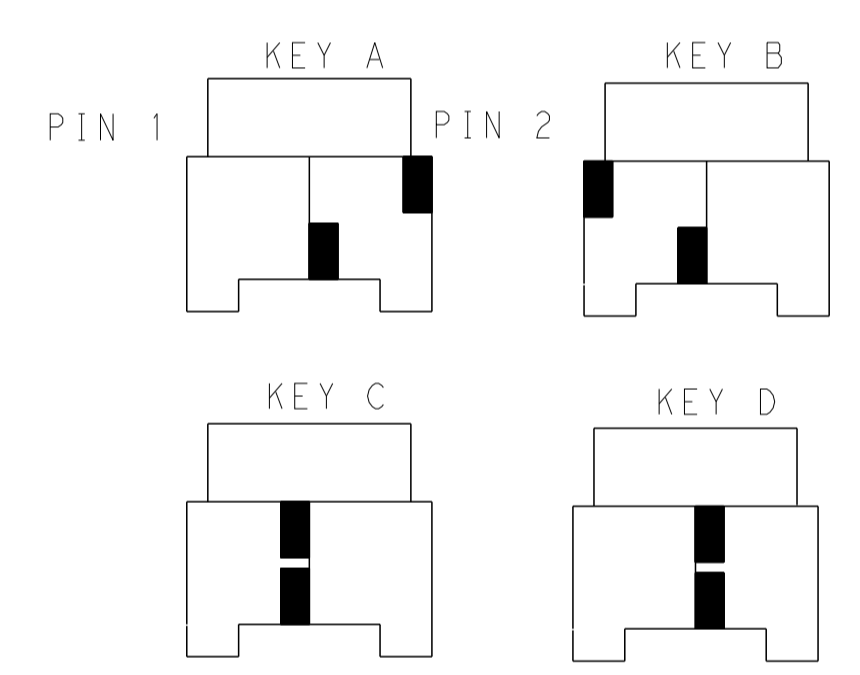


1\*2 POSITIONS

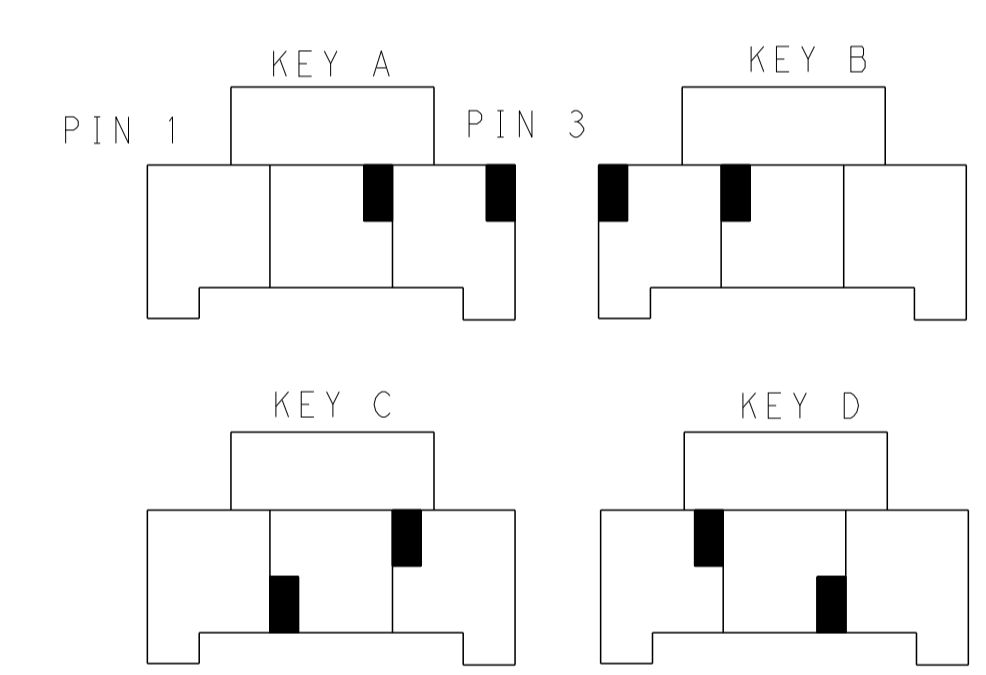
1\*3 POSITIONS

1\*4 POSITIONS

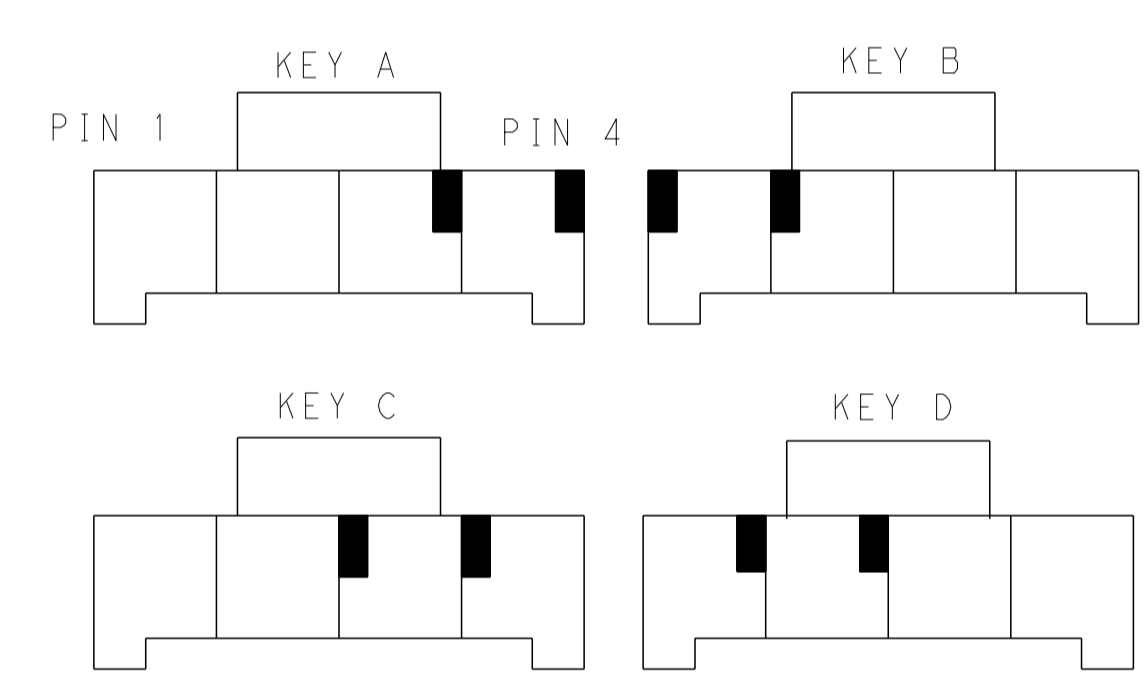
1\*5 POSITIONS



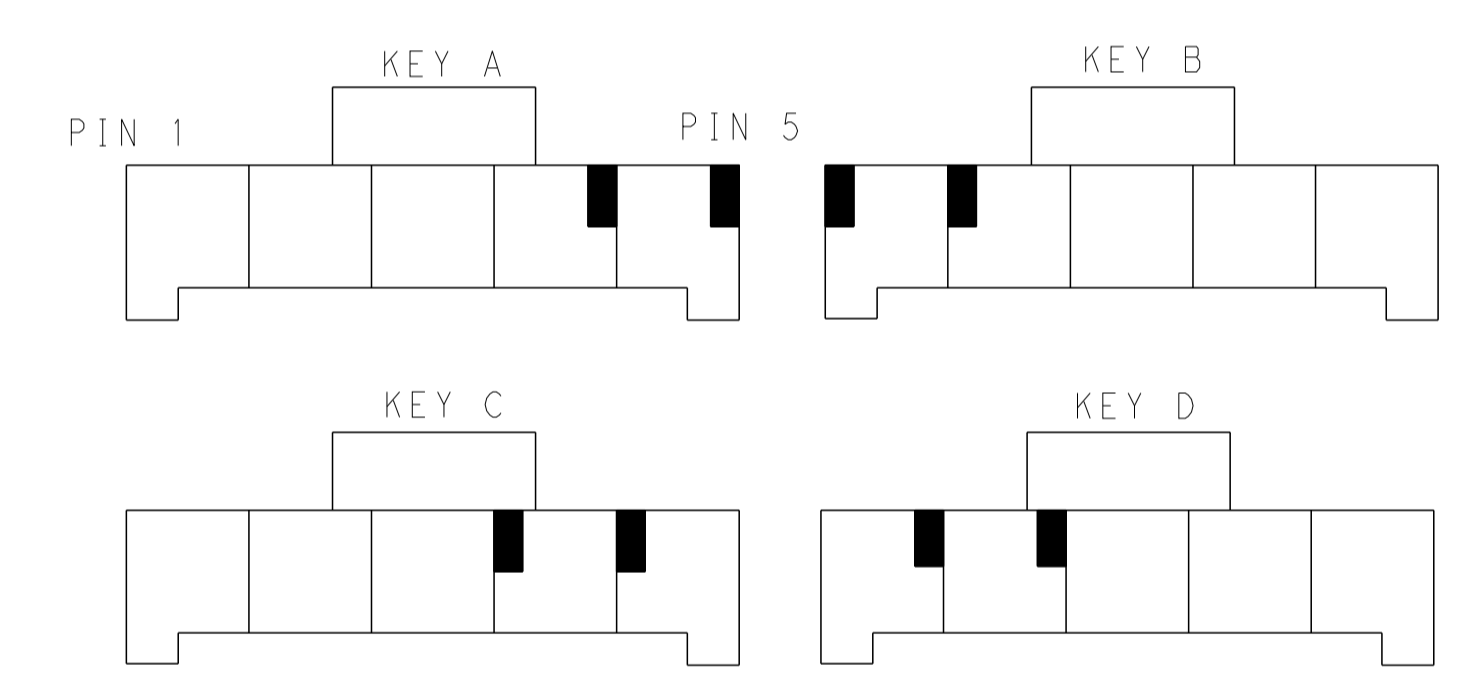
KEYING FOR 1\*2 POS.



KEYING FOR 1\*3 POS.



KEYING FOR 1\*4 POS.



KEYING FOR 1\*5 POS.

| POS. | MATERIAL | COLOR     | KEY   | P/N         |
|------|----------|-----------|-------|-------------|
| 1*5  | LEVEL A  | DARK GREY | KEY A | 5-2232263-7 |
|      |          | BROWN     | KEY B | 6-2232263-7 |
|      |          | GREEN     | KEY C | 7-2232263-7 |
|      |          | ORANGE    | KEY D | 8-2232263-7 |
| 1*4  | LEVEL B  | BLACK     | KEY A | 1-2232263-3 |
|      |          | DARK GREY | KEY A | 5-2232263-4 |
|      |          | BROWN     | KEY B | 6-2232263-4 |
|      |          | GREEN     | KEY C | 7-2232263-4 |
| 1*4  | LEVEL A  | ORANGE    | KEY D | 8-2232263-4 |
|      |          | BLACK     | KEY A | 1-2232263-2 |
|      |          | DARK GREY | KEY A | 5-2232263-3 |
|      |          | BROWN     | KEY B | 6-2232263-3 |
| 1*3  | LEVEL A  | GREEN     | KEY C | 7-2232263-3 |
|      |          | ORANGE    | KEY D | 8-2232263-3 |
|      |          | DARK GREY | KEY A | 5-2232263-2 |
|      |          | BROWN     | KEY B | 6-2232263-2 |
| 1*2  | LEVEL A  | GREEN     | KEY C | 7-2232263-2 |
|      |          | ORANGE    | KEY D | 8-2232263-2 |
|      |          | NATURAL   | KEY B | 2-2232263-1 |
|      |          | BLACK     | KEY A | 1-2232263-1 |
| 1*2  | LEVEL B  | BLACK     | KEY A | 1-2232263-1 |
|      |          |           |       |             |

|                                                                                                                                    |  |                           |                                                             |
|------------------------------------------------------------------------------------------------------------------------------------|--|---------------------------|-------------------------------------------------------------|
| THIS DRAWING IS A CONTROLLED DOCUMENT.                                                                                             |  | OWN TOMMY WU 26MAR2013    | TE Connectivity                                             |
| DIMENSIONS: mm                                                                                                                     |  | CHK HAPYE WU 26MAR2013    |                                                             |
| TOLERANCES UNLESS OTHERWISE SPECIFIED:<br>0 PLC ±0.35<br>1 PLC ±0.25<br>2 PLC ±0.20<br>3 PLC ±0.20<br>4 PLC ±0.20<br>ANGLES ° ±0.5 |  | APVD YUHONG MAO 26MAR2013 | NAME CAP HOUSING, PANEL MOUNT, SINGLE ROW POWER TRIPLE LOCK |
| MATERIAL                                                                                                                           |  | FINISH                    | PRODUCT SPEC 108-106118                                     |
|                                                                                                                                    |  | WEIGHT                    | APPLICATION SPEC 114-106118                                 |
|                                                                                                                                    |  | RESTRICTED TO             | SIZE CAGE CODE DRAWING NO A100779C=2232263                  |
| Customer Drawing                                                                                                                   |  | SCALE                     | SHEET 2 OF 2 REV C                                          |

# Mouser Electronics

Authorized Distributor

Click to View Pricing, Inventory, Delivery & Lifecycle Information:

[TE Connectivity:](#)

[5-2232263-7](#)