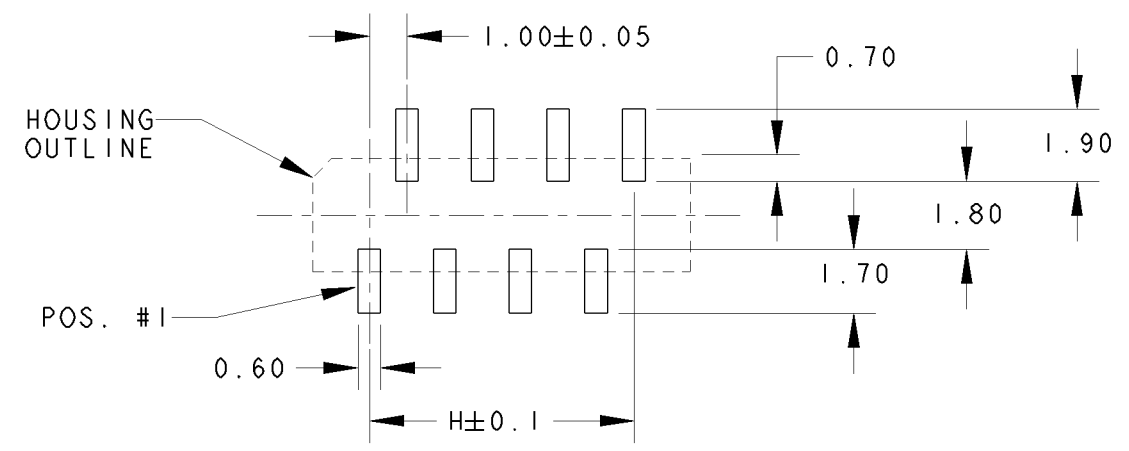
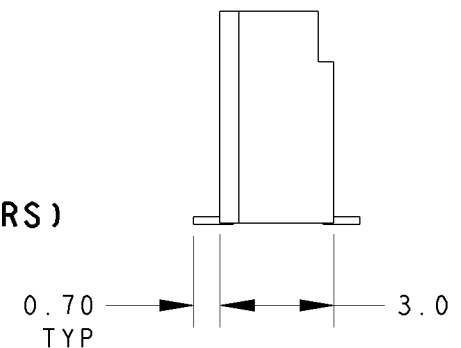
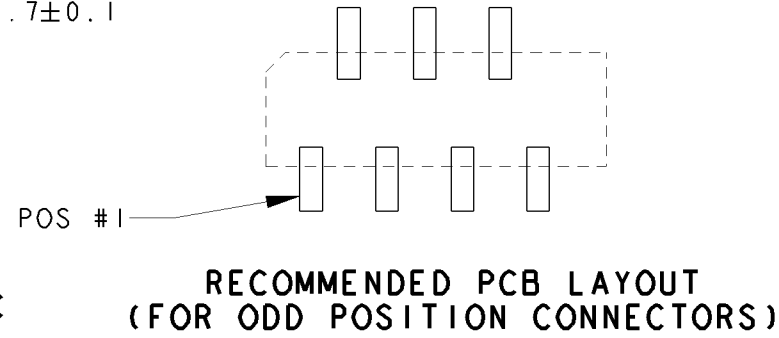
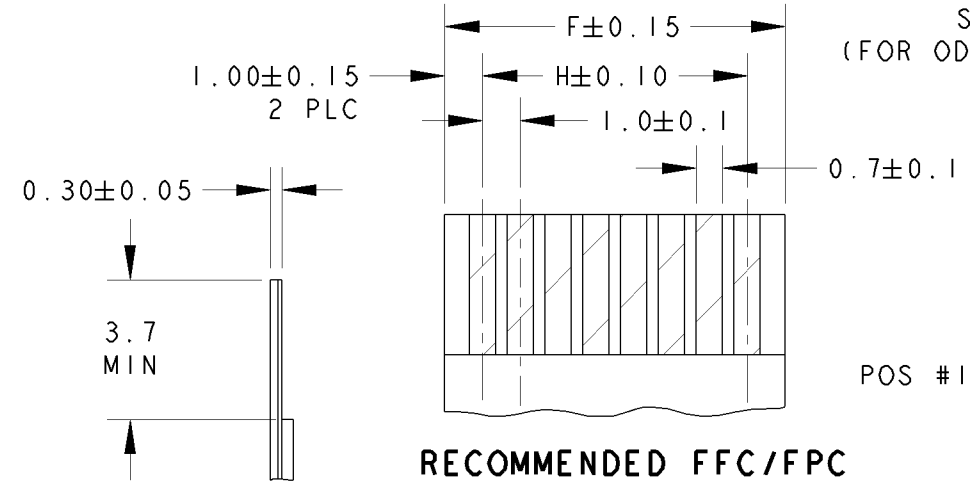
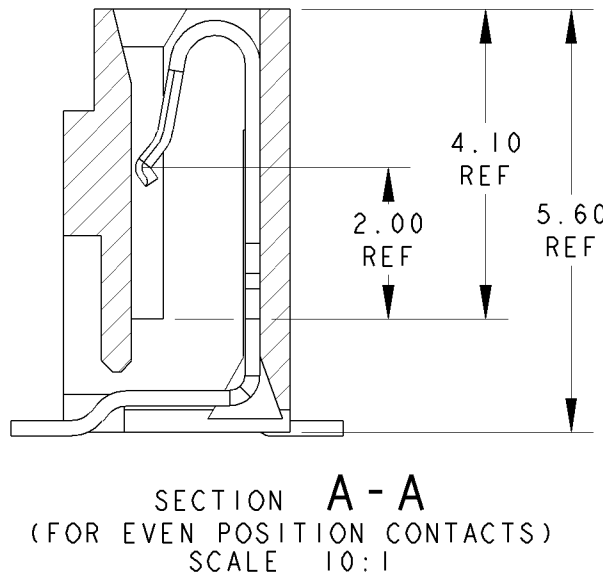
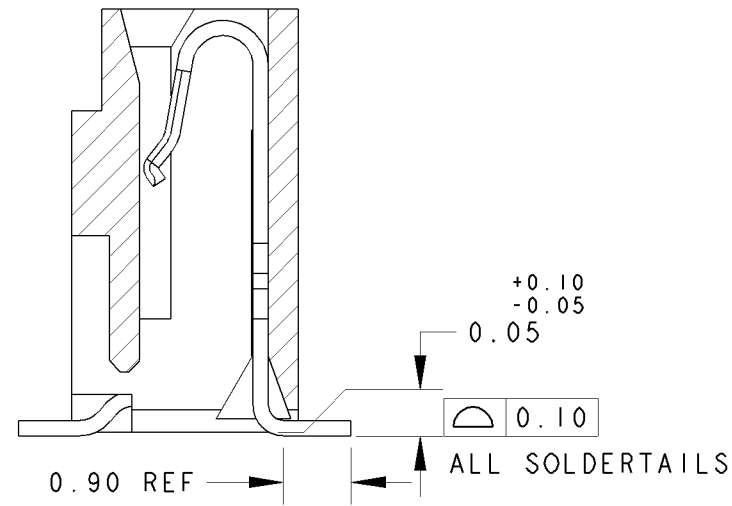
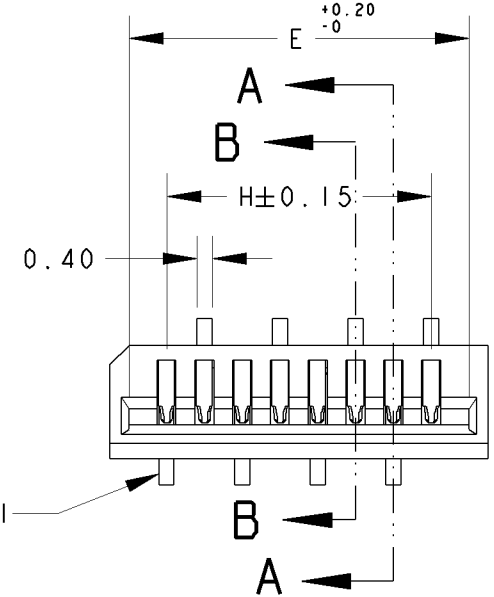
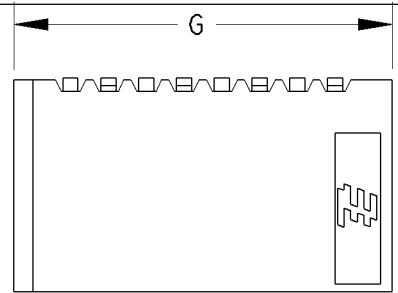


THIS DRAWING IS UNPUBLISHED. RELEASED FOR PUBLICATION .19
 BY - ALL RIGHTS RESERVED.

LOC		DIST		REVISIONS			
P	LTR	DESCRIPTION	DATE	DWN	APVD		
DY	-						
	J2	REVISED PER ECO-11-005139	19MAR11	RK	HMR		

NOTES:

- 1 MATERIAL:
HOUSING: GLASS FILLED HIGH TEMP NYLON, NATURAL COLOR (BEIGE)
CONTACT: PHOSPHOR BRONZE
- 2 FINISH: MATTE TIN OVER NICKEL UNDERPLATE
- 3. PACKAGING: TAPE & REEL (PACKAGING SPEC: 107-51189)



29.00	32.00	31.00	31.00	30	3-84982-0
28.00	31.00	30.00	30.00	29	2-△-9
27.00	30.00	29.00	29.00	28	2--8
26.00	29.00	28.00	28.00	27	2--7
25.00	28.00	27.00	27.00	26	2--6
24.00	27.00	26.00	26.00	25	2--5
23.00	26.00	25.00	25.00	24	2--4
22.00	25.00	24.00	24.00	23	2--3
21.00	24.00	23.00	23.00	22	2--2
20.00	23.00	22.00	22.00	21	2--1
19.00	22.00	21.00	21.00	20	2-84982-0
18.00	21.00	20.00	20.00	19	1-△-9
17.00	20.00	19.00	19.00	18	1--8
16.00	19.00	18.00	18.00	17	1--7
15.00	18.00	17.00	17.00	16	1--6
14.00	17.00	16.00	16.00	15	1--5
13.00	16.00	15.00	15.00	14	1--4
12.00	15.00	14.00	14.00	13	1--3
11.00	14.00	13.00	13.00	12	1--2
10.00	13.00	12.00	12.00	11	1--1
9.00	12.00	11.00	11.00	10	1-84982-0
8.00	11.00	10.00	10.00	9	△-9
7.00	10.00	9.00	9.00	8	-8
6.00	9.00	8.00	8.00	7	-7
5.00	8.00	7.00	7.00	6	-6
4.00	7.00	6.00	6.00	5	-5
3.00	6.00	5.00	5.00	4	84982-4
H	G	F	E	POS.	PART NO.

DWN WYLEE 19MAY2006		TE Connectivity	NAME ASSY, 1.00mm FFC CONN SMT, V, (NON-ZIF)		
CHK KTOGH 19MAY2006					
APVD SFLEONG 19MAY2006					
PRODUCT SPEC 108-51054					
APPLICATION SPEC -		SIZE A3	CAGE CODE 00779	DRAWING NO C-84982	
MATERIAL		WEIGHT -		SCALE 5:1 SHEET 1 OF 1 REV J2	
CUSTOMER DRAWING					

DIMENSIONS:	TOLERANCES UNLESS OTHERWISE SPECIFIED:
mm	
0 PLC	±0.3
1 PLC	±0.3
2 PLC	±0.3
3 PLC	±
4 PLC	±
ANGLES	±3°
FINISH	

Mouser Electronics

Authorized Distributor

Click to View Pricing, Inventory, Delivery & Lifecycle Information:

[TE Connectivity:](#)

[1-84982-5](#)