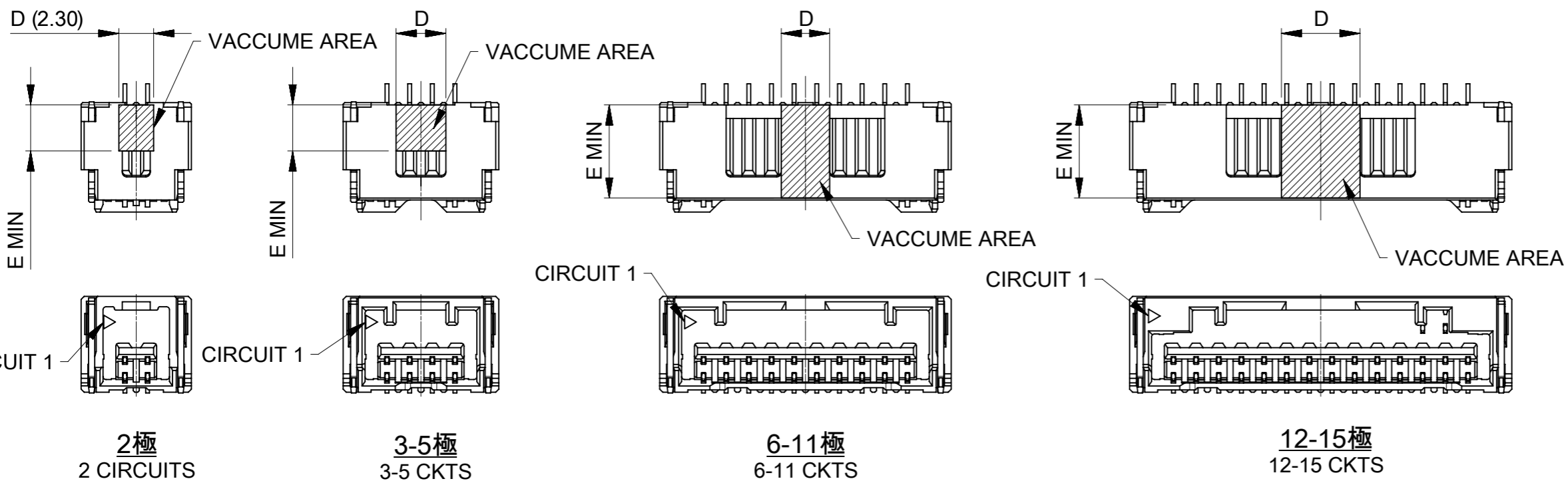


パターン非推奨エリア

パターンを引き回す際は、製品機能に影響がないことをご確認ください。
 PATTERN IS NOT RECCOMENDED ON THE HATCHED AREA.
 PLEASE CHECK NOT TO HAVE PROBLEM FOR PRODUCT FUNCTION
 WHEN SETTING PATTERN ON THE HATCHED AREA.

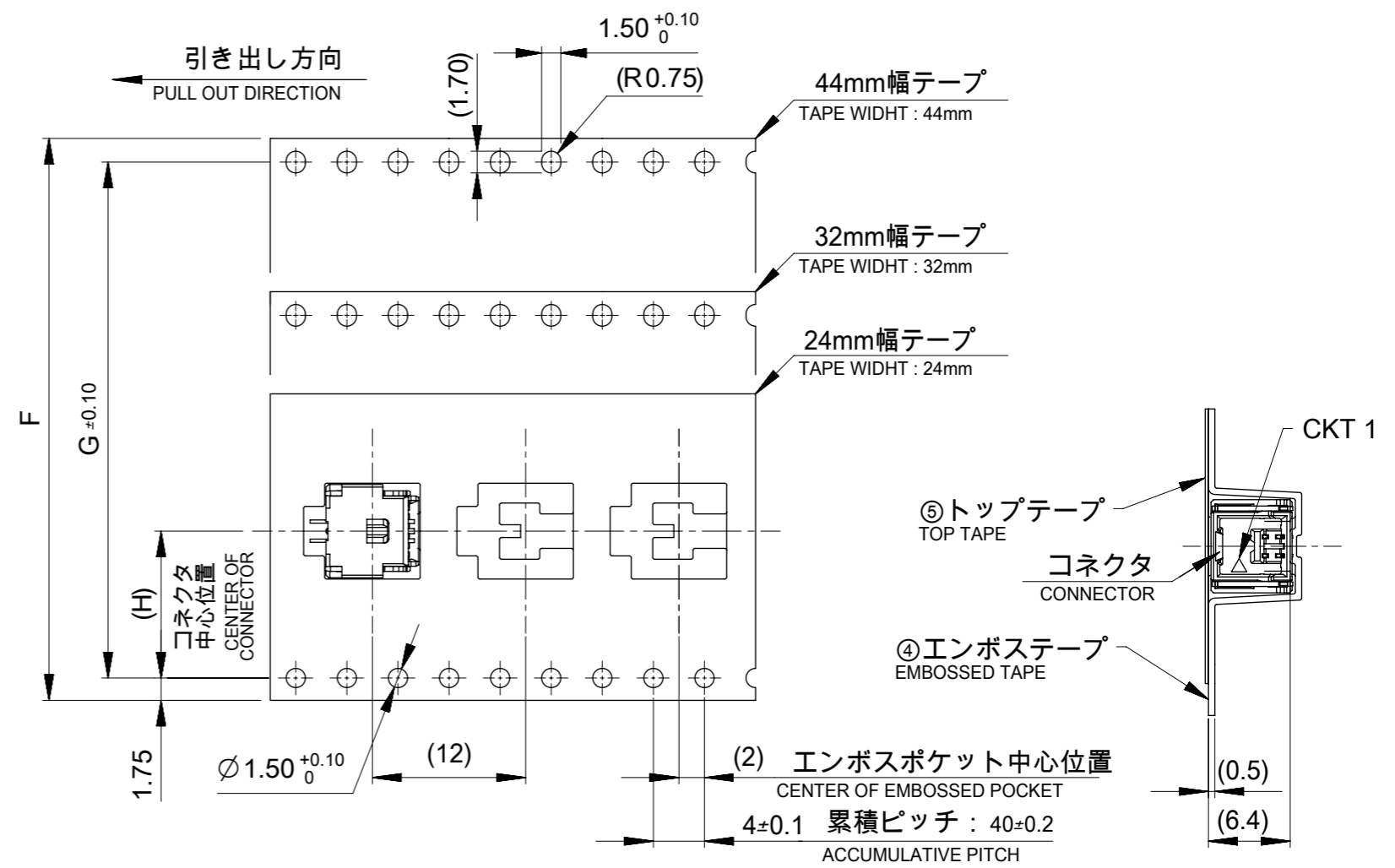
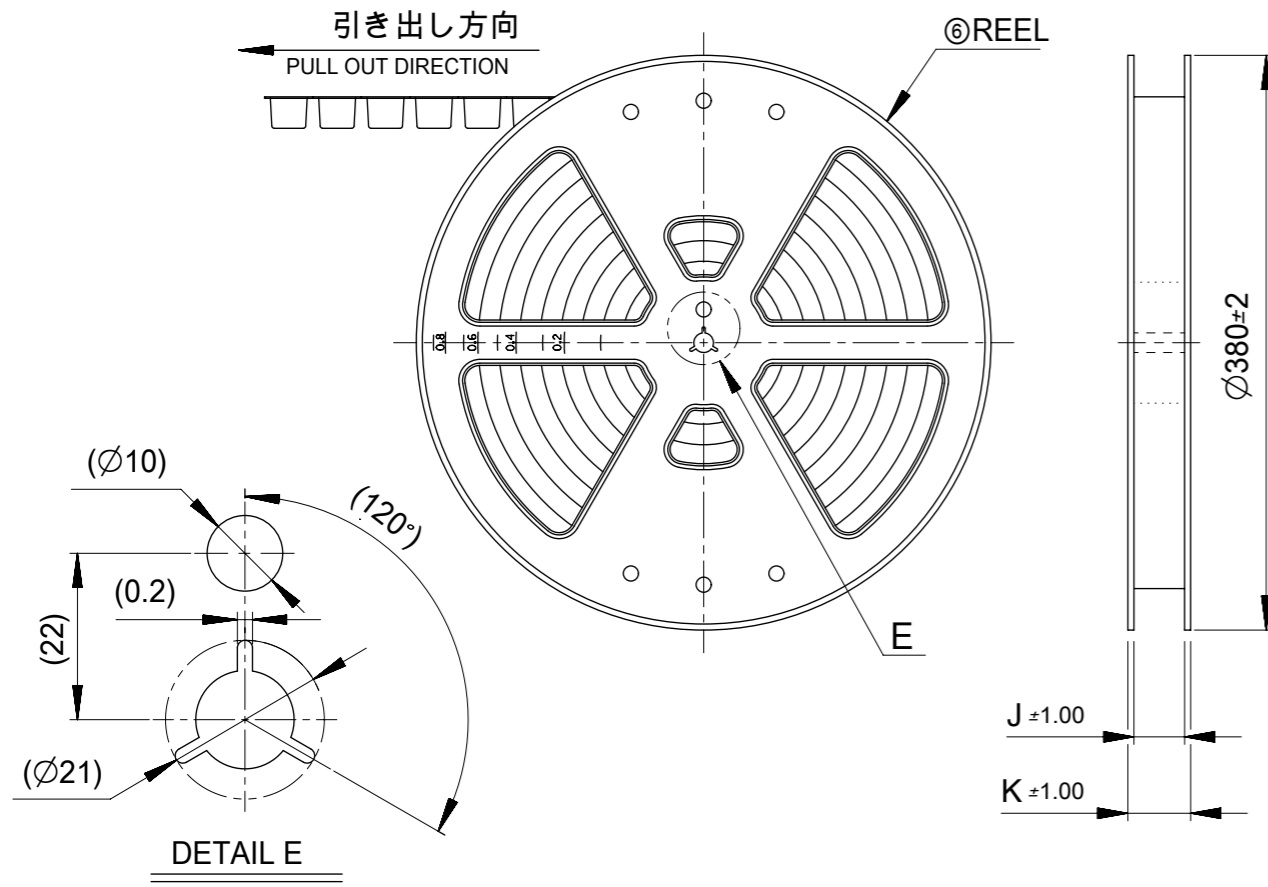
基板パターンレイアウト(参考)
 RECCOMENDED PCB PATTERN LAYOUT (REF)
 (参考:メタルマスク厚さ 0.10mm, マスク開口率100%)
 (REF:METAL STENCIL THICKNESS 0.10mm, APERTURE RATIO 100%)



ロック形状および吸着エリア
 LOCK SHAPE AND VACCUME AREA

6	5.2	15
		14
		13
		12
		11
		10
2.9	3.2	9
		8
		7
		6
2.9	3.6	5
		4
		3
		2
E	D	極数 CIRCUIT NO

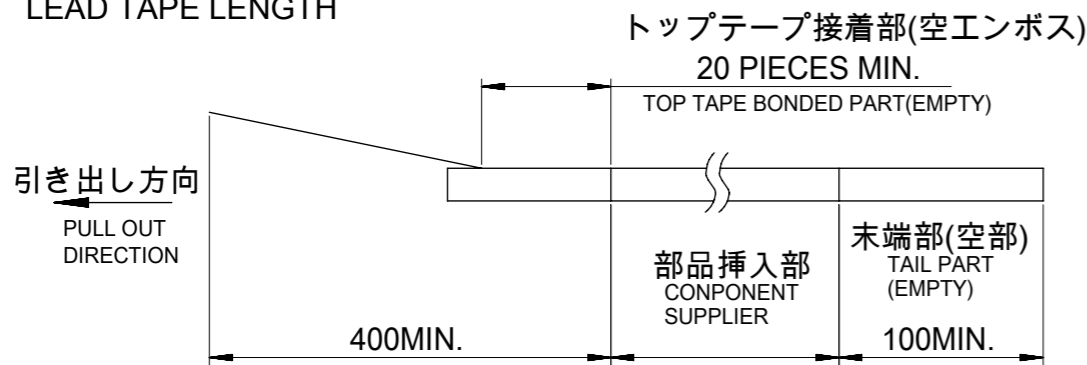
THIS DRAWING CONTAINS INFORMATION THAT IS PROPRIETARY TO MOLEX ELECTRONIC TECHNOLOGIES, LLC AND SHOULD NOT BE USED WITHOUT WRITTEN PERMISSION									
DIMENSION UNITS		SCALE		CURRENT REV DESC:					
mm		NTS		molex					
GENERAL TOLERANCES (UNLESS SPECIFIED)				CLIK-MATE 1.5					
ANGULAR TOL ± 3.0°				SINGLE ROW SMT R/A TYPE REC ASSY TIN PLATING					
4 PLACES ± 0.2				EC NO: 634759		2020/03/26			
3 PLACES ± 0.2				DRWN: MIKEDA01		2020/03/27			
2 PLACES ± 0.2				CHK'D: SAKIYAMA		2020/03/30			
1 PLACE ± 0.2				APPR: KOMURAKAMI		2020/03/30			
0 PLACES ± 0.2				PRODUCT CUSTOMER DRAWING					
DRAFT WHERE APPLICABLE MUST REMAIN WITHIN DIMENSIONS				INITIAL REVISION:		DOCUMENT NUMBER			
THIRD ANGLE PROJECTION		DRAWING		SERIES		MATERIAL NUMBER		CUSTOMER	
A3-SIZE		502585		502585		5025850000-SD		GENERAL	
SHEET NUMBER		2 OF 5		REVISON		DOC PART		REVISION	
DATE: 2018/01/11		DATE: 2018/01/11		DATE: 2018/01/11		DATE: 2018/01/11		DATE: 2018/01/11	



NOTES

5. 梱包数量 : 1,000個/リール
NUMBER OF CONNECTORS: 1,000 PIECES/REEL

6. リードテープ長さ
LEAD TAPE LENGTH



7. トップテープの剥離強度はJIS C0806-3に準拠
TOP TAPE PEELING FORCE IS DEFINED BY JIS C0806-3.

8. 本製品は乾燥剤入り、ハイバリア梱包による納入である
THIS PRODUCT IS DELIVERED IN A HIGH-BARRIER PACKAGE WITH DESICCANT

					15
					14
					13
				49.4 45.4 20.2 40.4	44±0.3
					12
					11
					10
				37.4 33.4 14.2 28.4	32±0.3
					9
					8
					7
					6
				29.4 25.4 11.5 -	24 ^{+0.3} _{-0.1}
					5
					4
					3
					2
	K	J	H	G	エンボステープ幅F WIDTH OF TAPE
					極数 CIRCUIT NO

番号 No.	部品 PART	材質 MATERIAL
④	エンボステープ EMBOSSSED TAPE	ポリスチレン(PS) POLYSTYLENE
⑤	トップテープ TOP TAPE	ポリエチレン、ポリエチレンテレフタレート POLYETHYLENE (PE), POLYETHYLENE TELEPHthalate(PET)
⑥	リール REEL	ポリスチレン (リサイクル材を含む) POLYSTYLENE (CONTAINED RECYCLED MATERIAL)

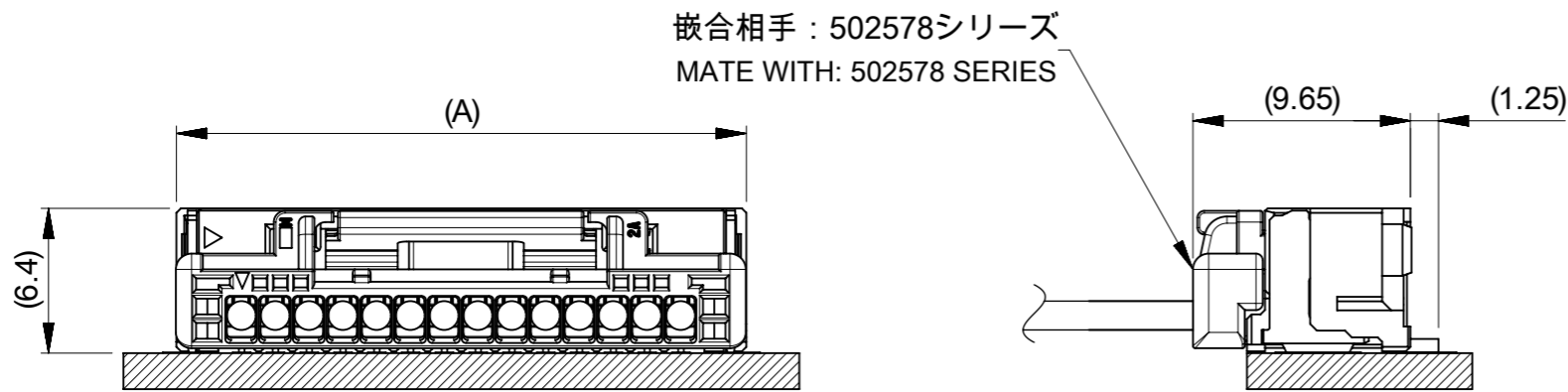
THIS DRAWING CONTAINS INFORMATION THAT IS PROPRIETARY TO MOLEX ELECTRONIC TECHNOLOGIES, LLC AND SHOULD NOT BE USED WITHOUT WRITTEN PERMISSION

DIMENSION UNITS mm	SCALE NTS	CURRENT REV DESC:		molex		
GENERAL TOLERANCES (UNLESS SPECIFIED)		EC NO: 634759		CLIK-MATE 1.5		
ANGULAR TOL	± 3.0°	DRWN: MIKEDA01	2020/03/26	SINGLE ROW SMT R/A TYPE REC ASSY TIN PLATING		
4 PLACES	± 0.2	CHK'D: SAKIYAMA	2020/03/27	PRODUCT CUSTOMER DRAWING		
3 PLACES	± 0.2	APPR: KOMURAKAMI	2020/03/30	DOCUMENT NUMBER		
2 PLACES	± 0.2	INITIAL REVISION:		5025850000-SD	DOC TYPE	DOC PART
1 PLACE	± 0.2	DRWN: MIKEDA01	2019/04/08	PSD	000	B
0 PLACES	± 0.2	APPR: KOMURAKAMI	2020/03/03	REVISION		
DRAFT WHERE APPLICABLE MUST REMAIN WITHIN DIMENSIONS		THIRD ANGLE PROJECTION	DRAWING	SERIES	MATERIAL NUMBER	CUSTOMER
			A3-SIZE	502585	502585**7*	GENERAL
						SHEET NUMBER
						3 OF 5

△ 3 適用製品及び各種仕様書
 APPLICABLE PRODUCTS AND VARIOUS SPECIFICATIONS

梱包仕様書 PACKAGING SPECIFICATION	PART NUMBER	DOCUMENT NUMBER
	502585 **7*	SPK-502585-001

適用嵌合相手 MATE WITH	HOUSING	TERMINAL (TIN PLATING)	
シリーズ番号 SERIES NUMBER		#24-28	#26-30
製品仕様書 PRODUCT SPECIFICATION	502578	502579 0000	503429 0000
アプリケーション仕様書 APPLICATION SPECIFICATION	5025780000-PS		
	AS-502578-001		



嵌合図
 MATED CONNECTORS

THIS DRAWING CONTAINS INFORMATION THAT IS PROPRIETARY TO MOLEX ELECTRONIC TECHNOLOGIES, LLC AND SHOULD NOT BE USED WITHOUT WRITTEN PERMISSION											
DIMENSION UNITS	SCALE	CURRENT REV DESC:					molex				
mm	NTS										
GENERAL TOLERANCES (UNLESS SPECIFIED)		EC NO: 634759					CLIK-MATE 1.5				
ANGULAR TOL	± 3.0 °	DRWN: MIKEDA01 2020/03/26					SINGLE ROW SMT R/A TYPE REC ASSY TIN PLATING				
4 PLACES	± 0.2	CHK'D: SAKIYAMA 2020/03/27					PRODUCT CUSTOMER DRAWING				
3 PLACES	± 0.2	APPR: KOMURAKAMI 2020/03/30					DOCUMENT NUMBER				
2 PLACES	± 0.2	INITIAL REVISION:					5025850000-SD		DOC TYPE	DOC PART	REVISION
1 PLACE	± 0.2	DRWN: MIKEDA01 2019/04/08					PSD		000	B	
0 PLACES	± 0.2	APPR: KOMURAKAMI 2020/03/03					MATERIAL NUMBER		CUSTOMER		SHEET NUMBER
DRAFT WHERE APPLICABLE MUST REMAIN WITHIN DIMENSIONS		THIRD ANGLE PROJECTION	DRAWING	SERIES	MATERIAL NUMBER	CUSTOMER		SHEET NUMBER			
			A3-SIZE	502585	502585**7*	GENERAL		4 OF 5			

4 製品一覧
PRODUCTS LIST

紫 VIOLET	橙 ORANGE	茶 BROWN	緑 GREEN	桃 PINK	青 BLUE	黄 YELLOW	赤 RED	黒 BLACK	ナチュラル(ベージュ) NATURAL(BEIGE)	HOUSING COLOR
502585 1579	502585 1578	502585 1577	502585 1576	502585 1575	502585 1574	502585 1573	502585 1572	502585 1571	502585 1570	15
502585 1479	502585 1478	502585 1477	502585 1476	502585 1475	502585 1474	502585 1473	502585 1472	502585 1471	502585 1470	14
502585 1379	502585 1378	502585 1377	502585 1376	502585 1375	502585 1374	502585 1373	502585 1372	502585 1371	502585 1370	13
502585 1279	502585 1278	502585 1277	502585 1276	502585 1275	502585 1274	502585 1273	502585 1272	502585 1271	502585 1270	12
502585 1179	502585 1178	502585 1177	502585 1176	502585 1175	502585 1174	502585 1173	502585 1172	502585 1171	502585 1170	11
502585 1079	502585 1078	502585 1077	502585 1076	502585 1075	502585 1074	502585 1073	502585 1072	502585 1071	502585 1070	10
502585 0979	502585 0978	502585 0977	502585 0976	502585 0975	502585 0974	502585 0973	502585 0972	502585 0971	502585 0970	9
502585 0879	502585 0878	502585 0877	502585 0876	502585 0875	502585 0874	502585 0873	502585 0872	502585 0871	502585 0870	8
502585 0779	502585 0778	502585 0777	502585 0776	502585 0775	502585 0774	502585 0773	502585 0772	502585 0771	502585 0770	7
502585 0679	502585 0678	502585 0677	502585 0676	502585 0675	502585 0674	502585 0673	502585 0672	502585 0671	502585 0670	6
502585 0579	502585 0578	502585 0577	502585 0576	502585 0575	502585 0574	502585 0573	502585 0572	502585 0571	502585 0570	5
502585 0479	502585 0478	502585 0477	502585 0476	502585 0475	502585 0474	502585 0473	502585 0472	502585 0471	502585 0470	4
502585 0379	502585 0378	502585 0377	502585 0376	502585 0375	502585 0374	502585 0373	502585 0372	502585 0371	502585 0370	3
502585 0279	502585 0278	502585 0277	502585 0276	502585 0275	502585 0274	502585 0273	502585 0272	502585 0271	502585 0270	2
オーダー番号 ORDER NO										極数 CIRCUIT NO

THIS DRAWING CONTAINS INFORMATION THAT IS PROPRIETARY TO MOLEX ELECTRONIC TECHNOLOGIES, LLC AND SHOULD NOT BE USED WITHOUT WRITTEN PERMISSION										
DIMENSION UNITS	SCALE	CURRENT REV DESC:						molex		
mm	NTS									
GENERAL TOLERANCES (UNLESS SPECIFIED)		EC NO: 634759						CLIK-MATE 1.5		
ANGULAR TOL	± 3.0 °	DRWN: MIKEDA01 2020/03/26						SINGLE ROW SMT R/A TYPE REC ASSY TIN PLATING		
4 PLACES	± 0.2	CHK'D: SAKIYAMA 2020/03/27						PRODUCT CUSTOMER DRAWING		
3 PLACES	± 0.2	APPR: KOMURAKAMI 2020/03/30						DOCUMENT NUMBER		
2 PLACES	± 0.2	INITIAL REVISION:						5025850000-SD		
1 PLACE	± 0.2	DRWN: MIKEDA01 2019/04/08						DOC TYPE	DOC PART	REVISION
0 PLACES	± 0.2	APPR: KOMURAKAMI 2020/03/03						PSD	000	B
DRAFT WHERE APPLICABLE MUST REMAIN WITHIN DIMENSIONS		THIRD ANGLE PROJECTION	DRAWING	SERIES	MATERIAL NUMBER	CUSTOMER		SHEET NUMBER		
			A3-SIZE	502585	502585**7*	GENERAL		5 OF 5		

DOCUMENT STATUS	P1	RELEASE DATE	2020/03/30	02:16:29
-----------------	----	--------------	------------	----------