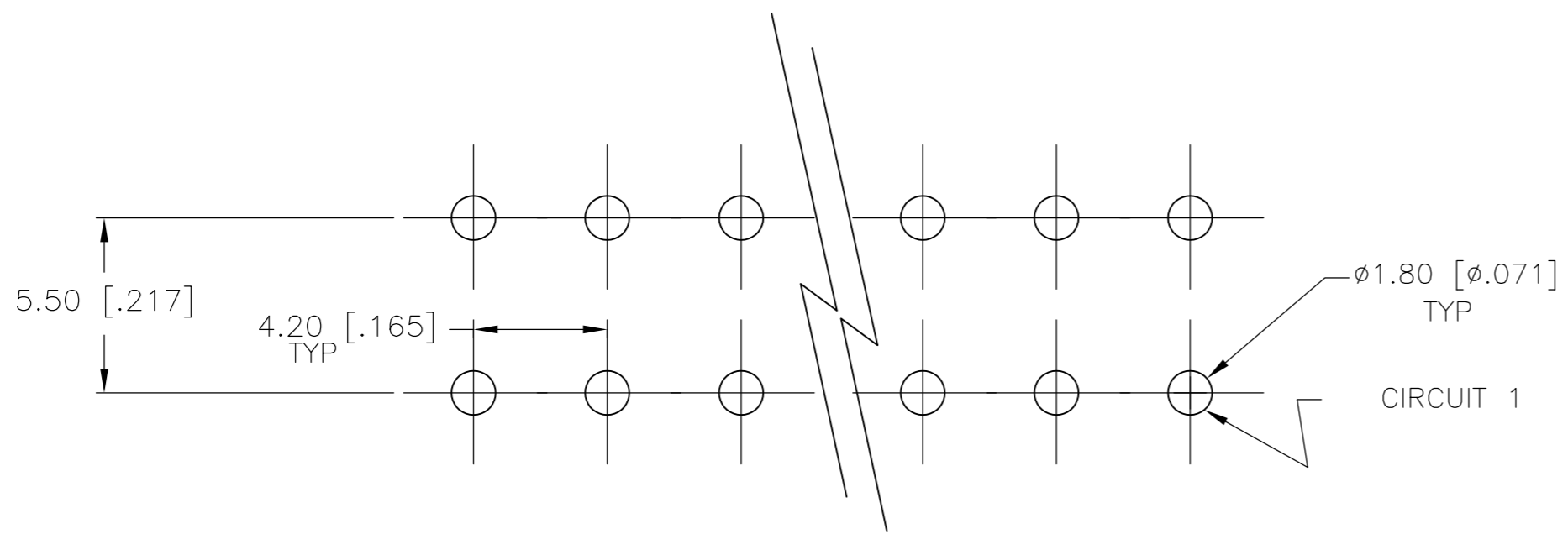
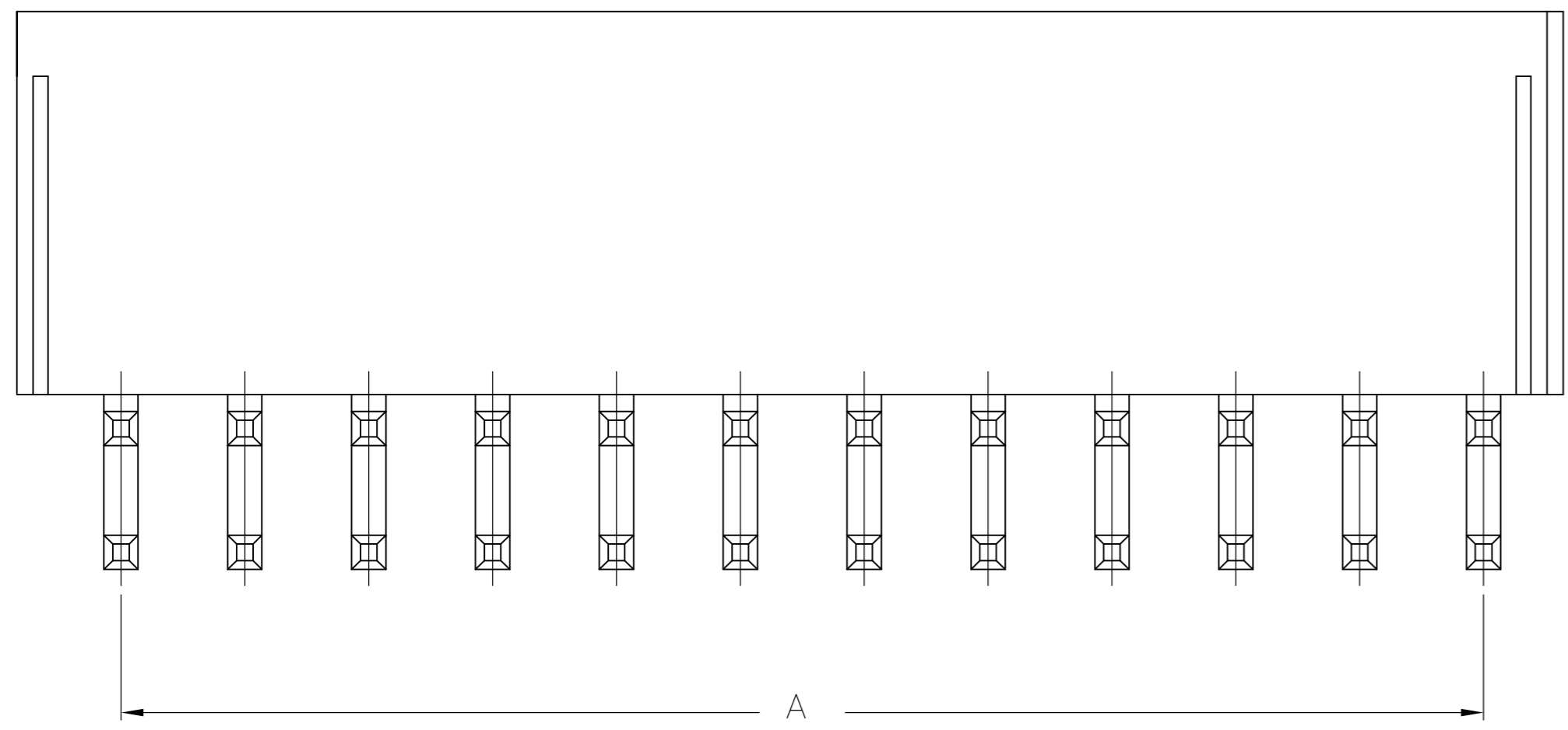
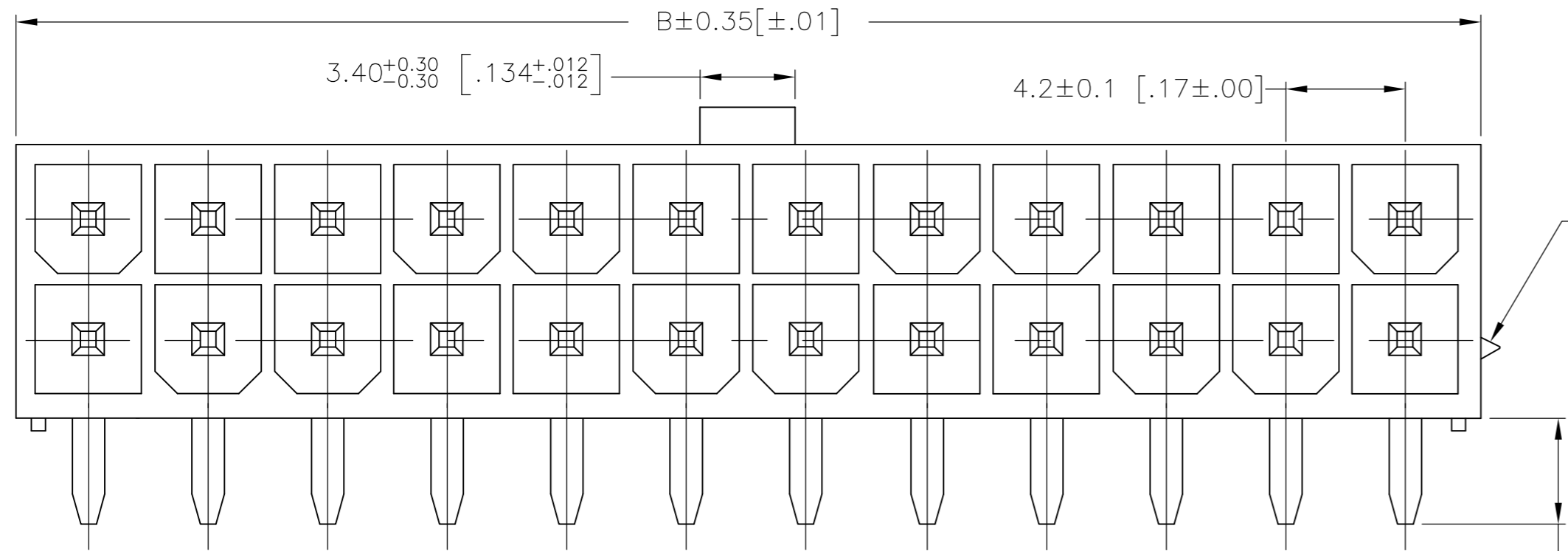


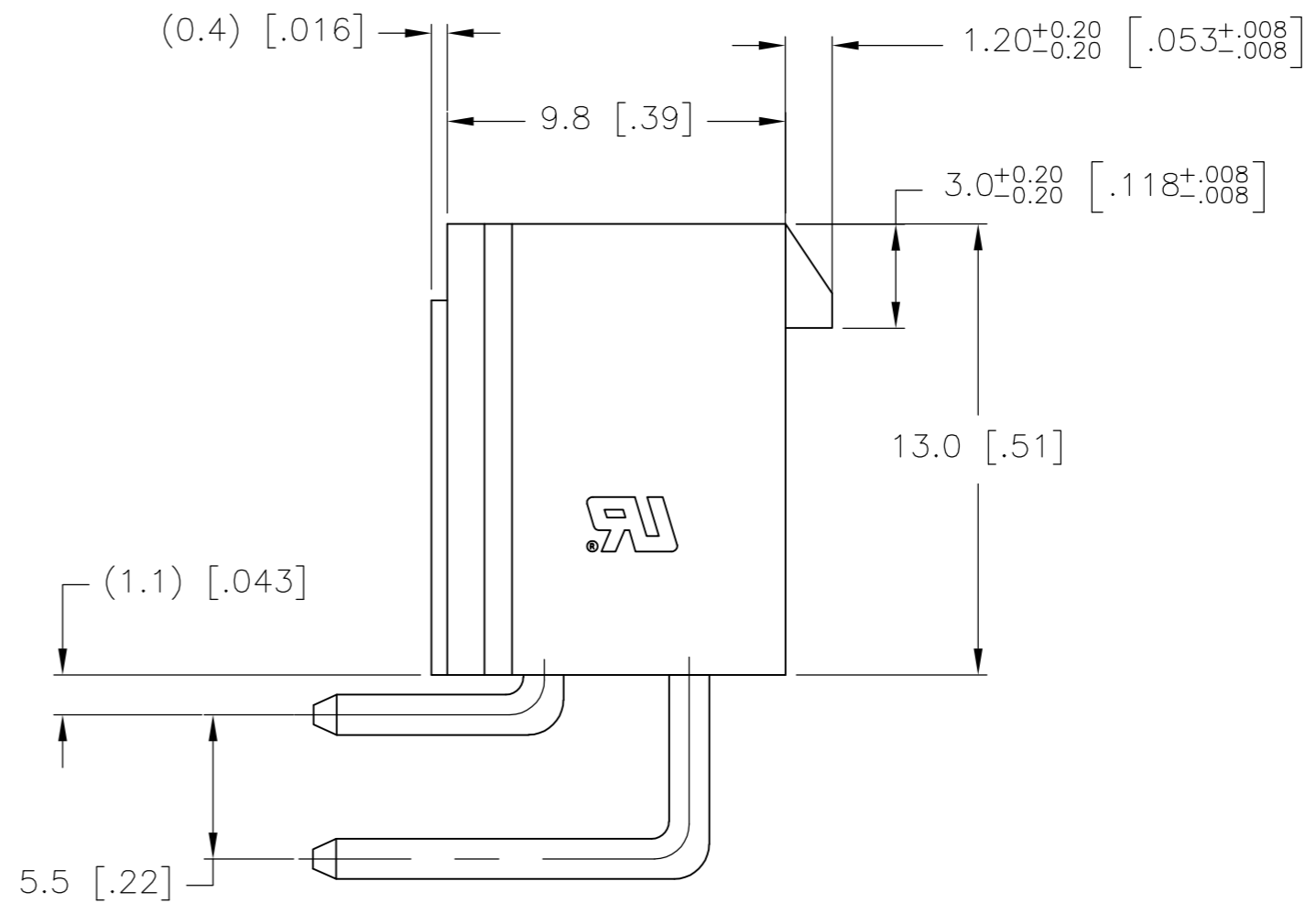
THIS DRAWING IS UNPUBLISHED. RELEASED FOR PUBLICATION  
 © COPYRIGHT - By - ALL RIGHTS RESERVED.

LOC		DIST		REVISIONS			
P	LTR	DESCRIPTION		DATE	DWN	APVD	
B4		REVISED PER ECR-12-021619		17DEC2012	A.Z	F.M	
B5		REVISED PER ECR-14-015562		20OCT2014	A.Z	D.Z	
B6		REVISED PER ECR-14-017923		16FEB2015	AV	D.Z	



PCB LAYOUT: COMPONENT SIDE  
 RECOMMENDED BOARD THICKNESS 1.60 [0.063]

POSITION 1 IDENTIFICATION FEATURE



- 1 MATERIAL: HOUSING-NYLON, UL94V-0 (COLOR SEE TABLE, COLOR OF PARTS MAY VARY) CONTACTS-0.25 [0.010] THICK BRASS ALLOY.
- 2 CONTACT FINISH: 0.002032 [0.000080] MIN MATTE TIN OVER 0.000381 [0.000015] MIN NICKEL OVER ENTIRE CONTACT.
- 3 MATES WITH VAL-U-LOK(TM) RECEPTACLE HOUSINGS.
- 4 PRELIMINARY-NOT FOR PRODUCTION.

COLOR	POS	A	B ± 0.35 [±.01]	PART NUMBER
BLACK	6	8.4 ± 0.1 [0.33 ± 0.00]	13.8 [0.54]	3-1586042-6
NATURAL	2		5.4 [0.21]	1586042-2
NATURAL	4	4.2 ± 0.1 [0.17 ± 0.00]	9.6 [0.38]	1586042-4
NATURAL	6	8.4 ± 0.1 [0.33 ± 0.00]	13.8 [0.54]	1586042-6
NATURAL	8	12.6 ± 0.1 [0.50 ± 0.00]	18.0 [0.71]	1586042-8
NATURAL	10	16.8 ± 0.1 [0.66 ± 0.00]	22.2 [0.87]	1-1586042-0
NATURAL	12	21.0 ± 0.2 [0.83 ± 0.01]	26.4 [1.04]	1-1586042-2
NATURAL	14	25.2 ± 0.2 [0.99 ± 0.01]	30.6 [1.21]	1-1586042-4
NATURAL	16	29.4 ± 0.2 [1.16 ± 0.01]	34.8 [1.37]	1-1586042-6
NATURAL	18	33.6 ± 0.2 [1.32 ± 0.01]	39.0 [1.54]	1-1586042-8
NATURAL	20	37.8 ± 0.2 [1.49 ± 0.01]	43.2 [1.70]	2-1586042-0
NATURAL	22	42.0 ± 0.2 [1.65 ± 0.01]	47.4 [1.87]	2-1586042-2
NATURAL	24	46.2 ± 0.2 [1.82 ± 0.01]	51.6 [2.03]	2-1586042-4

2-1586042-4 SHOWN

THIS DRAWING IS A CONTROLLED DOCUMENT.		DWN S. HOOVER 18-SEP-2002		
DIMENSIONS: mm [INCHES]		CHK D. COLEY 18-SEP-2002		
TOLERANCES UNLESS OTHERWISE SPECIFIED:		APVD D. COLEY 18-SEP-2002	NAME	
0 PLC ±		PRODUCT SPEC 108-2112	RIGHT ANGLE HEADER, WITHOUT PEGS VAL-U-LOK(TM)	
1 PLC ± 0.5 [0.02]		APPLICATION SPEC 114-13172	SIZE A2	CAGE CODE 00779
2 PLC ± 0.5 [0.02]		WEIGHT	DRAWING NO C=1586042	RESTRICTED TO -
3 PLC ± 0.25 [0.010]		CUSTOMER DRAWING	SCALE 10:1	SHEET 1 of 1
4 PLC ± 0.150 [0059]			REV B6	
ANGLES ±				
FINISH				

# Mouser Electronics

Authorized Distributor

Click to View Pricing, Inventory, Delivery & Lifecycle Information:

[TE Connectivity:](#)

[1586042-4](#)