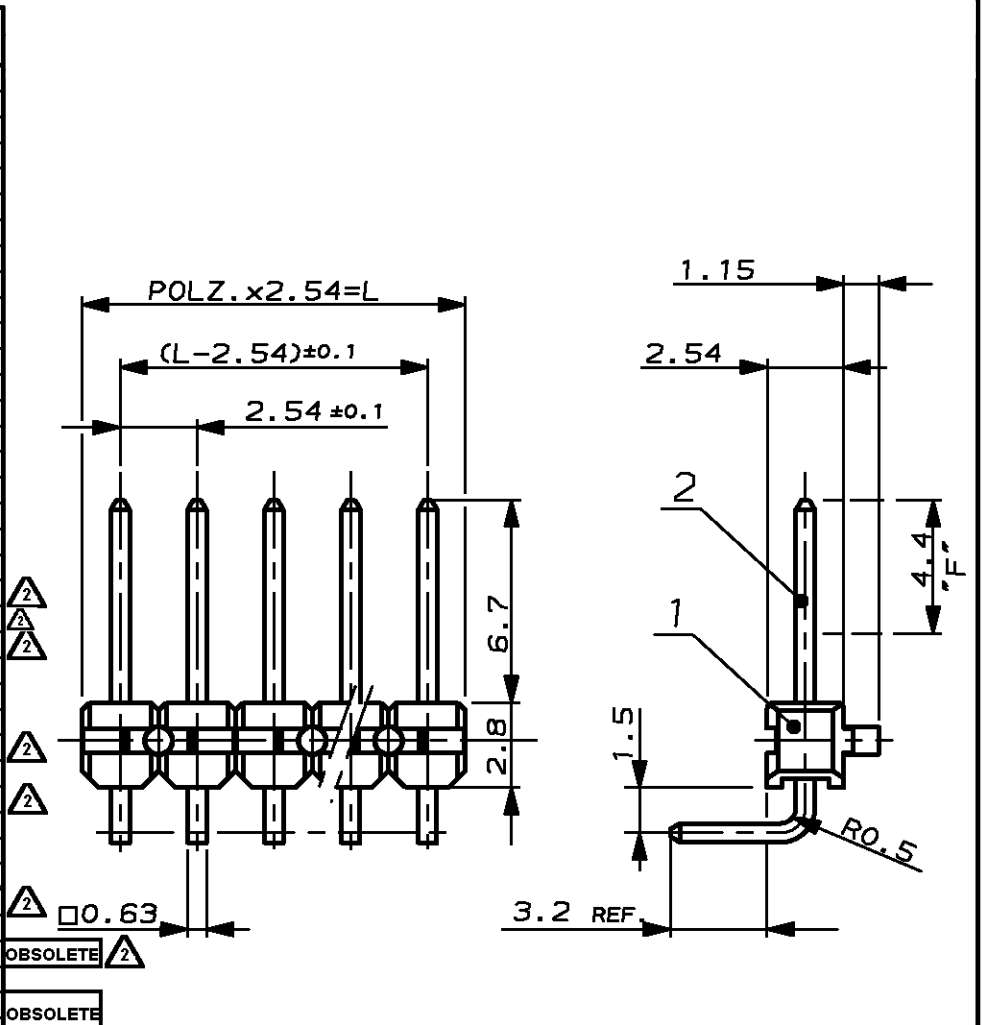


RELEASED FOR PUBLICATION  
 FREI FÜR VERÖFFENTLICHUNG  
 KW 39/96  
 THIS DRAWING IS UNPUBLISHED.  
 VERTRAULICHE UNVERÖFFENTLICHTETE ZEICHNUNG.  
 ALL RIGHTS RESERVED.  
 ALLE RECHTE VORBEHALTEN.  
 BY TE INCORPORATED.  
 COPYRIGHT 1975

MATED WITH: PASSEND ZU:	LOC	DIST	P	LTR	REVISIONS ÄNDERUNGEN DESCRIPTION BESCHREIBUNG	DATE	DWN	APVD
-	AI	-						
PROJEKT NR.:	E 75-9231		V		Contact pin base material change from CuSn (Phosphor bronze) to CuZn (Brass). Plating change from min. 0.8microns gold plating to min. 0.7 microns Pd Ni + 0.1 microns gold flash at contact area (Area F).	24JUN 2014	TJ	JK

POLZ.	L±0.5	BESTELL-NR.
-	-	-
2	5.08	825 437 -2
3	7.62	-3
4	10.16	-4
5	12.70	-5
6	15.24	-6
7	17.78	-7
8	20.32	-8
9	22.86	-9
10	25.40	1-
11	27.94	1-
12	30.48	1-
13	33.02	1-
14	35.56	1-
15	38.10	1-
16	40.64	1-
17	43.18	1-
18	45.72	1-
19	48.26	1-
20	50.80	2-
21	53.34	2-
22	55.88	2-
23	58.42	2-
24	60.96	2-
25	63.50	2-
26	66.04	2-
27	68.58	2-
28	71.12	2-
29	73.66	2-
30	76.20	3-
31	78.74	3-
32	81.28	3-
33	83.82	3-
34	86.36	3-
35	88.90	3-
36	91.44	3-
37	93.98	3-
38	96.52	3-
39	99.06	3-
40	101.60	4-
41	104.14	4-
42	106.68	4-
43	109.22	4-
44	111.76	4-
45	114.30	4-
46	116.84	4-
47	119.38	4-
48	121.92	4-
49	124.46	4-
50	127.00	5- 825 437 -0



1 MATING SIDE: MIN 0.7µm PdNi + 0.1µm GOLD FLASH. SOLDER SIDE: MIN 2.5µm TIN OVER 1.27µm NICKEL.  
 2 OBSOLETE PARTS: OBSOLETE CIS STREAMLINING PER D.RENAUD/D.SINISI  
 3 OBSOLETE

-	-	-	-	Cu Zn	1	CONTACT PIN KONTAKTSTIFT	2
-	-	-	-	PBT GV	GREEN GRÜN	PIN HOUSING STIFTGEHÄUSE	1
CUSTOMER PART NO	TE PART NO	REV.	PCS.	MATERIAL	SURFACE COLOR	DESCRIPTION	ITEM NO

DIMENSIONS, DIMENSIONEN, mm  TOLERANCES UNLESS OTHERWISE SPECIFIED, ALLGEMEINTOLERANZEN P.P. ISO 8015 P.P. ISO 2768 - mH - E P.P. DIN 16901 - 140  P.L.C. ±0.2 P.L.C. ±0.2 P.L.C. ±0.2 P.L.C. ± ANGLES/WINKEL ±1°	DWN	DAHLHEIMER	05.12.75	MATERIAL	-	FINISH OBERFLÄCHE/FARBE	-
	CHK	BÖCK	17.12.75				
	APVD	-	-	<b>TE</b> TE Connectivity			
	PRODUCT SPEC PRODUKTSPEZ.	NAME AMPMODU II PIN HEADER, 90DEGREE, SINGLE ROW					
	APPLICATION SPEC VERARBEITUNGSSPEZ.	SIZE A4 00779					
	WEIGHT GEWICHT	DRAWING NO ZEICHNUNGS-NR. C-825437					
	CUSTOMER DRAWING			/KUNDENZEICHNUNG		MASSSTAB	4:1
				BLATT		1	OF 1
				REV		V	

# Mouser Electronics

Authorized Distributor

Click to View Pricing, Inventory, Delivery & Lifecycle Information:

[TE Connectivity:](#)

[1-825437-7](#)