

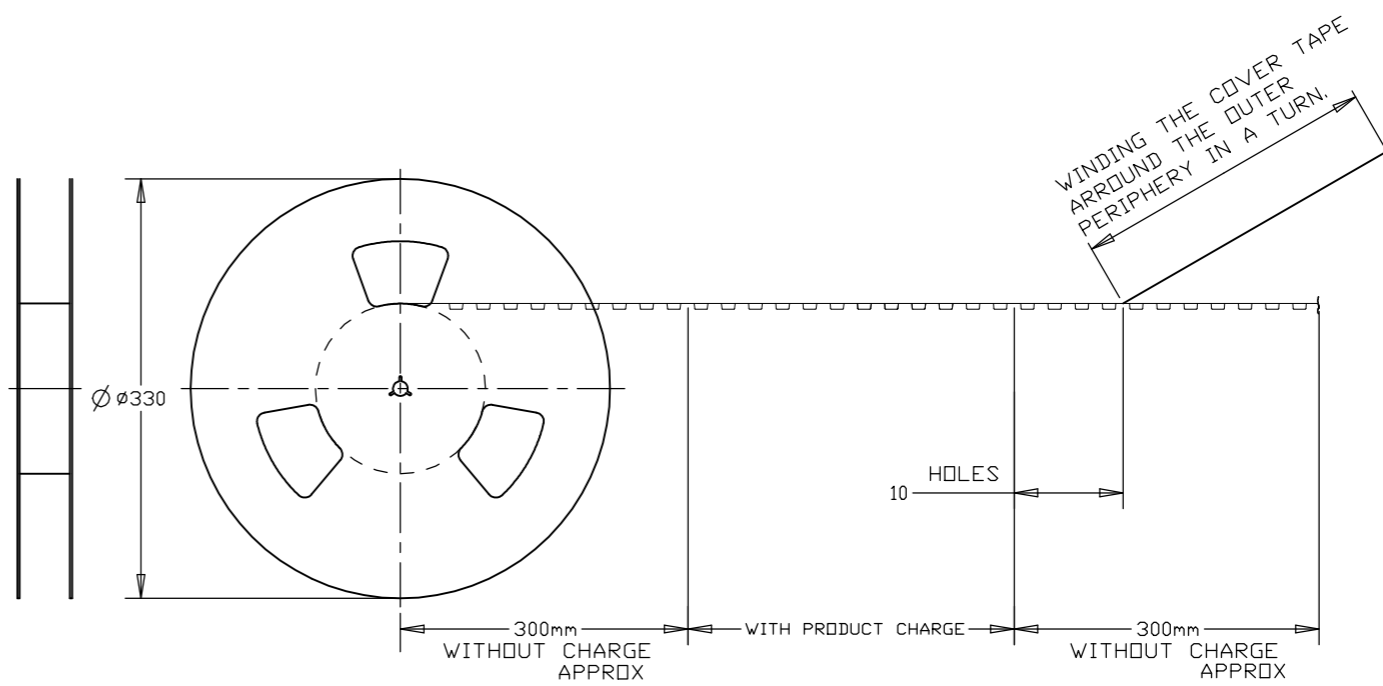
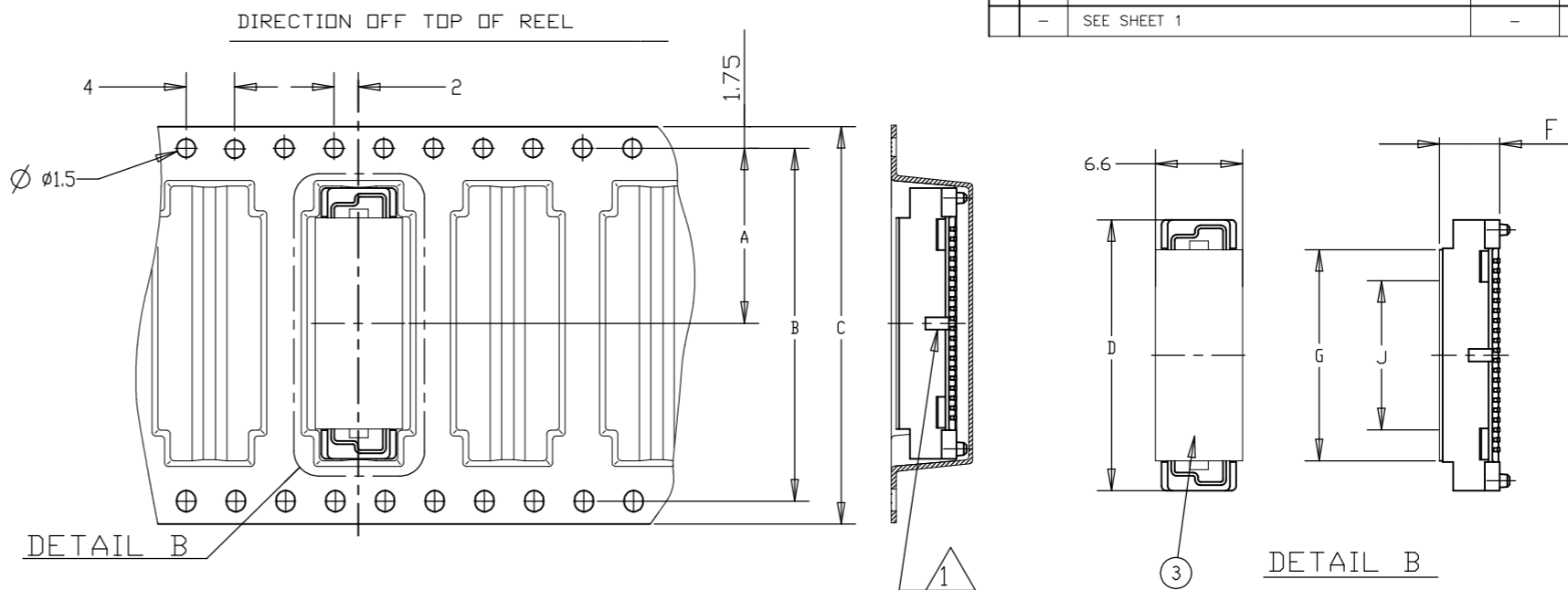


THIS DRAWING IS UNPUBLISHED. RELEASED FOR PUBLICATION  
 © COPYRIGHT - TE Connectivity ALL RIGHTS RESERVED.

LOW HALOGEN

REVISIONS				
P	LTR	DESCRIPTION	DATE	APVD
-	-	SEE SHEET 1	-	-

Notes:  
 6 0.0002 MIN GOLD PLATING  
 (7.8u INCHES GOLD PLATING)

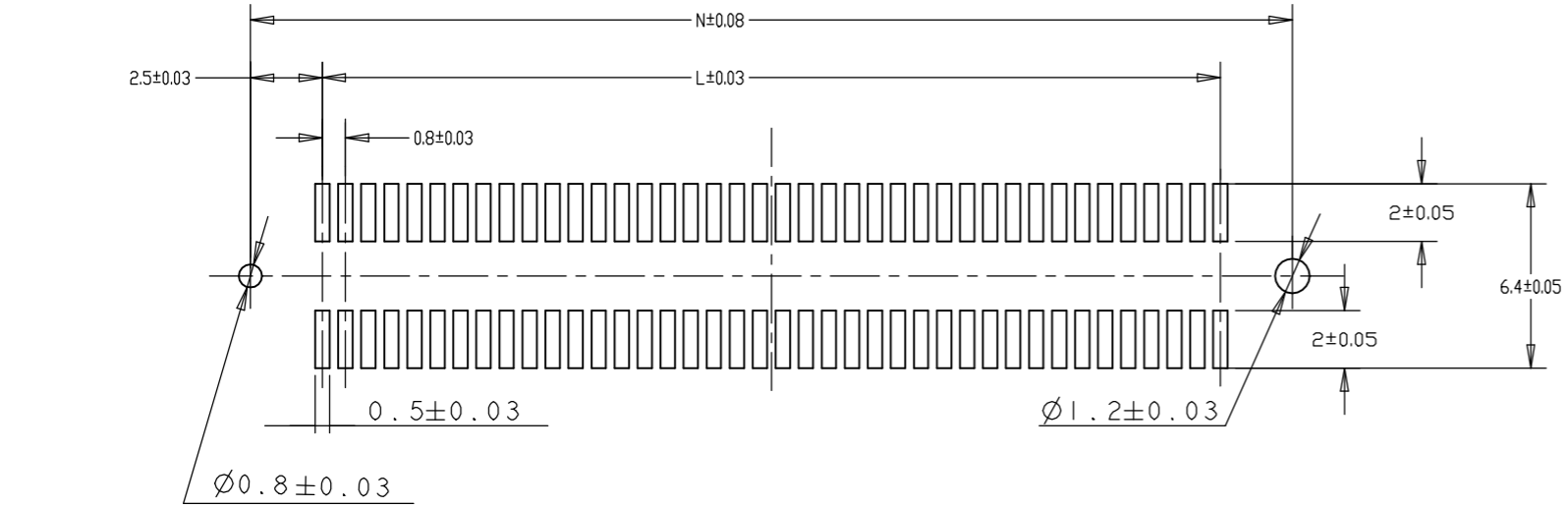
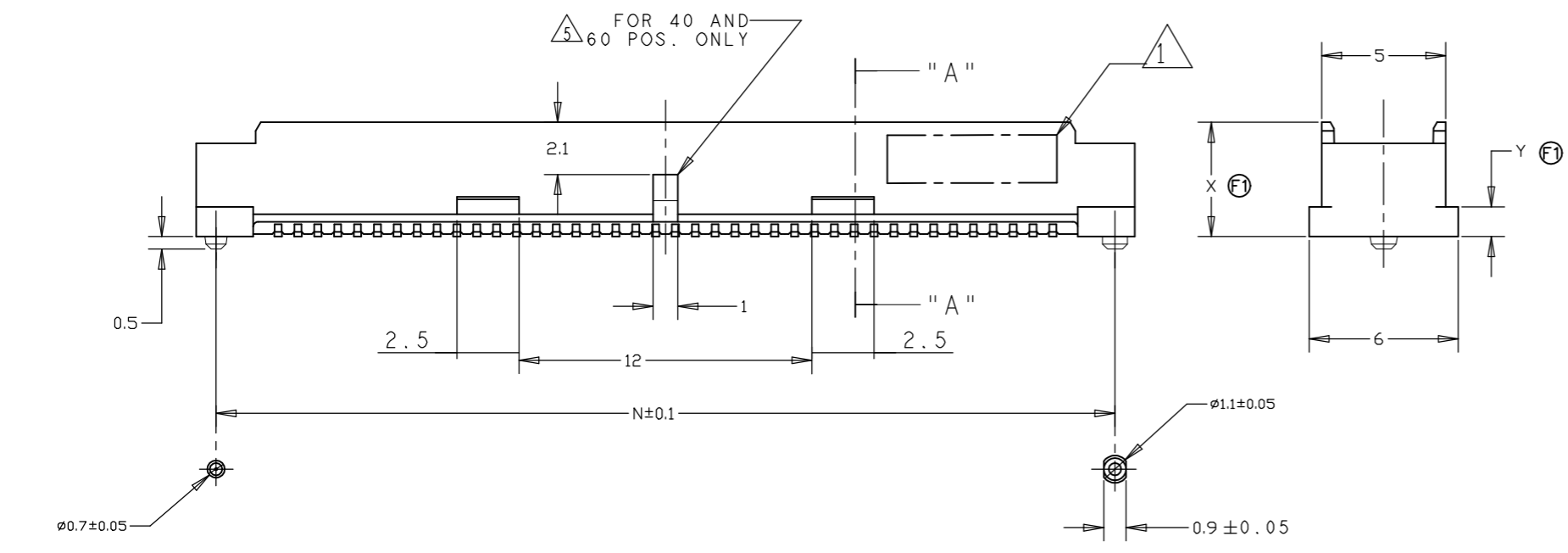
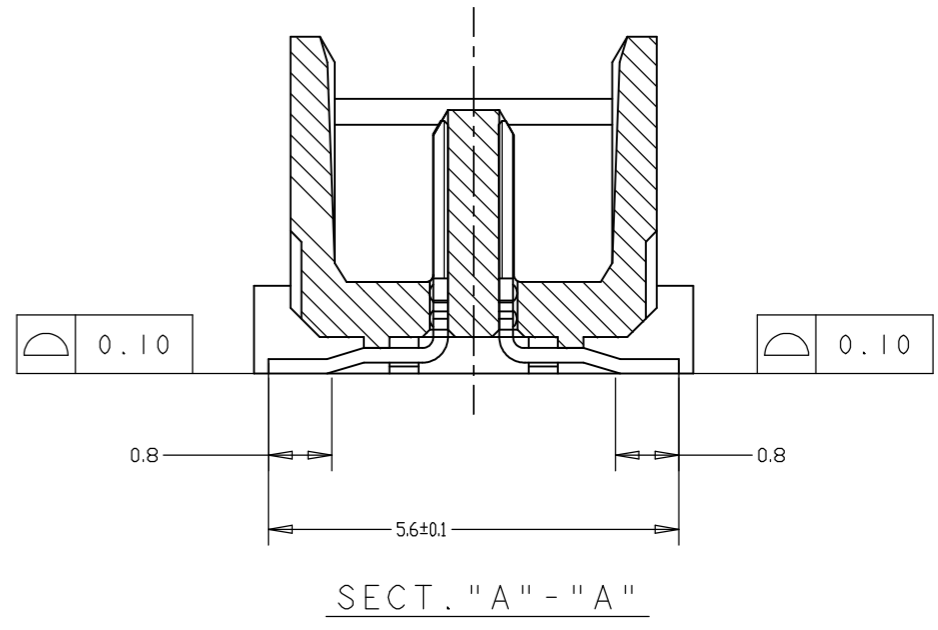
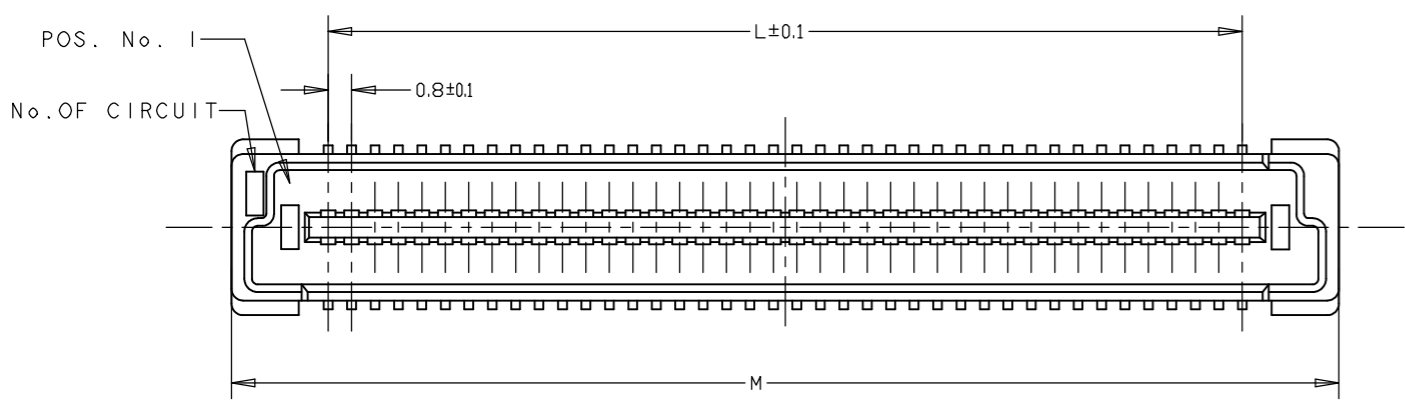


POLYIMIDE COVER

REMARKS	QTY	HEIGHT TYPE	J	H	G	F	E	D	C	B	A	POS	SALEABLE PART NO.
	650	5H	12	16	17	4.85	5.25	61.8	88	84.4	42.2	140	9-5177986-6

THIS DRAWING IS A CONTROLLED DOCUMENT.		DWN 30AUG2004 FLORENCE TAN		
DIMENSIONS: mm		CHK 30MAY2012 ERIC TNG		
TOLERANCES UNLESS OTHERWISE SPECIFIED:		APVD 30MAY2012 SF LEONG	NAME	
0 PLC ± -		PRODUCT SPEC	PLUG ASSEMBLY, FH 0.8 ON TAPING (EMBOSS) 0.5 BOSS LENGTH	
1 PLC ± 0.2		APPLICATION SPEC	SIZE	CAGE CODE
2 PLC ± 0.15		WEIGHT 0	A2	00779
3 PLC ± 0.1		CUSTOMER DRAWING	C=5177986	
4 PLC ± -		SCALE 1:1	SHEET 2 of 3	
ANGLES ± -		REV F1		RESTRICTED TO
FINISH				

REVISIONS				
P	LTR	DESCRIPTION	DATE	APVD
-	-	SEE SHEET 1	-	-



RECOMMENDED P.C. BOARD LAYOUT

LOW HALOGEN

CONNECTOR ONLY

84.2	85.8	79.2	200
76.2	77.8	71.2	180
68.2	69.8	63.2	160
60.2	61.8	55.2	140
52.2	53.8	47.2	120
44.2	45.8	39.2	100
36.2	37.8	31.2	80
28.2	29.8	23.2	60
20.2	21.8	15.2	40
F1	N	M	L POS.

THIS DRAWING IS A CONTROLLED DOCUMENT.		DWN FLORENCE TAN 30AUG2004	TE Connectivity	
DIMENSIONS: mm		CHK ERIC TNG 30MAY2012	NAME	
TOLERANCES UNLESS OTHERWISE SPECIFIED:		APVD SF LEONG 30MAY2012	PLUG ASSEMBLY, FH 0.8 ON TAPING (EMBOSS) 0.5 BOSS LENGTH	
0 PLC ± - 1 PLC ± 0.2 2 PLC ± 0.15 3 PLC ± 0.1 4 PLC ± - ANGLES ± -		PRODUCT SPEC - APPLICATION SPEC -	SIZE A2	CAGE CODE 00779
MATERIAL -		FINISH -	DRAWING NO C=5177986	RESTRICTED TO -
		WEIGHT 0	SCALE 1:1	SHEET 3 of 3
		CUSTOMER DRAWING	REV F1	

5177986

# Mouser Electronics

Authorized Distributor

Click to View Pricing, Inventory, Delivery & Lifecycle Information:

[TE Connectivity:](#)

[5-5177986-3](#)