



Scotchlok™ Y (Yellow)

Insulated Electrical Spring Connector

Data Sheet



Application

Use a Y Scotchlok™ connector to electrically connect two or more conductor ends in a pigtail application and insulate the connection, or insulate a single conductor end.

Wire Range

AWG Range: solid or stranded copper conductors only. No. 22 thru No. 10 (0,75 mm² thru 2,5 mm²)

Construction

- Spring** Spring steel, Corrosion resistant coating
- Shell** Steel, Corrosion resistant coating
- Insulator** Flame Retardant Flexible Polyvinyl Chloride
Color- yellow

Weight

.0043 lb. (1.96 gm)

Engineering Specification

Electrical Spring Connector (as manufactured by 3M, part No. Y Scotchlok) capable of connecting two or more wires in a pigtail application, in the wire range of No. 22 thru No. 10 AWG solid or stranded copper conductors. The conductor shall have a corrosion resistant coating. The connector shall be constructed

of an active (live) spring and a steel shell covered by a vinyl insulator. The spring shall have a corrosion resistant coating. (The connector shall be UL Listed and CSA Certified as a pressure cable connector. The connector shall be voltage rated 600 volts maximum, building wire, 1000 volts maximum, signs, fixtures and luminaires. The connector shall have a maximum operating temperature of 105°C.

Regulatory Agencies

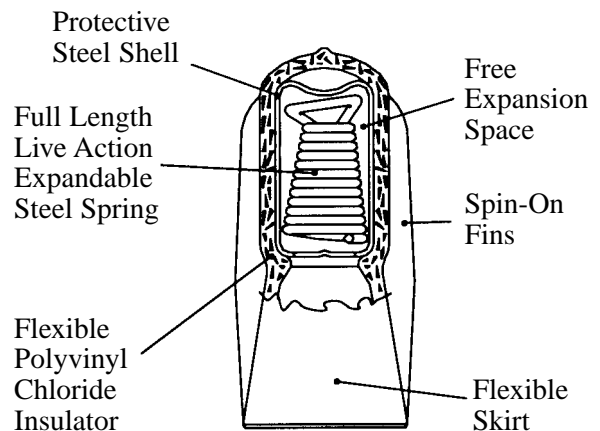
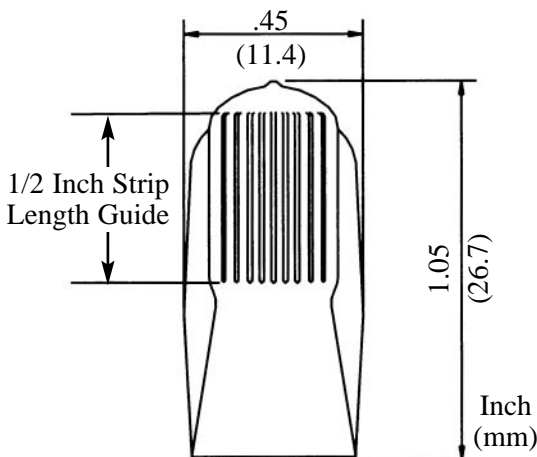
UL Listed as a Pressure Cable Connector
 Tested per UL Standard 486C
 UL File No. E23438
 Operating Temperature: 105°C (221°F)
 Voltage Rating: 600 volts max. building wire;
 1000 volts max. signs and fixtures
 Flammability Rating: UL94 V-2

CSA Certified-CSA Standard C22.2 No. 0, 188-M1983
 CSA File No. LR15503
 Operating Temperature: 105°C (221°F)
 Voltage Rating: 600 volts max. building wire
 1000 volts max. signs and luminaires.
 Flammability Rating: C22.2 No. 0.6 V-2

Federal Specification W-S-610:

“Commercial package only”

Type	Class	Kind	Style
1	1	cu	G



Installation Instructions

WARNING

Turn power off before installing or removing terminal. All electrical work should be done according to appropriate electrical codes.

1. Strip wire insulation 1/2 inch (12.7 mm) from the end of the wires to be connected.
2. Firmly grasp wires, making sure insulation ends are even and tightly bundled. (wires may be twisted or untwisted). Slip connector over wire tips.
3. Turn connector onto wires in a clockwise direction until secure.
4. To remove, turn connector counter-clockwise.

Metric Wire Combinations


Copper Conductors Only


Conductor Combinations	
Minimum	Maximum
2,0mm ²	7,5mm ²

Conductor Combinations		
Quantity	Size	Type
3-6	0,75mm ²	sol/str
2-6	1,0mm ²	sol/str
2-4	1,0mm ²	sol/str
2-3	2,5mm ²	sol/str

Only AWG combinations are UL Listed or CSA Certified.

3M and Scotchlok are trademarks of 3M Company.

 is a trademark of Underwriters Laboratories.

 is a trademark of Canadian Standards Association.

IMPORTANT NOTICE

Before using this product, you must evaluate it and determine if it is suitable for your intended application. You assume all risks and liability associated with such use.

Warranty; Limited Remedy; Limited Liability. This product will be free from defects in material and manufacture as of the date of purchase. **3M MAKES NO OTHER WARRANTIES INCLUDING, BUT NOT LIMITED TO, ANY IMPLIED WARRANTY OF MERCHANTABILITY OR FITNESS FOR A PARTICULAR PURPOSE.** If this product is defective within the warranty period stated above, your exclusive remedy shall be, at 3M's option, to replace or repair the 3M product or refund the purchase price of the 3M product. **Except where prohibited by law, 3M will not be liable for any loss or damage arising from this 3M product, whether direct, indirect, special, incidental or consequential regardless of the legal theory asserted.**

3M

Electrical Products Division

6801 River Place Blvd.
Austin, TX 78726-9000
www.3M.com/elpd

Litho in USA
©3M 2003 78-8126-5511-2-A

Mouser Electronics

Authorized Distributor

Click to View Pricing, Inventory, Delivery & Lifecycle Information:

3M:

[Y \(BULK\)](#) [STK-1 RED TERM BOX](#)