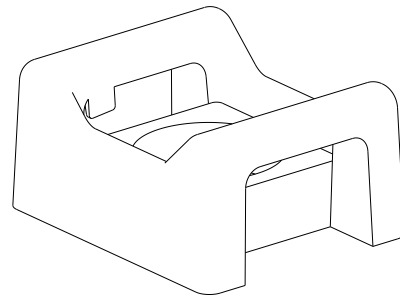
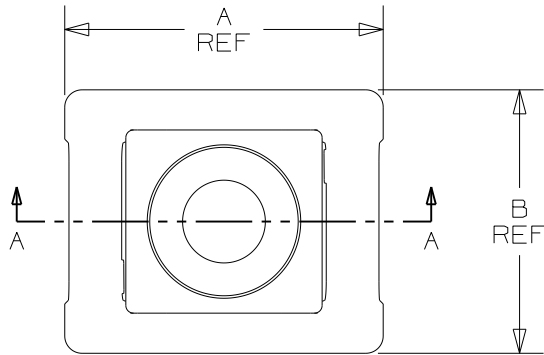
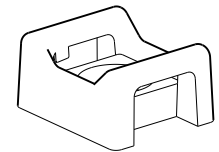


THIS COPY IS PROVIDED ON A RESTRICTED BASIS AND IS NOT TO BE USED IN ANY WAY DETRIMENTAL TO THE INTERESTS OF PANDUIT CORP.

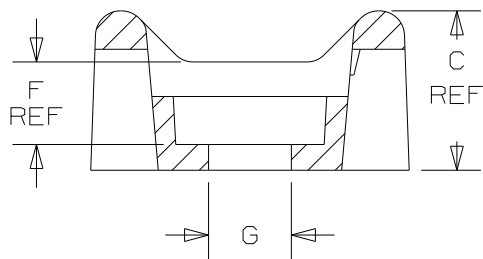
PANDUIT PART NO.	RECOMMENDED FASTENER	'A' REF	'B' REF	'C' REF	'D'	'E'	'F' REF	'G'	WEIGHT lbs (g) per 100 pcs	USE WITH CABLE TIE
HVTM-06-__	M6 SCREW	.81 [ 20.6 ]	.68 [ 17.3 ]	.41 [ 10.4 ]	.40 [ 10.2 ]	.11 [ 2.8 ]	.21 [ 5.3 ]	.24 [ 6.1 ]	.36 [ 165 ]	HV , IT



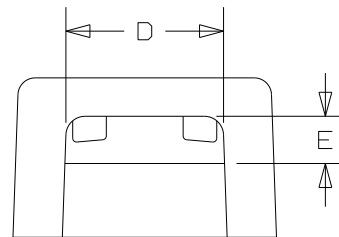
NOTES:  
1. SEE CURRENT PRICE SHEET FOR PART NUMBER SUFFIX DESIGNATION FOR PACKAGE SIZE.



ISOMETRIC  
1:1



SECTION A-A



DIMENSIONS IN BRACKETS ARE METRIC [ mm ]

CAD FILENAME/LAYERS G03597JS\_DC\_G00239MA\_04/00

**PANDUIT** CORP. TINLEY PARK, ILLINOIS

HYPER-V TIE MOUNT ( HVTM\_\_\_\_\_ )

UNLESS OTHERWISE SPECIFIED,  
DIMENSIONAL TOLERANCES ARE:  
(.X) ±0.05 [ 1.3 ] (.XXX) ±0.010 [ 0.25 ]  
(.XX) ±0.02 [ 0.5 ] ANGLES ±5°

UNLESS OTHERWISE SPECIFIED,  
ALL DIMENSIONS ARE GIVEN  
IN INCHES, THIRD ANGLE  
PROJECTION.

DRAWN BY  
KLN

MAT'L :  
NYLON 6/6  
WEATHER RESISTANT  
BLACK

SCALE  
2:1

DATE  
02-07-06  
CHK'D

DRAWING NO.  
G00239MA  
DWG  
A  
SIZE

REV	DATE	BY	CHK	DESCRIPTION	ECN	- R	CUST	SUP
4	2/01/11	BWG	MJVE	REMOVED HVTM-05 AND HVMT3S10.	GB0239MA	4	PBC	

# Mouser Electronics

Authorized Distributor

Click to View Pricing, Inventory, Delivery & Lifecycle Information:

[Panduit:](#)

[HVTM-06-C0](#)