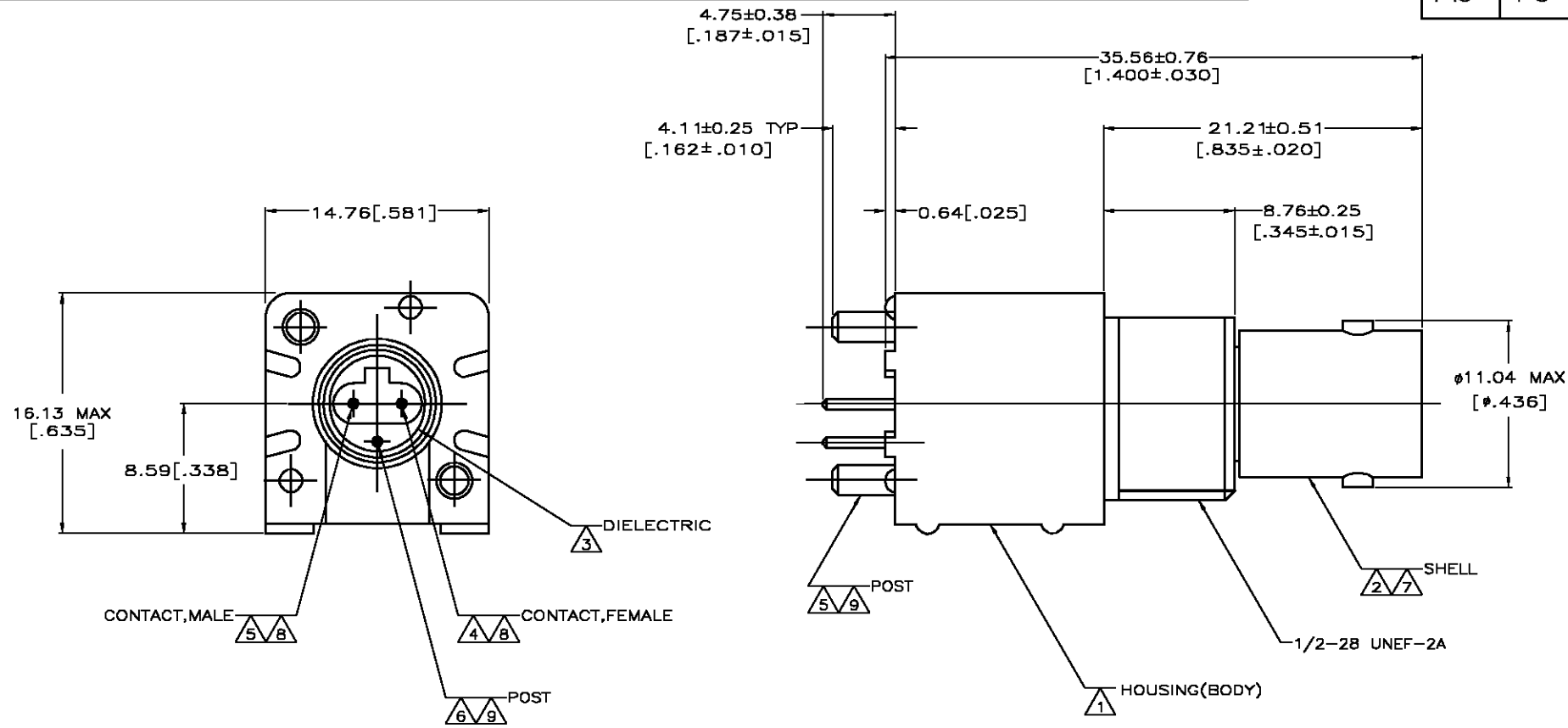
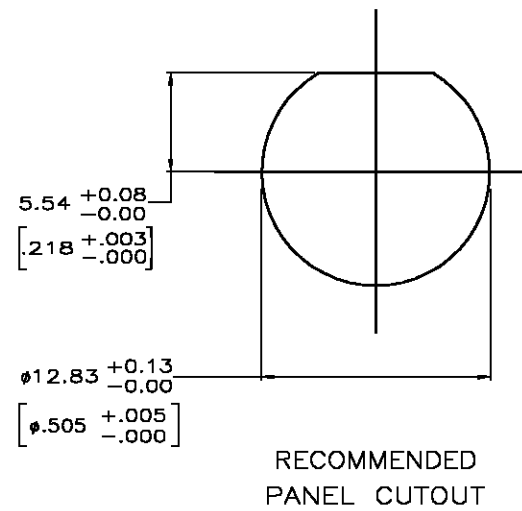
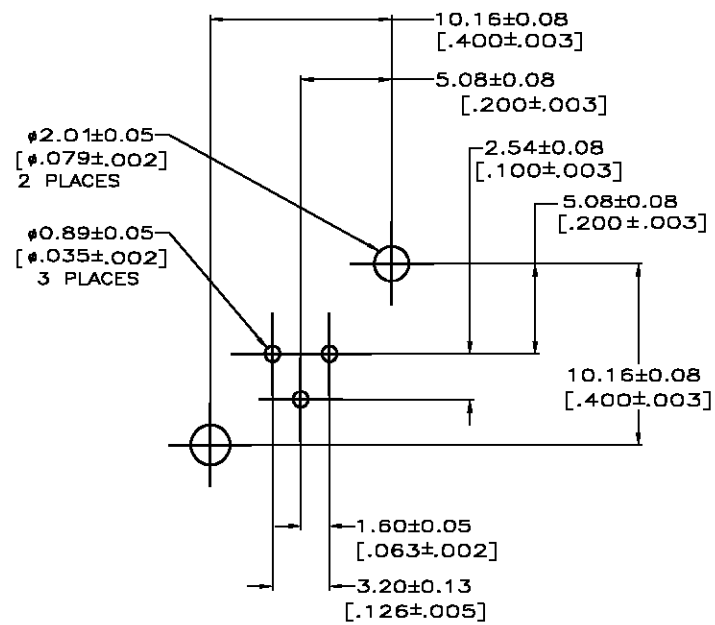


THIS DRAWING IS UNPUBLISHED. RELEASED FOR PUBLICATION
 © COPYRIGHT BY TYCO ELECTRONICS CORPORATION. ALL RIGHTS RESERVED.

LOC	DIST	REVISIONS			
P	LTR	DESCRIPTION	DATE	DWN	APVD
AJ	16	C	PER EC 0S14-0192.	30NOV04	JGH JL



- △ POLYESTER, PBT, 15% GLASS FIBER REINFORCED, NATURAL, PER MIL-M-24519.
- △ ZINC PER QQ-Z-363.
- △ POLYMETHYLPENTENE, GENERAL PURPOSE.
- △ PHOSPHOR BRONZE PER QQ-B-750.
- △ BRASS PER QQ-B-626.
- △ BRASS PER ASTM-B-453.
- △ NICKEL PL PER QQ-N-290, 3.81µm[.000150] MINIMUM THICK
- △ GOLD PL PER MIL-G-45204, 0.76µm[.000030] MINIMUM THICK
- △ TIN PLATE PER ASTM-B-545, 3.81µm[.000150] MINIMUM THICK



PCB CONFIGURATION

RECOMMENDED PANEL CUTOUT

THIS DRAWING IS A CONTROLLED DOCUMENT.		DWN R. E. RUTH 10/22/90	Tyco Electronics Corporation Harrisburg, Pa 17105-3608	
DIMENSIONS: mm		CHK A. GABANY 3-6-91	NAME JACK, VERTICAL, PCB, SERIES TWIN BNC	
TOLERANCES UNLESS OTHERWISE SPECIFIED:		APVD A. GABANY 3-6-91	SIZE A3	
0 PLC ± -		PRODUCT SPEC	CAGE CODE 00779	DRAWING NO 221198
1 PLC ± -		APPLICATION SPEC	RESTRICTED TO	
2 PLC ± 0.20[.008]		WEIGHT	-	
3 PLC ± -		CUSTOMER DRAWING		
4 PLC ± -		SCALE 5:1		
ANGLES ± -		SHEET 1 OF 1		
MATERIAL △1 △2 △3 △4 △5		REV C		
FINISH △6 △7 △8 △9				

Mouser Electronics

Authorized Distributor

Click to View Pricing, Inventory, Delivery & Lifecycle Information:

[TE Connectivity:](#)

[221198-1](#)