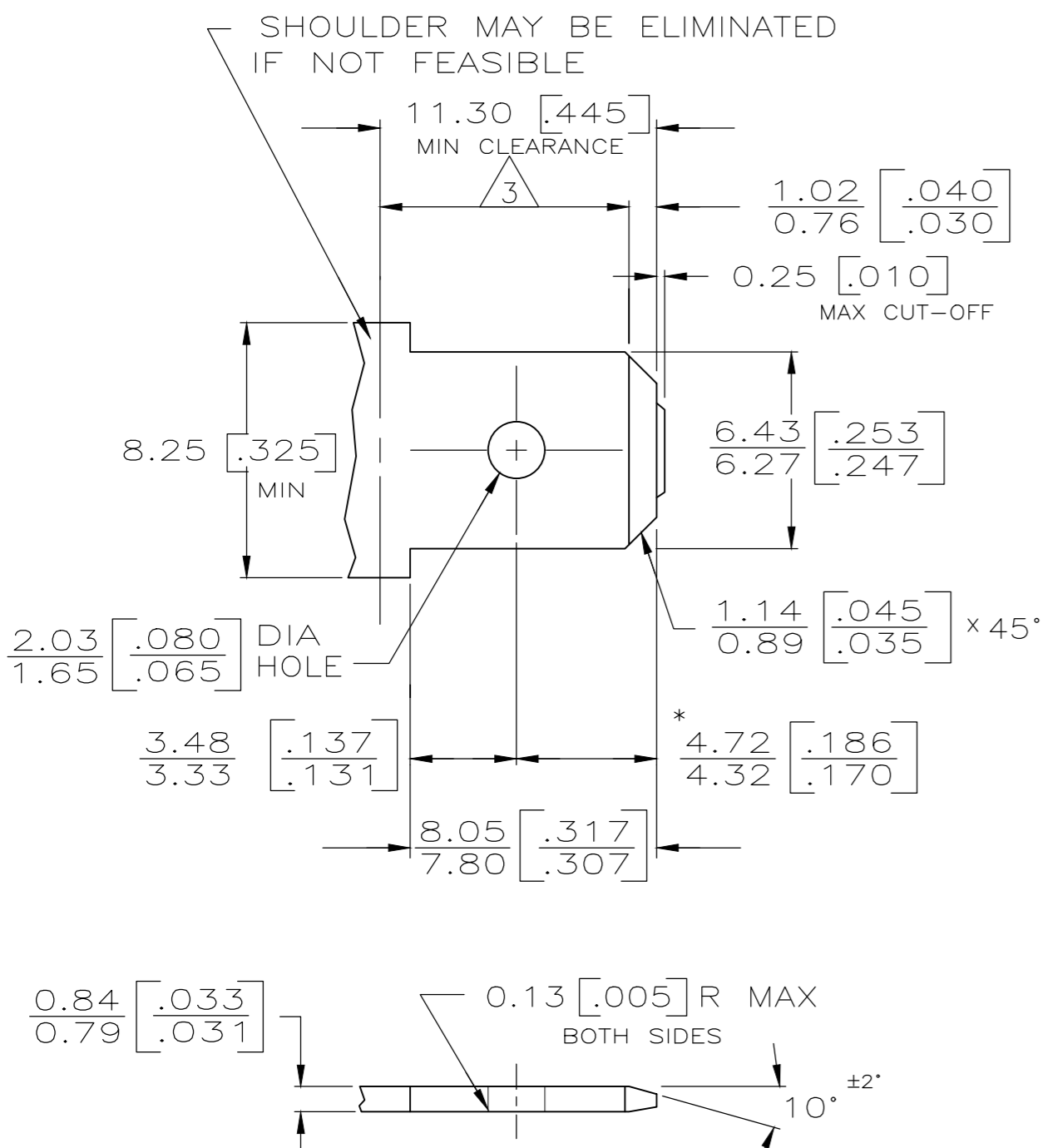


THIS DRAWING IS UNPUBLISHED. RELEASED FOR PUBLICATION
 © COPYRIGHT - By - ALL RIGHTS RESERVED.

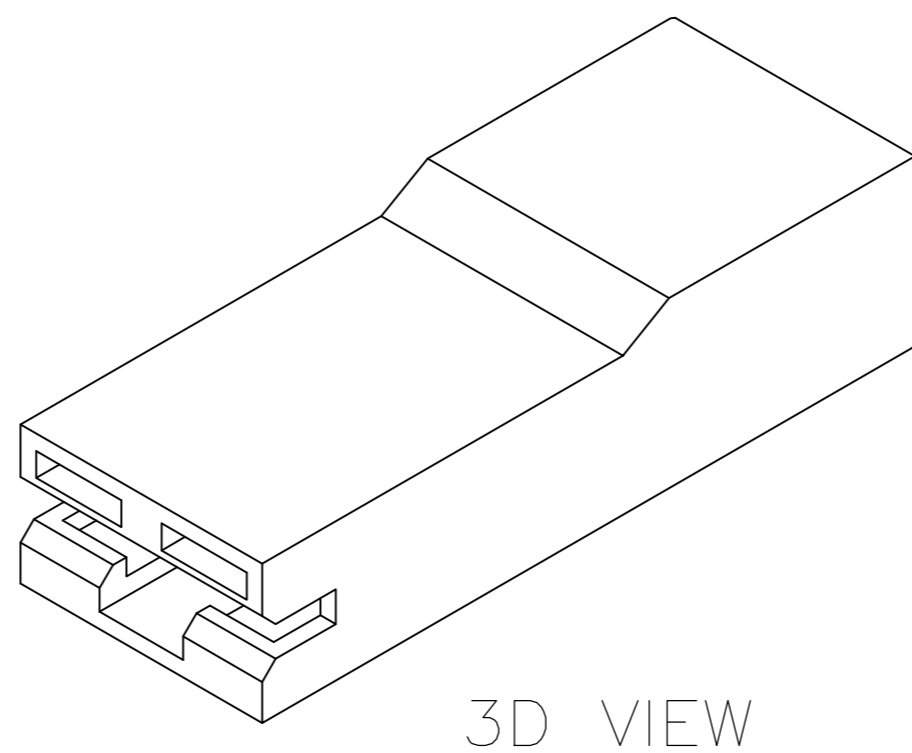
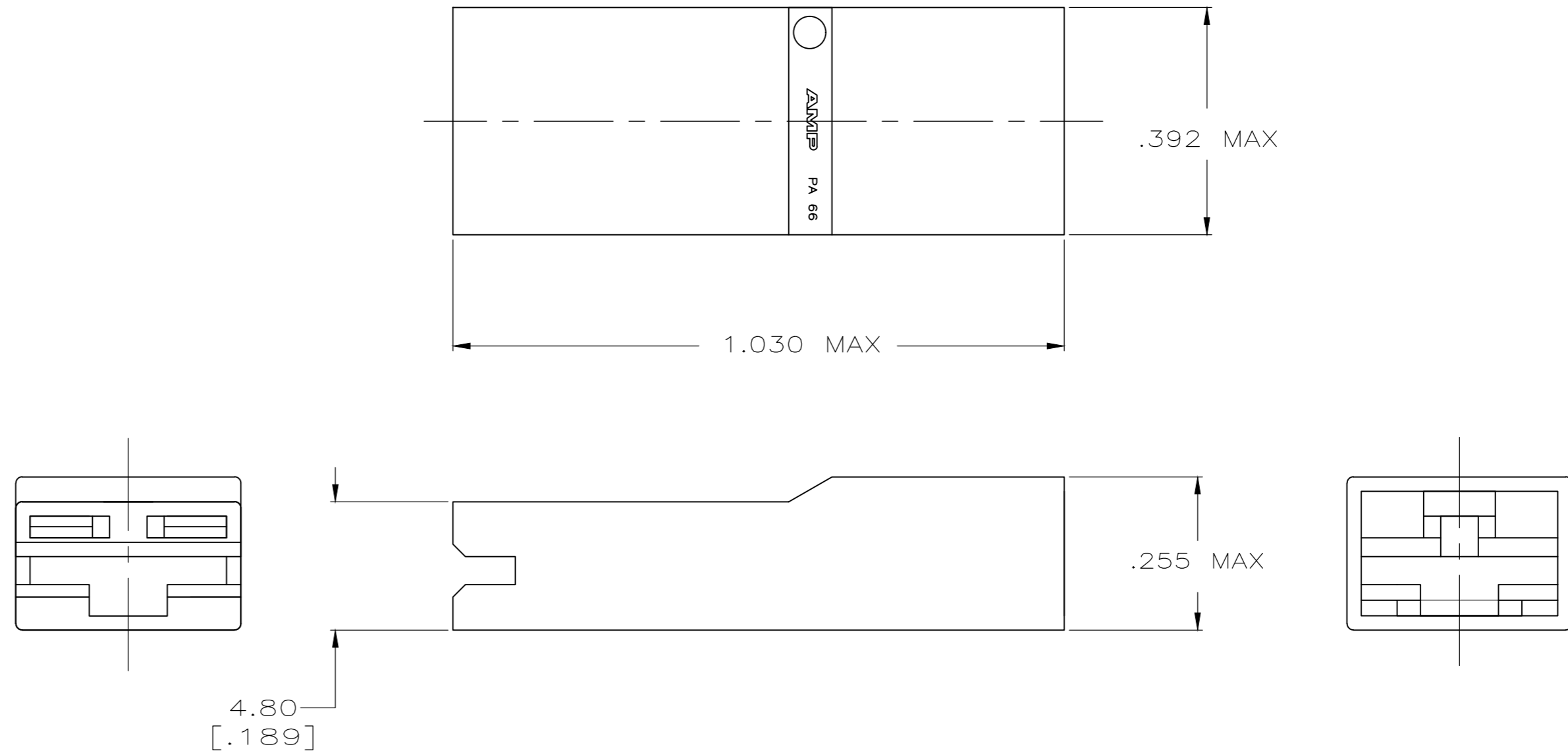
LOC	DIST	REVISIONS			
P	LTR	DESCRIPTION	DATE	DWN	APVD
AF	50	M9	REVISED PER ECR-18-014750	24SEP2018	BDA DS

- 1 ALL DIMENSIONS APPLY TO A MOISTURIZED HOUSING.
- 2 PRELIMINARY - NOT FOR PRODUCTION
- 3 OFFERED FOR CONSIDERATION IN "NON-DRIP" HOUSING MATERIAL APPLICATIONS.
- 4 OBSOLETE PARTS: OBSOLETE CIS STREAMLINING I PER D.RENAUD/D.SINIS
- 5 PREPRODUCTION-FASR REQUIRED

SUGGESTED MATING TAB



- 1 - MATL: 1/2 H BRASS OR NICKEL PL STEEL.
- 2 - NO BURRS PERMISSIBLE AT HOLE.
- 3 - MUST BE FLAT WITHIN 0.076 [0.003] OVER THIS LENGTH.
- 4 - TIN PLATING IS REQUIRED ON BRASS WHEN TERMINAL TEMP. IS OVER 225° F
- 5 - HOLE MUST BE SYMMETRICAL ABOUT TAB Q WITHIN 0.076 [0.003]
- * TO BE USED ONLY WHEN SHOULDER IS ELIMINATED.



3D VIEW

THIS DRAWING IS A CONTROLLED DOCUMENT.		DWN	JR RUTH	7/3/96		TE Connectivity																	
DIMENSIONS: mm [INCHES]		CHK	MS FEHER	7/3/96		NAME																	
TOLERANCES UNLESS OTHERWISE SPECIFIED:		APVD	J GILLISPIE	7/3/96		HOUSING, RECEPTACLE, POSITIVE-LOCK, MKIII, 6.35 [.250] SERIES																	
<table border="1"> <tr><td>0 PLC</td><td>±</td><td>-</td></tr> <tr><td>1 PLC</td><td>±</td><td>-</td></tr> <tr><td>2 PLC</td><td>±</td><td>0.25 [.010]</td></tr> <tr><td>3 PLC</td><td>±</td><td>-</td></tr> <tr><td>4 PLC</td><td>±</td><td>-</td></tr> <tr><td>ANGLES</td><td>±</td><td>-</td></tr> </table>		0 PLC	±	-		1 PLC	±	-	2 PLC	±	0.25 [.010]	3 PLC	±	-	4 PLC	±	-	ANGLES	±	-	PRODUCT SPEC	RESTRICTED TO	
0 PLC	±	-																					
1 PLC	±	-																					
2 PLC	±	0.25 [.010]																					
3 PLC	±	-																					
4 PLC	±	-																					
ANGLES	±	-																					
MATERIAL	SEE TABLE	FINISH	SEE TABLE	WEIGHT	SIZE	CAGE CODE	DRAWING NO																
CUSTOMER DRAWING		SCALE		5:1	SHEET	1 OF 2	REV																
					A2 00779 C=521120		M9																

THIS DRAWING IS UNPUBLISHED. RELEASED FOR PUBLICATION
 © COPYRIGHT - By - ALL RIGHTS RESERVED.

LOC	DIST	REVISIONS			
P	LTR	DESCRIPTION	DATE	DWN	APVD
		SEE SHEET 1	-	-	-

COLOR	MATERIAL	PART NO
NATURAL	66 NYLON, V0 NATURAL, GWT	3-521120-1
BROWN	66/6 NYLON, V0	2-521120-5
YELLOW	66/6 NYLON, V0	2-521120-4
GREEN	66/6 NYLON, V0	2-521120-3
RED	66/6 NYLON, V0	2-521120-2
BLUE	66/6 NYLON, V0	2-521120-1
BROWN	6/6 NYLON, V2	2-521120-0
YELLOW	6/6 NYLON, V2	1-521120-9
GREEN	6/6 NYLON, V2	1-521120-8
NATURAL	6/6 NYLON, V2	1-521120-7
BLACK	66/6 NYLON, V0	1-521120-6
NATURAL	66/6 OR 66 NYLON, V0	1-521120-5
NATURAL	6/6 NYLON, V0	1-521120-4
NATURAL	66/6 OR 66 NYLON, V0	1-521120-3
YELLOW	6/6 NYLON	1-521120-2
BLUE	6/6 NYLON	1-521120-1
GREEN	6/6 NYLON	1-521120-0
RED	6/6 NYLON	521120-9
BLACK	6/6 NYLON	521120-8
NATURAL	6/6 NYLON	521120-7
BLACK	4/6 NYLON	521120-6
RED	6/6 NYLON	521120-5
BLUE	6/6 NYLON	521120-4
PUTTY	6/6 NYLON	521120-2
NATURAL	6/6 NYLON	521120-1

4 OBSOLETE

4 OBSOLETE

THIS DRAWING IS A CONTROLLED DOCUMENT.		DWN JR_RUTH 7/3/96	STE TE Connectivity																			
DIMENSIONS: mm [INCHES]		CHK MS_FEHER 7/3/96																				
TOLERANCES UNLESS OTHERWISE SPECIFIED:		APVD J_GILLISPIE 7/3/96	NAME HOUSING, RECEPTACLE, POSITIVE-LOCK, MKIII, 6.35 [.250] SERIES																			
<table border="0"> <tr><td>0 PLC</td><td>±</td><td>-</td></tr> <tr><td>1 PLC</td><td>±</td><td>-</td></tr> <tr><td>2 PLC</td><td>±</td><td>0.25 [.010]</td></tr> <tr><td>3 PLC</td><td>±</td><td>-</td></tr> <tr><td>4 PLC</td><td>±</td><td>-</td></tr> <tr><td>ANGLES</td><td>±</td><td>-</td></tr> </table>		0 PLC	±	-	1 PLC	±	-	2 PLC	±	0.25 [.010]	3 PLC	±	-	4 PLC	±	-	ANGLES	±	-	PRODUCT SPEC -	SIZE A2	CAGE CODE 00779
0 PLC	±	-																				
1 PLC	±	-																				
2 PLC	±	0.25 [.010]																				
3 PLC	±	-																				
4 PLC	±	-																				
ANGLES	±	-																				
MATERIAL SEE TABLE		FINISH SEE TABLE	WEIGHT -	DRAWING NO 521120																		
CUSTOMER DRAWING			SCALE 5:1	SHEET 2 of 2																		
				RESTRICTED TO -																		
				REV M9																		