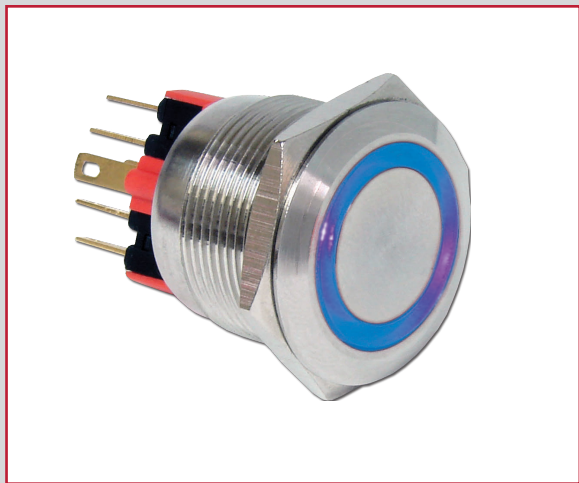


PV7 SERIES ANTI-VANDAL SWITCH

ANTI-VANDAL SWITCHES
DETECTOR SWITCHES
DIP SWITCHES
KEYLOCK SWITCHES
NAVIGATION SWITCHES
PUSHBUTTON SWITCHES
ROCKER SWITCHES
ROTARY SWITCHES
SLIDE SWITCHES
SNAP ACTION SWITCHES
TACTILE SWITCHES
TOGGLE SWITCHES
CAP OPTIONS



APPLICATIONS / MARKETS



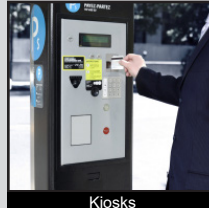
Audio / Visual



Security Devices



Industrial Controls



Kiosks



Electrical Housewares



Medical Equipment

RoHS

SPECIFICATIONS

Electrical Rating: 2A, 48VDC
Electrical Life: 50,000 Cycles
Contact Resistance: 50mΩ Max.
Insulation Resistance: 1000 MΩ Min. @ 500VDC
Dielectric Strength: 2,000VAC
Operating/Storage Temperature: -20°C to 55°C
Travel: 2.20mm
Moisture Protection: IP65
Contact Arrangement: SPDT
Actuation Force: 4 N
Panel Thickness: 1-8mm for Y Function
 1-12mm for T function
Mounting Nut Torque: 5-14Nm

FEATURES & BENEFITS

- 22mm diameter panel cutout
- RGB LED option
- Dot, ring or power symbol illumination available
- Multiple function options
- IP65 rated
- SPDT

PART NUMBER CONFIGURATOR

Series	Actuator Options	Terminal Options	Function Options	Rating Options	Body Finish Options	Actuator Finish Options	Lens Style Options	LED-Color Options	Illumination Voltage Options	Graphic (Optional)
<input type="text" value="PV7"/>	<input type="text" value="F - Flat"/>	<input type="text" value="2 - Solder"/>	<input type="text" value="T - 1 Pole Off - On
1 Pole On - Off
Y - 1 Pole Off - (On)
1 Pole On - (Off)"/>	<input type="text" value="0 - 2A,
48VDC"/>	<input type="text" value="N - Nickel Plated
S - Stainless Steel
1 - Black Anodized"/>	<input type="text" value="N - Nickel Plated
S - Stainless Steel
1 - Black Anodized"/>	<input type="text" value="NONE - Non-Illuminated
2 - Dot Illumination
3 - Ring Illumination"/>	<input type="text" value="NONE - Non-Illuminated
0 - White
1 - Red
2 - Orange
3 - Green
4 - Blue
5 - Yellow
F - Red/Orange
G - Red/Green
H - Red/Blue
J - Red/Yellow
K - Orange/Green
L - Orange/Blue
M - Orange/Yellow
R - RGB LED"/>	<input type="text" value="1 - Base Voltage
3 - 6V
4 - 12V
5 - 24V
6 - 125V
7 - 250V"/>	<input type="text" value="M01 - Power symbol (sm) laser etched
M03 - Power symbol illuminated
M16 - Power symbol (lg) laser etched"/>

NOTES:
 *() denotes function is momentary

Specifications subject to change without notice



E-SWITCH®

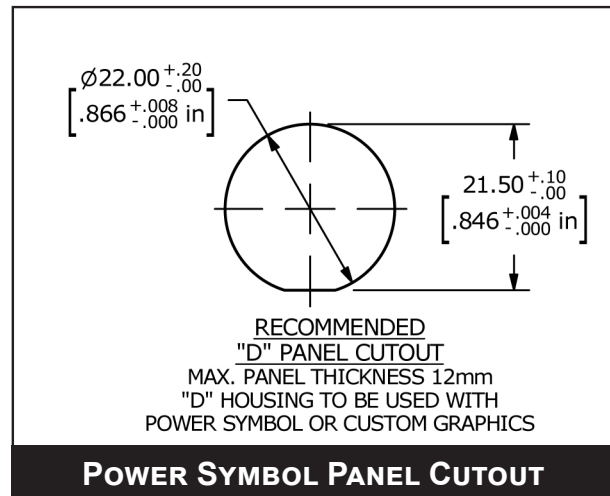
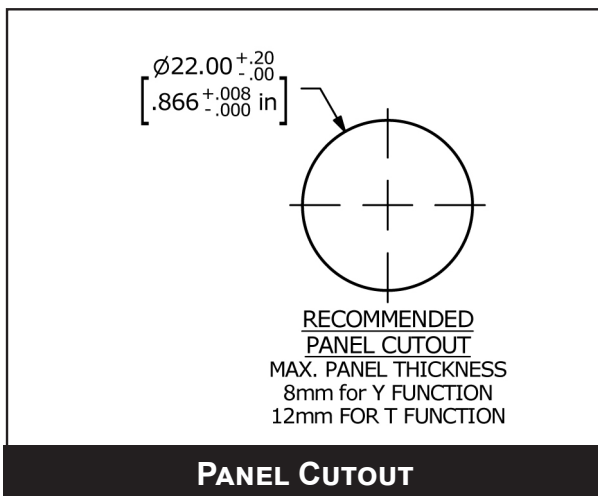
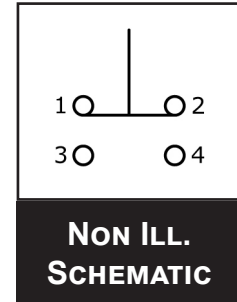
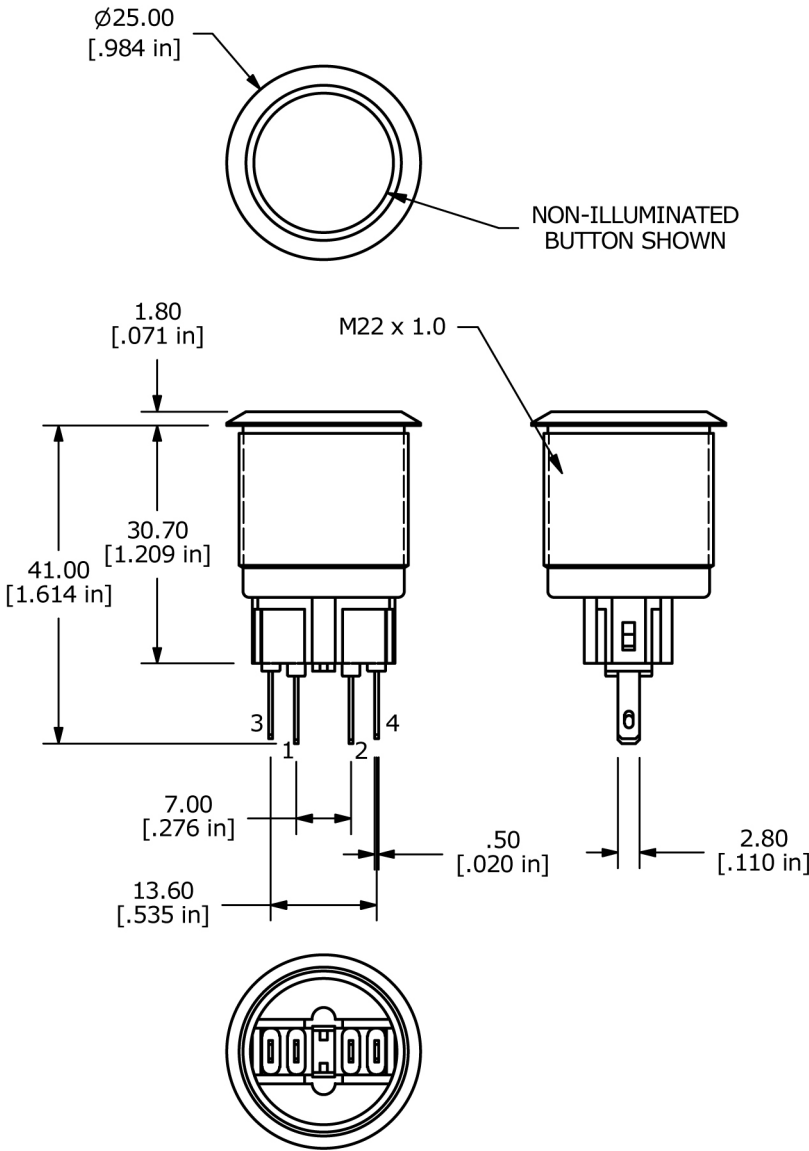
www.e-switch.com

800.867.2717

2

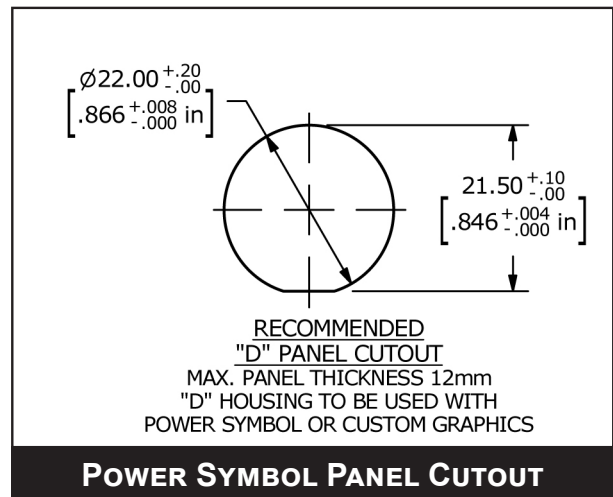
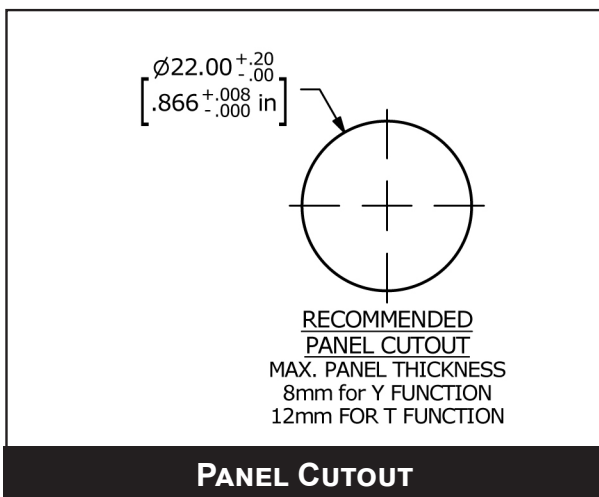
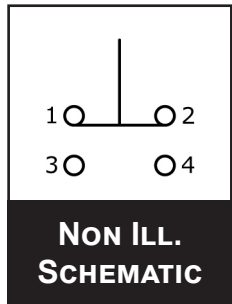
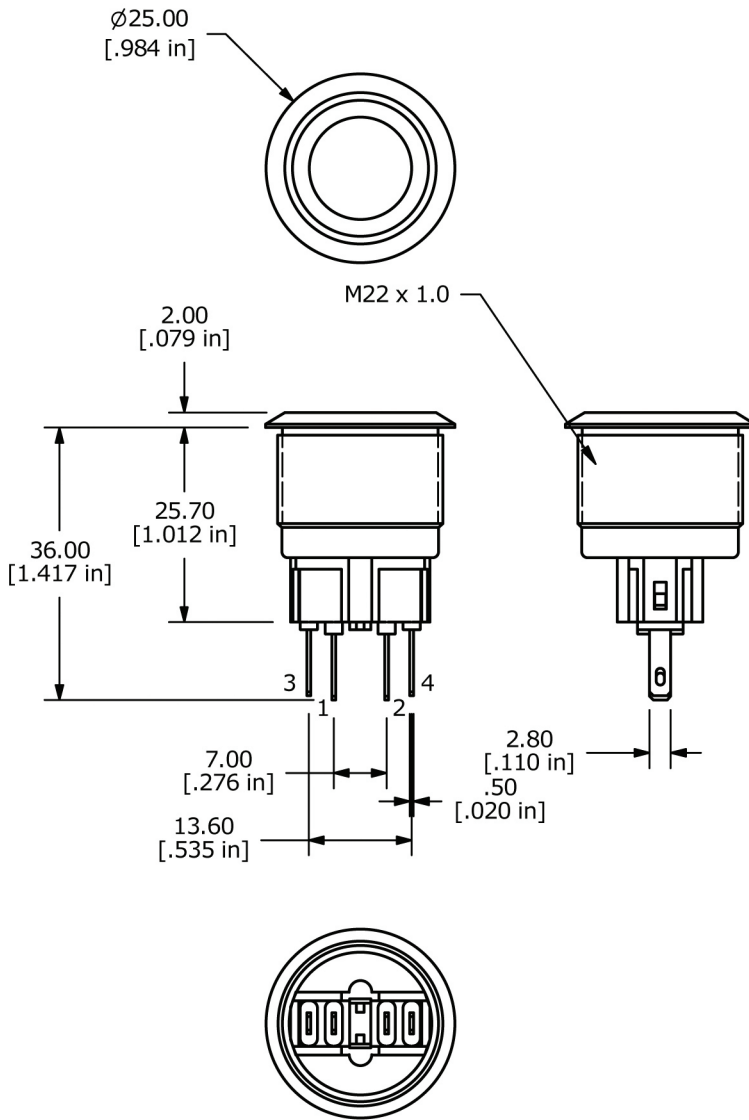
PV7 SERIES ANTI-VANDAL SWITCH

NON ILLUMINATED T FUNCTION



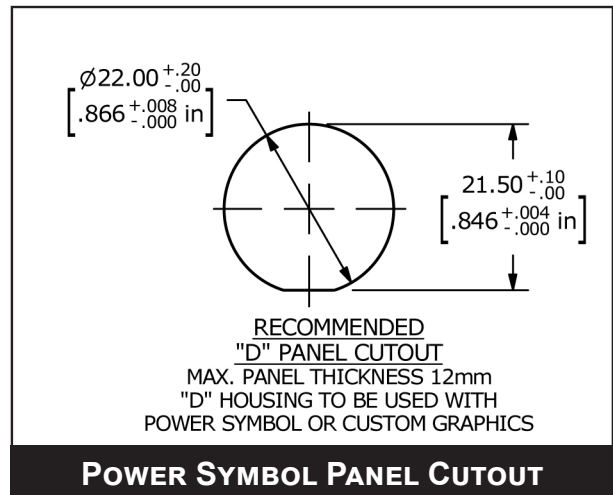
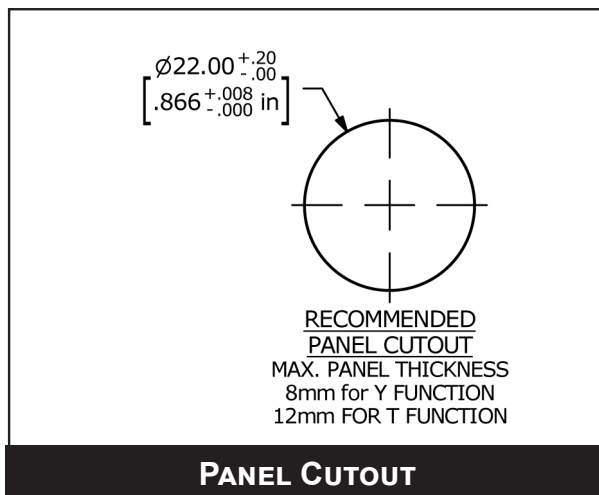
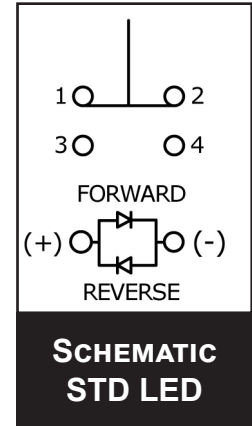
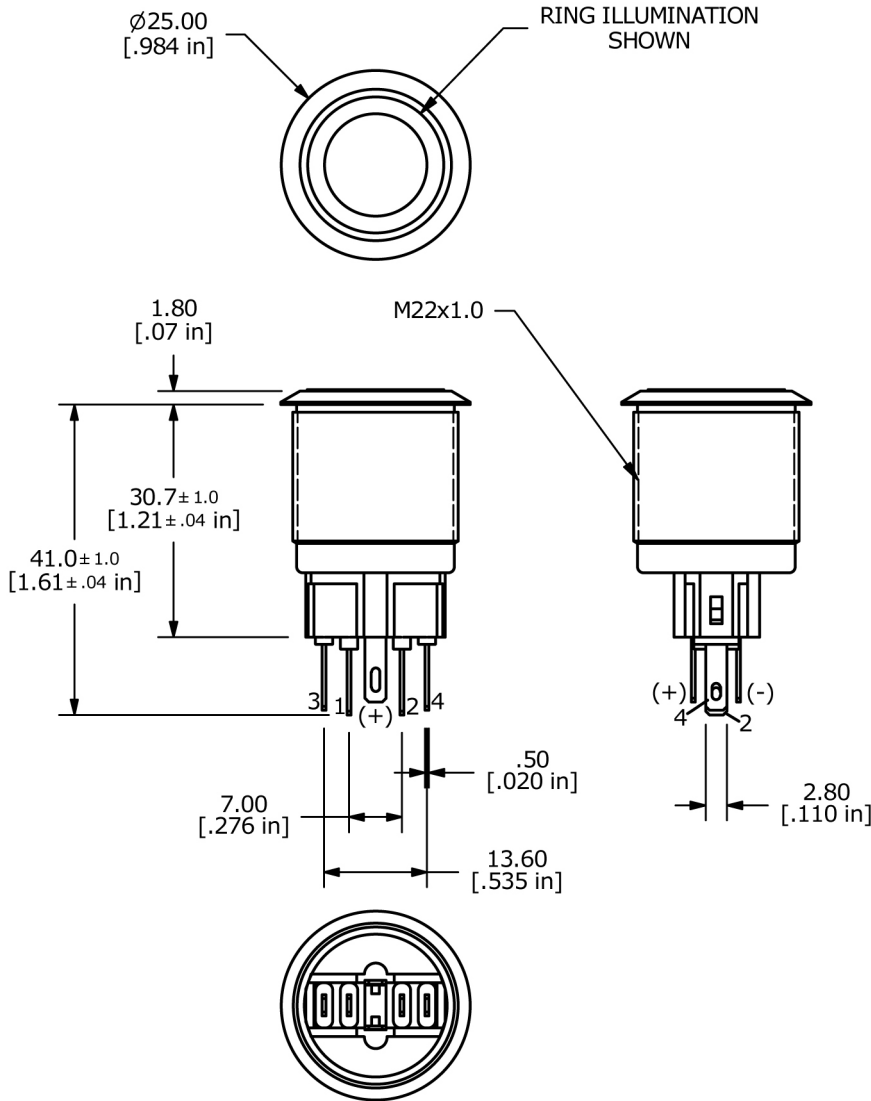
PV7 SERIES ANTI-VANDAL SWITCH

NON ILLUMINATED Y FUNCTION



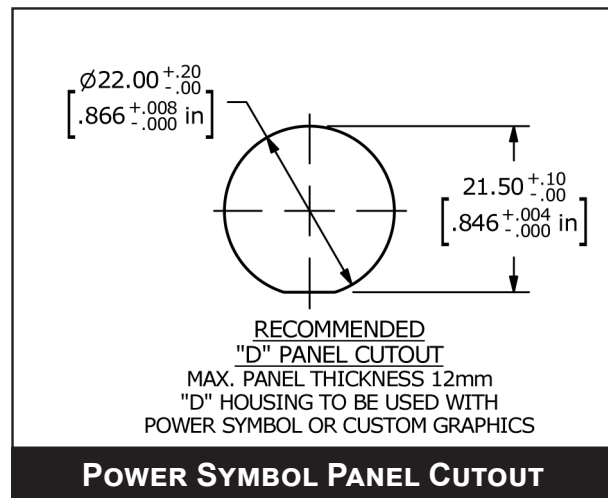
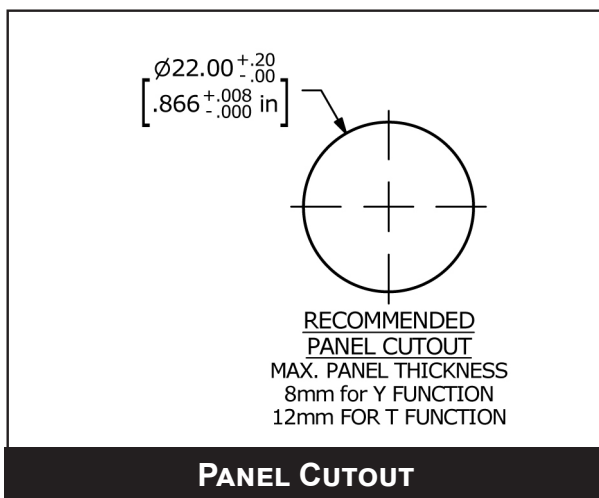
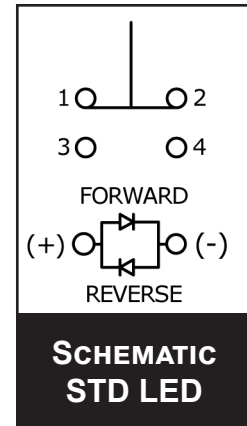
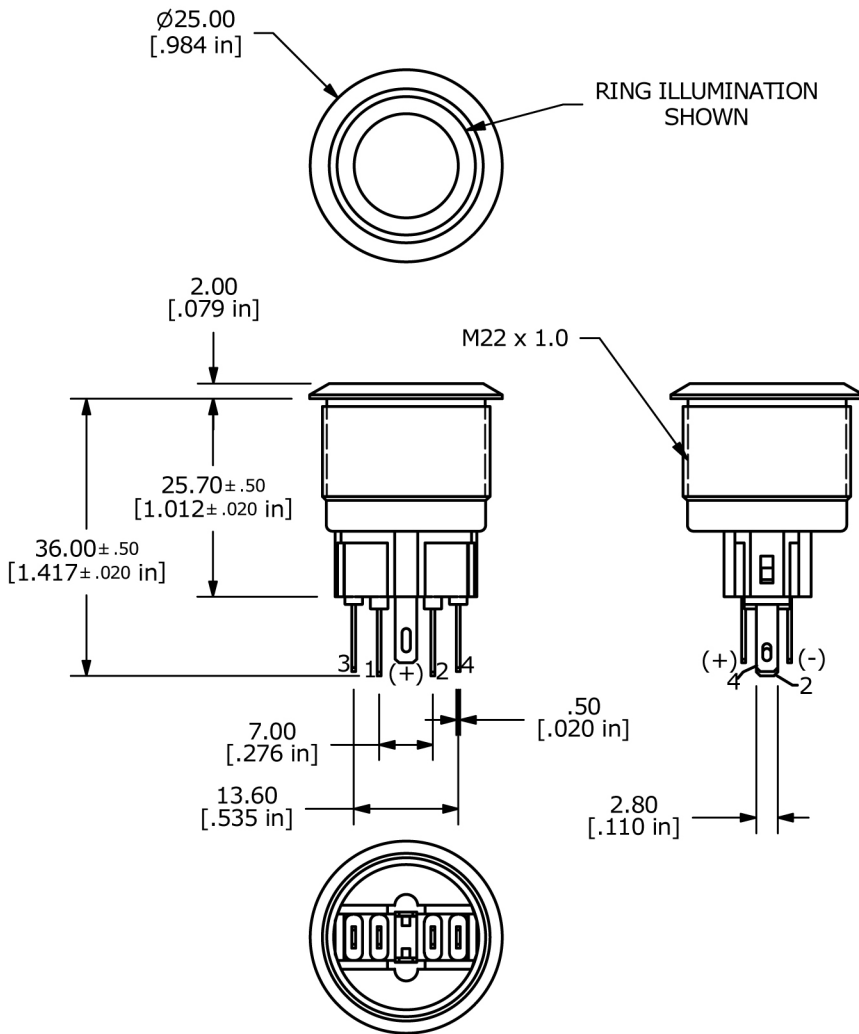
PV7 SERIES ANTI-VANDAL SWITCH

STANDARD LED T FUNCTION



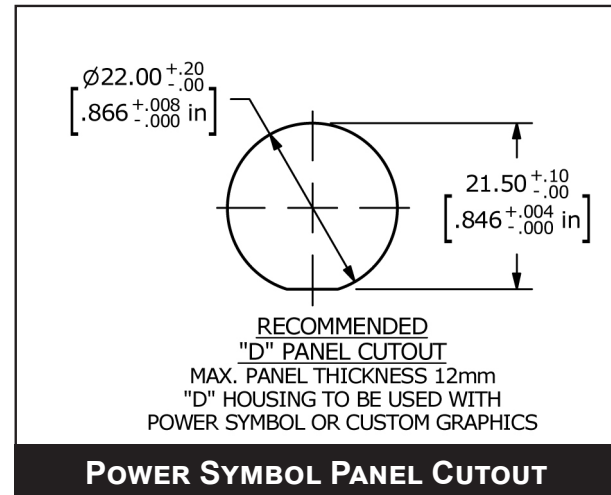
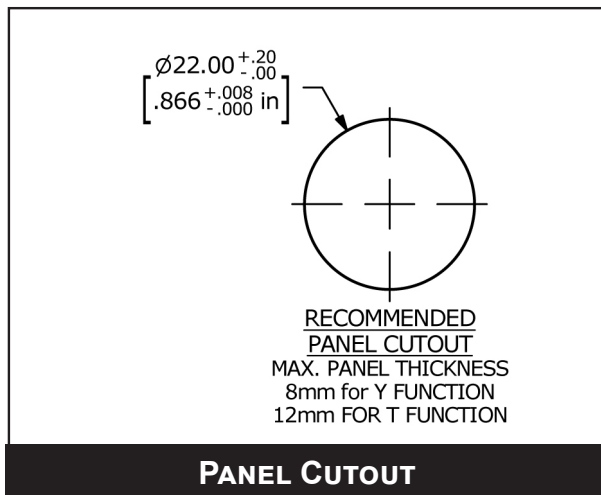
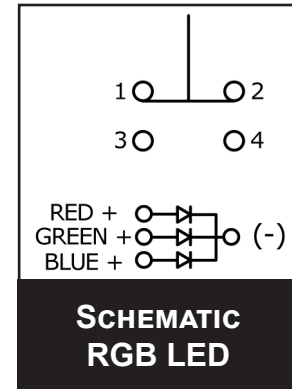
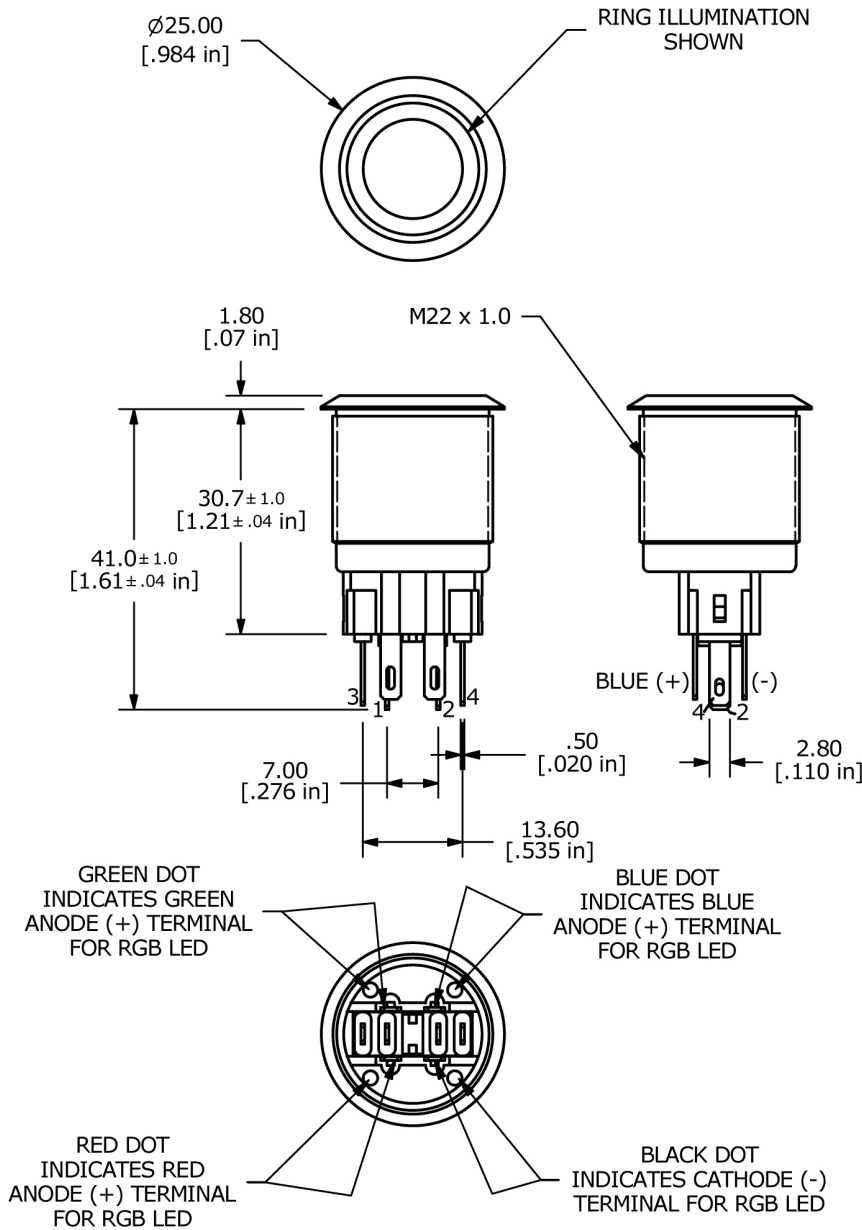
PV7 SERIES ANTI-VANDAL SWITCH

STANDARD LED Y FUNCTION



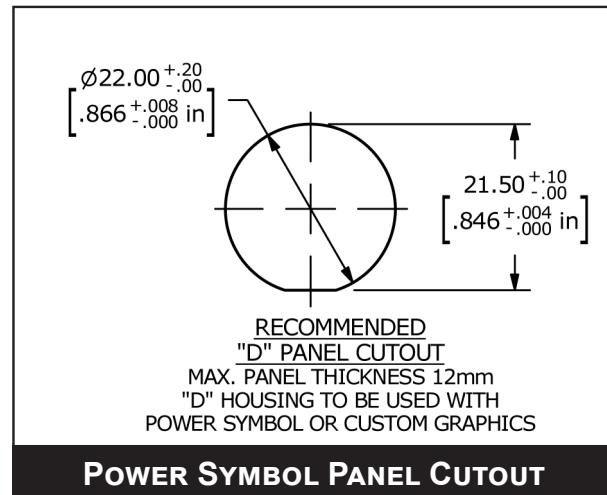
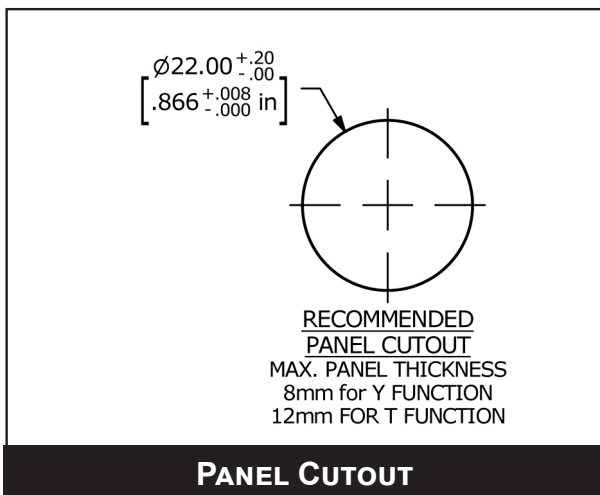
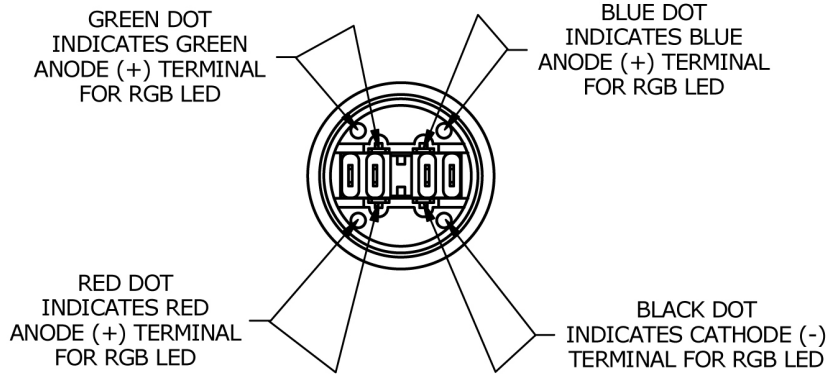
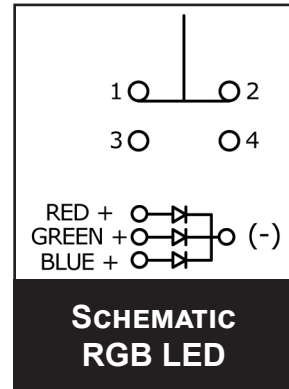
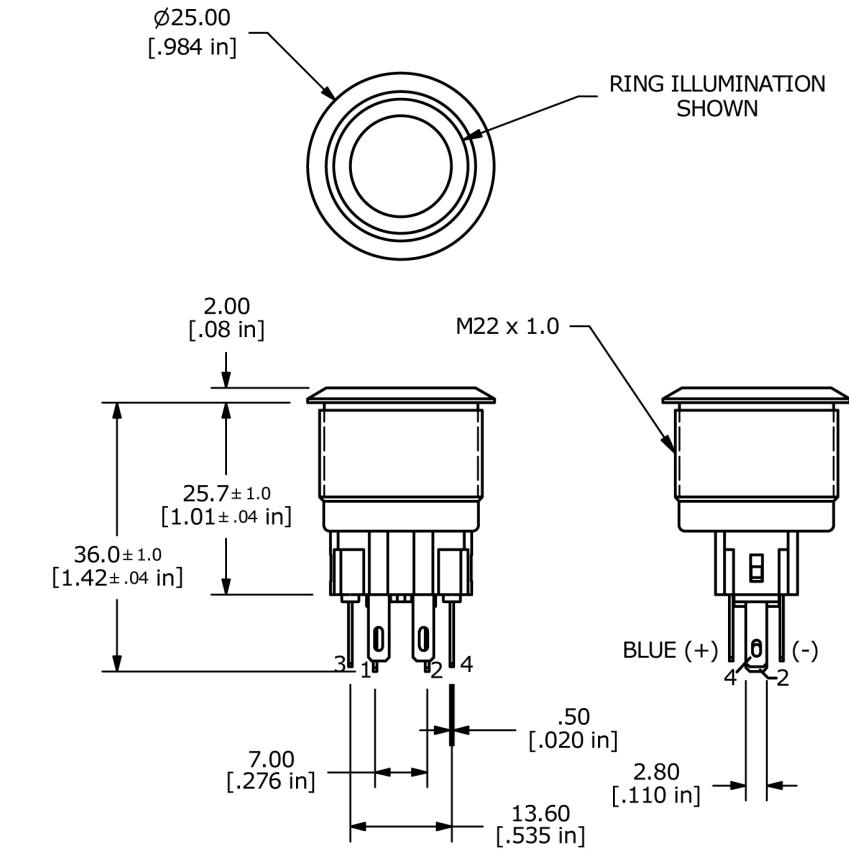
PV7 SERIES ANTI-VANDAL SWITCH

RGB LED T FUNCTION



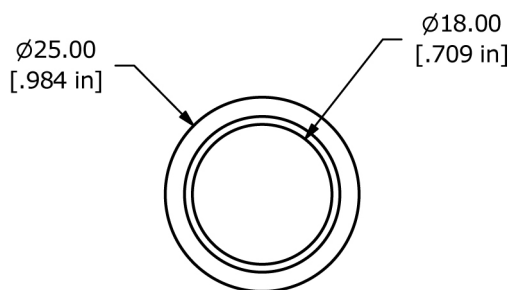
PV7 SERIES ANTI-VANDAL SWITCH

RGB LED Y FUNCTION

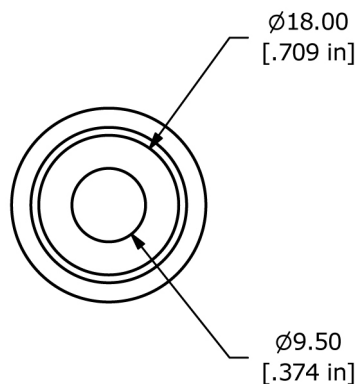


PV7 SERIES ANTI-VANDAL SWITCH

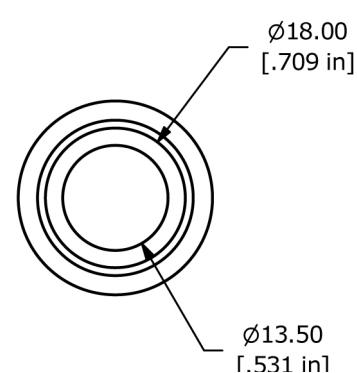
ACTUATOR OPTIONS



FLAT NON-ILLUMINATED



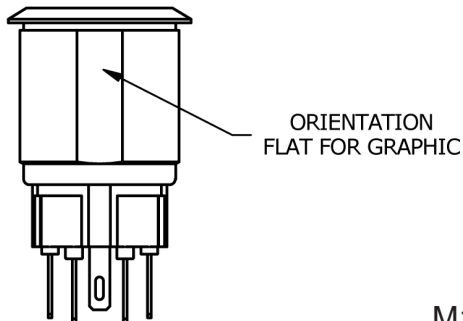
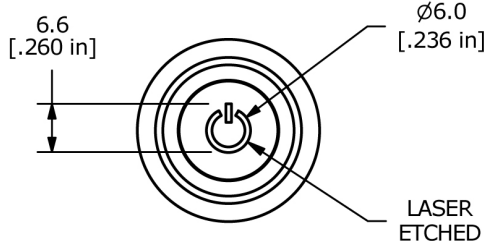
FLAT DOT ILLUMINATED



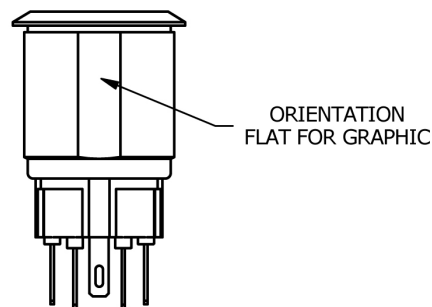
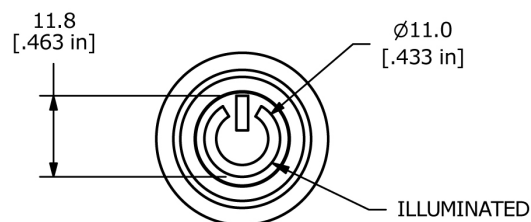
FLAT RING ILLUMINATED

GRAPHIC OPTIONS

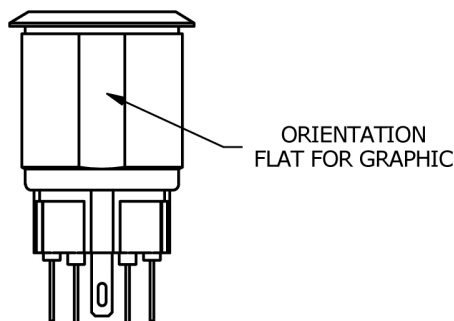
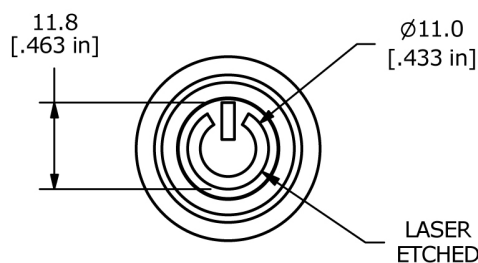
M01 GRAPHIC



M03 GRAPHIC



M16 GRAPHIC



ANTI-VANDAL SWITCHES

DETECTOR SWITCHES

DIP SWITCHES

KEYLOCK SWITCHES

NAVIGATION SWITCHES

PUSHBUTTON SWITCHES

ROCKER SWITCHES

ROTARY SWITCHES

SLIDE SWITCHES

SNAP ACTION SWITCHES

TACTILE SWITCHES

TOGGLE SWITCHES

CAP OPTIONS



Mouser Electronics

Authorized Distributor

Click to View Pricing, Inventory, Delivery & Lifecycle Information:

E-Switch:

[PV7F2Y0SS-3Q1/ACC-N01-8](#) [PV7F2T0SS-324](#) [PV7F2Y0SS-231](#) [PV7F2Y0SS-315](#) [PV7F2Y0SS-324](#) [PV7F2Y0SS-325](#) [PV7F2Y0SS-335](#) [PV7F2Y0SS-344](#) [PV7F2Y0SS-354](#) [PV7F2Y0SS-355](#) [PV7F2Y0SS-311](#) [PV7F2T0SS-311](#) [PV7F2T0SS-341](#) [PV7F2T0SS-331](#) [PV7F2Y0SS-331](#) [PV7F2Y0SS-341](#) [PV7F2T0SS-344](#) [PV7F2Y0SS](#) [PV7F2Y0SS-241](#) [PV7F2Y0SS-351](#) [PV7F2Y0SS-3L4](#) [PV7F2Y0SS-3Q1](#) [PV7F2T0SS-231](#) [PV7F2T0SS-3G3](#) [PV7F2Y0SS-314](#) [PV7F2T0SS-316](#) [PV7F2T0SS](#) [PV7F2T0SS-325](#) [PV7F2T0SS-355](#) [PV7F2T0SS-314](#) [PV7F2T0SS-335](#) [PV7F2T0SS-345](#) [PV7F2T0SS-315](#) [PV7F2Y0SS-321](#) [PV7F2T0MM344M03](#) [PV7F2T011-311](#) [PV7F2Y011-311](#) [PV7F2T0SS-313](#) [PV7F2Y0SS-313](#) [PV7F2T0SS-301](#) [PV7F2Y0SS-343](#) [PV7F2Y0SS-3G4](#) [PV7F2Y011-3R3](#) [PV7F2Y0SS-3K1-M03](#) [PV7F2Y0SS-341-M03](#)