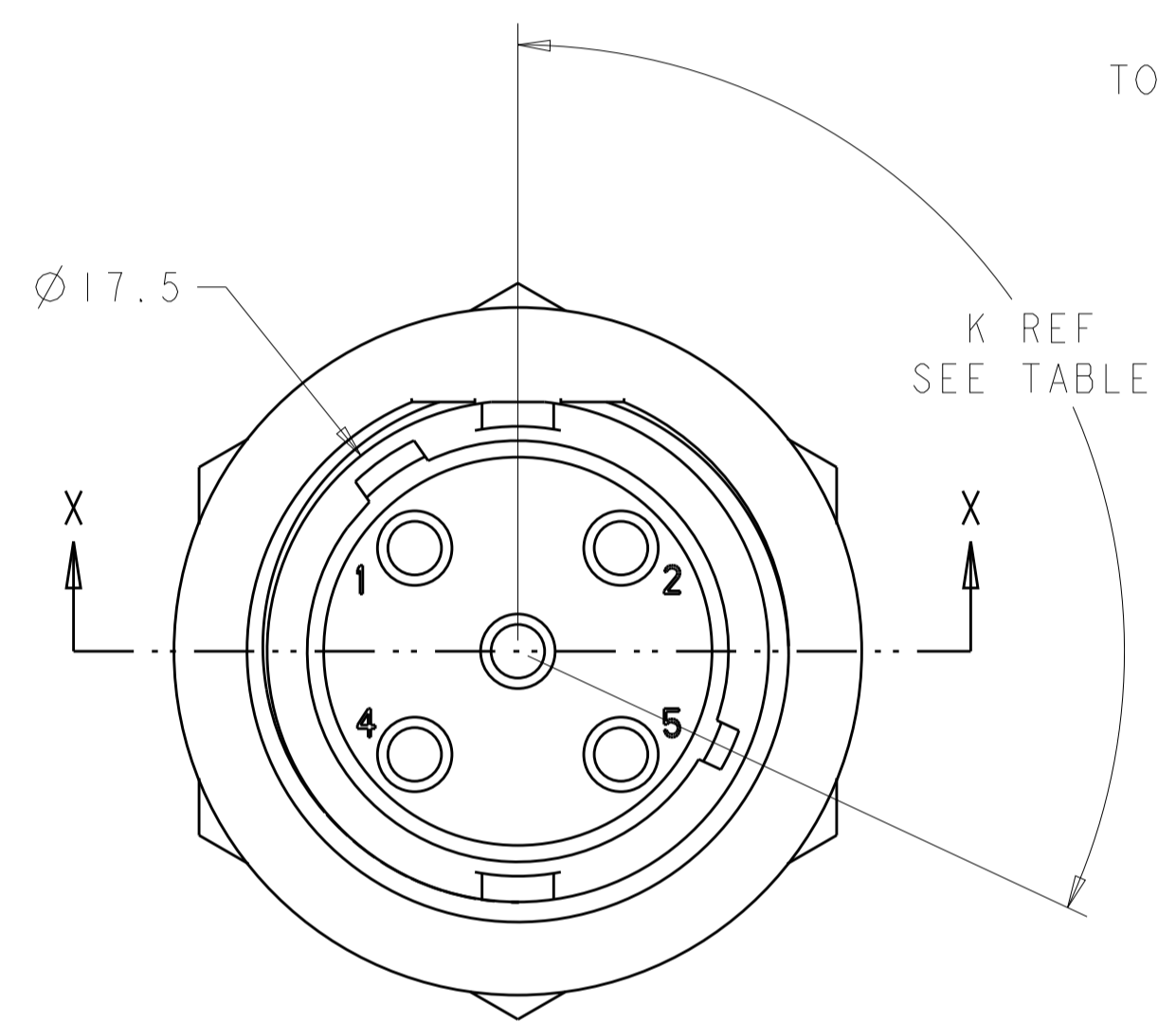
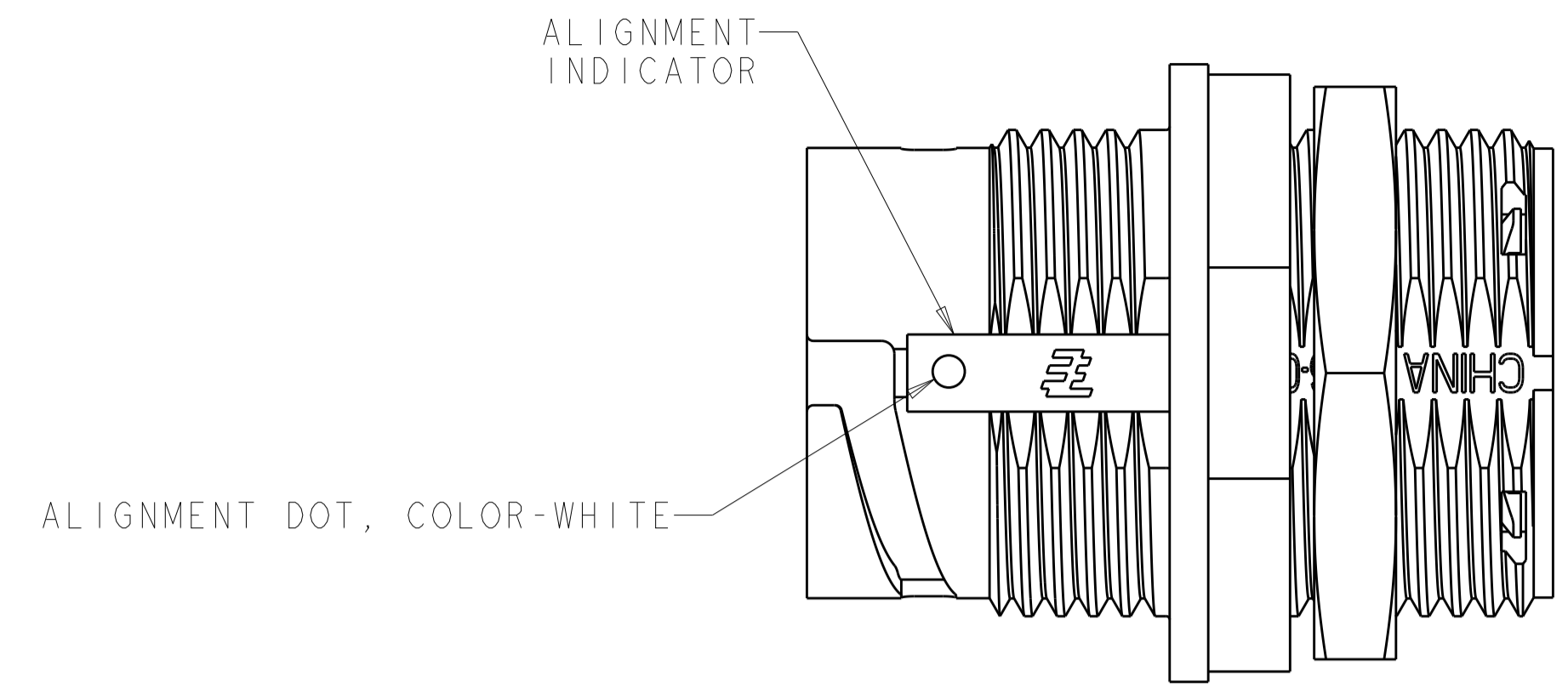
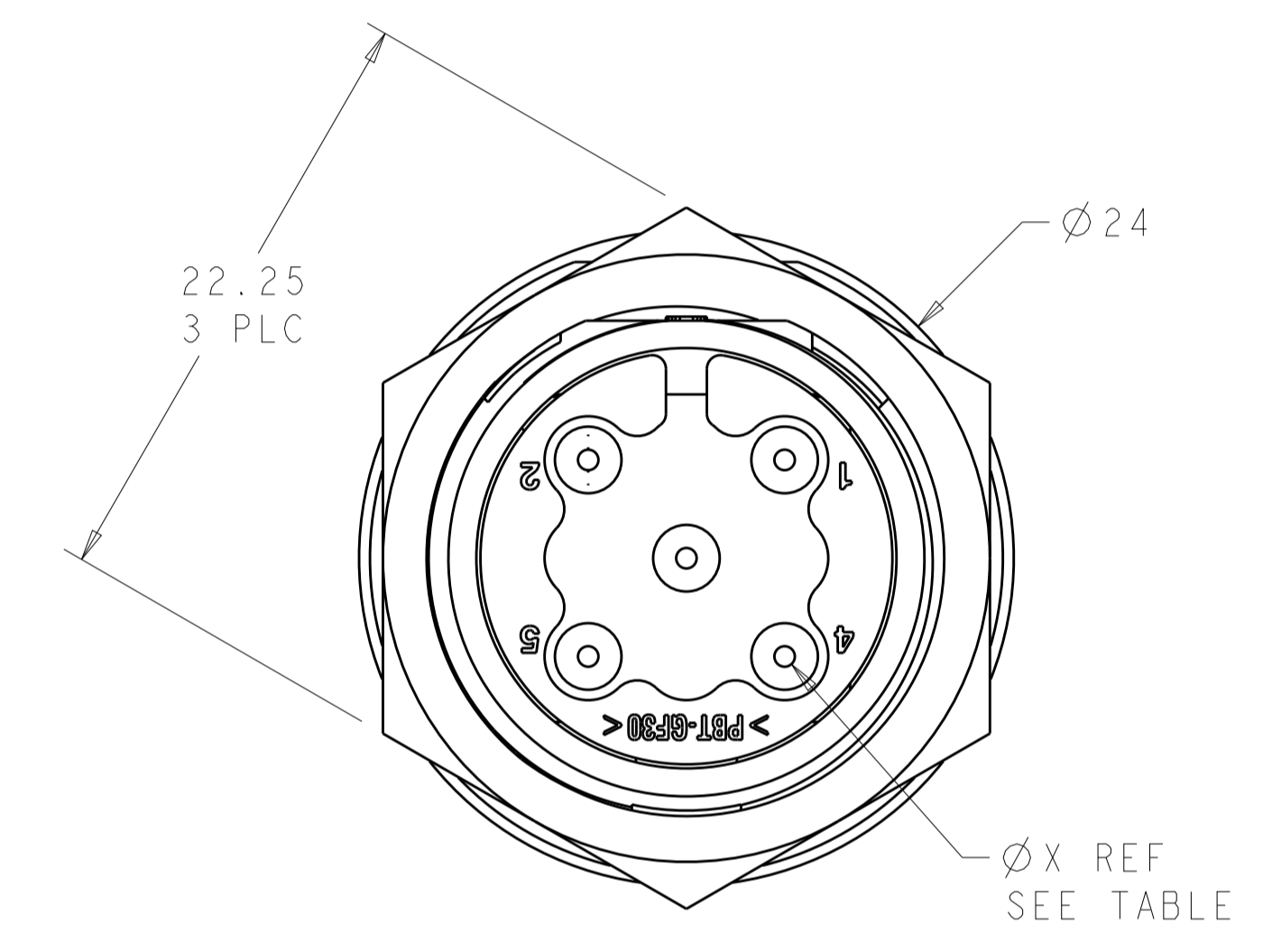
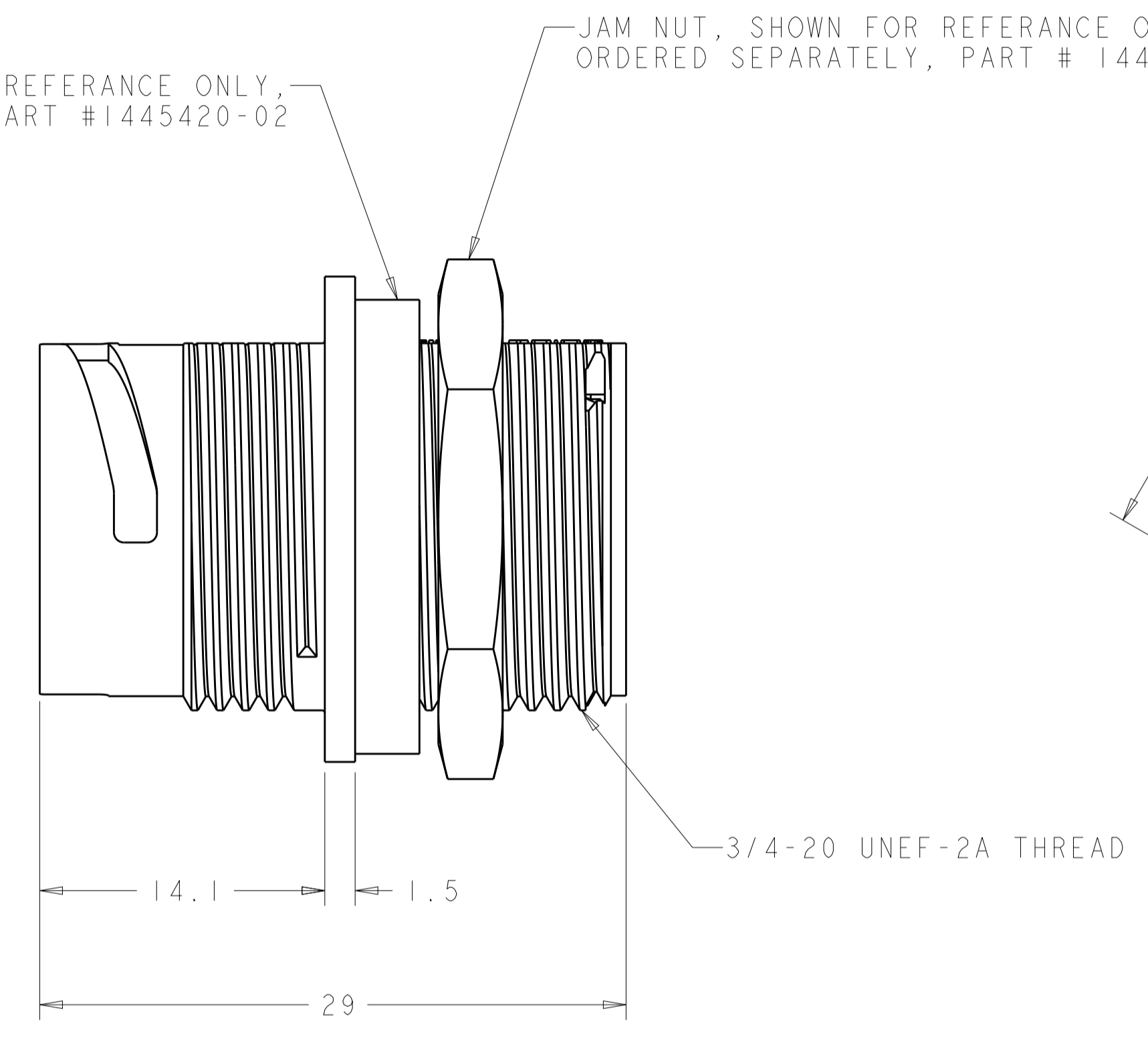


REVISIONS				
P.	LTM	DESCRIPTION	DATE	APVD
B2		REVISED PER ECO-15-010004	13JUL2015	NK MZ
C		REVISED PER ECO-16-018352	24MAR2017	RS MZ

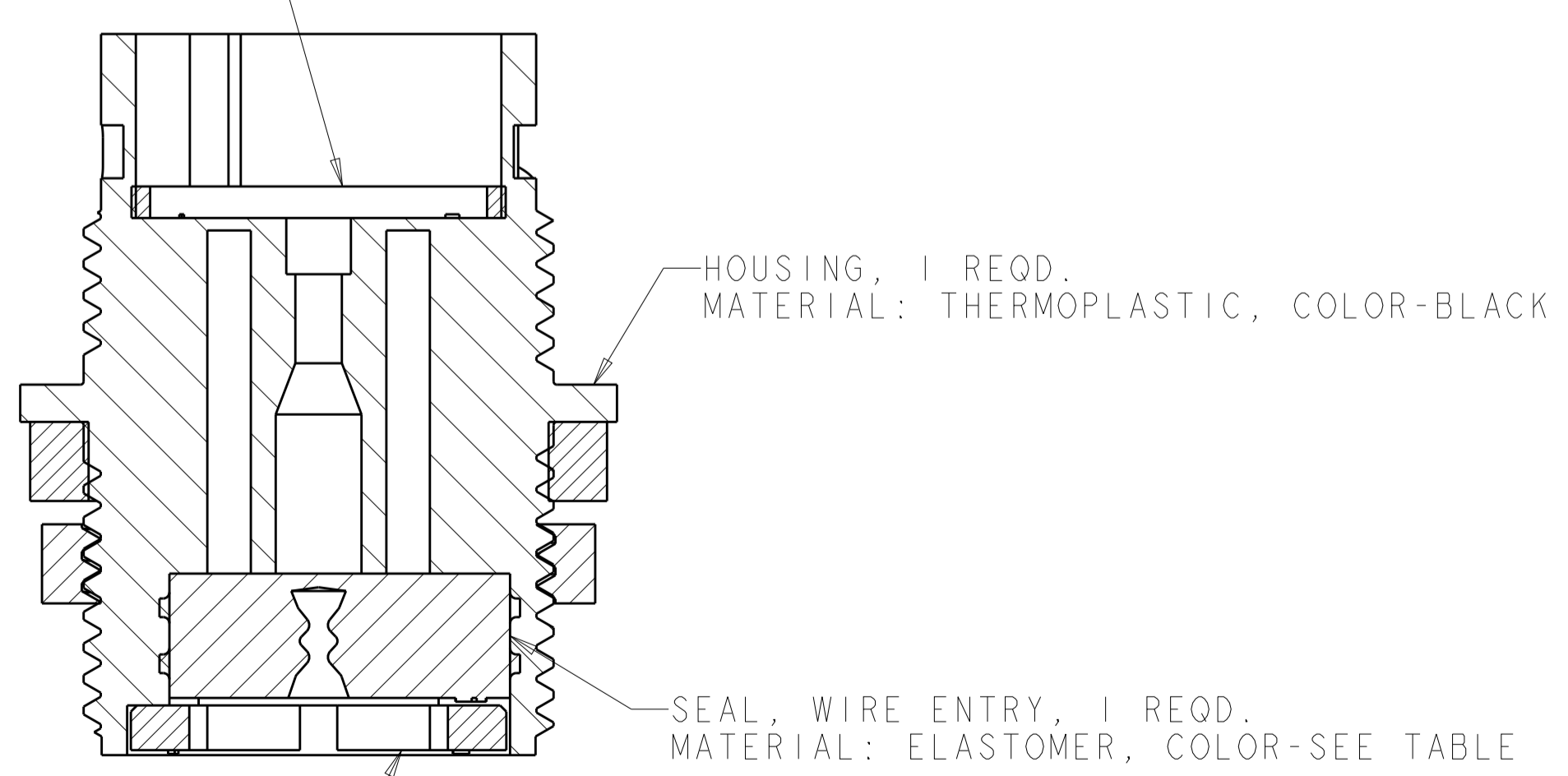


SEAL, PANEL; SHOWN FOR REFERENCE ONLY, TO BE ORDERED SEPARATELY, PART # 1445420-02

JAM NUT, SHOWN FOR REFERENCE ONLY, TO BE ORDERED SEPARATELY, PART # 1445904-1

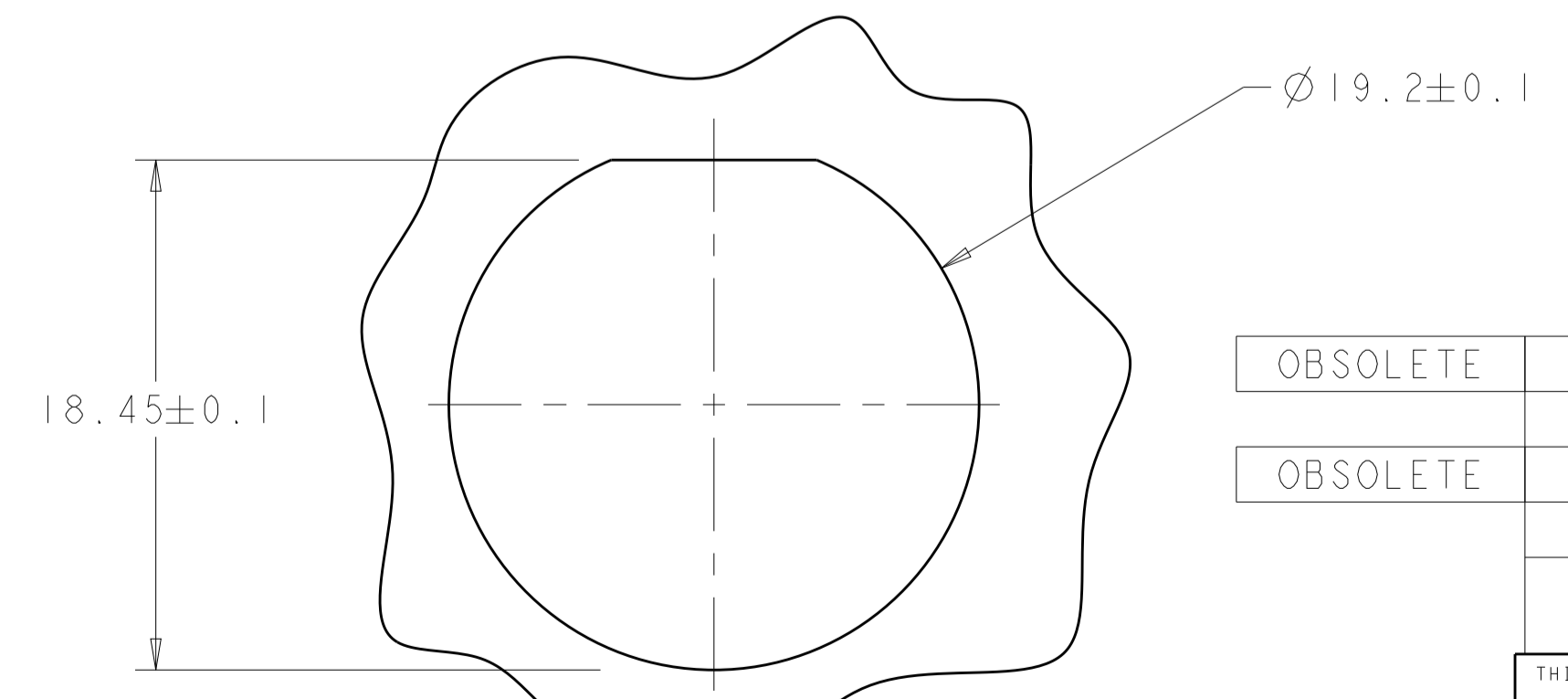


SEAL, PERIPHERAL, 1 REQD. MATERIAL: ELASTOMER, COLOR-GRAY



RETAINER, SEAL, 1 REQD. MATERIAL: THERMOPLASTIC, COLOR-BLACK

1. CONNECTOR CAN BE FRONT OR REAR PANEL MOUNTED.
 △ MAX PANEL THICKNESS - 3.18



OBSELETE	YELLOW	Ø 0.75	135°	1445824-04
	NATURAL	Ø 1.5	115°	1445824-03
OBSELETE	NATURAL	Ø 1.5	135°	1445824-02
	YELLOW	Ø 0.75	115°	1445824-01
SEAL, WIRE ENTRY COLOR		Ø X REF	K REF	PART NUMBER

THIS DRAWING IS A CONTROLLED DOCUMENT. DWN: SHANE WIESE, 15OCT2001
 CHK: G. DOUTY, 15OCT2001
 APVD: H. WAKEEM, 13JUN2003

TE Connectivity

NAME: ASSEMBLY, RECEPTACLE, SIZE 11, 5 POSITION, PANEL MOUNT, SEALED, MINI CPC

SIZE: A100779 CAGE CODE: 1445824 DRAWING NO: 1445824-01

MATERIAL: SEE CALLOUT FINISH: SEE CALLOUT WEIGHT: -

CUSTOMER DRAWING SCALE: 4:1 SHEET 1 OF 1 REV C

Mouser Electronics

Authorized Distributor

Click to View Pricing, Inventory, Delivery & Lifecycle Information:

[TE Connectivity:](#)

[1445824-1](#)