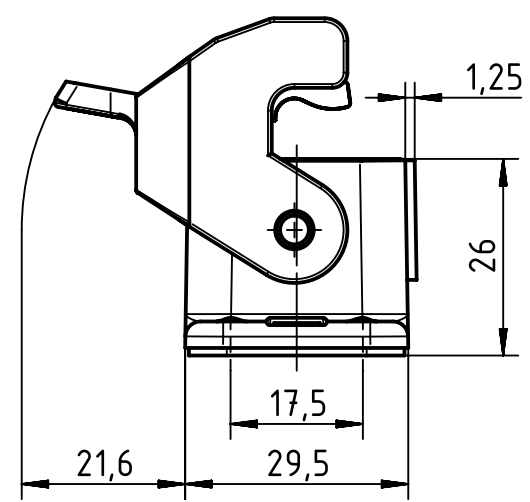
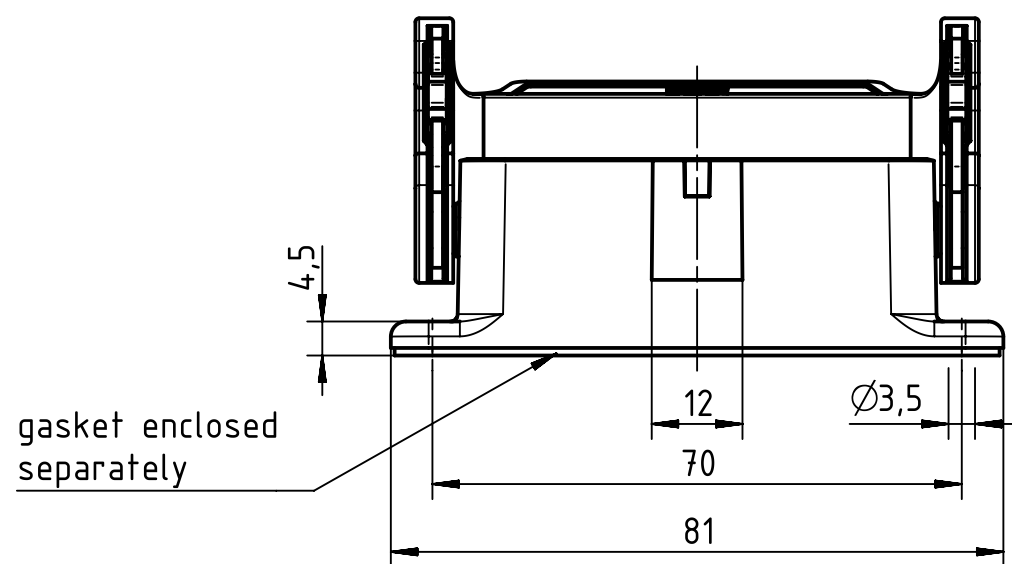
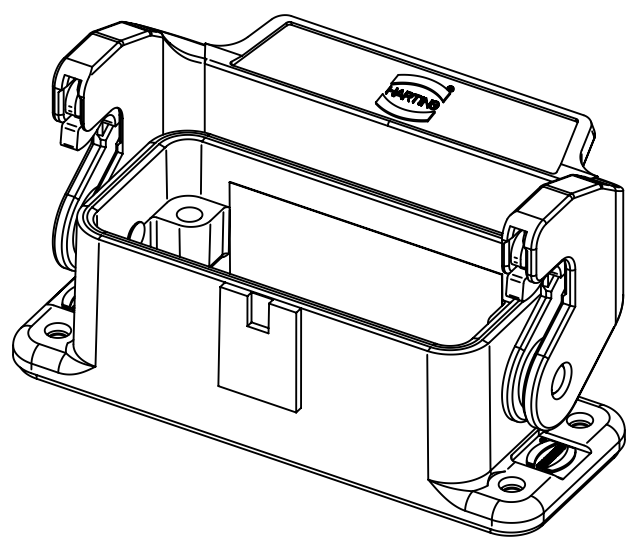
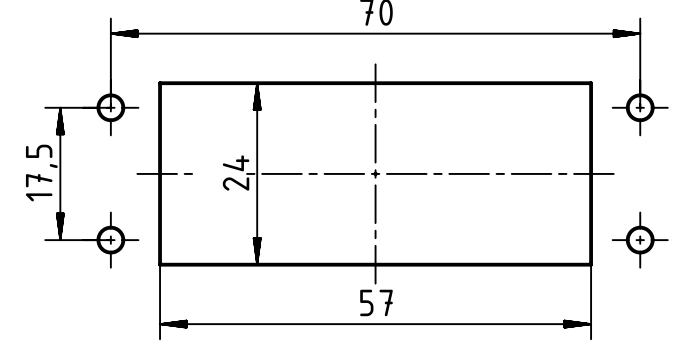


1 2 3 4 5 6

A  
B  
C  
D



panel cut out  
70



	All Dimensions in mm Original Size DIN A4		Scale 1:1		Free size tol.		Ref. Sub. TB 09 20 010 0301 v. 16.09.10			
	All rights reserved Department EL PD - DE		Created by RULLKOETTER		Inspected by BERGHORN		Standardisation TIEMANNA			
HARTING Electric GmbH & Co. KG D-32339 Espelkamp		Title Han A Base Panel 1 Lever					Date 2014-03-03		State Final Release	
		Type TB					Number 09 20 010 0301		Doc-Key / ECM-Nr. 100195720/UGD/004/A 500000071993	
							Rev. A		Page 1/1	

# Mouser Electronics

Authorized Distributor

Click to View Pricing, Inventory, Delivery & Lifecycle Information:

[HARTING:](#)

[09200100301](#)