

Customer Information Sheet

DRAWING No.: R6706-00/R6718-00

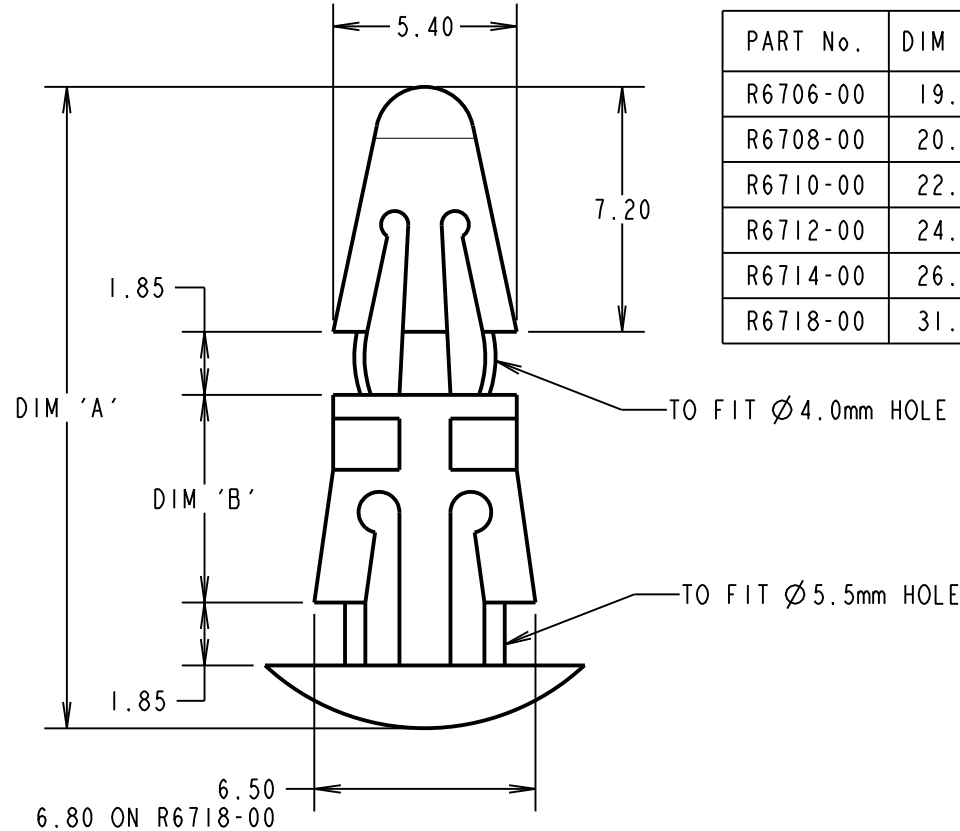
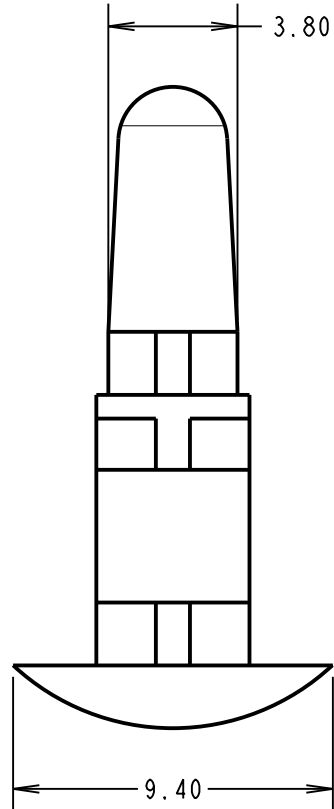
IF IN DOUBT - ASK

Ⓒ

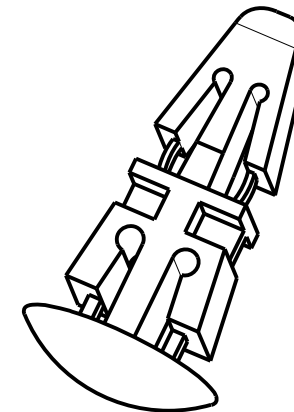
NOT TO SCALE

THIRD ANGLE PROJECTION

ALL DIMENSIONS IN mm



PART No.	DIM 'A'	DIM 'B'	DIM 'C'	DIM 'D'	DIM 'E'
R6706-00	19.00	6.10	9.40	5.40	3.80
R6708-00	20.80	8.00	9.50	5.10	5.10
R6710-00	22.70	9.80	9.50	5.10	5.10
R6712-00	24.80	12.00	9.52	5.10	5.10
R6714-00	26.80	14.00	9.52	5.10	5.10
R6718-00	31.00	18.00	9.50	5.40	3.70



SB	4	31.10.14	12638
NAME	ISS.	DATE	C/NOTE
APPROVED:		S.BENNETT	
CHECKED:		M.PLESTED	
DRAWN:		D.BECK	
CUSTOMER REF.:			
ASSEMBLY DRG:			

NOTES:

1. ALL TOLERANCES ARE ± 0.25 UNLESS OTHERWISE STATED.
2. RECOMMENDED PCB THICKNESS = 0.5-1.8mm.

HARWIN

www.harwin.com
technical@harwin.com

THIS DRAWING AND ANY INFORMATION OR DESCRIPTIVE MATTER SET OUT HEREON ARE CONFIDENTIAL AND COPYRIGHT PROPERTY OF THE HARWIN GROUP AND MUST NOT BE DISCLOSED, LOANED, COPIED OR USED FOR MANUFACTURING, TENDERING OR FOR ANY OTHER PURPOSE WITHOUT THEIR WRITTEN PERMISSION.

TOLERANCES
~~X = ± 1 mm~~
~~X.X = ± 0.25 mm~~
~~X.XX = ± 0.10 mm~~
~~X.XXX = ± 0.01 mm~~
 ANGLES = $\pm 5^\circ$
 UNLESS STATED

MATERIAL:
 NYLON 66 WHITE UL94V-2

FINISH: CLEAN

S/AREA: mm²

TITLE:
 REVERSE SELF LOCKING SPACER

DRAWING NUMBER:
 R6706-00/R6718-00

SHT
2 OF 2

Mouser Electronics

Authorized Distributor

Click to View Pricing, Inventory, Delivery & Lifecycle Information:

[Harwin:](#)

[R6706-00](#) [R6712-00](#) [R6718-00](#) [R6714-00](#) [R6710-00](#) [R6708-00](#)