

A

B

C

D

E

F

A

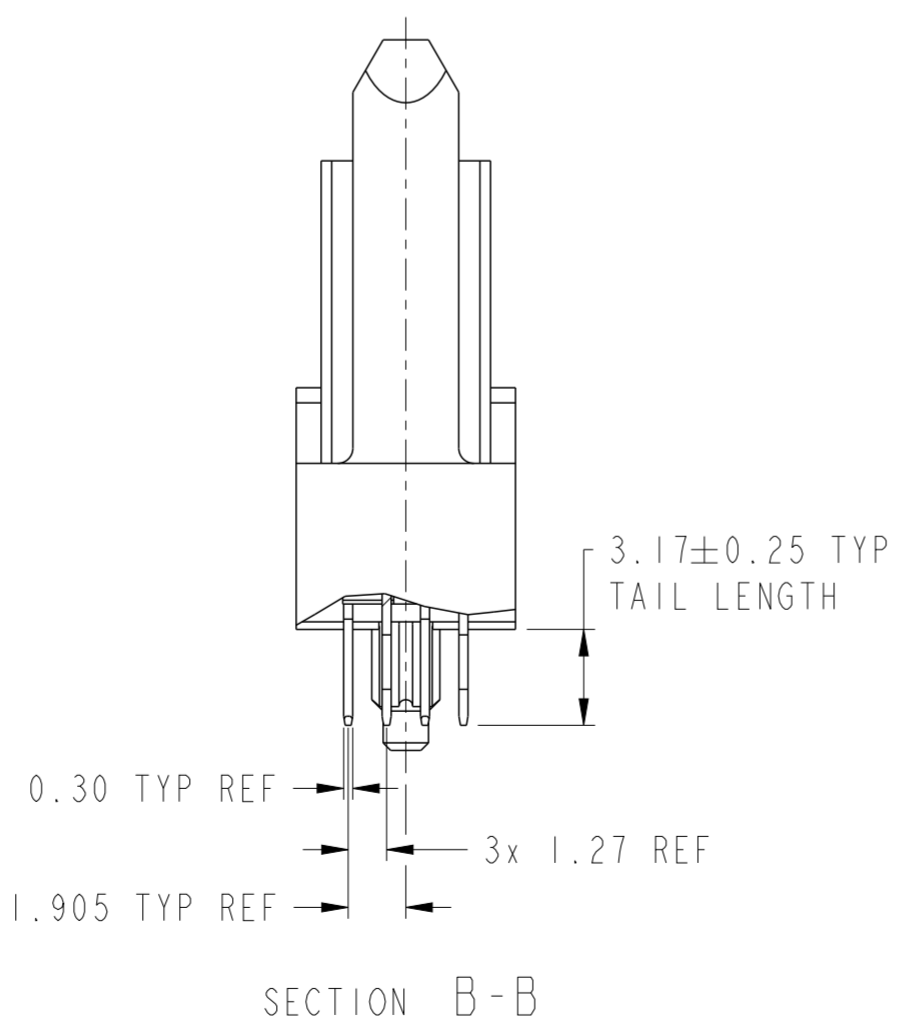
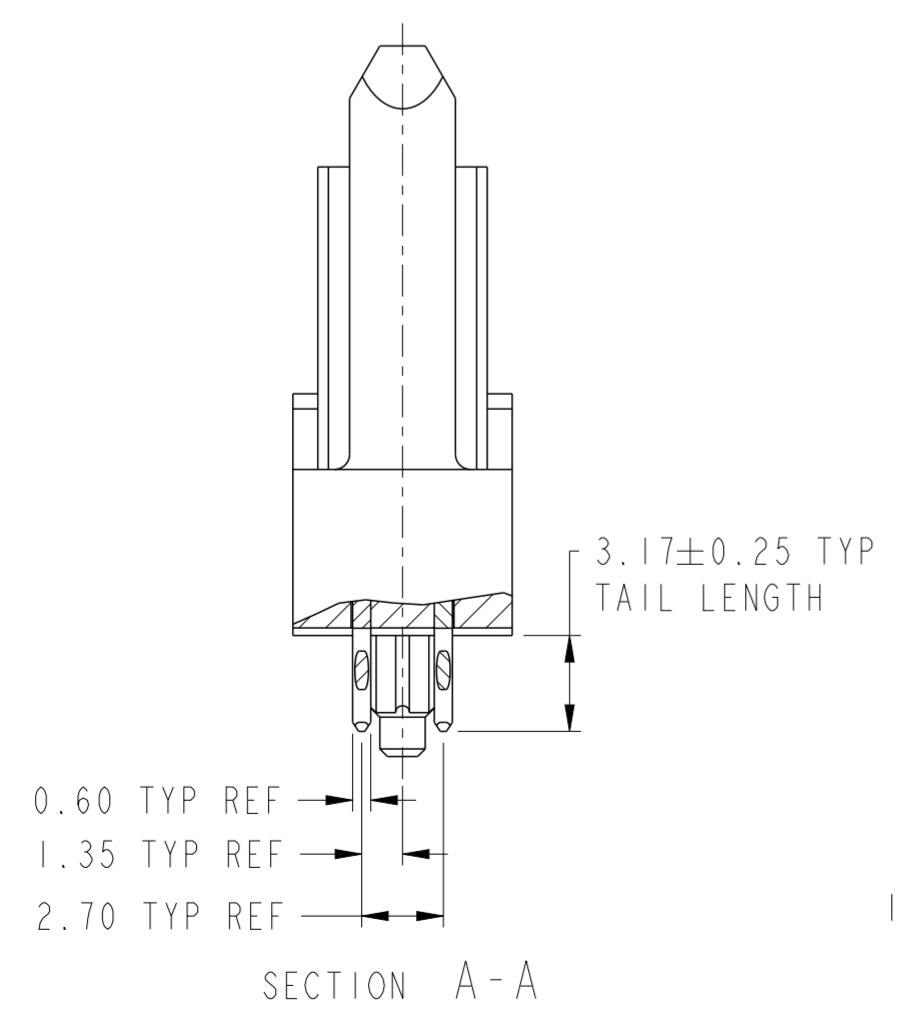
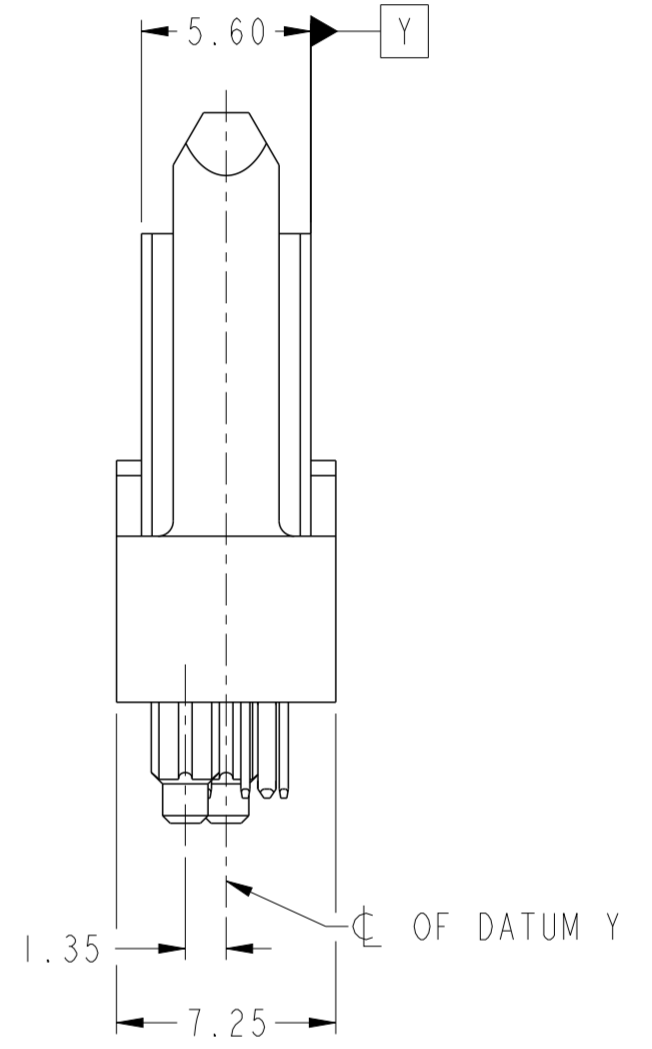
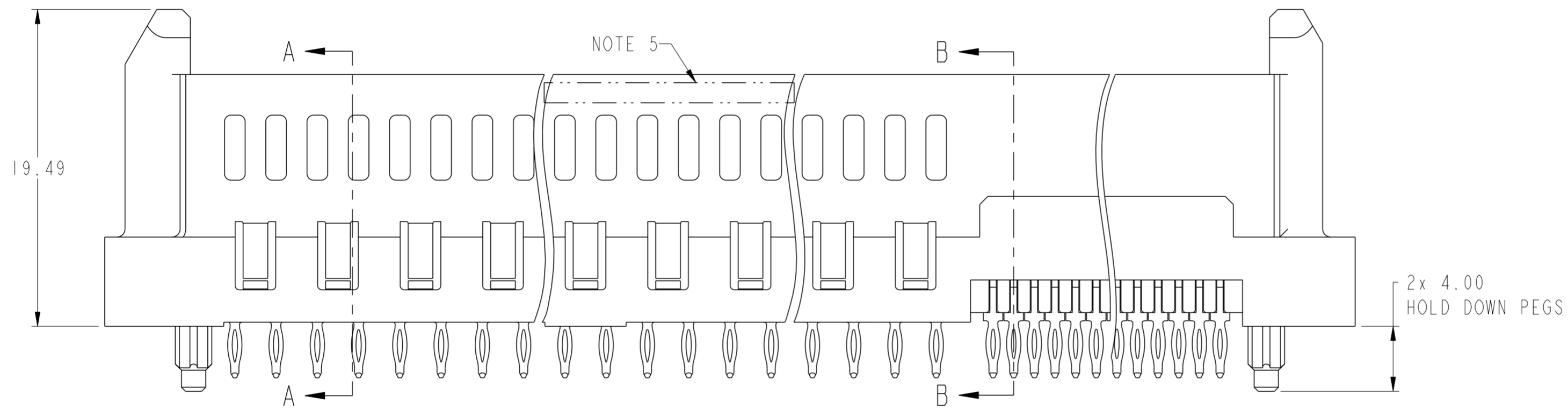
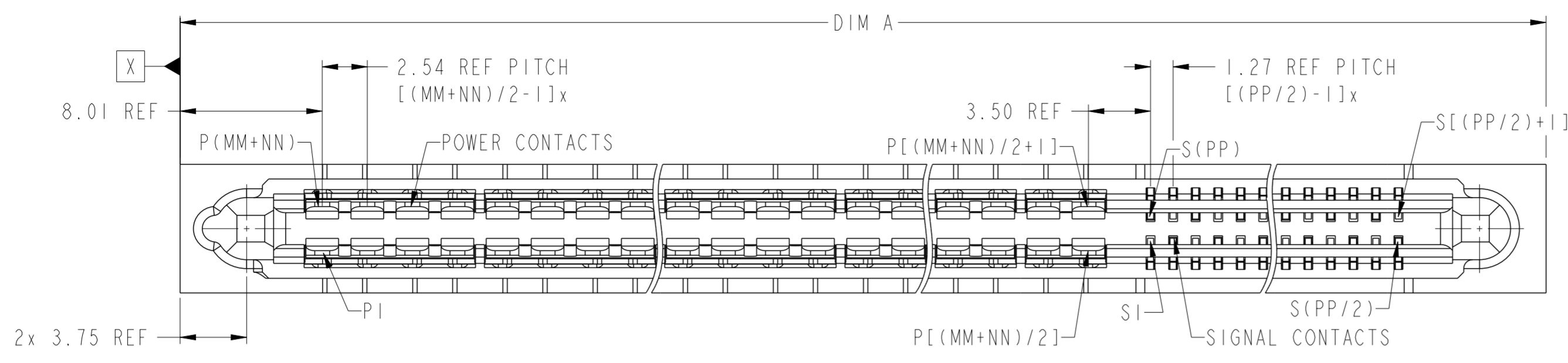
B

C

D

E

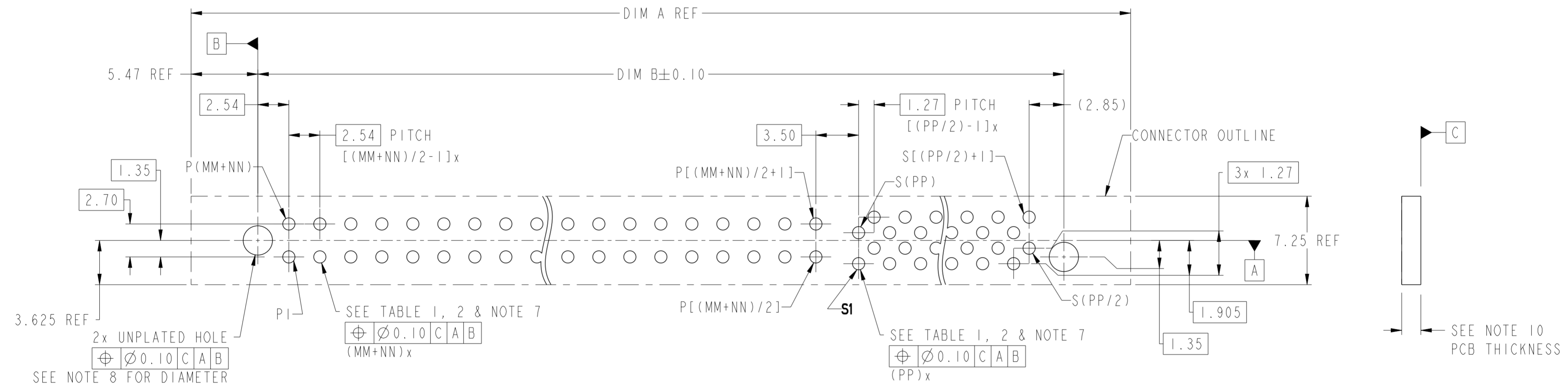
F



spec ref	dr	Julia Wang	2014/03/07	projection	MM	size	A2	scale	4:1
tolerance std	eng	Feng Zheng	2016/09/22			ecn no	ELX-DG-24961-1	rel level	Released
ISO 406	chr	Terris Liu	2016/09/22						
ISO 1101	appr	Pei-Ming Zheng	2016/09/22	product family		dwg no	10125023	rev	B
surface	linear	0.X	±0.5	<b>Amphenol FCI</b>		HPCE BTB VT RECPT WITH GUIDE POST CONFIG. P+S - UNIVERSAL DRAWING		cat. no.	Product - Customer Drw
ISO 1302	angular	0°	±2°			sheet 1 of 3			

CONTACT TYPE	TOP LAYER DESCRIPTION	TABLE 1 (HPCE / SOLDER TAILS) PLATED THROUGH-HOLE REQUIREMENTS				
		DRILLED HOLE DIAMETER	COPPER THICKNESS	TIN-LEAD THICKNESS	TIN THICKNESS	FINISHED HOLE DIAMETER
POWER & SIGNAL	TIN-LEAD	1.10-1.16 (1.15 DRILL)	0.025 - 0.050	0.005 - 0.015	--	0.94 - 1.10
	IMMERSION TIN	1.10-1.16 (1.15 DRILL)	0.025 - 0.050	--	0.9 - 1.5um	0.94 - 1.10
	COPPER (SEE NOTE 7)	1.10-1.16 (1.15 DRILL)	0.025 - 0.050	--	--	0.94 - 1.10

CONTACT TYPE	TOP LAYER DESCRIPTION	TABLE 2 (HPCE / PRESS-FIT TAILS) PLATED THROUGH-HOLE REQUIREMENTS				
		DRILLED HOLE DIAMETER	COPPER THICKNESS	TIN-LEAD THICKNESS	TIN THICKNESS	FINISHED HOLE DIAMETER
POWER & SIGNAL	TIN-LEAD	0.81-0.86 (0.85 DRILL)	0.025 - 0.050	0.005 - 0.015	--	0.65 - 0.80
	IMMERSION TIN	0.81-0.86 (0.85 DRILL)	0.025 - 0.050	--	0.9 - 1.5um	0.70 - 0.80
	COPPER (SEE NOTE 7)	0.81-0.86 (0.85 DRILL)	0.025 - 0.050	--	--	0.70 - 0.80



spec ref	dr	Julia Wang	2014/03/07	projection	MM	size	A2	scale	4:1
tolerance std	eng	Feng Zheng	2016/09/22			ecn no	ELX-DG-24961-1	rel level	Released
ISO 406	chr	Terris Liu	2016/09/22						
ISO 1101	appr	Pai-Ming Zheng	2016/09/22						
surface	linear	0.X	±0.5			product family	-	cat. no.	-
ISO 1302	angular	0°	±2°	TITLE HPCE BTB VT RECPT WITH GUIDE POST CONFIG. P+S - UNIVERSAL DRAWING		div no	10125023	rev	B
				Product - Customer Drw		sheet 2 of 3			

Amphenol FCI

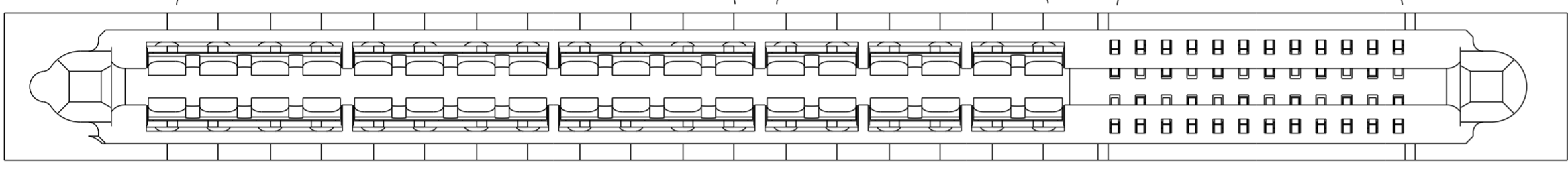
© 2016 AFCI

10125023 - MM NN PP - LF

LEAD FREE

TAIL TYPE NOTE 10	A	B
	STB	PF

4 BEAM POWER CONTACT (NEXT TO LEFT END)      2 BEAM POWER CONTACT (NEXT TO SIGNAL)      SIGNAL CONTACT (NEXT TO RIGHT END)



Example: The configuration above is 10125023-241224BLF  
 STD HPCE BTB VERT. PRESS-FIT RECEPT. 36P24S.  
 24P is 4 beam contact, 12P is 2 beam contact.

TABLE 4: PART NUMBER CODE. HPCE BTB STD VERT RECPT P+S CONFIG

NOTES:

- CONNECTOR MATERIALS:  
 HOUSING: HIGH TEMPERATURE THERMAL PLASTIC, BLACK  
 UL 94V-0 COMPLIANT  
 CONTACTS: HIGH PERFORMANCE COPPER ALLOY.
- CONTACT FINISH REF. GS-12-1125 SECTION 5.2.
- PRODUCT SPECIFICATION: GS-12-1125.
- APPLICATION SPECIFICATION: GS-20-0388.
- PART NUMBER AND DATE CODE TO BE MARKED ON THIS SURFACE.  
 THE MARK CAN BE OMITTED IF THERE IS NOT ENOUGH SPACE ON THIS SURFACE.
- PACKAGING MEETS FCI SPECIFICATION GS-14-2272.
- ALL HOLE SIZES ARE FINISHED HOLE SIZES.
- MOUNTING HOLES ARE UNPLATED:  
 Ø2.40 +/- 0.10 FOR PRESS-FIT TAILS  
 Ø2.18 +/- 0.03 FOR SOLDER TAILS
- PRESS FIT APPLICATION TOOL DRAWING: 10125182

- STB: SOLDER TO BOARD, 1.57-2.38mm PCB THICKNESS  
 PF: PRESS FIT, 1.57mm MINIMUM PCB THICKNESS.
- HOUSING COMPONENT WILL WITHSTAND EXPOSURE TO 245°C PEAK TEMPERATURE FOR 10 SECONDS IN A CONVECTION, INFRA-RED, OR VAPOR PHASE REFLOW OVEN.
- MAXIMUM OVERALL LENGTH IS 100mm.

DIM	TABLE 3. LENGTH FORMULAS
DIM A (12)	(MM + NN) / 2 x 2.54 + (PP / 2) x 1.27 + 16.02
DIM B	DIM A - 10.94

Amphenol FCI

© 2016 AFCI

spec ref	dr	Julia Wang	2014/03/07	projection	MM	size	A2	scale	4:1
tolerance std	eng	Feng Zheng	2016/09/22			ecn no	ELX-DG-24961-1	rel level	Released
ISO 406	chr	Terris Liu	2016/09/22						
ISO 1101	appr	Pai-Ming Zheng	2016/09/22						
surface	linear			product family		div no	10125023	rev	B
ISO 1302	angular	0°	±2°	Amphenol FCI	HPCE BTB VT RECPT WITH GUIDE POST CONFIG. P+S - UNIVERSAL DRAWING	cat. no.	Product - Customer Drw	sheet 3 of 3	

PDS: Rev :B

STATUS:Released

Printed: Sep 22, 2016

# Mouser Electronics

Authorized Distributor

Click to View Pricing, Inventory, Delivery & Lifecycle Information:

## [FCI / Amphenol:](#)

[10125023-320424ALF](#) [10125023-320032ALF](#) [10125023-320032BLF](#) [10125023-000820BLF](#) [10125023-320028ALF](#)  
[10125023-080012ALF](#) [10125023-000432ALF](#) [10125023-000432BLF](#) [10125023-480812ALF](#) [10125023-000408BLF](#)  
[10125023-004016BLF](#) [10125023-400016BLF](#) [10125023-080420BLF](#)