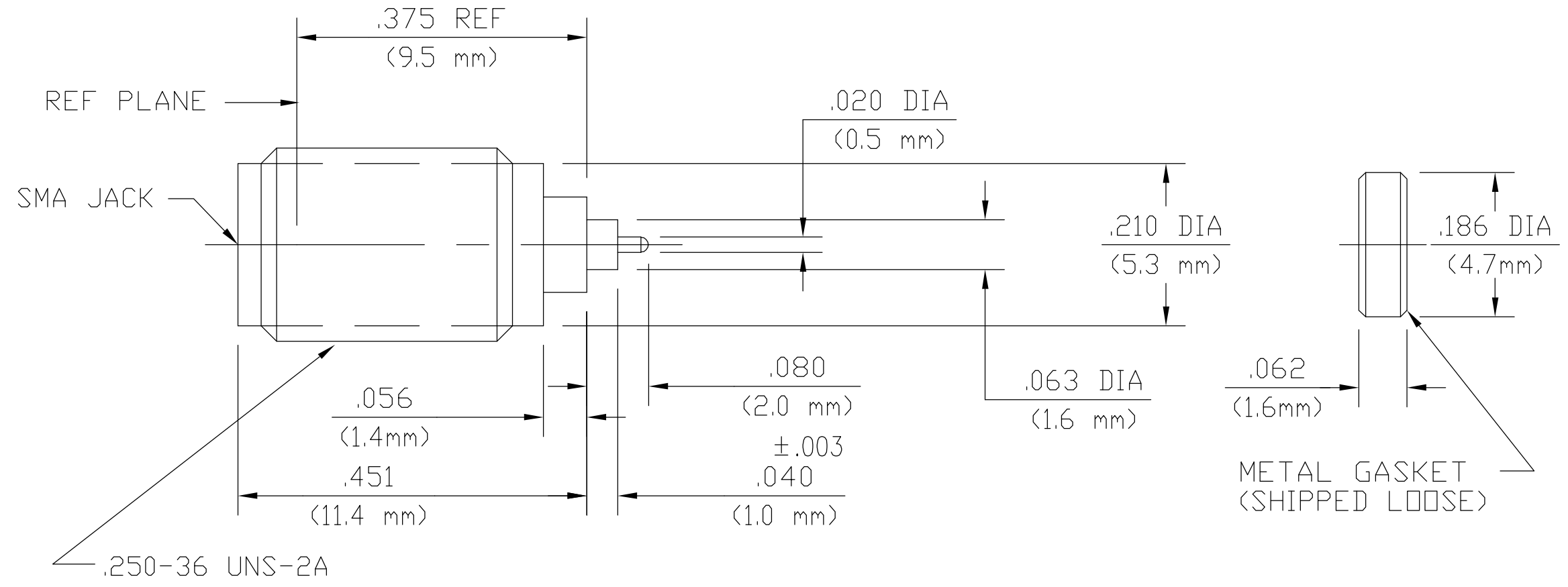
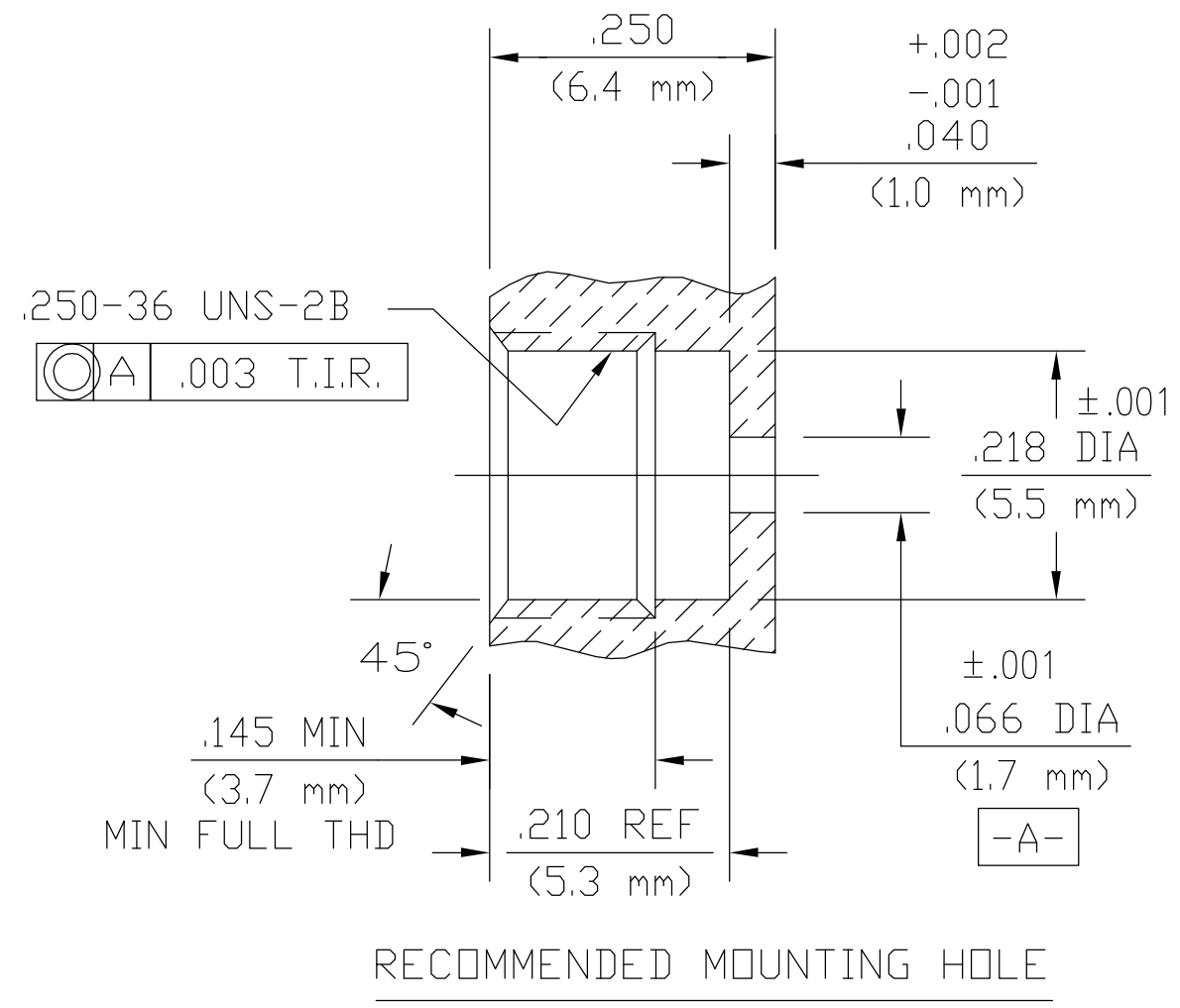


THIS DRAWING IS UNPUBLISHED. RELEASED FOR PUBLICATION  
 © COPYRIGHT BY TYCO ELECTRONICS CORPORATION. ALL RIGHTS RESERVED.

| LOC |    | DIST |     | REVISIONS             |         |     |      |
|-----|----|------|-----|-----------------------|---------|-----|------|
| HC  | 00 | P    | LTR | DESCRIPTION           | DATE    | DWN | APVD |
|     |    | A    |     | REV PER ECO 06-002539 | 07APR06 | GB  | JH   |



6053226  
 6053226-1  
 PART NUMBER

|               |   |                             |
|---------------|---|-----------------------------|
| HOUSING       | STAINLESS STEEL PER ASTM-A484 AND ASTM-A582, TYPE 303 | GOLD PLATE PER ASTM B 488   |
| DIELECTRIC    | TFE FLUOROCARBON PER ASTM D 1710                      | N/A                         |
| CTR CONTACT   | BERYLLIUM COPPER PER ASTM B196                        | GOLD PLATE PER ASTM B 488   |
| CONTACT EXT   | IRON-NICKEL-COBALT ALLOY PER MIL-I-23011 (KOVAR)      | GOLD PLATE PER ASTM B 488   |
| METAL GASKET  | SAE C12L14 STEEL                                      | SILVER PLATE PER ASTM B 700 |
| HERMETIC SEAL | GLASS BEAD  | N/A                         |
| COMPONENT     | MATERIAL  | FINISH                      |

| ELECTRICAL  | MECHANICAL                          | ENVIRONMENTAL  |
|---|-------------------------------------|--|
| Nominal Impedance (Ohms) 50                                 | Interface Dimensions MIL-STD-348A   | TEMPERATURE RATING -65°C TO +125°C   |
| Frequency Range (GHz) DC - 26.5                             | FIG 310.2                           | Vibration - MIL-STD-202, Method 204, Condition D, 20G's                      |
| Volt Rating (VRMS MAX) 335 @ Sea Level                      | Recommended Mating                  | Shock - MIL-STD-202, Method 213, Condition I                                 |
| VSWR 1.04 + (.009 F(GHz))                                   | Torque N/A                          | Thermal Shock MIL-STD-202, Method 107, Condition B                           |
| Insertion Loss (dB MAX) .05√F(GHz)                          | Mating Characteristics:             | EXCEPT HIGH TEMP 115°C   |
| RF Leakage (dB MIN) -(100 - F(GHz))                         | Insertion (MAX Lbs) 3.0             | Moisture Resistance - MIL-STD-202, Method 106                                |
| Corona, 70,000 Ft (VRMS MIN) 333                            | Withdrawal (MIN Oz) 1.0             | Corrosion - MIL-STD-202, Method 101, Condition B, 5% salt spray              |
| Dielectric Withstanding Voltage (VRMS MIN) 1000 @ Sea Level | Force To Engage (In/Lbs MAX) 2.0    | Leak Test - MIL-STD-202, Method 112, Condition C, Procedure I, 1 x 10 CC/Sec |
| Contact Resistance (Milliohms MAX)                          | Force To Disengage (In/Lbs MAX) 2.0 |  |
| Center Contact 10.0   | Center Contact Captivation          |  |
| Outer Contact 2.0   | Axial 6.0 Lbs                       |  |
| RF High Potential (VRMS MIN @ 5 MHz) 670 @ Sea Level        | Radial N/A                          |  |
| I.R.(Megohms) 5000  | Weight (Grams) T.B.D.               |  |

THIS DRAWING IS A CONTROLLED DOCUMENT.

|                         |  |                     |   |
|-------------------------|--|---------------------|---|
| DIMENSIONS: INCHES (mm) | TOLERANCES UNLESS OTHERWISE SPECIFIED:   | DWN M.Y. 18APR91    | Tyco Electronics Corporation<br>Harrisburg, PA 17105-3608             |
|                         | 0 PLC ± -<br>1 PLC ± -<br>2 PLC ± -<br>3 PLC ± .005<br>4 PLC ± -<br>ANGLES ± - | CHK C.W. 18APR91    |   |
| MATERIAL SEE NOTES      | FINISH SEE NOTES   | APVD G.D.D. 18APR91 | NAME  |
|                         |  | PRODUCT SPEC        | SMA PANEL FEEDTHRU JACK RECEPTACLE HERMETICALLY SEALED (2058-5119-00) |
|                         |  | APPLICATION SPEC    | SIZE CAGE CODE DRAWING NO RESTRICTED TO                               |
|                         |  | 408-4847            | A2 00779 C=6053226  |
|                         |  | WEIGHT -            | SCALE 5:1 SHEET 1 of 1 REV A  |
|                         |  | CUSTOMER DRAWING    |   |

# Mouser Electronics

Authorized Distributor

Click to View Pricing, Inventory, Delivery & Lifecycle Information:

[TE Connectivity:](#)

[2058 5119 00](#)