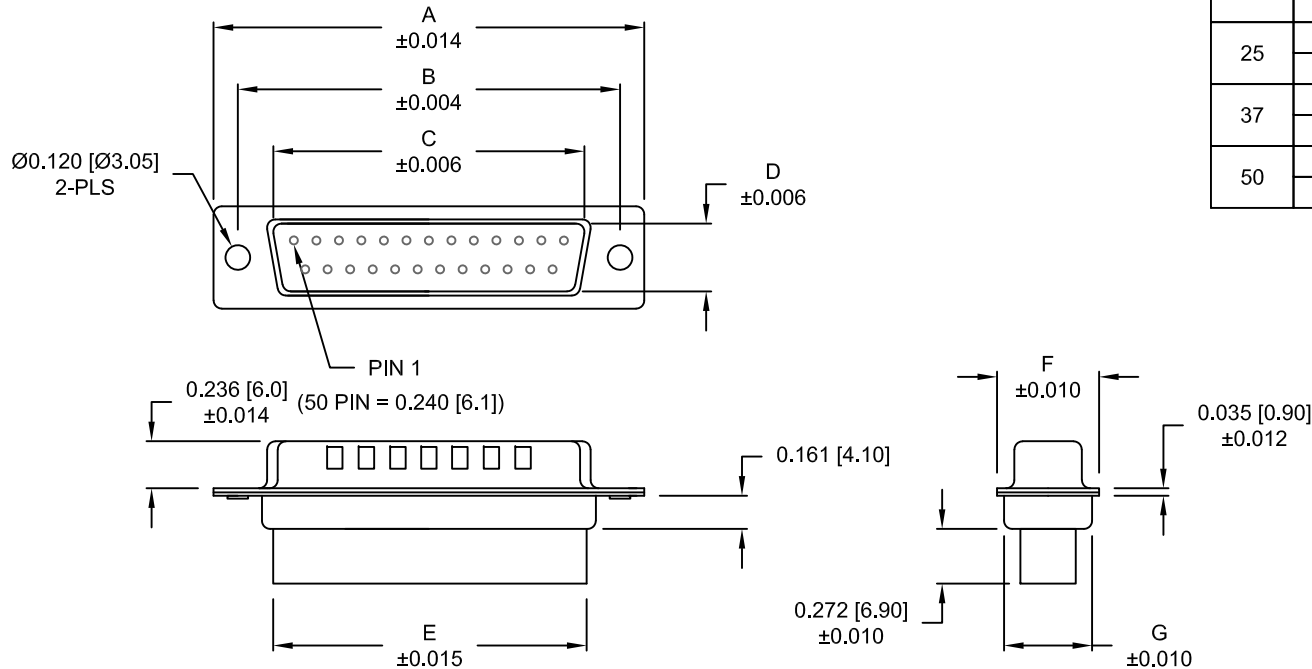


DESCRIPTION: MALE - CRIMP AND LOAD

**\*\*NOTE: CONTACTS MUST BE PURCHASED SEPARATELY\*\***



No. OF PINS	DIMENSIONS						
	A	B	C	D	E	F	G
9	1.213	0.984	0.666	0.329	0.618	0.496	0.429
	30.80	24.99	16.92	8.36	15.70	12.60	10.90
15	1.541	1.312	0.994	0.329	0.933	0.496	0.429
	39.15	33.32	25.25	8.36	23.70	12.60	10.90
25	2.087	1.852	1.534	0.329	1.496	0.496	0.429
	53.00	47.04	38.96	8.36	38.00	12.60	10.90
37	2.728	2.500	2.182	0.329	2.142	0.496	0.429
	69.30	63.50	55.42	8.36	54.40	12.60	10.90
50	2.638	2.402	2.079	0.436	2.039	0.602	0.535
	67.00	61.00	52.80	11.07	51.80	15.30	13.60

170-YYY-17YLYY0

SERIES \_\_\_\_\_  
 POSITIONS \_\_\_\_\_  
 009 \_\_\_\_\_  
 015 \_\_\_\_\_  
 025 \_\_\_\_\_  
 037 \_\_\_\_\_  
 050 \_\_\_\_\_  
 GENDER \_\_\_\_\_  
 1 = MALE  
 TERMINATION \_\_\_\_\_  
 7 = CRIMP & LOAD  
 SHELL PLATING \_\_\_\_\_  
 2 = TIN (GROUND INDENTS)  
 3 = NICKEL (GROUND INDENTS)  
 RoHS COMPLIANT \_\_\_\_\_  
 HARDWARE OPTIONS \_\_\_\_\_  
 00 = NO HARDWARE  
 01 = .098" CLINCH NUT (BOARD SIDE)  
 02 = .236" CLINCH NUT (BOARD SIDE)  
 03 = .236" CLINCH NUT (MATING SIDE)  
 PLATING OPTIONS \_\_\_\_\_  
 0 = NO CONTACTS

**MATERIAL:**

SHELL: STEEL, TIN OR NICKEL PLATED  
 INSULATOR: UL 94V-O RATED, PBT-BLACK  
 PROCESS TEMP: 230°C

**ELECTRICAL:**

CURRENT RATING: 5 AMPS  
 CONTACT RESISTANCE: 15 mOhms Max.  
 INSULATION RESISTANCE: 1,000 MOhms min.  
 VOLTAGE: 500VAC FOR 1 MINUTE  
 TEMPERATURE: -50° C TO 100° C

DO NOT SCALE FROM DRAWING

RoHS COMPLIANT

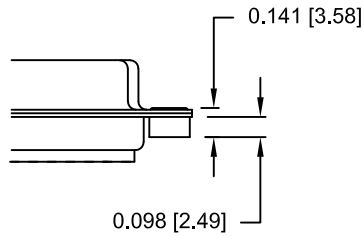
	THESE DRAWINGS AND SPECIFICATIONS ARE THE PROPERTY OF NorComp AND SHALL NOT BE REPRODUCED, COPIED OR USED AS THE BASIS FOR THE MANUFACTURE OF SALE OF APPARATUS WITHOUT WRITTEN PERMISSION.	DRAWN: PAM JENKINS DATE: 08-18-98
		SCALE: NTS SHEET 1 OF 2 REV 12
DWG NO. 170-YYY-17YLYY0		

DESCRIPTION: CLINCH NUT HARDWARE

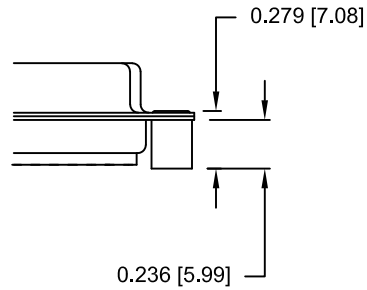
TOLERANCE:  
ALL DIMENSIONS ARE  $\pm 0.010$

ALL CLINCH-NUTS ARE 4-40 INTERNAL THREADS

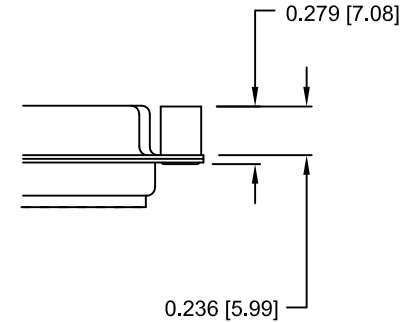
01X ..... 0.065" (BOARD SIDE)



02X ..... 0.236" (BOARD SIDE)



03X..... 0.236" (MATING SIDE)



DO NOT SCALE FROM DRAWING



THESE DRAWINGS AND SPECIFICATIONS ARE THE PROPERTY OF NorComp AND SHALL NOT BE REPRODUCED, COPIED OR USED AS THE BASIS FOR THE MANUFACTURE OF SALE OF APPARATUS WITHOUT WRITTEN PERMISSION.

DRAWN:  
PAM JENKINS

DATE:  
08-18-98

**NorComp**

SCALE: NTS SHEET 2 OF 2 REV 12

DWG NO. 170-YYY-17YLYY0

RoHS COMPLIANT

# Mouser Electronics

Authorized Distributor

Click to View Pricing, Inventory, Delivery & Lifecycle Information:

## NorComp:

[170-015-171L000](#) [170-009-173L000](#) [170-050-173L000](#) [170-009-171L000](#) [170-009-173L010](#) [170-009-173L020](#)  
[170-009-173L030](#) [170-015-173L010](#) [170-015-173L020](#) [170-015-173L030](#) [170-025-173L020](#) [170-025-173L030](#) [170-](#)  
[037-173L010](#) [170-037-173L020](#) [170-037-173L030](#) [170-050-173L010](#) [170-050-173L020](#) [170-050-173L030](#) [170-025-](#)  
[171L000](#) [170-050-171L000](#) [170-015-173L000](#) [170-037-171L000](#) [170-025-173L000](#) [170-037-273L000](#) [170-037-](#)  
[173L000](#) [170-025-173L010](#) [170-009-172L000](#) [170-015-172L000](#) [170-025-172L000](#) [170-037-172L000](#) [170-050-](#)  
[172L000](#) [170-050-172L010](#) [170-050-172L020](#) [170-050-172L030](#) [170-009-172-000](#) [170-050-171-000](#) [170-025-172-](#)  
[000](#) [170-037-172-000](#) [170-037-171-000](#) [170-015-171-000](#) [170-009-171-000](#) [170-050-172-000](#) [170-025-171-000](#)  
[170-015-172-000](#)