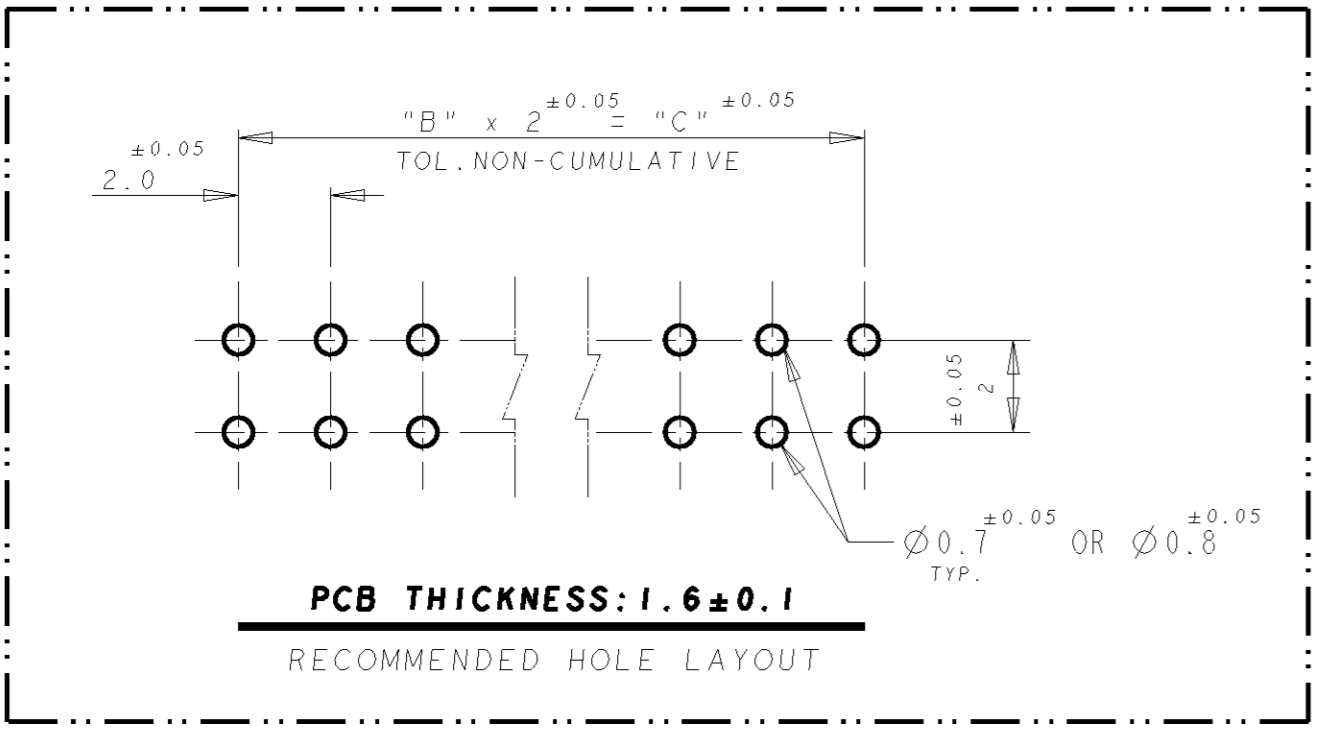
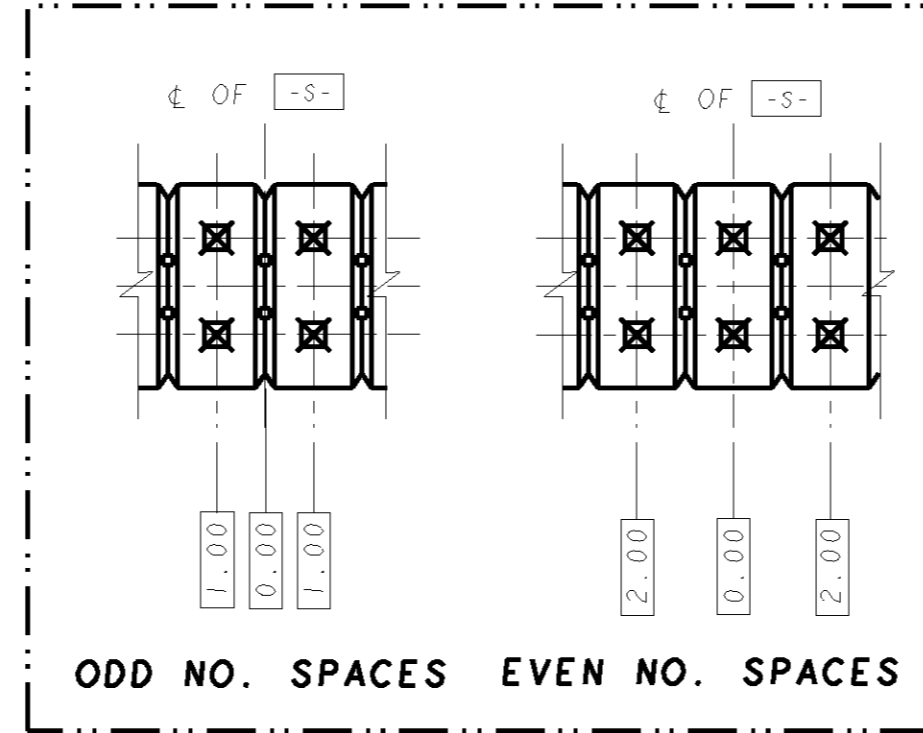
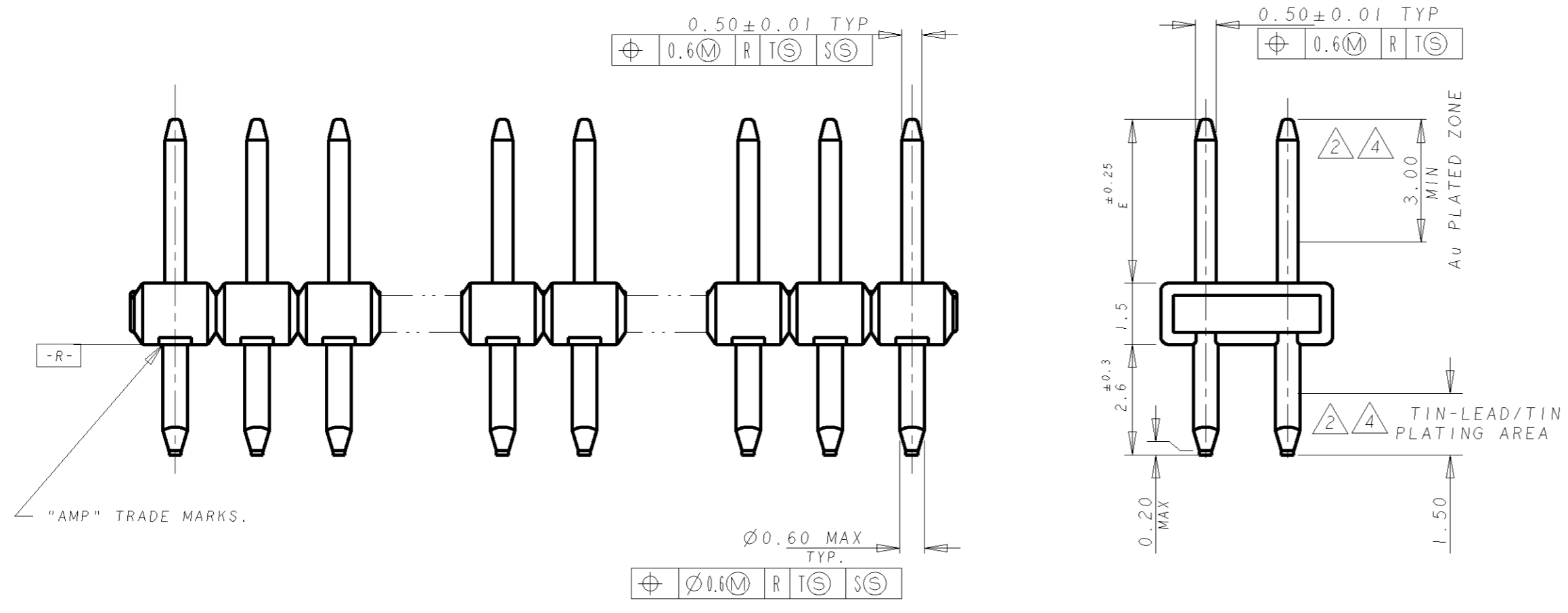
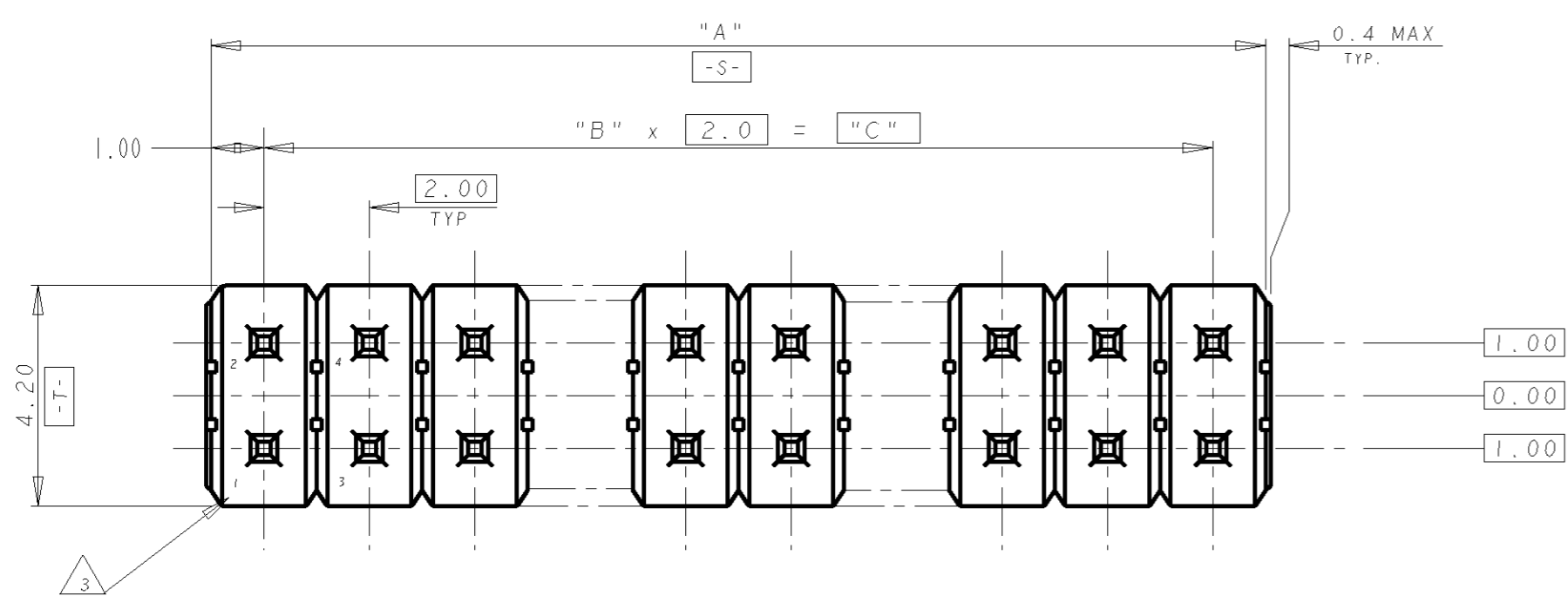


THIS DRAWING IS UNPUBLISHED. RELEASED FOR PUBLICATION
 © COPYRIGHT BY ALL RIGHTS RESERVED.

LOC	DIST	REVISIONS					
BY	DATE	DESCRIPTION	DATE	DWN	APVD		
DY	-	P	LTR				
		P		REVISED PER ECO-11-005139	19MAR11	RK HMR	

- NOTES:
- 1 MATERIAL HOUSING: THERMOPLASTIC, UL 94V-0. POST: BRASS
 - 2 FINISH CONTACT AREA, "D" MIN Au ON NICKEL 0.0013 MIN ALL OVER POST TINE: 0.002 MIN MATTE TIN
 - 3 POST POSITION NUMBERS FOR REFERENCE ONLY.



	NIL	4.00	0.0002	4	2	6	6	5-	-8
	17	4.00	0.00076	24	12	26	26	5-	-7
	9, 10	5.00	0.00076	24	12	26	26	5-	-6
	1, 14		0.00076	14	7	16	16	5-	-5
	1, 12		0.00076	10	5	12	12	5-	-4
	NIL		0.00076	-H-	-H-	2	2	5-	-3
	25		0.00076	48	24	50	50	5-	-2
	25		0.0002	48	24	50	50	5-	-1
				48	24	50	50	4-	-8
				46	23	48	48	4-	-7
				44	22	46	46	4-	-6
				42	21	44	44	4-	-5
		0.00076		34	17	36	36	4-	-1
				48	24	50	50	3-	-9
				42	21	44	44	3-	-6
		0.0002		38	19	40	40	3-	-4
				34	17	36	36	3-	-2
				28	14	30	30	2-	-9
				22	11	24	24	2-	-6
				20	10	22	22	2-	-5
				18	9	20	20	2-	-4
				16	8	18	18	2-	-3
				14	7	16	16	2-	-2
				12	6	14	14	2-	-1
				10	5	12	12	2-	-0
				8	4	10	10	1-	-9
				6	3	8	8	1-	-8
				4	2	6	6	1-	-7
		0.00076		2	1	4	4	1-	-6
				30	15	32	32	1-	-5
				28	14	30	30	1-	-4
				26	13	28	28	1-	-3
				22	11	24	24	1-	-1
				20	10	22	22	1-	-0
				18	9	20	20		-9
				16	8	18	18		-8
				14	7	16	16		-7
				12	6	14	14		-6
				10	5	12	12		-5
				8	4	10	10		-4
				6	3	8	8		-3
	NIL	4.00	0.0002	2	1	4	4	5176264-1	

DIMENSIONS: mm		TOLERANCES UNLESS OTHERWISE SPECIFIED:		DWN: WYLEE 07MAR2005		CHK: VINCENT TAN		STE TE Connectivity	
MATERIAL		FINISH		APVD: SE LEONG		NAME: AMPMODU 2mm PITCH POST HDR, VERTICAL MOUNT TYPE		SIZE: A2	
0 PLC ±		1 PLC ±		PRODUCT SPEC: -		CAGE CODE: 00779		DRAWING NO: 5176264	
2 PLC ±		3 PLC ±		APPLICATION SPEC: -		SCALE: 8:1		SHEET OF: 1	
3 PLC ±		4 PLC ±		WEIGHT: -		REVISIONS:		REV: P	
ANGLES ±		CUSTOMER DRAWING		APVD: SE LEONG		DATE: 19MAR11		DWN: RK	
FINISH		FINISH		APVD: SE LEONG		DATE: 19MAR11		DWN: HMR	

GENERAL TOLERANCE

0 <= 10	: ±0.2
10 <= 30	: ±0.25
30 <= 100	: ±0.3
ANGLES	: ±3°

Mouser Electronics

Authorized Distributor

Click to View Pricing, Inventory, Delivery & Lifecycle Information:

[TE Connectivity:](#)

[4-5176264-5](#)