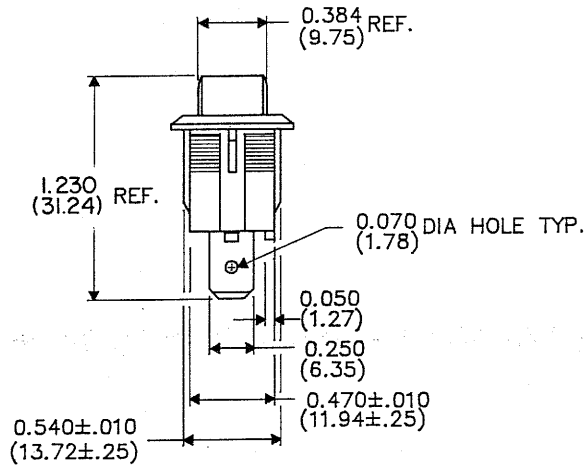
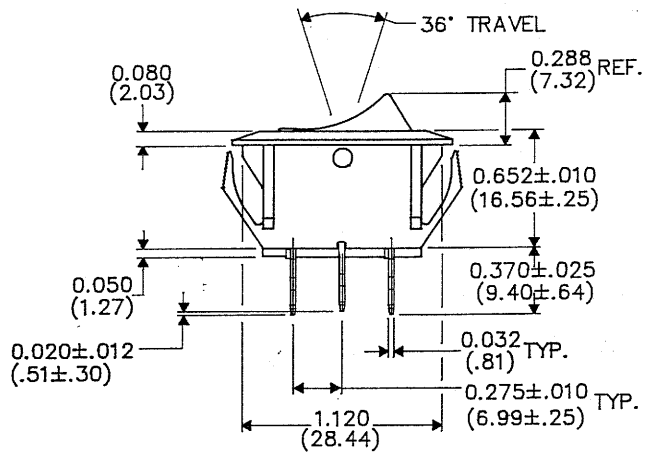
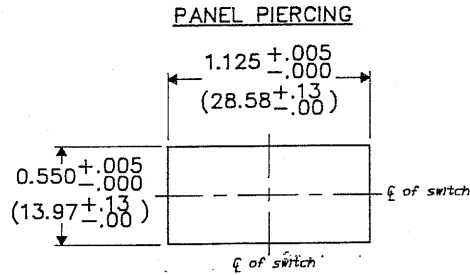
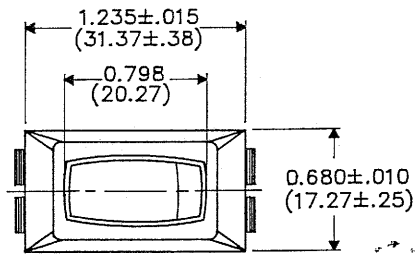


DIMENSIONS IN INCHES (MILLIMETERS)  
DO NOT SCALE DRAWING...

Drawing No. **GRS-2012-2000**



B-FORM-0  
REVISIONS  
RELEASED MAY 13-89  
MAM 2-6-89

**CW INDUSTRIES**  
Southampton, Pa. 18966

TOLERANCES UNLESS OTHERWISE SPECIFIED  
2 Place decimal ±.010 METRIC  
3 Place decimal ±.005 1 Place dec. ±.25 MM  
Angles . . . . . 1° 2 Place dec. ±.13 MM

Made for: CW  
Drawn by: MAM 4-14-89  
Checked by: [Signature] 4-26-89  
Approval: [Signature] 2-6-90

Title **ASSEMBLY DRAWING  
S.P.D.T. ROCKER SWITCH  
NON-POLARIZED  
1.125 x .550 PANEL**

Division **SWITCH**

Drawing No. **GRS-2012-2000**

**MASTER**

# Mouser Electronics

Authorized Distributor

Click to View Pricing, Inventory, Delivery & Lifecycle Information:

[CW Industries:](#)

[GRS-2012-2000](#)