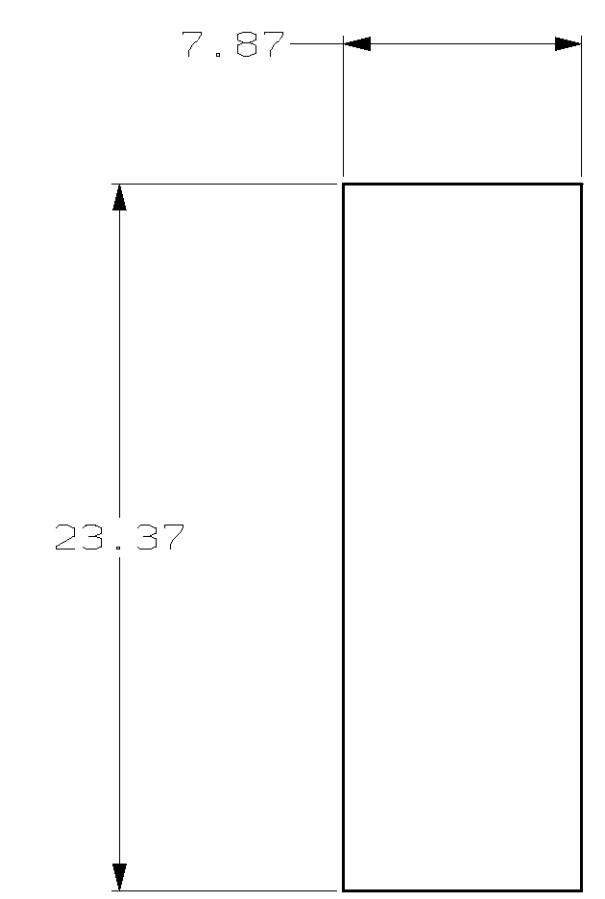
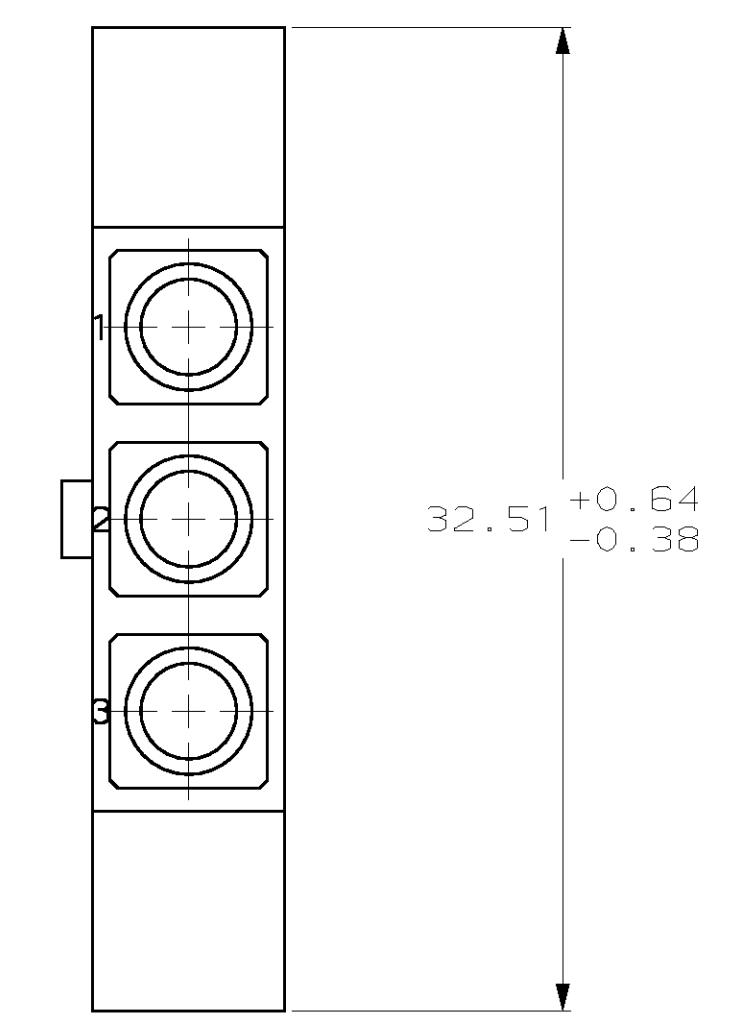
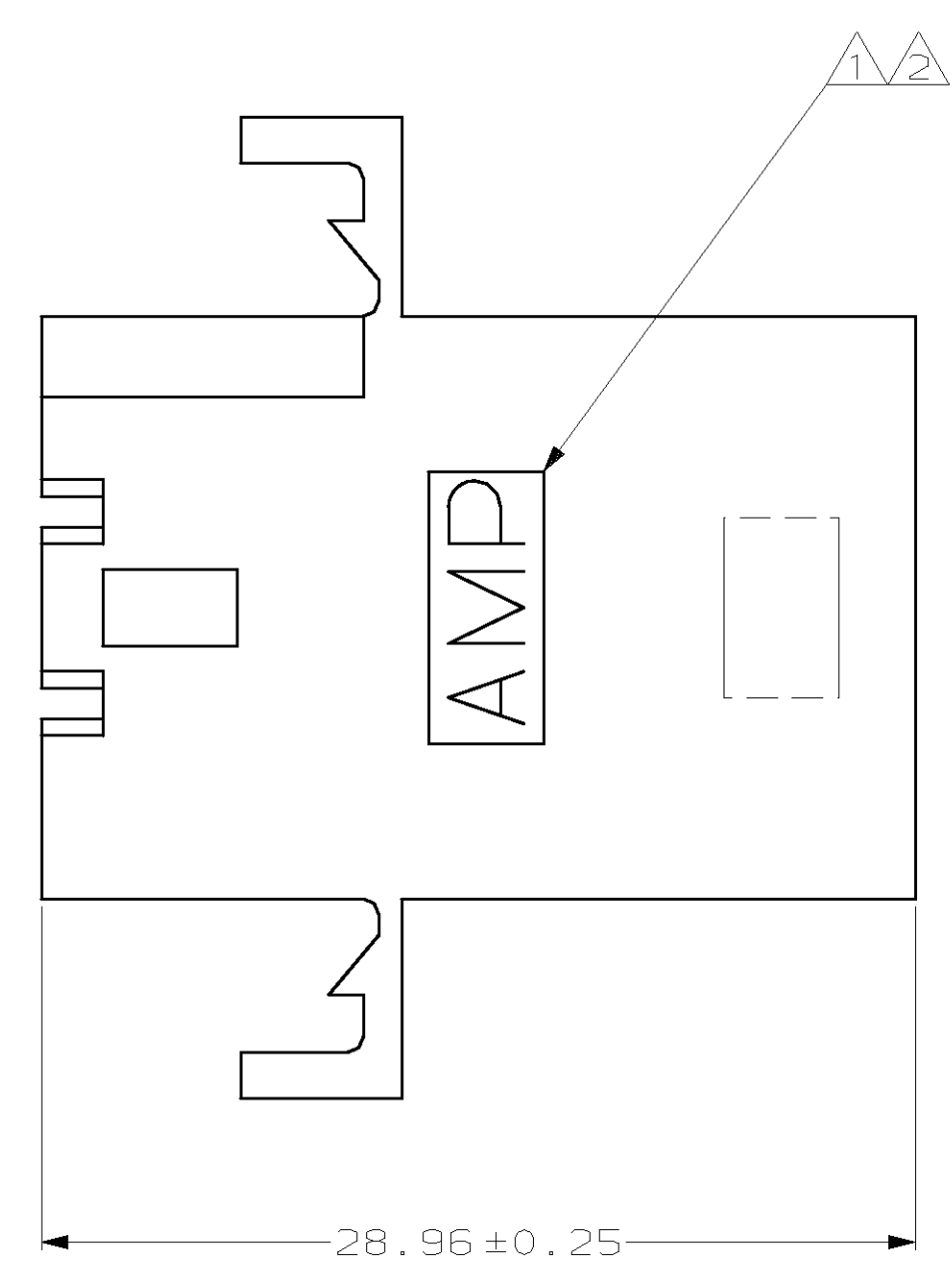
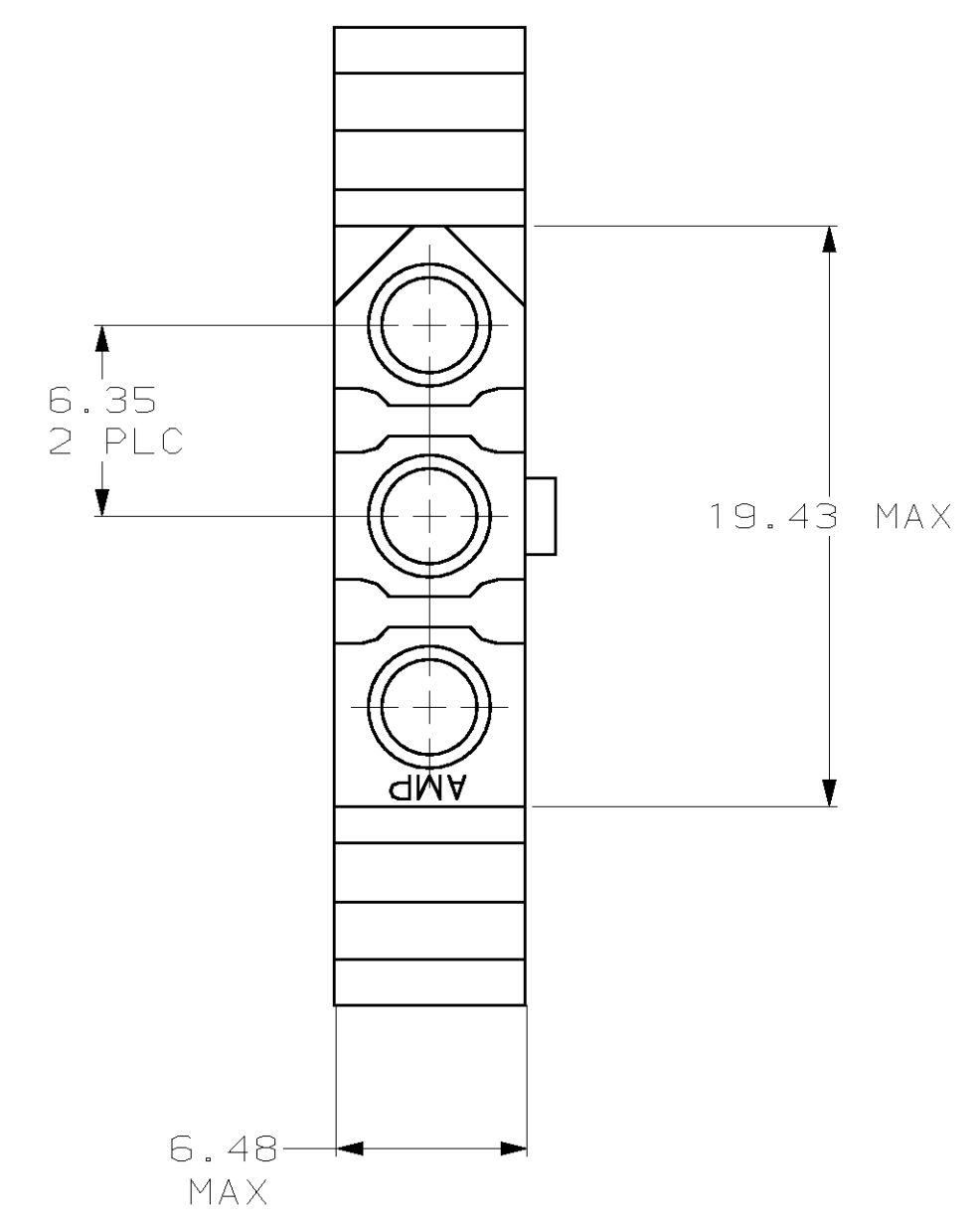
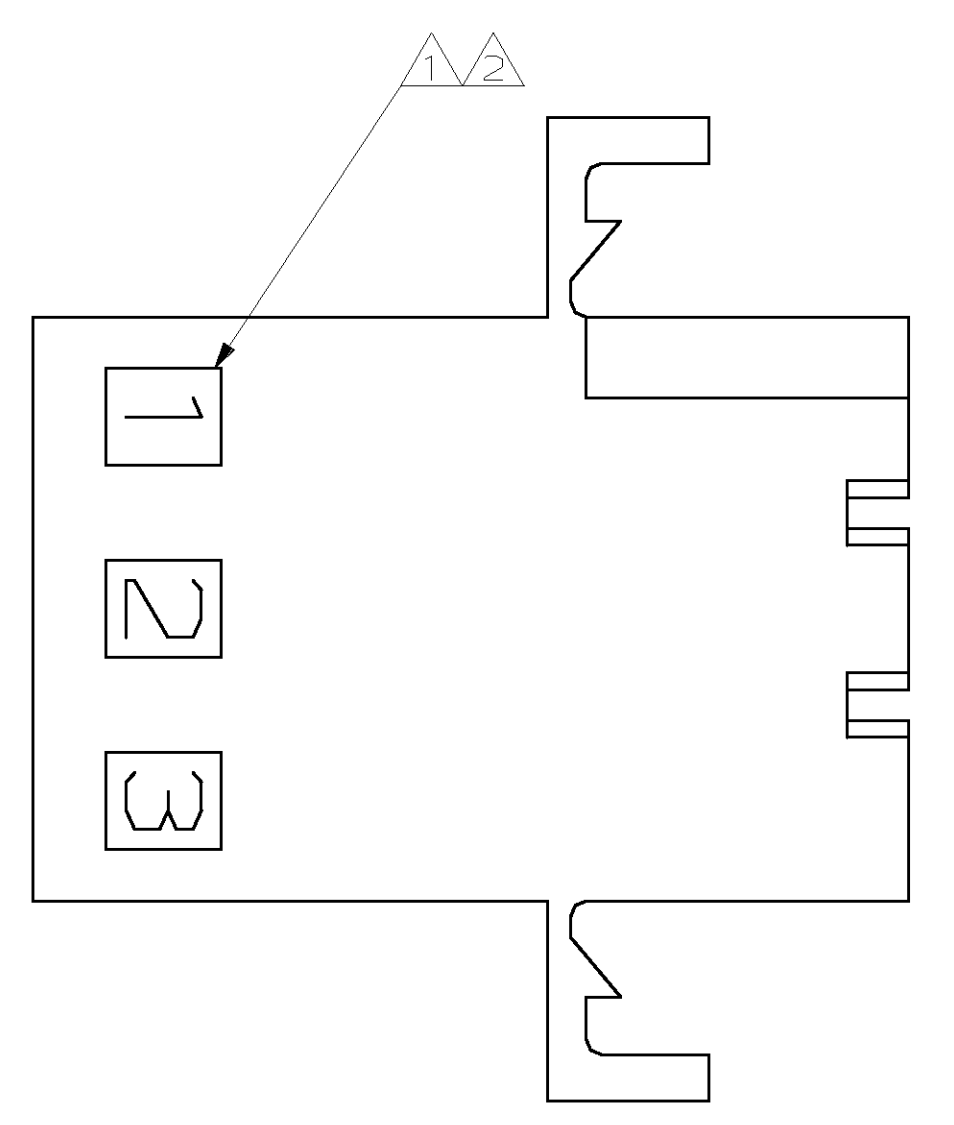
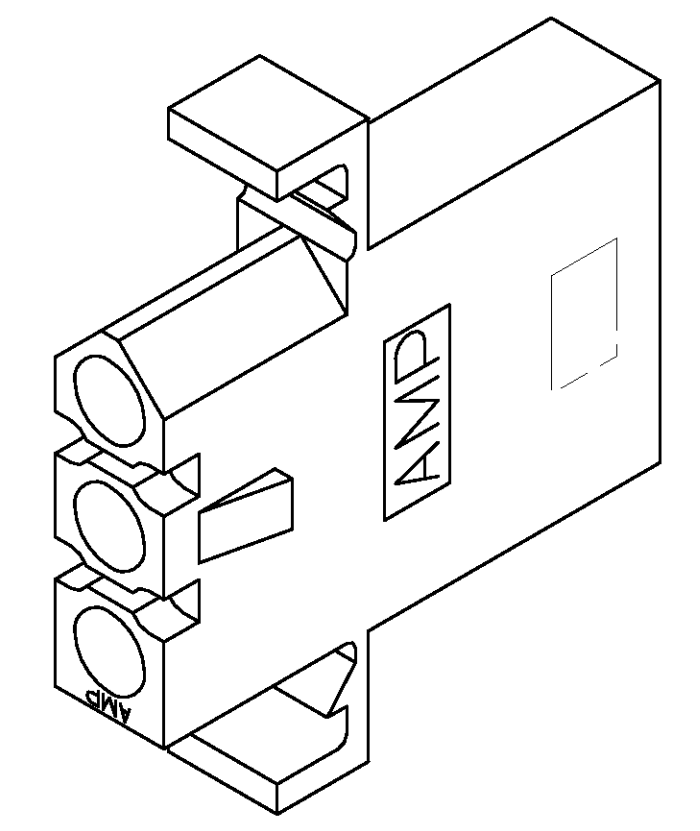


LOC	QTY	REV	DATE	BY	CHK	APPV
CM	53	E	11-04-97	KW	RS	

REVISIONS  
 1 AMP LOGO AND CIRCUIT ID NUMBERS LOCATED ON THIS SURFACE.  
 2 OPPOSITE SIDE OPTIONAL.



RECOMMENDED CUT OUT FOR 1.58 MAX THICK PANEL



3-DIMENSIONAL MODEL NTS

MM	IN	MM	IN
6.35	.250	32.51	1.280
1.58	.062	28.96	1.140
0.64	.025	23.37	.920
0.38	.015	19.43	.765
0.25	.010	7.87	.310
0.13	.005	6.48	.255
MM	IN	MM	IN

CONVERSION TABLE



THIS DRAWING IS A CONTROLLED DOCUMENT.

DIMENSIONS: mm	TOLERANCES UNLESS OTHERWISE SPECIFIED:	DWN: K. WHITAKER 11-04-97	AMP Incorporated Harrisburg, PA 17105-3608
Ø ± .13	PLC ± .010	CHK: R. SWING 11-04-97	AMP RECEPTACLE, PANEL MOUNT, 3 CIRCUIT, .250 PIN AND SOCKET
MATERIAL: NYLON, UL 94V-2, NATURAL	FINISH: -	APVD: K. CORLE 11-04-97	SIZE: A1 007799-770269
CUSTOMER DRAWING		HEIGHT: -	SCALE: 4:1 SHEET 1 OF 1 REV F

770269-1  
PART NUMBER

# Mouser Electronics

Authorized Distributor

Click to View Pricing, Inventory, Delivery & Lifecycle Information:

[TE Connectivity:](#)

[770269-1](#)