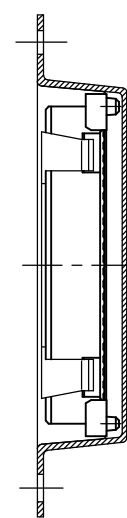
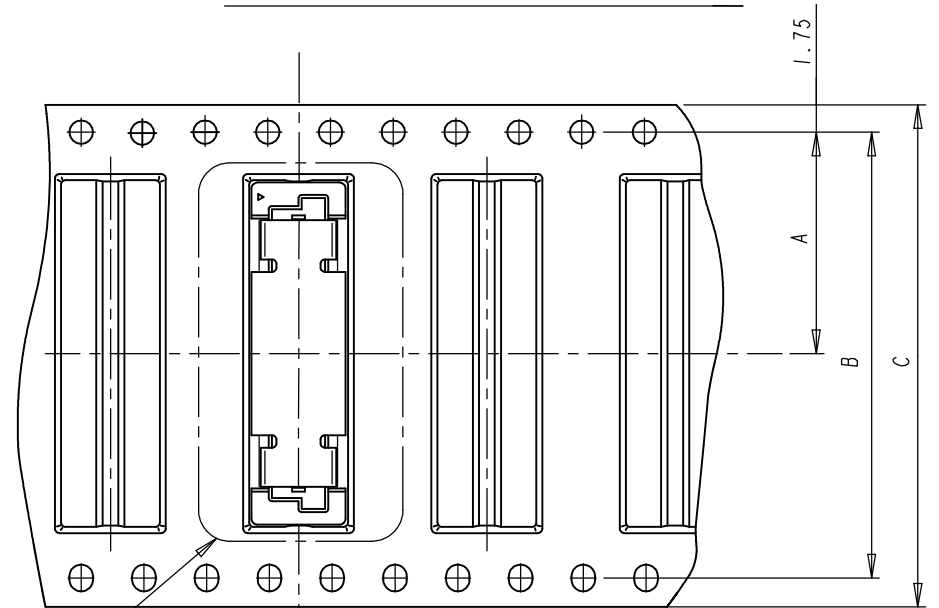


THIS DRAWING IS UNPUBLISHED. RELEASED FOR PUBLICATION
 © COPYRIGHT - TE Connectivity ALL RIGHTS RESERVED.

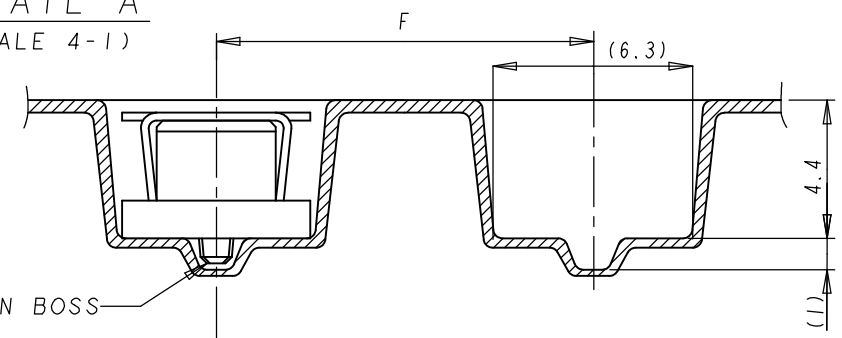
REVISIONS				
P	LTR	DESCRIPTION	DATE	APVD
R3		REVISED PER ECO-19-001094	21JAN2019	R.L H.L

LOW HALOGEN

DIRECTION OFF TOP OF REEL

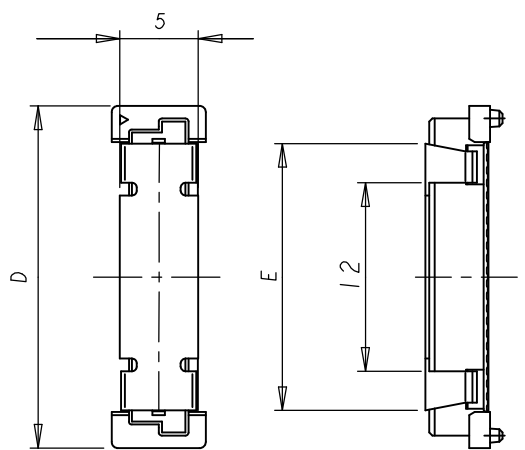
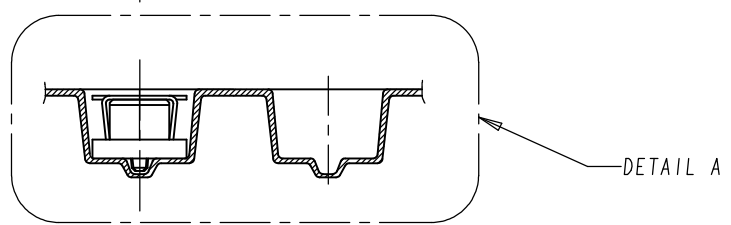


DETAIL A
(SCALE 4-1)



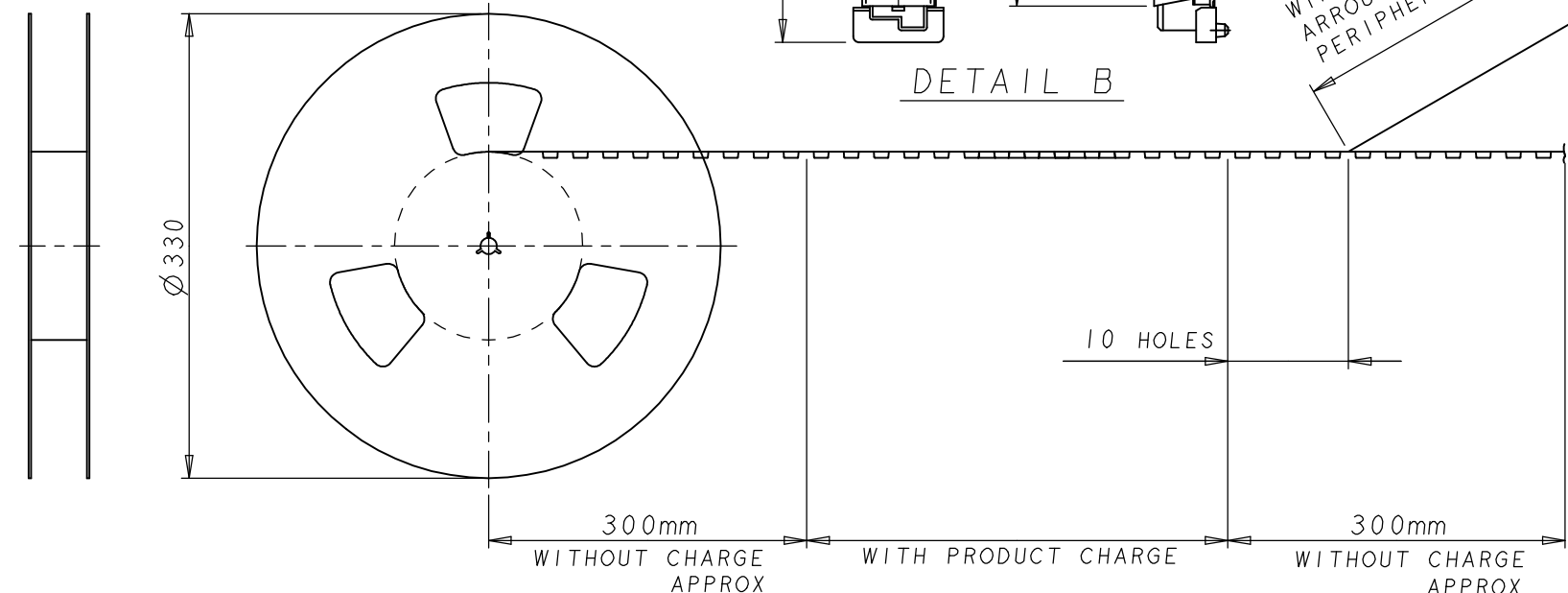
- NOTES:
- 1 MATERIAL: HOUSING: L.C.P (HIGH TEMP THERMOPLASTIC UL 94V-0, NATURAL. CONTACT: BERYLIUM COPPER.
 - 2 FINISH: CONTACT AREA: 0.0002 MIN GOLD ON 0.0013 MIN ALL OVER NICKEL. SOLDERING AREA: 0.002 MIN MATTE TIN.
 - 3. POSITION SERIES: SEE TABLE.
 - 4. CONN STACK HEIGHT COMBINE OF PLUG "Y"H VS REC "X"H. STACK HEIGHT = Y + X - 5
 - 5 FINISH: CONTACT AREA: 0.00038 MIN GOLD ON 0.0013 MIN ALL OVER NICKEL. SOLDERING AREA: 0.002 MIN MATTE TIN.
 - 6 CONNECTOR WITH BLACK COLOR AND POLYIMIDE COVER
- 7 FINISH: CONTACT AREA: GOLD FLASH 0.0013 MIN ALL OVER NICKEL. SOLDERING AREA: 0.002 MIN MATTE TIN.

DETAIL B



WINDING THE COVER TAPE AROUND THE OUTER PERIPHERY IN A TURN.

DETAIL B



(R1)

STEEL COVER

FINISH	QTY	F	E	D	C	B	A	POS	PART NO.
GOLD FLASH -Sn				69.8	88	84.4	42.2	160	9 - -8
				53.8	72	68.4	34.2	120	9 - -5
	700	16		45.8	72	68.4	34.2	100	9 - -4
				37.8	56	52.4	26.2	80	9 - -3
15Au-Sn				29.8	44	40.4	20.2	60	9 - -2
				21.8	32	28.4	14.2	40	9 - -1
				85.8	104	100.4	50.2	200	2 - -0
				77.8	104	100.4	50.2	180	1 - -9
08Au-Sn				70.1	88	84.4	42.2	160	1 - -8
				61.8	88	84.4	42.2	140	1 - -6
	700	16		53.8	72	68.4	34.2	120	1 - -5
				37.8	56	52.4	26.2	80	1 - -3
STEEL COVER				29.8	44	40.4	20.2	60	1 - -2
				21.8	32	28.4	14.2	40	1 - -1
				85.8	104	100.4	50.2	200	1 - -0
				77.8	104	100.4	50.2	180	1 - -9
FINISH				69.8	88	84.4	42.2	160	1 - -8
				61.8	88	84.4	42.2	140	1 - -6
	700	16		53.8	72	68.4	34.2	120	1 - -5
				37.8	56	52.4	26.2	80	1 - -3
FINISH				29.8	44	40.4	20.2	60	1 - -2
				21.8	32	28.4	14.2	40	1 - -1
				85.8	104	100.4	50.2	200	1 - -0
				77.8	104	100.4	50.2	180	1 - -9
FINISH				69.8	88	84.4	42.2	160	1 - -8
				61.8	88	84.4	42.2	140	1 - -6
	700	16		53.8	72	68.4	34.2	120	1 - -5
				37.8	56	52.4	26.2	80	1 - -3
FINISH				29.8	44	40.4	20.2	60	1 - -2
				21.8	32	28.4	14.2	40	1 - -1
				85.8	104	100.4	50.2	200	1 - -0
				77.8	104	100.4	50.2	180	1 - -9

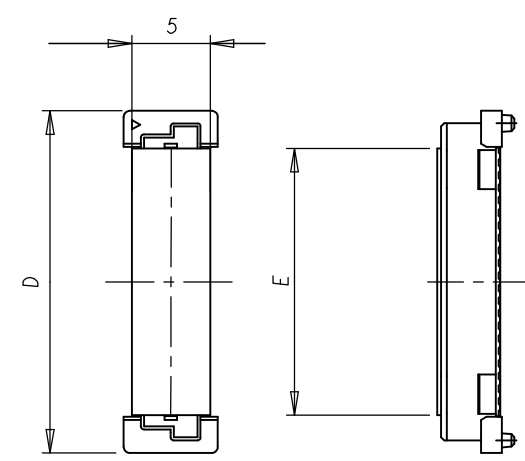
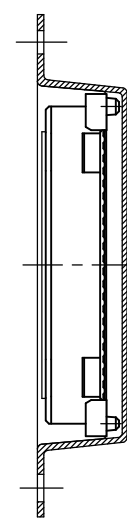
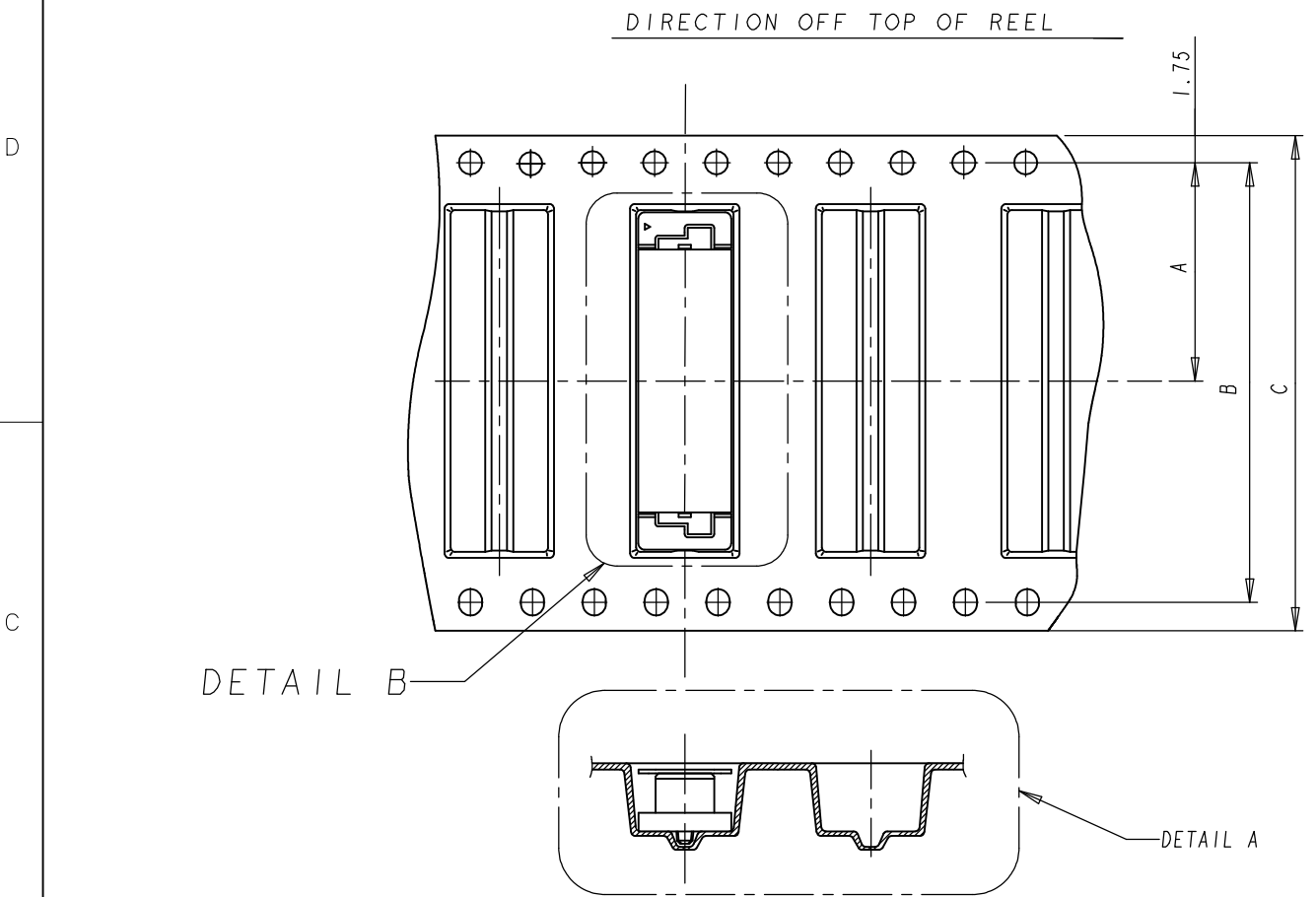
THIS DRAWING IS A CONTROLLED DOCUMENT. DWN SK LEAW 17MAY2004
 CHK ERIC TNG
 APVD SF LEONG
 PRODUCT SPEC 108-5390
 APPLICATION SPEC 114-5254
 MATERIAL - FINISH - WEIGHT 0

TE Connectivity
 RECEPTACLE ASSEMBLY 5H TYPE (0.5MM BOSS LENGTH) FOR 0.8FH ON TAPING

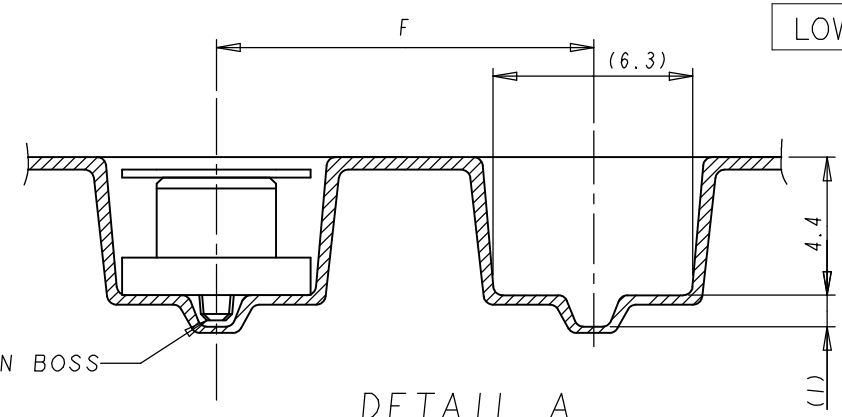
SIZE A2 CAGE CODE 00779 C=5177985 DRAWING NO 114-5254 RESTRICTED TO -
 CUSTOMER DRAWING SCALE 1:1 SHEET 1 OF 4 REV R3

THIS DRAWING IS UNPUBLISHED. RELEASED FOR PUBLICATION
 © COPYRIGHT - TE Connectivity ALL RIGHTS RESERVED.

REVISIONS				
P	LTR	DESCRIPTION	DATE	APVD
-	-	SEE SHEET 1	-	-

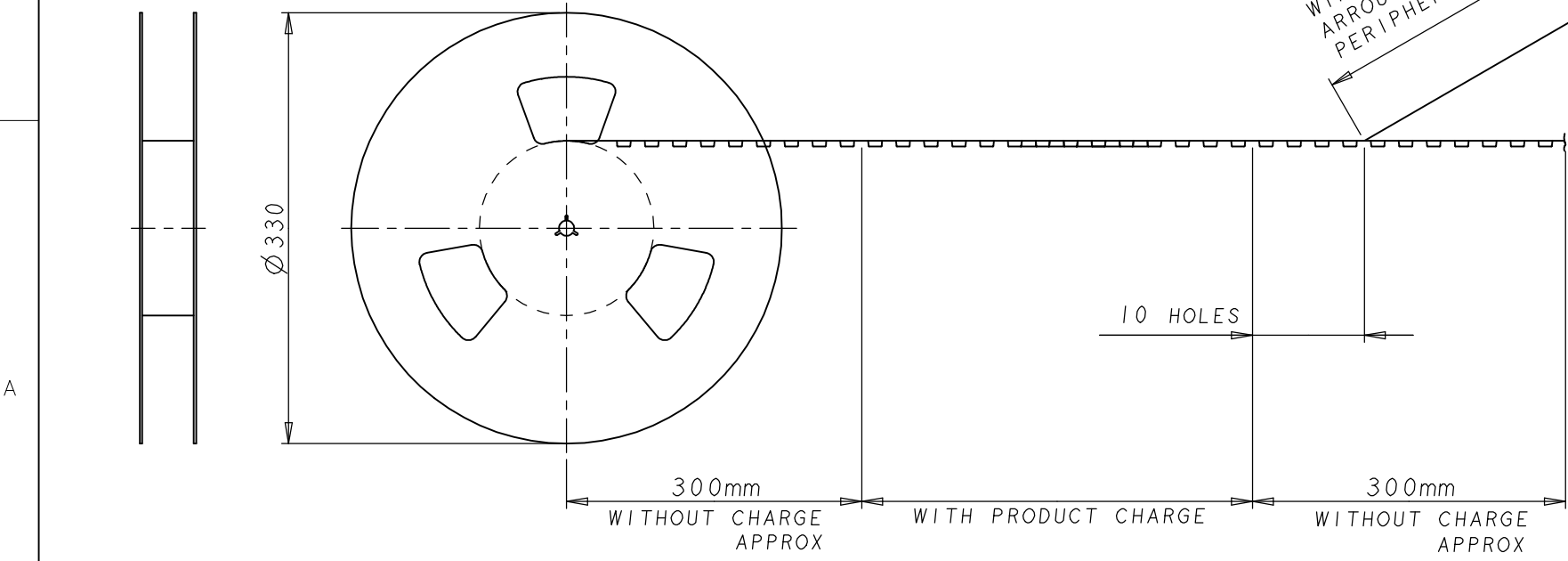


DETAIL B



DETAIL A
(SCALE 4-1)

LOW HALOGEN



POLYIMIDE COVER

700	16	11	61.8	88	84.4	42.2	140	9-5177985-6
FINISH	QTY	F	E	D	C	B	A	PART NO.

THIS DRAWING IS A CONTROLLED DOCUMENT.

DIMENSIONS: mm	TOLERANCES UNLESS OTHERWISE SPECIFIED:	DWN SK LEAW 17MAY2004	TE Connectivity
0 PLC ± -	1 PLC ± 0.3	CHK ERIC TNG	
2 PLC ± 0.25	3 PLC ± 0.2	APVD SF LEONG	RECEPTACLE ASSEMBLY 5H TYPE (0.5MM BOSS LENGTH) FOR 0.8FH ON TAPING
4 PLC ± -	ANGLES ± -	PRODUCT SPEC 108-5390	SIZE A2 CAGE CODE 00779 DRAWING NO C=5177985 RESTRICTED TO -
MATERIAL -	FINISH -	APPLICATION SPEC 114-5254	WEIGHT -
CUSTOMER DRAWING			SCALE 1:1 SHEET 2 of 4 REV R3

4

3

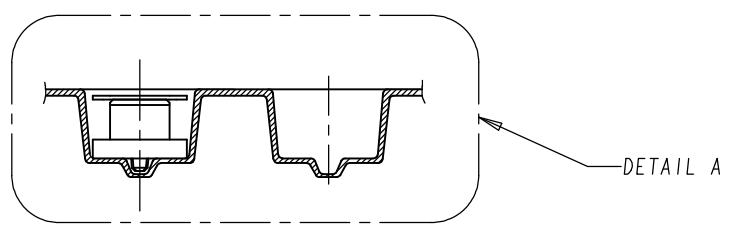
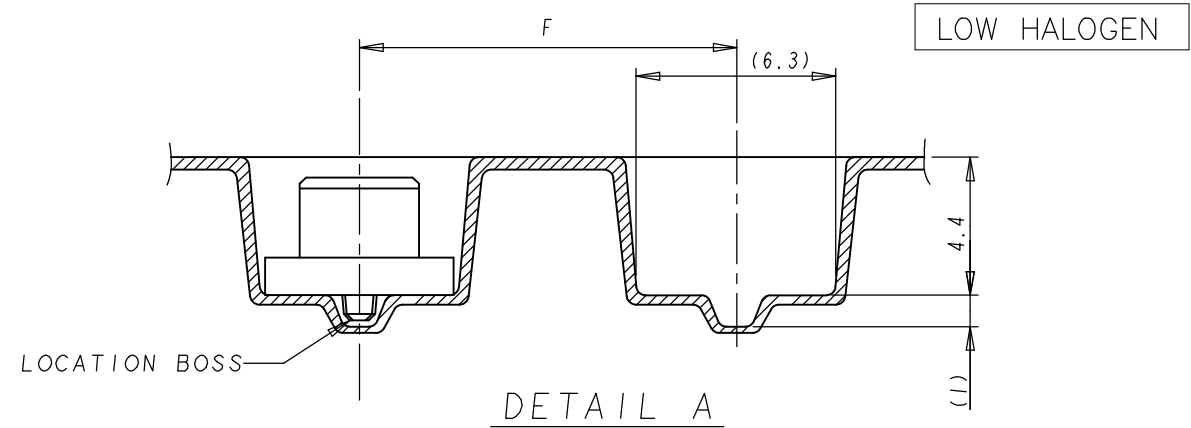
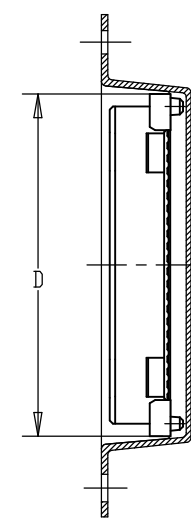
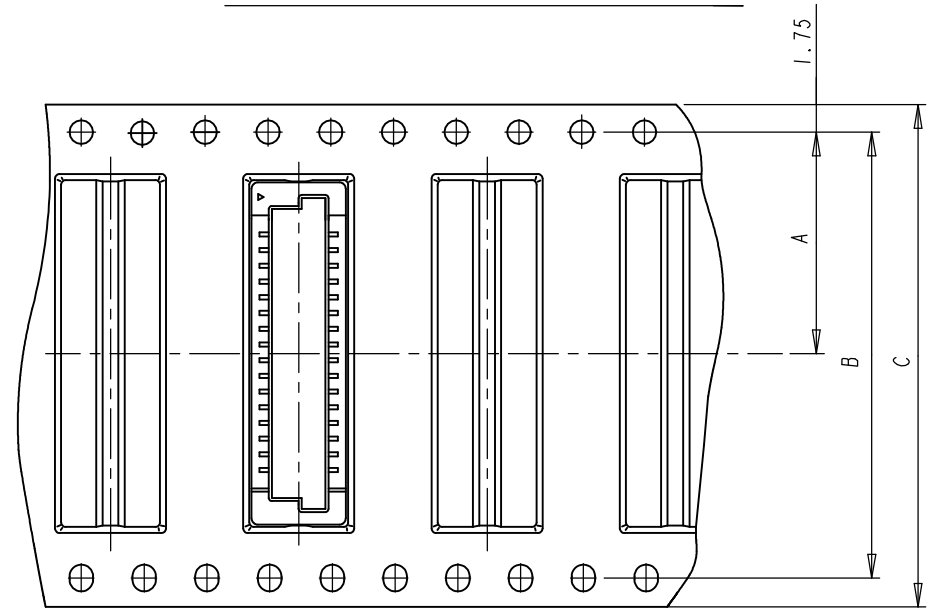
2

1

THIS DRAWING IS UNPUBLISHED. RELEASED FOR PUBLICATION
 © COPYRIGHT - TE Connectivity ALL RIGHTS RESERVED.

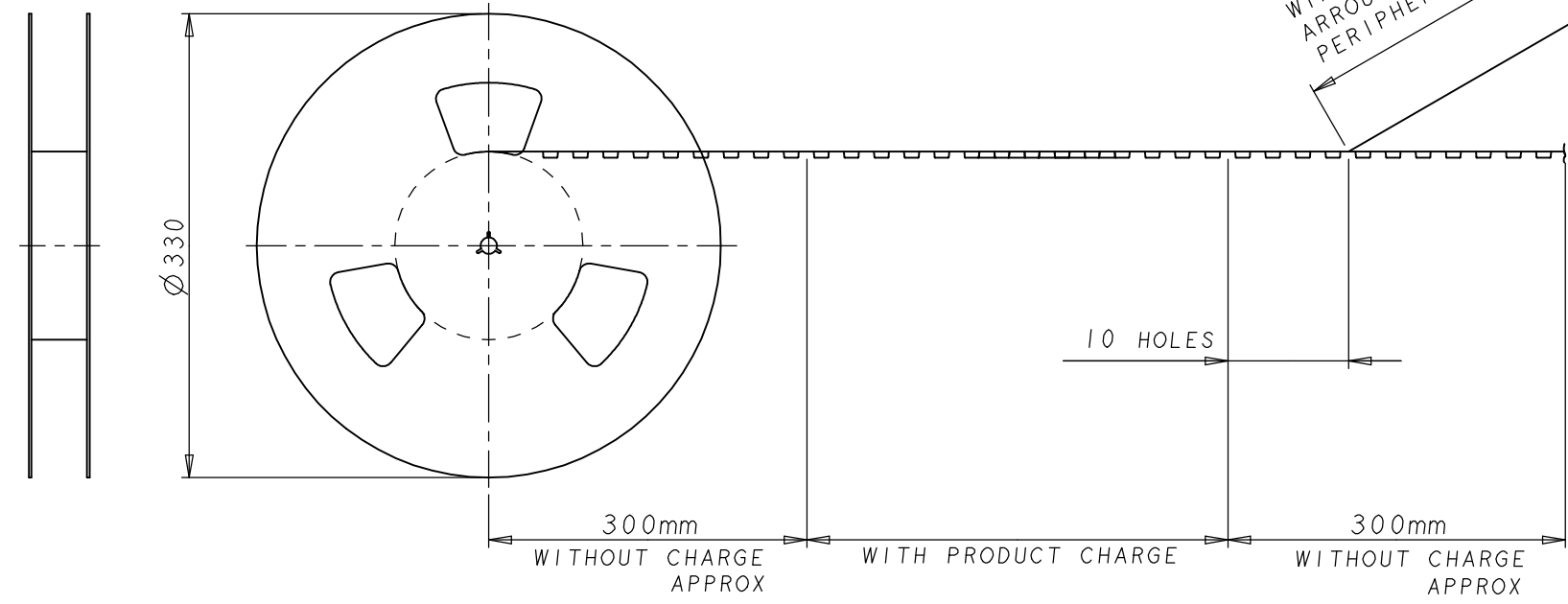
REVISIONS				
P	LTR	DESCRIPTION	DATE	APVD
-	-	SEE SHEET 1	-	-

DIRECTION OFF TOP OF REEL



WITHOUT COVER

WINDING THE COVER TAPE
 AROUND THE OUTER
 PERIPHERY IN A TURN.



THIS DRAWING IS A CONTROLLED DOCUMENT.		DWN SK LEAW 17MAY2004	TE TE Connectivity	
DIMENSIONS: mm		CHK ERIC TNG		
TOLERANCES UNLESS OTHERWISE SPECIFIED:		APVD SF LEONG	NAME	
0 PLC ± -	1 PLC ± 0.3	PRODUCT SPEC 108-5390	RECEPTACLE ASSEMBLY 5H TYPE (0.5MM BOSS LENGTH) FOR 0.8FH ON TAPING	
2 PLC ± 0.25	3 PLC ± 0.2	APPLICATION SPEC 114-5254	SIZE A2	CAGE CODE 00779
4 PLC ± -	ANGLES ± -	WEIGHT -	DRAWING NO C=5177985	RESTRICTED TO -
MATERIAL -	FINISH -	CUSTOMER DRAWING	SCALE 1:1	SHEET 3 of 4
			REV R3	

5177985

4

3

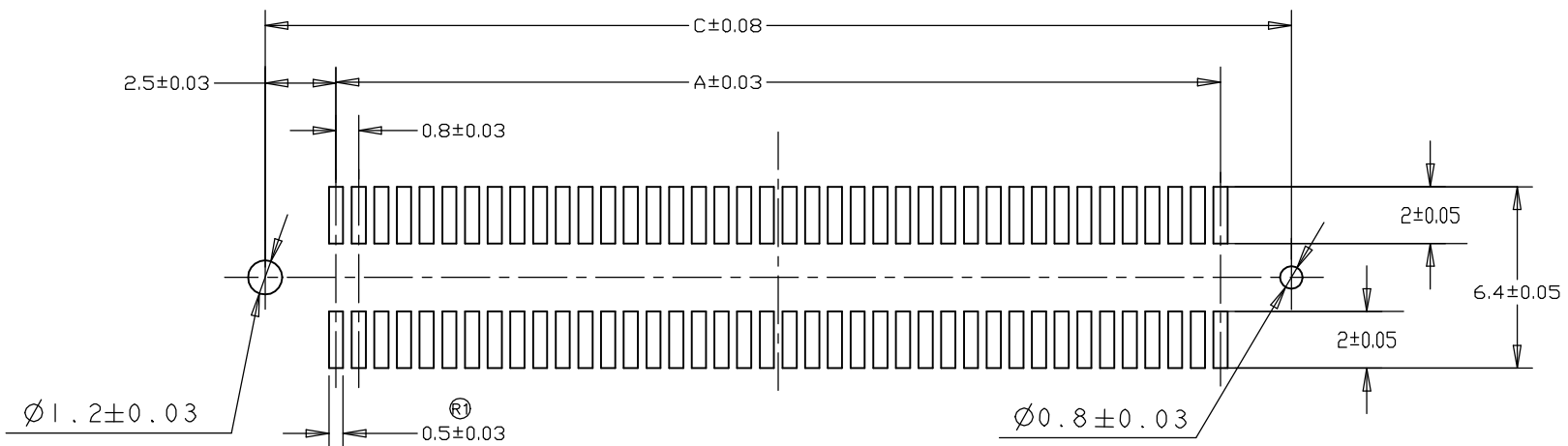
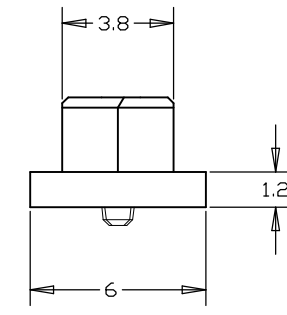
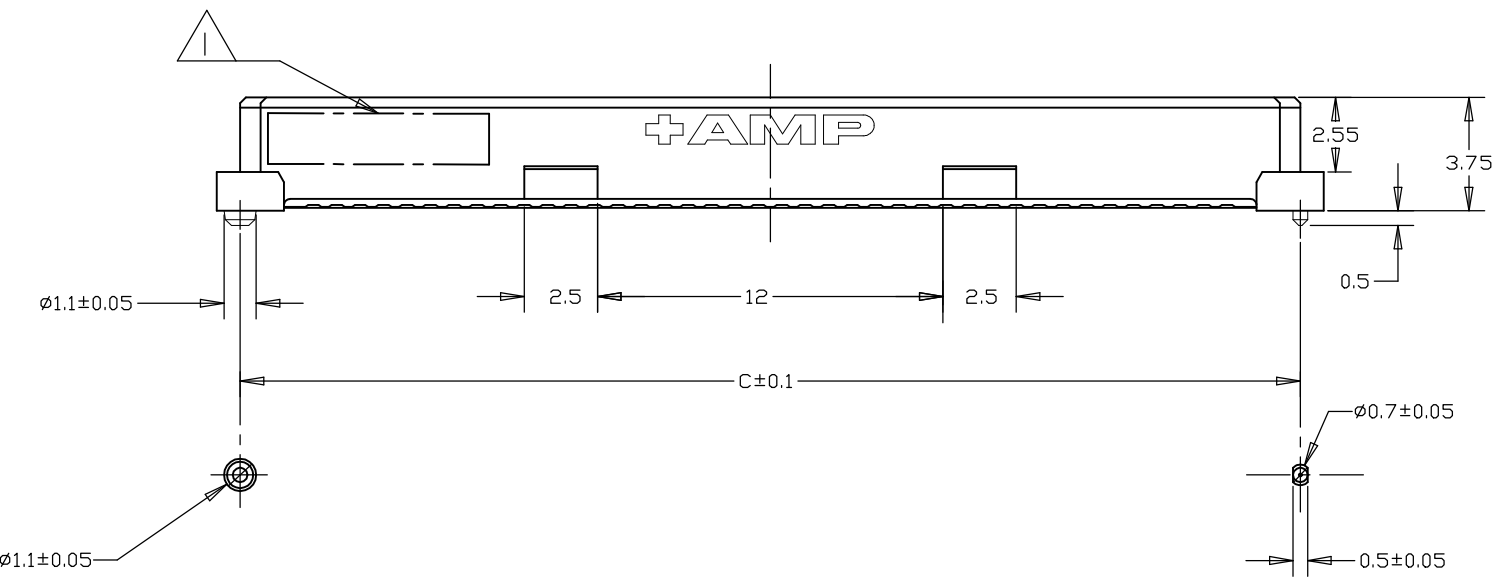
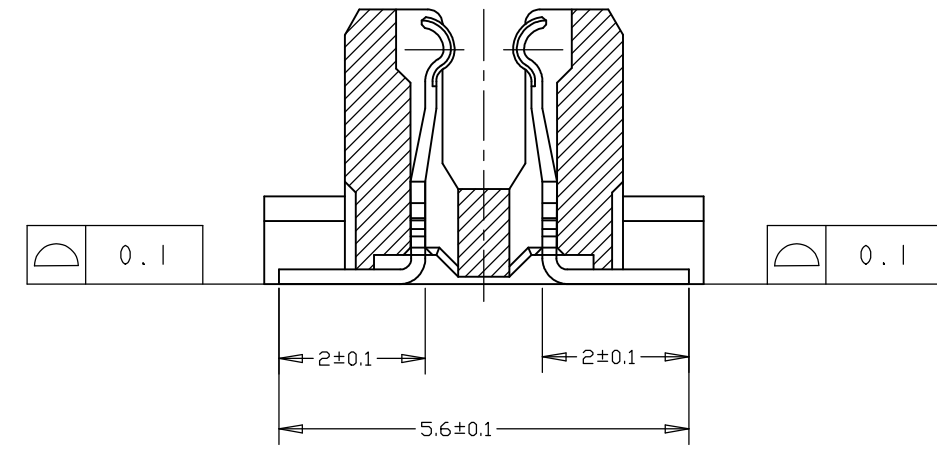
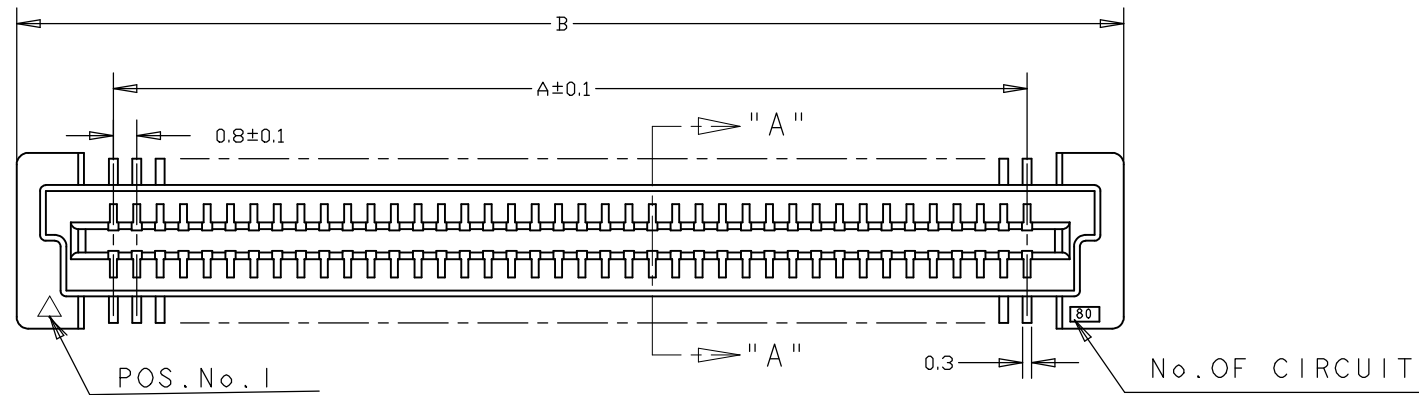
2

1

THIS DRAWING IS UNPUBLISHED. RELEASED FOR PUBLICATION. ALL RIGHTS RESERVED. © COPYRIGHT - TE Connectivity

REVISIONS					
P	LTR	DESCRIPTION	DATE	DWN	APVD
-	-	SEE SHEET 1	-	-	-

LOW HALOGEN



RECOMMENDED P.C. BOARD LAYOUT

CONNECTOR ONLY

52.2	53.8	47.2	120	8-	-5
68.2	69.8	63.2	160	9-	-8
52.2	53.8	47.2	120	9-	-5
44.2	45.8	39.2	100	9-	-4
36.2	37.8	31.2	80	9-	-3
28.2	29.8	23.2	60	9-	-2
20.2	21.8	15.2	40	9-	-1
84.2	85.8	79.2	200	2-	-0
76.2	77.8	71.2	180	1-	-9
68.2	69.8	63.2	160	1-	-8
60.2	61.8	55.2	140	1-	-6
52.2	53.8	47.2	120	1-	-
44.2	45.8	39.2	100	1-	-4
36.2	37.8	31.2	80	1-	-3
28.2	29.8	23.2	60	1-	-2
20.2	21.8	15.2	40	1-	-1
84.2	85.8	79.2	200	1-	-0
76.2	77.8	71.2	180		-9
68.2	69.8	63.2	160		-8
60.2	61.8	55.2	140		-6
52.2	53.8	47.2	120		-5
44.2	45.8	39.2	100		-4
36.2	37.8	31.2	80		-3
28.2	29.8	23.2	60		-2
20.2	21.8	15.2	40		-1
C	B	A	POS	PART NO.	

THIS DRAWING IS A CONTROLLED DOCUMENT.

DIMENSIONS: mm	TOLERANCES UNLESS OTHERWISE SPECIFIED:	DWN: SK LEAW	17MAY2004		
	0 PLC ± -	CHK: ERIC TNG	APVD: SF LEONG		
	1 PLC ± 0.3	PRODUCT SPEC: 108-5390	NAME: SF LEONG		
	2 PLC ± 0.25	APPLICATION SPEC: 114-5254	SIZE: A2		
MATERIAL: -	FINISH: -	WEIGHT: -	CAGE CODE: 00779	DRAWING NO: C=5177985	RESTRICTED TO: -

CUSTOMER DRAWING SCALE: 1:1 SHEET: 4 OF 4 REV: R3