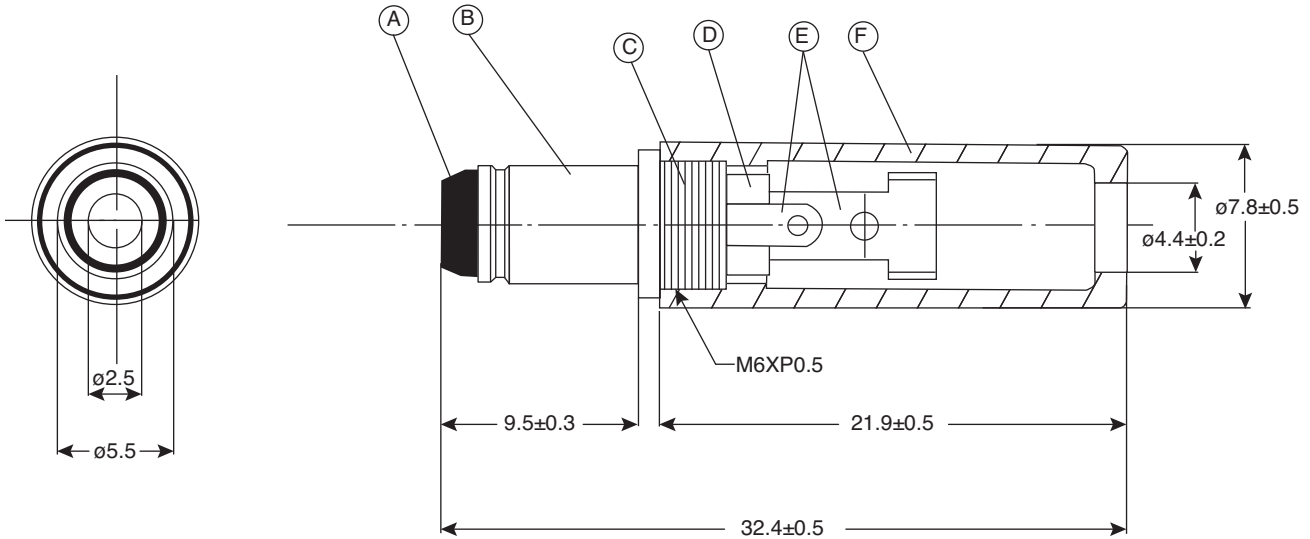


Locking DC Power Plug

1710-2522



Locking DC Power Plug



Dimensions: mm

Unless Otherwise Specified Tolerances	
0.5-5	= ±0.2
5-30	= ±0.4
30-120	= ±0.6
120-315	= ±1
315-1000	= ±1.6
1000-2000	= ±2.4

SPECIFICATIONS			
Type:		Locking DC Power	
Insulation Resistance:		100MΩ @ 500VDC	
No.	Description	Material	Finish
A	Insulator	ABS	Black
B	Tube	Brass	Nickel
C	Head	Brass	Nickel
D	Insulator	Nylon+Fiber	Black
E	Terminal	Brass	Nickel
F	Shell	ABS	Black

Date Last Revised: 12-3-10

1710-2522

Available from Mouser Electronics
 1-800-346-6873
www.mouser.com

KC-300479

Mouser Electronics

Authorized Distributor

Click to View Pricing, Inventory, Delivery & Lifecycle Information:

[Kobiconn:](#)

[1710-2522](#)