

## D-SUB bus connector - SUBCON-PLUS F3 - 2761871

Please be informed that the data shown in this PDF Document is generated from our Online Catalog. Please find the complete data in the user's documentation. Our General Terms of Use for Downloads are valid (<http://phoenixcontact.com/download>)




D-SUB connector, 9-pos. female connector, two cable entries < 35°, bus system: CANopen, FIP, pin assignment: 2, 3, 6, 7, 8, 9 to two screw connection terminal blocks

### Your advantages

- ✓ Assembly under field conditions
- ✓ Separate terminal blocks for each cable
- ✓ High transmission speed
- ✓ Easy assembly thanks to knurled screws
- ✓ High level of EMC
- ✓ Flexibility in terms of cable entry selection
- ✓ For universal use
- ✓ Change to the D-SUB orientation through a reversible connection block



### Key Commercial Data

Packing unit	1 pc
GTIN	 4 017918 156299
GTIN	4017918156299
Sales Key	07

### Technical data

#### Dimensions

Max. cable diameter	10 mm
Min. cable diameter	6 mm
Width	16 mm
Height	44 mm
Length	60 mm

#### Ambient conditions

Ambient temperature (operation)	-20 °C ... 75 °C
---------------------------------	------------------

## D-SUB bus connector - SUBCON-PLUS F3 - 2761871

### Technical data

#### Ambient conditions

Ambient temperature (storage/transport)	-25 °C ... 80 °C
Degree of protection	IP20

#### General

Nominal voltage $U_N$	50 V DC
Nominal current $I_N$	100 mA
Insertion/withdrawal cycles	> 200
Housing material	ABS, metal-plated

#### Standards and Regulations

Connection in acc. with standard	CUL
----------------------------------	-----

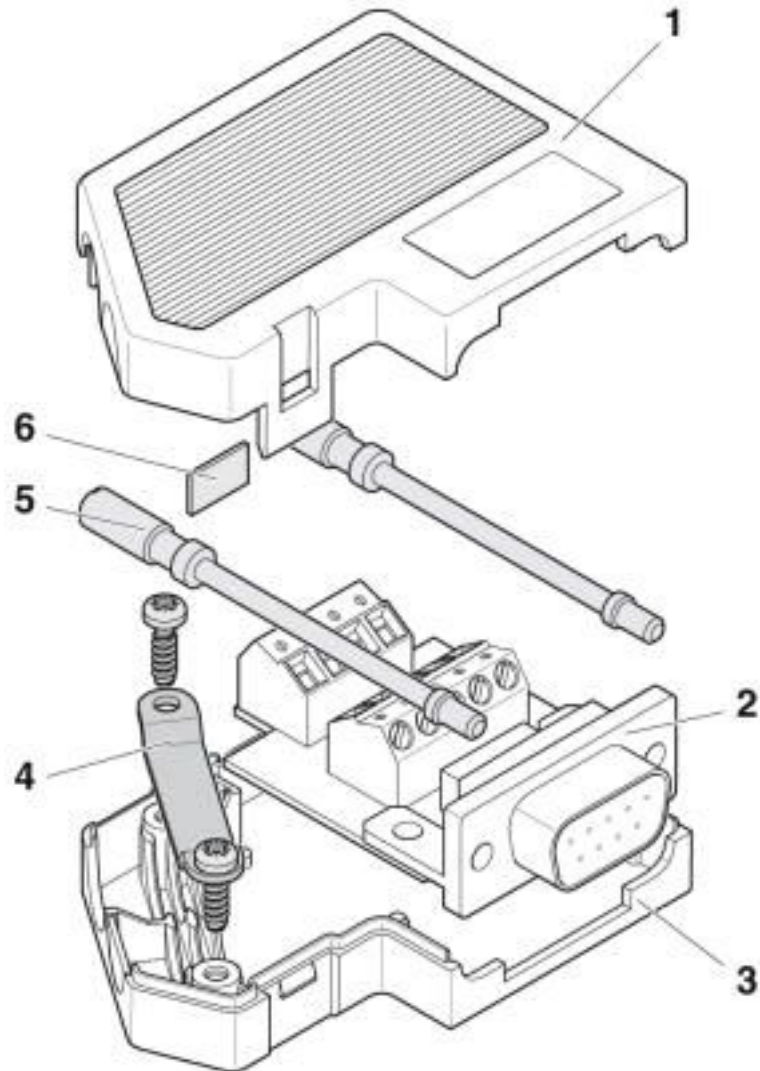
#### Environmental Product Compliance

REACH SVHC	Lead 7439-92-1
China RoHS	Environmentally Friendly Use Period = 50 years
	For details about hazardous substances go to tab "Downloads", Category "Manufacturer's declaration"

### Drawings

# D-SUB bus connector - SUBCON-PLUS F3 - 2761871

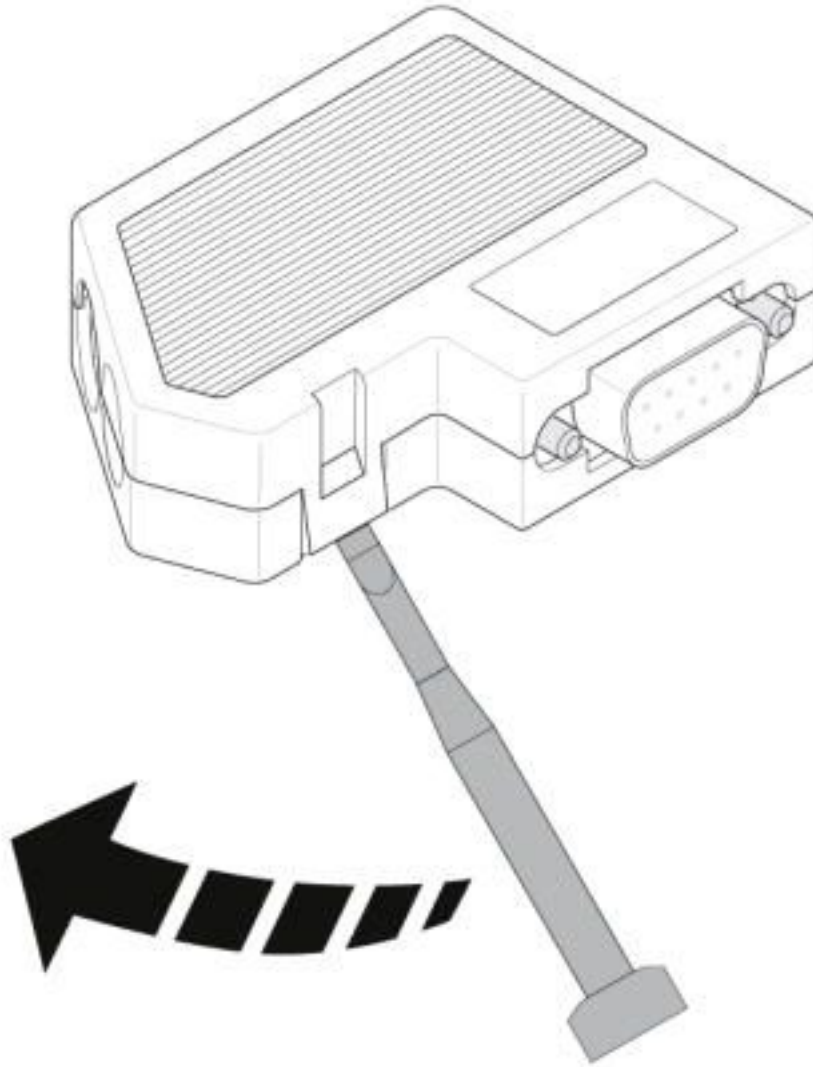
Schematic diagram



Function elements

## D-SUB bus connector - SUBCON-PLUS F3 - 2761871

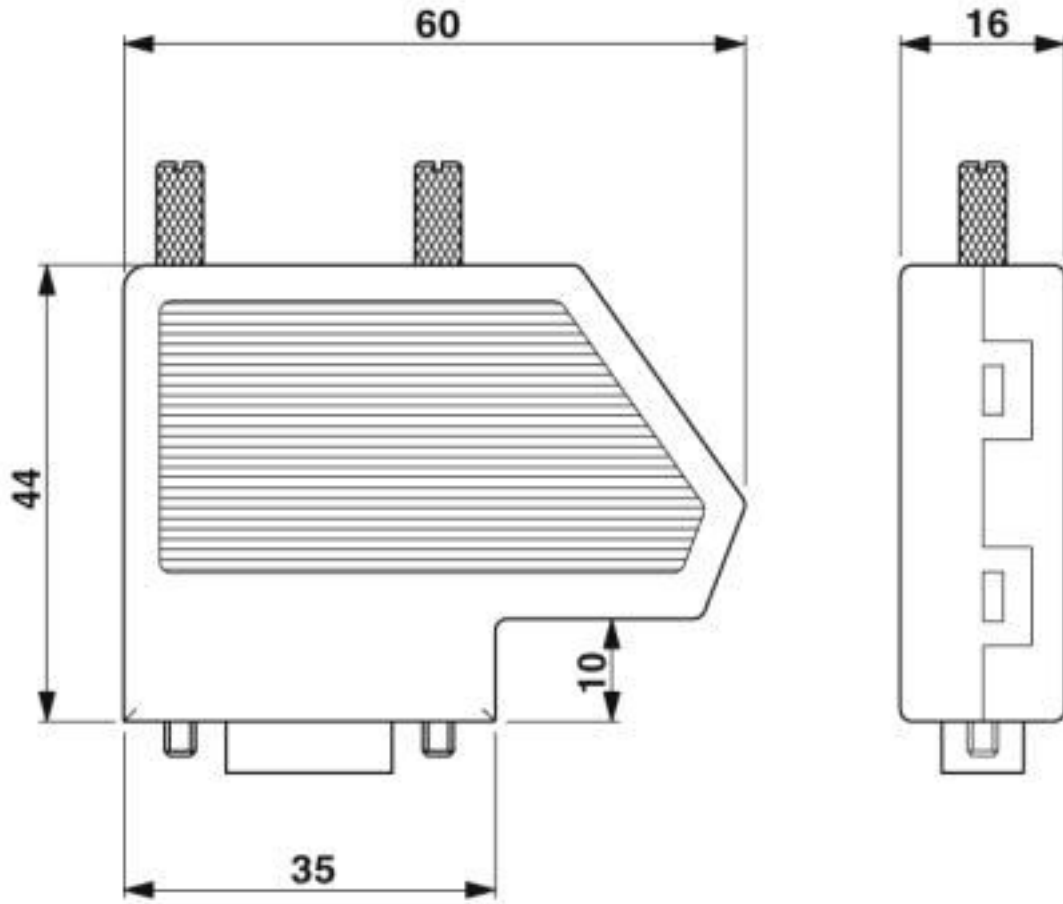
Schematic diagram



Opening the housing

# D-SUB bus connector - SUBCON-PLUS F3 - 2761871

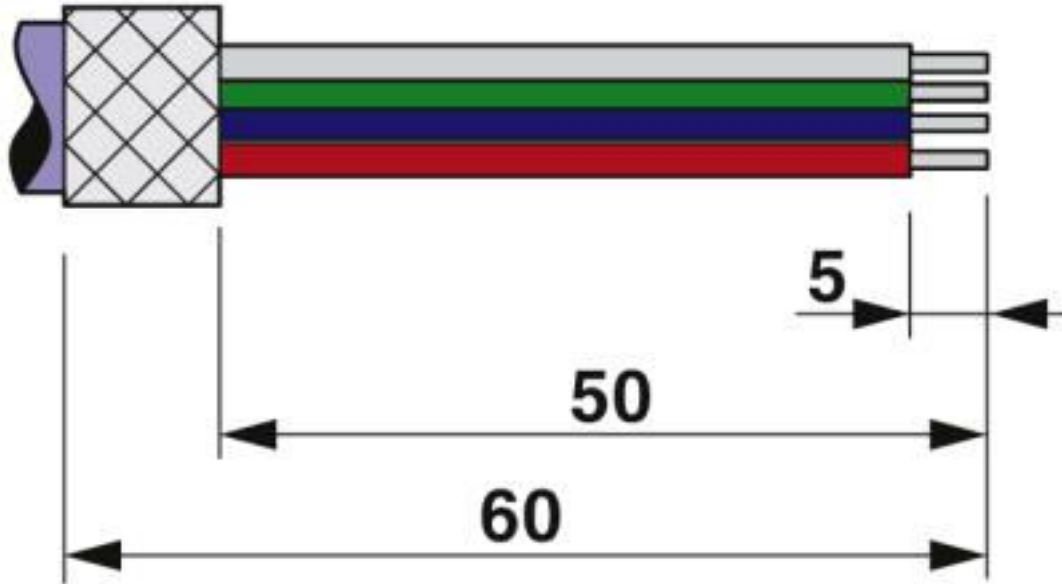
Dimensional drawing



Dimensional drawing SUBCON-PLUS...

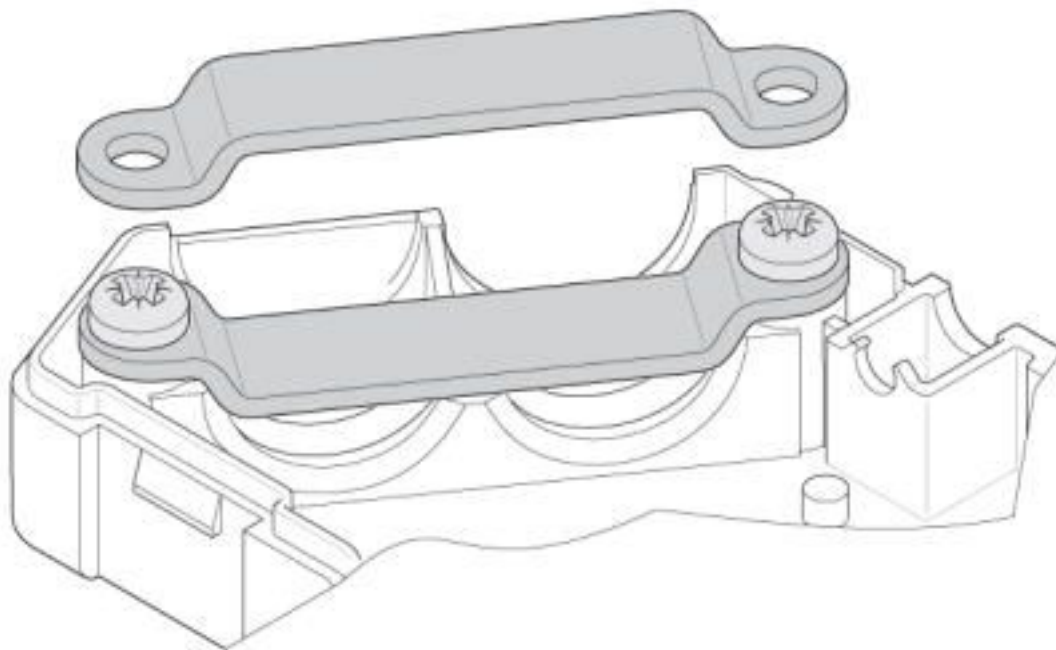
## D-SUB bus connector - SUBCON-PLUS F3 - 2761871

Schematic diagram



Stripping specifications

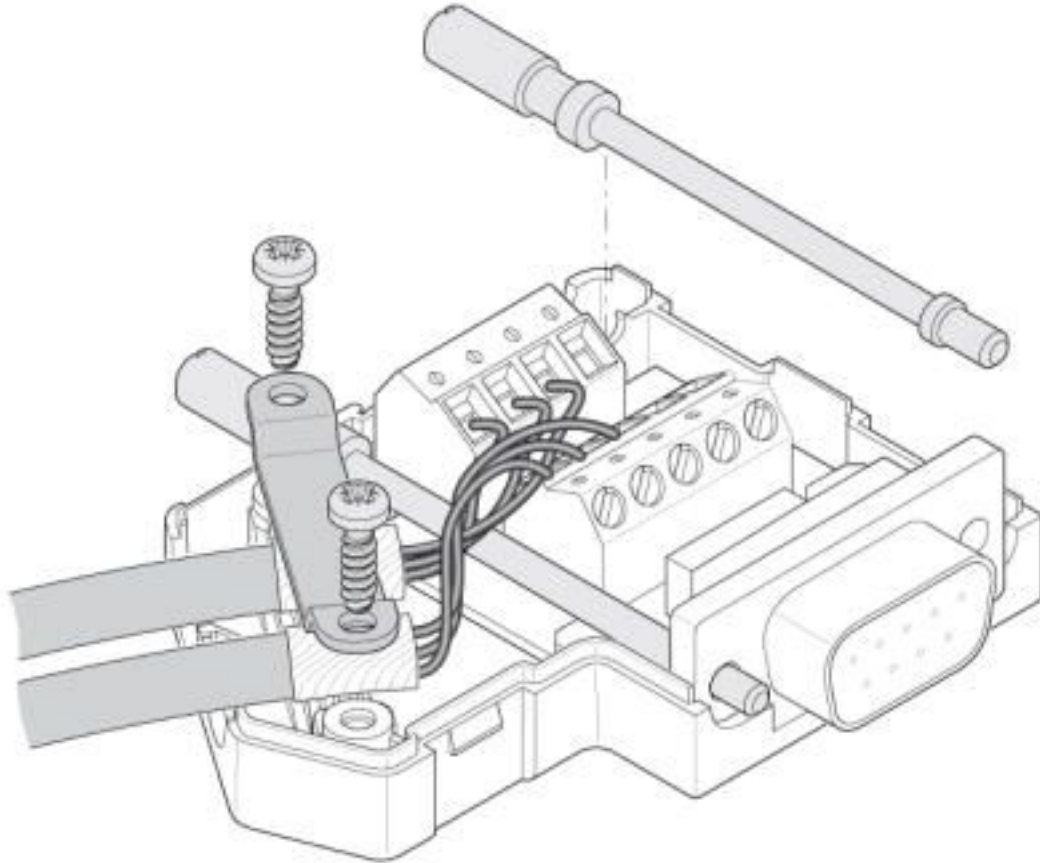
Schematic diagram



Clip bracket

## D-SUB bus connector - SUBCON-PLUS F3 - 2761871

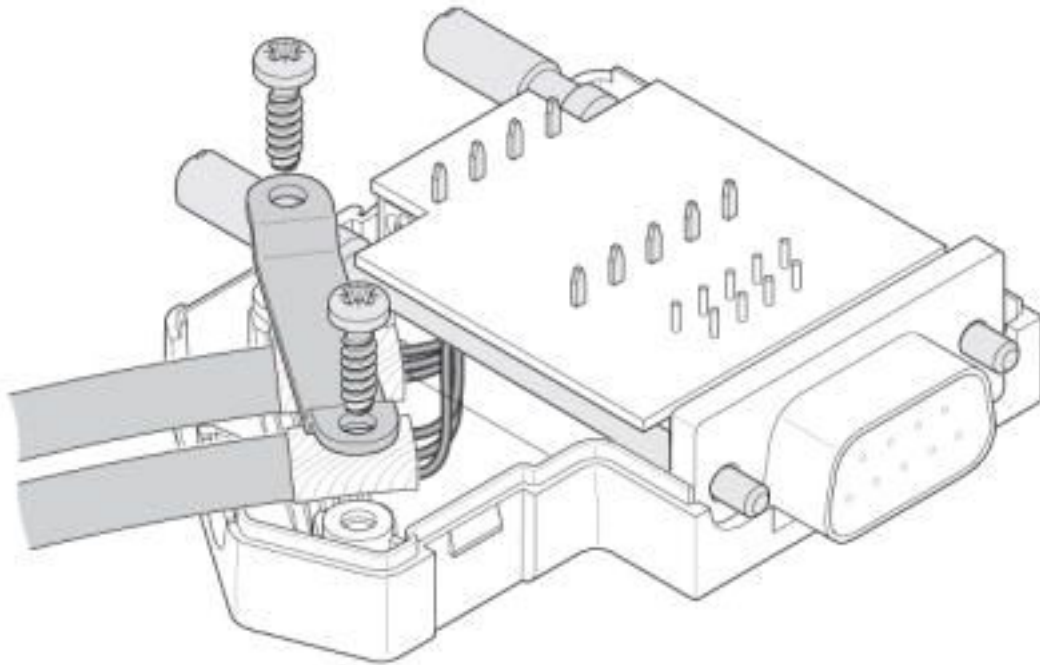
Schematic diagram



Left-hand side cable entry

## D-SUB bus connector - SUBCON-PLUS F3 - 2761871

Schematic diagram



Right-hand side cable entry

### Classifications

#### eCl@ss

eCl@ss 10.0.1	27440302
eCl@ss 4.0	27140800
eCl@ss 4.1	27140800
eCl@ss 5.0	27143400
eCl@ss 5.1	27143400
eCl@ss 6.0	27143400
eCl@ss 7.0	27440302
eCl@ss 8.0	27440302
eCl@ss 9.0	27440302

#### ETIM

ETIM 2.0	EC001132
ETIM 3.0	EC001132
ETIM 4.0	EC001132
ETIM 5.0	EC001132
ETIM 6.0	EC001132
ETIM 7.0	EC001132



# D-SUB bus connector - SUBCON-PLUS F3 - 2761871

## Classifications

### UNSPSC

UNSPSC 6.01	30211802
UNSPSC 7.0901	39121402
UNSPSC 11	39121402
UNSPSC 12.01	39121402
UNSPSC 13.2	39121522
UNSPSC 18.0	39121522
UNSPSC 19.0	39121522
UNSPSC 20.0	39121522
UNSPSC 21.0	39121522

## Approvals

### Approvals

#### Approvals

UL Recognized / cUL Recognized / EAC / cULus Recognized

#### Ex Approvals

ATEX

### Approval details

UL Recognized		<a href="http://database.ul.com/cgi-bin/XYV/template/LISEXT/1FRAME/index.htm">http://database.ul.com/cgi-bin/XYV/template/LISEXT/1FRAME/index.htm</a>	FILE E 238705
---------------	--	---	---------------

cUL Recognized		<a href="http://database.ul.com/cgi-bin/XYV/template/LISEXT/1FRAME/index.htm">http://database.ul.com/cgi-bin/XYV/template/LISEXT/1FRAME/index.htm</a>	FILE E 238705
----------------	--	---	---------------

EAC		EAC-Zulassung
-----	--	---------------

cULus Recognized	
------------------	--

## Accessories

### Accessories

## D-SUB bus connector - SUBCON-PLUS F3 - 2761871

### Accessories

#### Data plug

D-SUB gender changer - VS-09-GC-ST/ST - 1652651



D-SUB contact insert, shell size 1, with nine signal contacts, type of contact pin, gender changer, fixing with 4-40 UNC thread

---

### Mounting material

Screw - SUBCON-SHORT-SCREW - 2799694



Optional mounting screw, without knurl for narrow installation conditions, slotted head, length: 40 mm, UNC 4-40 thread Supplied as standard: 1 bag of 20 screws

---

Screw - SUBCON-RAENDEL-SCREW-3MM - 2310387



Optional mounting screw, with knurl for mounting by hand or using a screwdriver, bladed, length: 56 mm, metric M3 thread

---

### Screwdriver tools

Screwdriver - SZF 0-0,4X2,5 - 1204504



Actuation tool, for ST terminal blocks, also suitable for use as a bladed screwdriver, size: 0.4 x 2.5 x 75 mm, 2-component grip, with non-slip grip