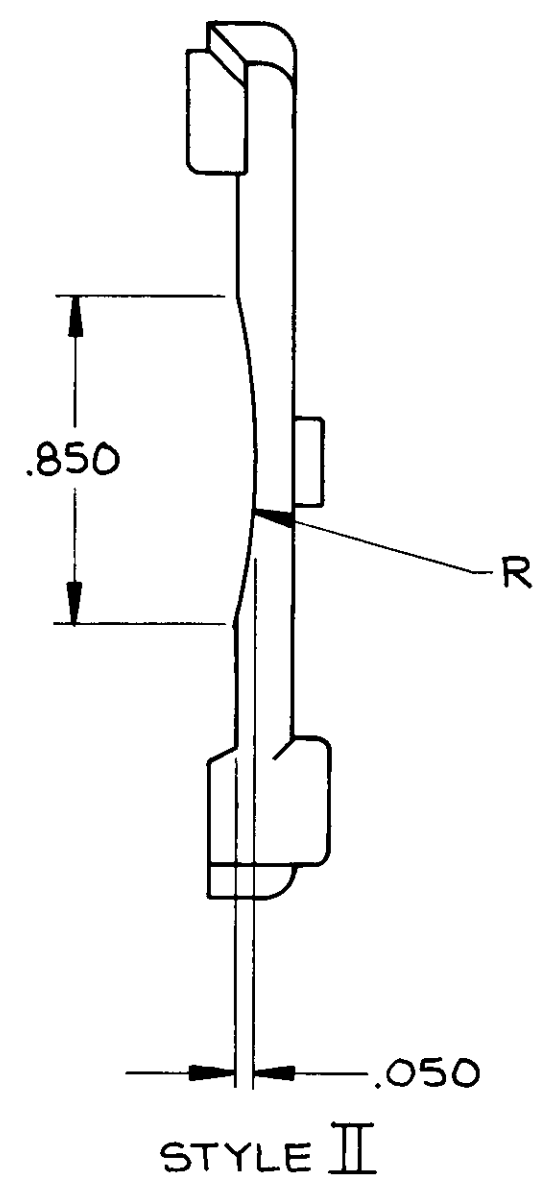
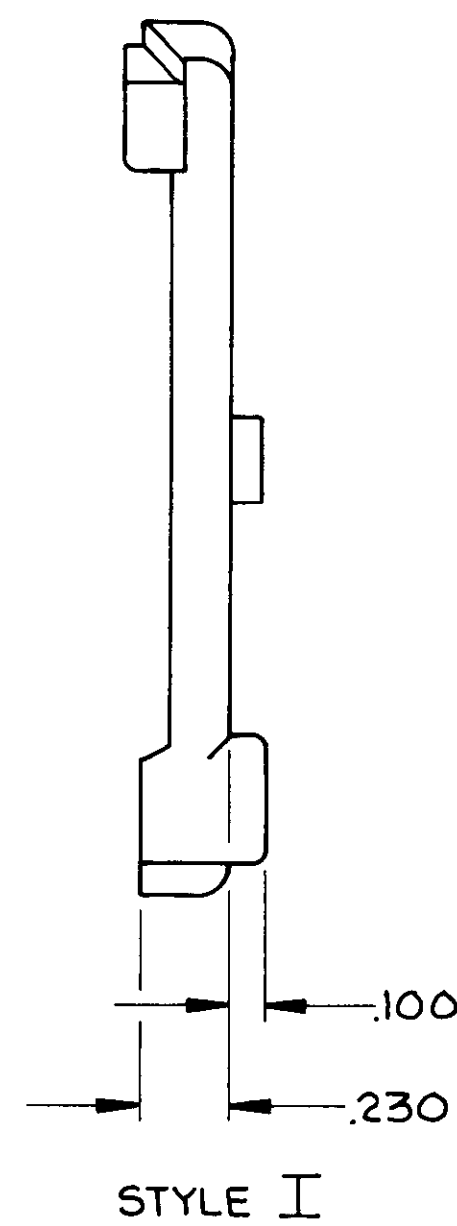
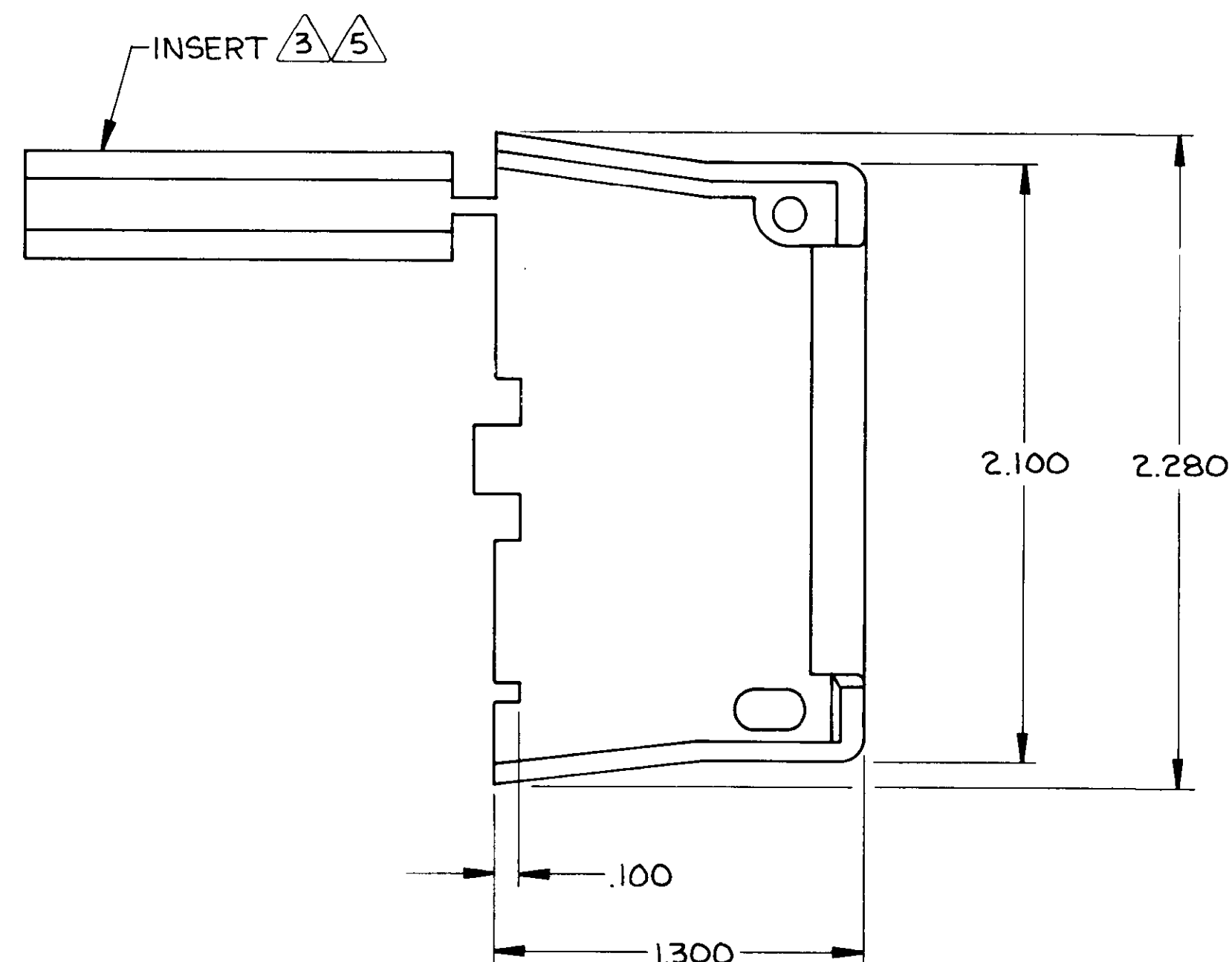
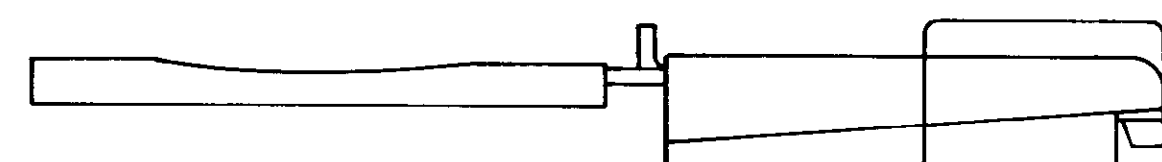
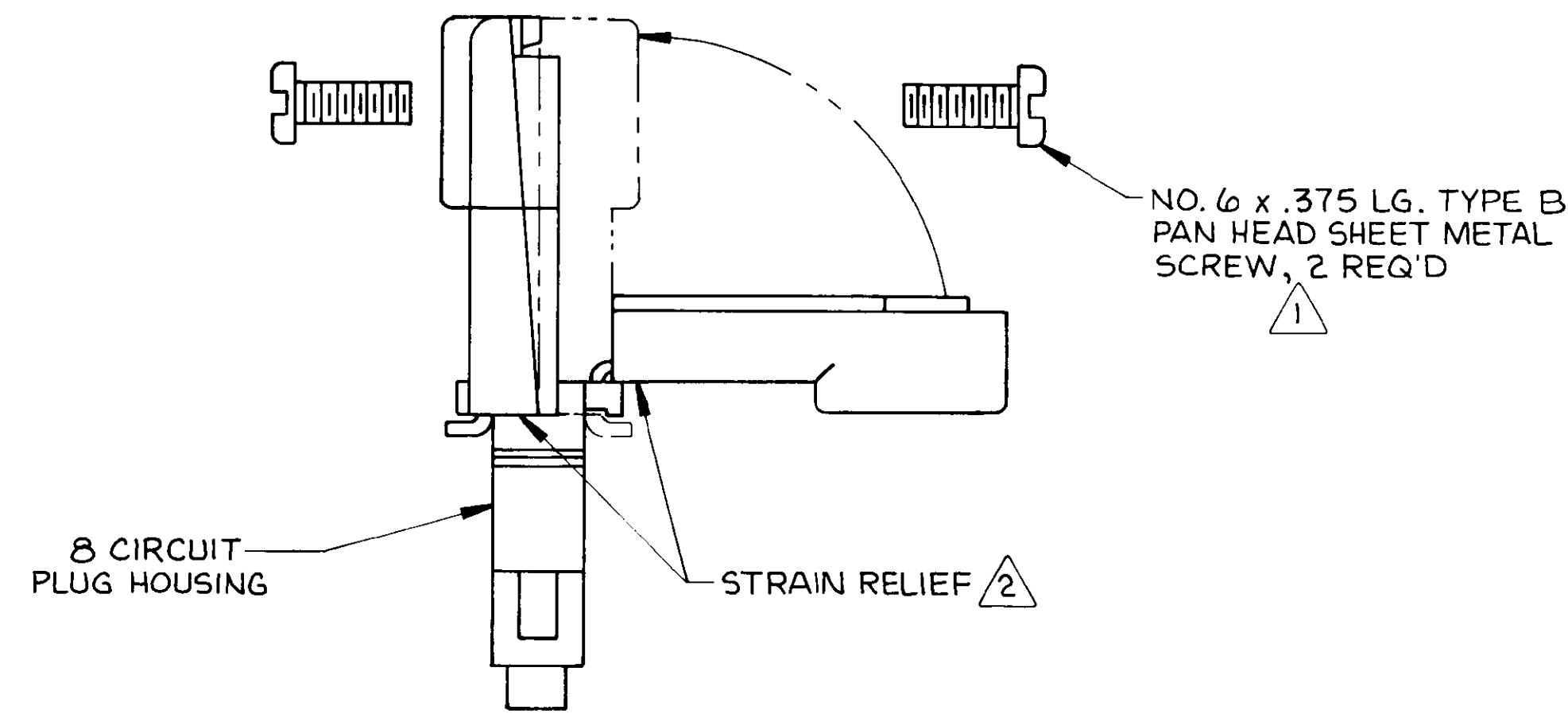


THIS DRAWING IS UNCLASSIFIED AND RELEASED FOR PUBLICATION
© AMP INCORPORATED, HARRISBURG, PA. ALL RIGHTS RESERVED.
RESERVED. ALL RIGHTS RESERVED BY U.S. AND FOREIGN PATENTS AND/OR PATENTS PENDING.

REVISIONS				DATE	APPROVED	
P	R	ZONE	TR	DESCRIPTION	DATE	APPROVED
			C	REV PER EC 0730-0201-94426-95	JH	RS



- ① SHEET METAL SCREWS NOT SUPPLIED.
- ② TWO REQUIRED PER CONNECTOR.
- ③ MAX WIRE BUNDLE WITHOUT INSERT IS 8 AT .190 DIA, AND MIN WIRE BUNDLE WITH INSERT IS 8 AT .040 DIA.
- 4. DETACHABLE INSERT MAY SEPARATE FROM STRAIN RELIEF BODY DURING SHIPPING.
- ⑤ STYLE II DOES NOT INCLUDE INSERT.



ASSEMBLY INFORMATION

II	643314-2
I	643314-1
STYLE	PART NO

UNLESS OTHERWISE SPECIFIED DIMENSIONS ARE IN INCHES		CONTRACT NO		AMP AMP INCORPORATED Harrisburg, Pa. 17105	
TOLERANCES ON: DECIMALS ± .015 ANGLES ±		DR <i>K. White</i> 9-28-87 CHK <i>R. Sving</i> 9-28-87 APPD <i>[Signature]</i> 9-28-87 APPD			
MATERIAL NYLON, UL 94V-0		DSGN APPD OTHER APPD		NAME STRAIN RELIEF AND INSERT, 8 CIRCUIT, UNIVERSAL MATE-N-LOK™	
		SIZE D	FSCM NO 00779	DRAWING NO 643314	
		SCALE 2:1		SHEET 1 OF 1	

Mouser Electronics

Authorized Distributor

Click to View Pricing, Inventory, Delivery & Lifecycle Information:

[TE Connectivity:](#)

[643314-1](#)