

**SAFETY ORGANIZATION(S),**

THIS FILTER HAS BEEN FORMALLY RECOGNIZED, CERTIFIED OR APPROVED BY THE LISTED AGENCY. THEREFORE, ALL TEST/REQUIREMENTS SPECIFIED IN THE LATEST REVISION OF THE FOLLOWING AGENCY STANDARDS HAVE BEEN MET:

UL RECOGNIZED	UL 1283
CSA CERTIFIED	CSA 22.2, NO.0,0.4,8
VDE APPROVED	VDE 565-3, 625

**OPERATING SPECIFICATIONS,**  
 LINE VOLTAGE/CURRENT: 3 AMP.; 120/250 VAC  
 2 AMP./40°C, 250 VAC

LINE FREQUENCY: 50-60Hz  
 MAX. LEAKAGE CURRENT, EACH  
 LINE TO GROUND .3mA @ 120V 60Hz  
 LINE TO LINE .5mA @ 250V 50Hz  
 OPERATING AMBIENT TEMP. RANGE: -10°C TO +40°C @ RATED CURRENT, I<sub>r</sub>

IN AN AMBIENT, T<sub>a</sub>, HIGHER THAN 40°C, THE MAXIMUM OPERATING CURRENT, I<sub>o</sub>, IS AS FOLLOWS:

$$I_o = I_r \sqrt{\frac{85-T_a}{45}}$$

**RELIABILITY SPECIFICATIONS:**

STORAGE TEMPERATURE: -25°C TO +65°C  
 HUMIDITY: 21 DAYS @ 40°C 95% RH  
 CURRENT OVERLOAD TEST: 6 TIMES RATED CURRENT FOR 8 SECONDS

**TEST SPECIFICATIONS:**

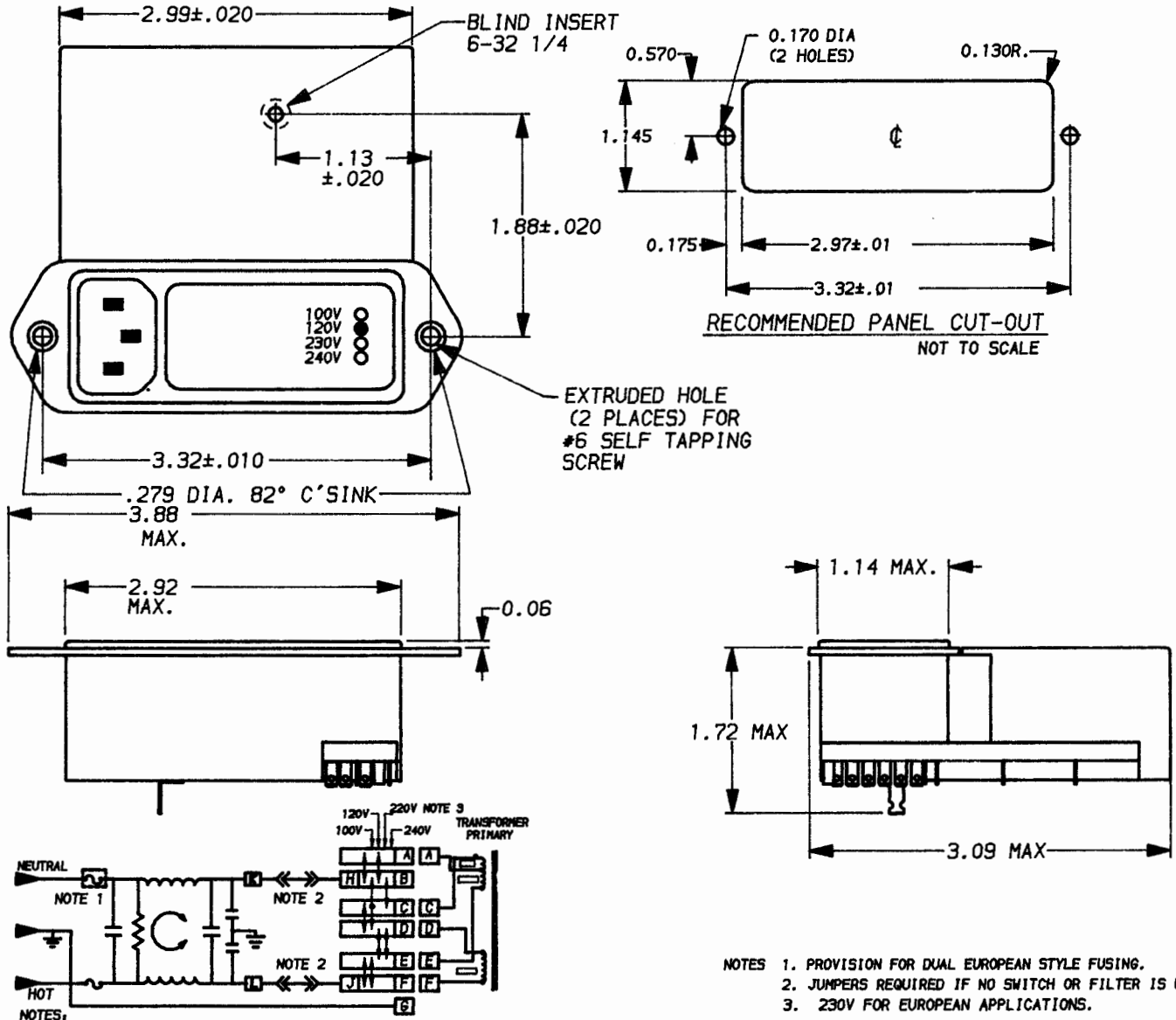
INDUCTANCE: 2.3mH NOMINAL  
 CAPACITANCE, (MEASURED @ 1 KHz, 0.25 VAC MAX., 25°C ±1°C)  
 LINE TO GROUND: .004µF ±20%  
 LINE TO LINE: .37µF ±20%  
 DISCHARGE RESISTOR: 820kΩ  
 LINE/GROUND AND LINE/LINE 6000 MΩ (MIN) AT 100 VDC  
 INSULATION RESISTANCE 20°C AND 50% RH  
 (W/O DISCHARGE RESISTOR)

**RECOMMENDED RECEIVING INSPECTION HIPOT,**

LINES TO GROUND: 1500 VAC FOR 1 MINUTE  
 LINE TO LINE: 1450 VDC FOR 1 MINUTE

**FILTER APPROVAL,**

THE BEST WAY TO SELECT AND QUALIFY A FILTER IS FOR YOUR ENGINEERING TO TEST THE UNIT IN YOUR EQUIPMENT.



- NOTES 1. PROVISION FOR DUAL EUROPEAN STYLE FUSING.  
 2. JUMPERS REQUIRED IF NO SWITCH OR FILTER IS USED.  
 3. 230V FOR EUROPEAN APPLICATIONS.

50Ω - 50Ω (MINIMUM) INSERTION LOSS									
FREQUENCY MHz	.01	.05	.07	.15	.50	1.0	5	10	30
COMMON dB	2	13	16	23	40	46	44	44	44
DIFF. dB	—	—	5	34	62	68	60	50	40

UNLESS OTHERWISE SPECIFIED,  
 TOLERANCE TO BE ±.025  
 MATERIAL & FINISH: AS SUPPLIED  
 This document is proprietary to CORCOM INC.  
 and is not to be reproduced nor used for  
 manufacturing purposes except on CORCOM'S  
 prior written consent.



POWER LINE FILTER

DATE: 4-18-94 CATALOG NO. 3EXM4.02  
 APPRVD. REV.

# Mouser Electronics

Authorized Distributor

Click to View Pricing, Inventory, Delivery & Lifecycle Information:

[TE Connectivity:](#)

[3EXM4](#)