

5

4

3

2

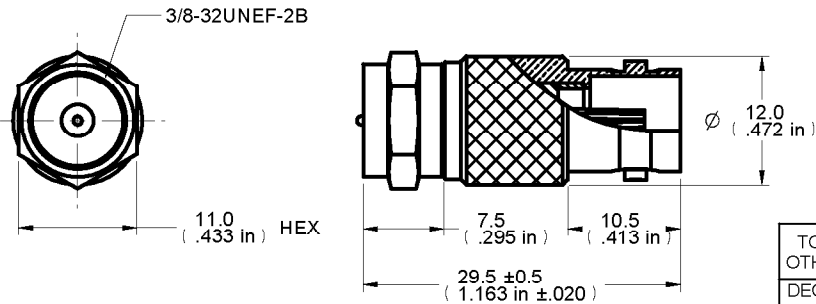
1

DRAWING NO.					
28-81007-CUST					
REVISIONS					
OFFICIAL RELEASE					
01	10-21-09	Y	U	Y	2009.12.11 10:29:32 +08:00



Description: 75 Ohm BNC Female to F Male
 Part No: 28-81007
 Application: Adapter
 Crimp Tool: N/A
 Impedance: 75 Ohm
 Frequency Range: 0-750 Mhz
 Material: Body Brass Nickel plated
 Contact Beryllium Gold plated
 Insulator Teflon
 Nut Brass Nickel plated
 RoHS Compliance: Yes
 Technical Detail: F End Refer to Emerson Document P/N 25-0000
 BNC End Refer to Emerson Document P/N 27-0000

受控 CONTROLLED DOCUMENT					
编号 P/N	28-81007	版本 Rev	01	日期 Rel'd Date	DEC 17, 09



DIM OUTLINE

CUSTOMER COPY

TOLERANCE UNLESS OTHERWISE SPECIFIED		DRAWN BY		DATE		Connectivity Solutions
DECIMALS	mm	BETTY.YU		10-21-09		
X	± 0.5	CHECKED BY		DATE		TITLE 75 OHM BNC FEMALE TO F MALE
X.X	± 0.3	BETTY.YU		10-21-09		
X.XX	± 0.1	APPROVED BY		DATE		
ANGLES	± 0.5°	THOMAS		10-21-09		SHEET 1 OF 1 DRAWING NO. 28-81007-CUST SIZE A
THIS DRAWING WAS PRODUCED BY COMPUTER, DO NOT SCALE DRAWING OR UPDATE MANUALLY.		U/M		mm		

5

4

3

2

1

Mouser Electronics

Authorized Distributor

Click to View Pricing, Inventory, Delivery & Lifecycle Information:

[Cinch Connectivity Solutions:](#)

[28-81007](#)