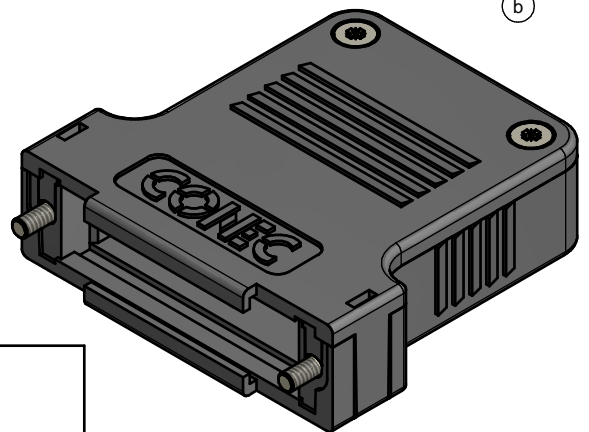


NOTES: (b)

1. HOOD + COVER: PBT UL 94 V-0; BLACK
2. CABLE STRAIN RELIEF: STEEL; NICKEL PLATED
3. PRESS INSERT: ABS UL 94 V-0; BLACK
4. SHORT SCREWS: STEEL; NICKEL PLATED
5. COVER SCREWS: STEEL; NICKEL PLATED
6. LENS HEAD SCREWS: STEEL; NICKEL PLATED

TECHNICAL DATA:

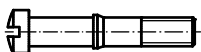
- TEMPERATURE RANGE: -40°C to + 125°C



CABLE STRAIN RELIEF (1x)



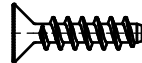
LENS HEAD SCREW (2x)



SHORT SCREW (2x)



PRESS INSERT (1x)



COVER SCREW (2x)

<p>RoHS compliant</p>	<p>THIS DRAWING MAY NOT BE COPIED OR REPRODUCED IN ANY WAY, AND MAY NOT BE PASSED ON TO A THIRD PARTY WITHOUT WRITTEN PERMISSION. OWNERSHIP AND COPYRIGHT OF CONEC GmbH</p>	DO NOT ALTER CAD DRAWING BY HAND				tolerance		scale: 2:1	
						dim. in mm	material: SEE NOTES		
						drawn	14.04.2015	Heinrich	title: PLASTIC HOOD 25pos. with straight cable exit
						appd.	14.04.2015	Lehmenkühler	
				norm			dwg no:	DIN-A3	
				d-old	16K1A707		(b) 16K1A3620	sh: 1	
				5 x b	A5607	14.04.15		M.H.	part no: 165X13389X / 600X10025XS (b)
				a	Original				
				rev.	description	date	name		



Mouser Electronics

Authorized Distributor

Click to View Pricing, Inventory, Delivery & Lifecycle Information:

CONEC:

[165X13369XE](#) [165X13379XE](#) [165X13389XE](#) [165X13399XE](#) [165X13409XE](#) [165X13389X](#) [165X13399X](#)
[165X13409X](#)