

THIS DRAWING IS UNPUBLISHED.

RELEASED FOR PUBLICATION

© COPYRIGHT

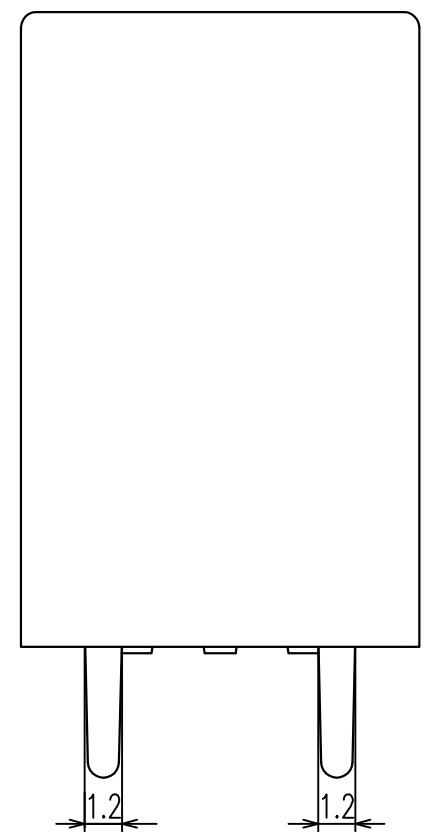
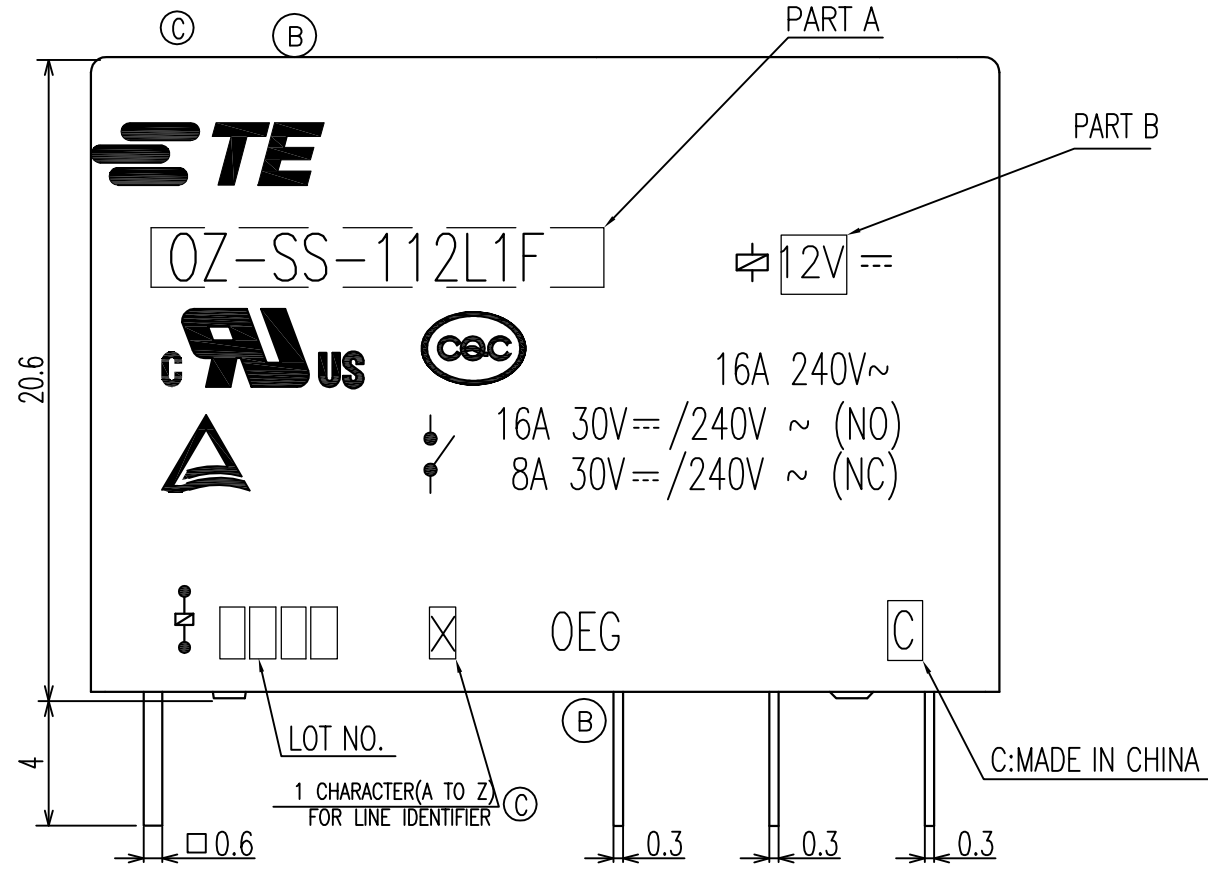
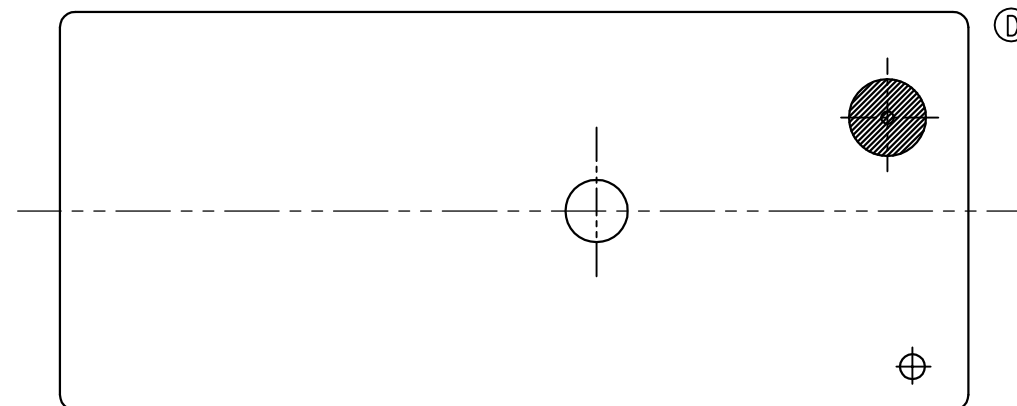
ALL RIGHTS RESERVED.

LOC

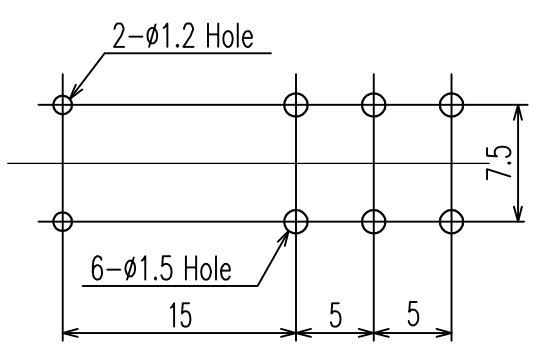
DIST

REVISIONS

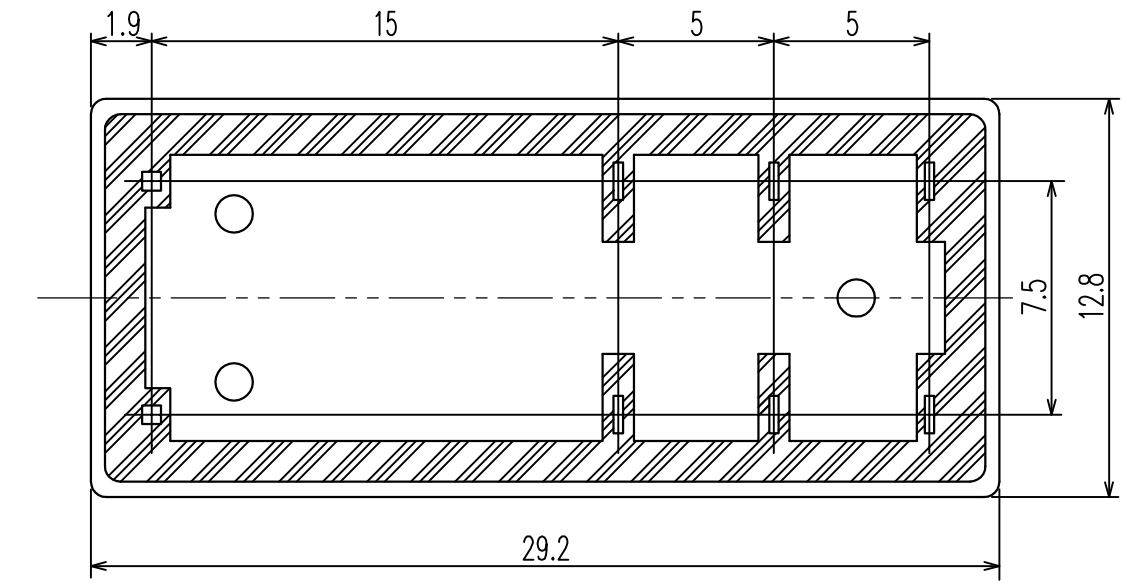
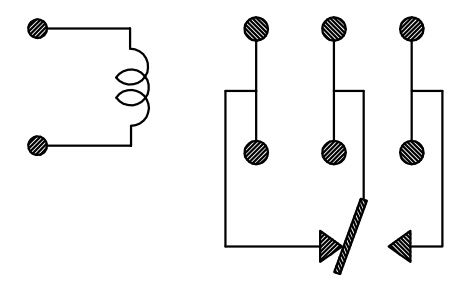
P	LTR	DESCRIPTION	DATE	DWN	APVD
C		1.UPDATE TE LOGO 2.ADD LINE IDENTIFICATION	09-APR-12	D.L	BH.Y
D		3.TERMINALS TOLERANCE CLARIFICATION 4.VENT HOLE CHANGE CHANGE THE VENT HOLE SHAPE FROM RECTANGLE TO CIRCLE ONE	16-DEC-13	XL,Y	B,F



DRILLING DIAGRAM(2/1)
(BOTTOM VIEW)



CIRCUIT DIAGRAM
(BOTTOM VIEW)



DWN N.FUNAYAMA		TE Connectivity			
CHK T.FUKAYA					
APVD MJ.HO		NAME			
PRODUCT SPEC -		OZ CUSTOMER DRAWING			
APPLICATION SPEC -					
WEIGHT -		SIZE A3	CAGE CODE 00779	DRAWING NO C= 1649399	RESTRICTED TO -
MATERIAL -		SCALE 4:1		SHEET 1 OF 2	REV D
CUSTOMER DRAWING					

DIMENSIONS:	TOLERANCES UNLESS OTHERWISE SPECIFIED:
mm	
	±
	±
	±
	±
	±
ANGLES	±

4

3

2

1

THIS DRAWING IS UNPUBLISHED.

RELEASED FOR PUBLICATION

© COPYRIGHT

ALL RIGHTS RESERVED.

LOC
HB

DIST

REVISIONS

P	LTR	DESCRIPTION	ECN	DATE	DWN	APVD

NOTES:

1.LOT NO. SYSTEM AS FOLLOWING:

0 8 2 5
 _____ WEEK
 _____ YEAR

2.GENERAL TOLERANCE AS FOLLOWING:

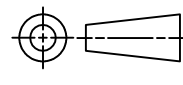
TOLERANCE	
0~0.99mm	±0.1
1mm~2.99mm	±0.2
3mm MIN.	±0.3


3.TERMINAL DIMENSION IS NOT INCLUDING SOLDER TIP.

© 4.FOR THE TIN-PLATING OF THE PINS:
 +0.1mm FOR WIDTH,THICKNESS AND DIAMETER.
 +0.5mm FOR LENGTH.

(A1)	3-1649399-0	OZ-SH-148D1	48V	OZ-SH-148D1
(A1)	2-1649399-9	OZ-SH-124D1	24V	OZ-SH-124D1
(A1)	2-1649399-8	OZ-SH-118D1	18V	OZ-SH-118D1
(A1)	2-1649399-7	OZ-SH-112D1	12V	OZ-SH-112D1
(A1)	2-1649399-6	OZ-SH-109D1	9V	OZ-SH-109D1
(A1)	2-1649399-5	OZ-SH-106D1	6V	OZ-SH-106D1
(A1)	2-1649399-4	OZ-SH-105D1	5V	OZ-SH-105D1
(A1)	2-1649399-3	OZ-SS-148D1	48V	OZ-SS-148D1
(A1)	2-1649399-2	OZ-SS-124D1	24V	OZ-SS-124D1
(A1)	2-1649399-1	OZ-SS-118D1	18V	OZ-SS-118D1
(A1)	2-1649399-0	OZ-SS-112D1	12V	OZ-SS-112D1
(A1)	1-1649399-9	OZ-SS-109D1	9V	OZ-SS-109D1
(A1)	1-1649399-8	OZ-SS-106D1	6V	OZ-SS-106D1
(A1)	1-1649399-7	OZ-SS-105D1	5V	OZ-SS-105D1
	1-1649399-6	OZ-SH-148L1	48V	OZ-SH-148L1
	1-1649399-5	OZ-SH-136L1	36V	OZ-SH-136L1
	1-1649399-4	OZ-SH-124L1	24V	OZ-SH-124L1
	1-1649399-3	OZ-SH-118L1	18V	OZ-SH-118L1
	1-1649399-2	OZ-SH-112L1	12V	OZ-SH-112L1
	1-1649399-1	OZ-SH-109L1	9V	OZ-SH-109L1
	1-1649399-0	OZ-SH-106L1	6V	OZ-SH-106L1
	1649399-9	OZ-SH-105L1	5V	OZ-SH-105L1
	1649399-8	OZ-SS-148L1	48V	OZ-SS-148L1
	1649399-7	OZ-SS-136L1	36V	OZ-SS-136L1
	1649399-6	OZ-SS-124L1	24V	OZ-SS-124L1
	1649399-5	OZ-SS-118L1	18V	OZ-SS-118L1
	1649399-4	OZ-SS-112L1	12V	OZ-SS-112L1
	1649399-3	OZ-SS-109L1	9V	OZ-SS-109L1
	1649399-2	OZ-SS-106L1	6V	OZ-SS-106L1
	1649399-1	OZ-SS-105L1	5V	OZ-SS-105L1
	PART NO	EC TYPE NAME	PART B	PART A

RELAY TYPE

DIMENSIONS: mm	TOLERANCES UNLESS OTHERWISE SPECIFIED:
	0 PLC ± 1 PLC ± 2 PLC ± 3 PLC ± 4 PLC ± ANGLES ±
MATERIAL	FINISH
-	-

DWN	 TE Connectivity OZ CUSTOMER DRAWING				
CHK					
APVD					
PRODUCT SPEC					
APPLICATION SPEC	NAME	SIZE	CAGE CODE	DRAWING NO	RESTRICTED TO
WEIGHT	-	A3	00779	© 1649399	-
CUSTOMER DRAWING	SCALE	4:1	SHEET	2 OF 2	REV D

INCOMBUSTIBILITY	TREATMENT	MATERIAL	DESCRIPTION	ITEM
		UV RESIN	UV SEAL	17
		EPOXY RESIN	SEAL	16
		Cu ALLOY	HINGE SPRING	15
UL94 V-0		PBT	CASE	14
		POLYURETHANE COPPER WIRE	MAGNETIC WIRE	13
UL94 V-0		PET	BASE	12
UL94 V-0		PBT	BOBBIN	11
	SOLDER DIP	HCP WIRE	COIL TERMINAL	10
UL94 V-0		PPS	CARD	9
		Ag ALLOY	MOVABLE CONTACT	8
		Ag ALLOY	STATIONARY CONTACT	7
	SOLDER DIP	Cu ALLOY	NC TERMINAL	6
	SOLDER DIP	Cu ALLOY	MOVABLE SPRING	5
	SOLDER DIP	Cu ALLOY	NO TERMINAL	4
	Ni PLATED	STEEL	CORE	3
	Ni PLATED	STEEL	ARMATURE	2
	Ni PLATED	STEEL	YOKE	1

Mouser Electronics

Authorized Distributor

Click to View Pricing, Inventory, Delivery & Lifecycle Information:

[TE Connectivity:](#)

[1649399-4](#)