

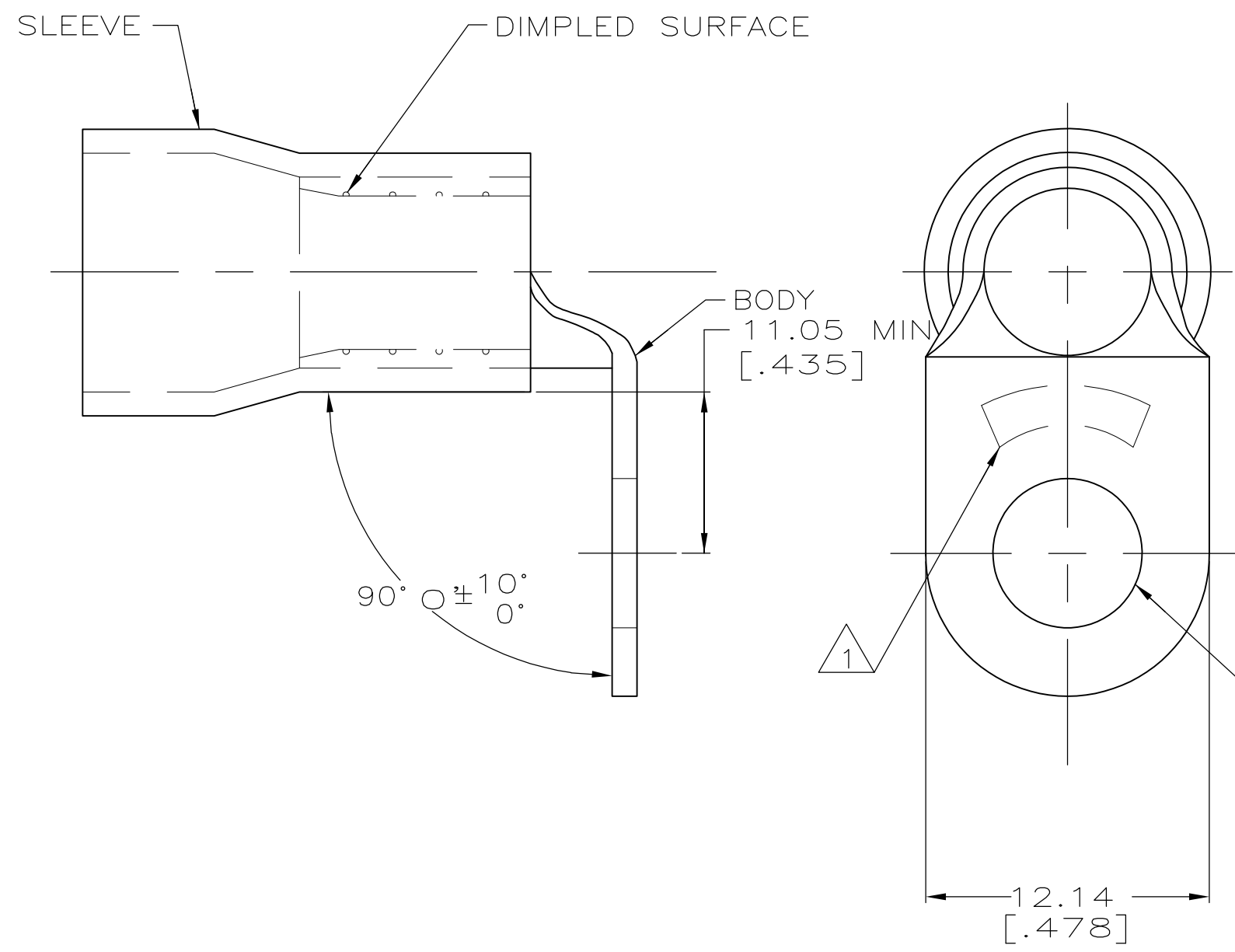


THIS DRAWING IS UNPUBLISHED. RELEASED FOR PUBLICATION
 © COPYRIGHT BY TYCO ELECTRONICS CORPORATION. ALL INTERNATIONAL RIGHTS RESERVED.

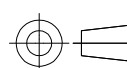
LOC	DIST	REVISIONS					
		P	LTR	DESCRIPTION	DATE	DWN	APVD
G	14		H1	REVISED PER ECO-11-002228	11FEB11	HMR	DR

AMP WIRE RANGE	 FILE E13288	 LR7189 Certified
8 AWG STRANDED	8 AWG STRANDED	8 AWG STRANDED



- 1 STAMP AMP 8* LOCATE APPROX AS SHOWN
- 2 TONGUE MATERIAL THK 1.02±0.08[.040±.003]
- 3 WIRE INSULATION DIA 9.14[.360] MAX

6.73±0.13[.265±.005] DIA
(FOR 1/4 STUD)

AMP INCORPORATED CUSTOMER SERVICE SYSTEMS		MAX RECOMMENDED OPERATING TEMPERATURE: 105° C	THIS DRAWING IS A CONTROLLED DOCUMENT.		DWN S.S. GOULDEN 10-7-93	100	LOOSE PC	54725-1
FOR ADDITIONAL PRODUCT INFORMATION OR COPIES OF DRAWINGS AND TECHNICAL DOCUMENTS	PRODUCT INFORMATION CENTER 1-800-522-6752	VOLTAGE RATING: 600 V MAX	DIMENSIONS: mm [INCHES]	TOLERANCES UNLESS OTHERWISE SPECIFIED:	CHK R. HERSEY 10-7-93	QTY	PACKAGE TYPE	PART NO
FOR APPLICATION TOOLING INFORMATION	TOOLING ASSISTANCE CENTER 1-800-722-1111	CIRCULAR MIL AREA: 6.64-10.54mm ² [13,100-20,800]		0 PLC ± - 1 PLC ± - 2 PLC ± 0.20[.008] 3 PLC ± - 4 PLC ± - ANGLES ± -	APVD B. BARE 10-7-93	NAME Tyco Electronics Corporation Harrisburg, PA 17105-3608		
FOR ORDER ENTRY	1-800-526-5142	THIS DRAWING IS A CONTROLLED DOCUMENT FOR AMP INCORPORATED. IT IS SUBJECT TO CHANGE AND THE CONTROLLING ENGINEERING ORGANIZATION SHOULD BE CONTACTED FOR THE LATEST REVISION.	MATERIAL COPPER PER ASTM B-152 PVC, COLOR: RED	FINISH TIN PLATE PER ASTM-B545	PRODUCT SPEC NOT AVAILABLE	TERMINAL, RING TONGUE-BENT 90 DEG PLASTI-GRIP™ WIRE SIZE: 8 AWG		
			CUSTOMER DRAWING		APPLICATION SPEC 114-2161	SIZE A3	CAGE CODE 00779	DRAWING NO G-54725
					WEIGHT -	RESTRICTED TO -	SCALE 4:1	SHEET 1 OF 1
						REV H1		

Mouser Electronics

Authorized Distributor

Click to View Pricing, Inventory, Delivery & Lifecycle Information:

[TE Connectivity:](#)

[54725-1](#)