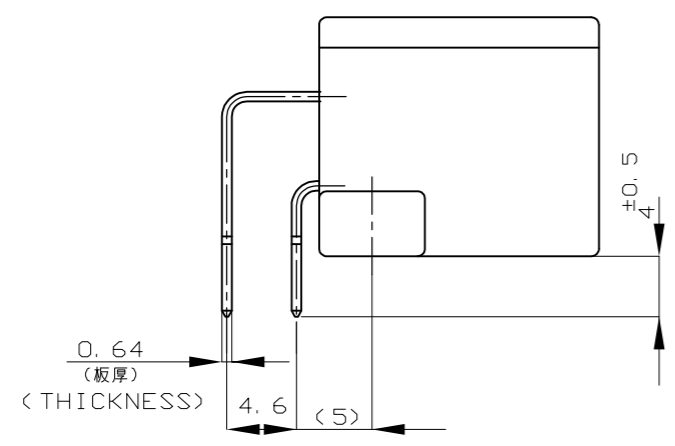
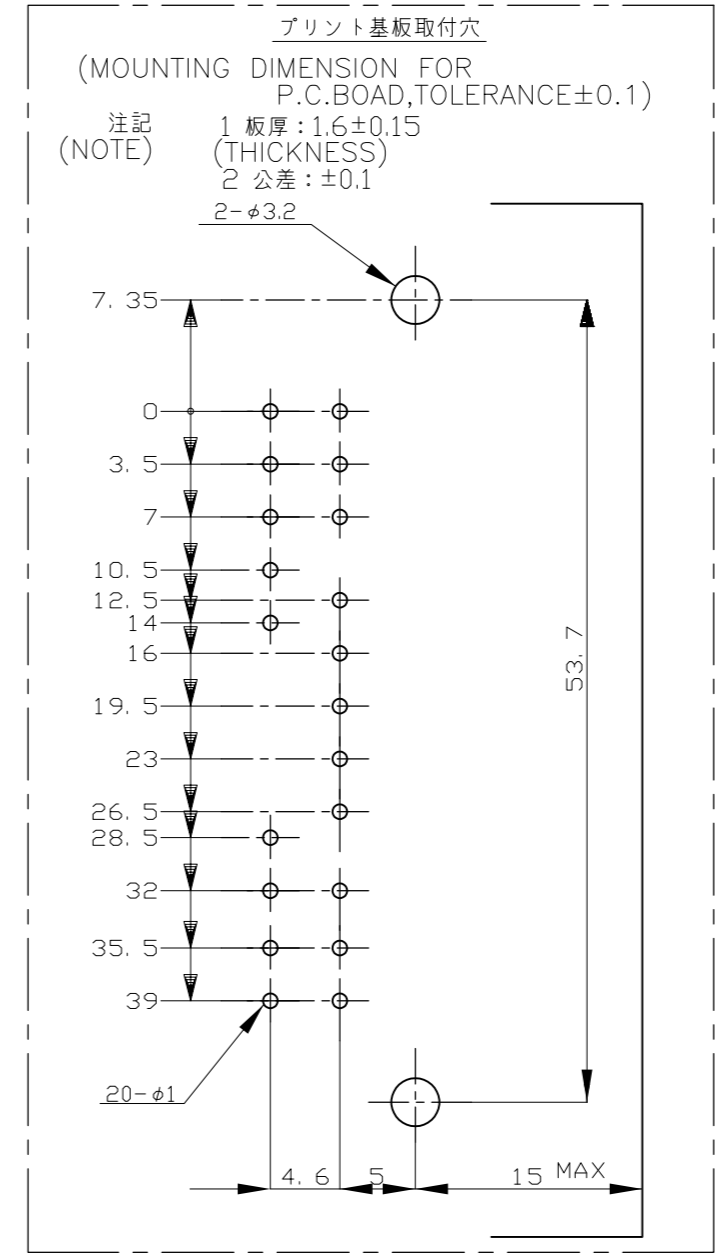
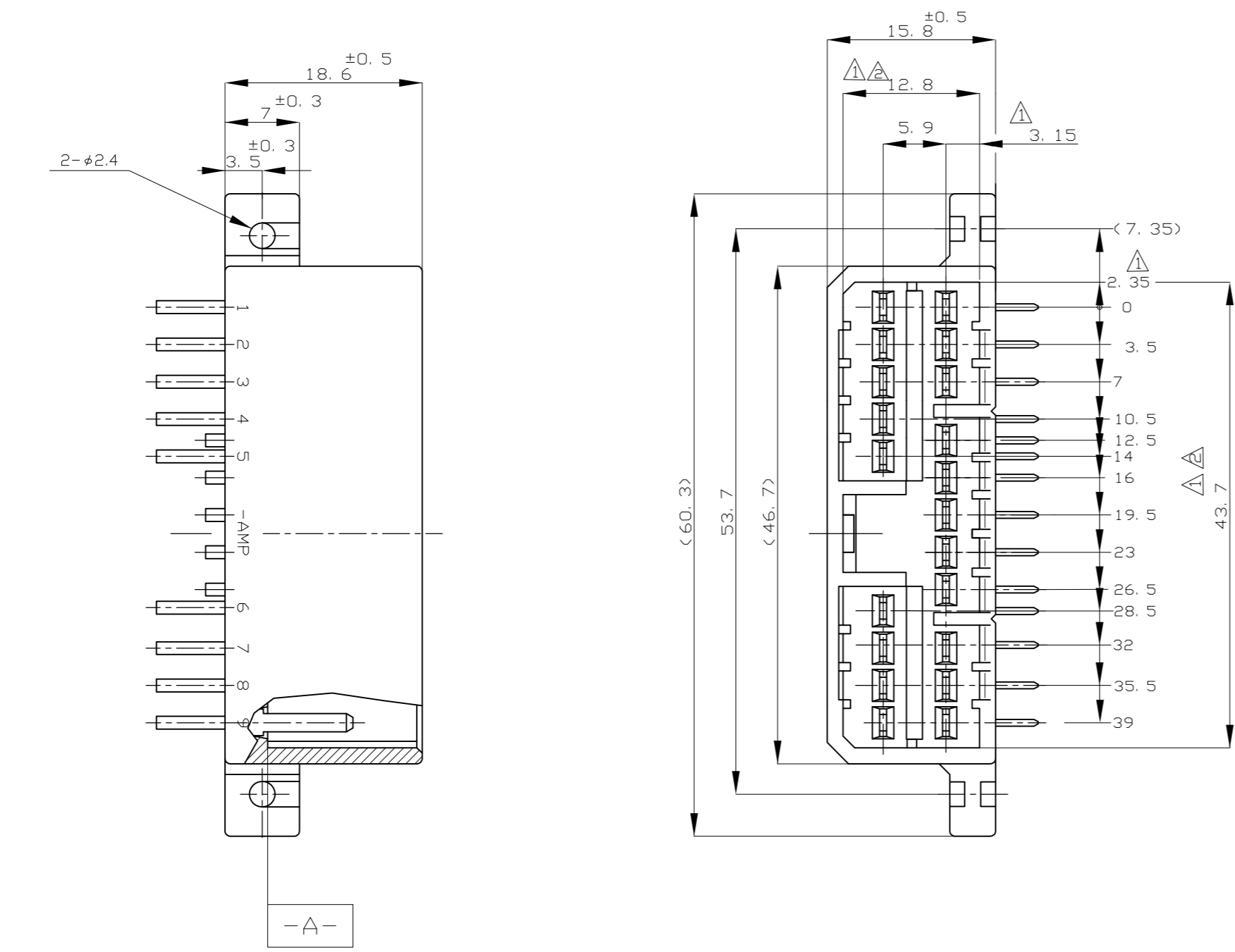


THIS DRAWING IS UNPUBLISHED. RELEASED FOR PUBLICATION  
 © COPYRIGHT 2004 By - ALL RIGHTS RESERVED.

LOC		DIST		REVISIONS			
J	-	P	LTR	DESCRIPTION	DATE	DWN	APVD
		D4		REVISED PER ECO-11-005140	28MAR11	RK	HMR



注記  $\triangle$   $\square$  面より2mmの範囲で測定  
 $\triangle$  相手ハウジング (型番: 174952) と  
 所定の機能を満たして嵌合できること  
 3 プリント基板への取付けは、JIS-B1115  
 又は1122, M3X6ナベ (2種又は4種) の  
 タッピングネジで締め付けた後ハンダ付けする。  
 (締め付けトルク: 4kg-cm以下)

NOTE  $\triangle$  MUST BE KEPT BETWEEN  $\square$  AND 2  
 $\triangle$  TO MATE WITH PLUG HSG  
 (P/N 174952) SMOOTHLY  
 3 RECOMMEND MOUNTING SCREW; M3X6 PAN HEAD,  
 CLASS 2 TAPPING SCREW SPECIFIED IN  
 JIS B1115, B1122  
 (TIGHTENING TORQUE; 4Kg-cm MAX)

TOLERANCE UNLESS OTHERWISE SPECIFIED: 一般公差

0 < * ≤ 10	: ±0.2
10 < * ≤ 30	: ±0.25
30 < * ≤ 100	: ±0.3
ANGLE	: ±3°
角度	

OBSOLETE	BRASS	SELECTIVE-TIN	PRE-TIN	BLACK	9-175785-2
	BRASS		PRE-TIN	GRAY	175785-6
	BRASS	SELECTIVE-TIN (MATTE)	SELECTIVE GOLD	WHITE	175785-3
	PHOSPHOR BRONZE		PRE-TIN	WHITE	175785-2
	BRASS		PRE-TIN	WHITE	175785-1
	CONTACT MATERIAL	SOLDERING SIDE 半田付け部	CONTACT SIDE 接触部側	COLOR 色	PART NUMBER 製品型番
		CONTACT FINISH コンタクト仕上げ			

THIS DRAWING IS A CONTROLLED DOCUMENT.		DWN	19FEB04	A.YAMAGUCHI	
DIMENSIONS: 単位: 寸 mm		CHK	19FEB04	K.BETSUI	
TOLERANCES UNLESS OTHERWISE SPECIFIED: 一般公差		APVD	19FEB04	K.BETSUI	
0 PLC ±		PRODUCT SPEC		NAME	
1 PLC ± -		製品規格		070 SERIES MULTILOCK I/O CONNECTOR	
2 PLC ± -		APPLICATION SPEC		20POSITION CAP HOUSING	
3 PLC ± -		取付適用規格		(W-B(H-TYPE))	
4 PLC ± -		WEIGHT		SIZE	
ANGLES ± -		-		CAGE CODE	
FINISH 仕上		-		DRAWING NO	
HSG:PBT		-		番号	
TAB:SEE TABLE		-		SCALE	
		SEE TABLE		2:1	
		CUSTOMER DRAWING		SHEET	
				1 of 1	
				REV	
				D4	

# Mouser Electronics

Authorized Distributor

Click to View Pricing, Inventory, Delivery & Lifecycle Information:

[TE Connectivity:](#)

[175785-2](#)