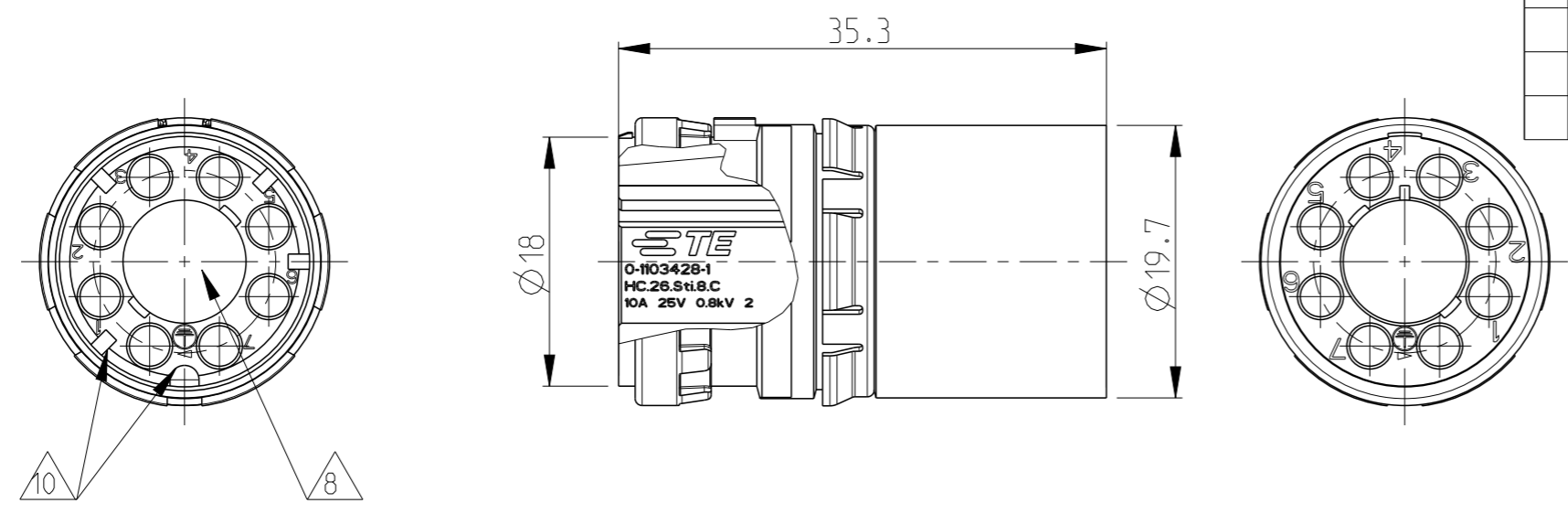
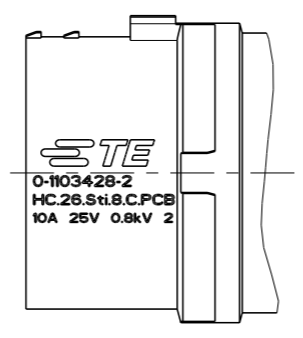


LOC	DIST	REVISIONS			
P	LTR	DESCRIPTION	DATE	DWN	APVD
		[2] ECR-11-021475	24OCT2011	GW	BR
		[3] ECR-15-014241	27OCT2015	RK	JB
		[4] REV. PER ECR-16-000458	12JAN2016	ER	DO
		[5] PRINT (PARTIAL) MOVED TO ITEM NO. 1 (PCN E-17-007296)	23MAY2017	ER	DO

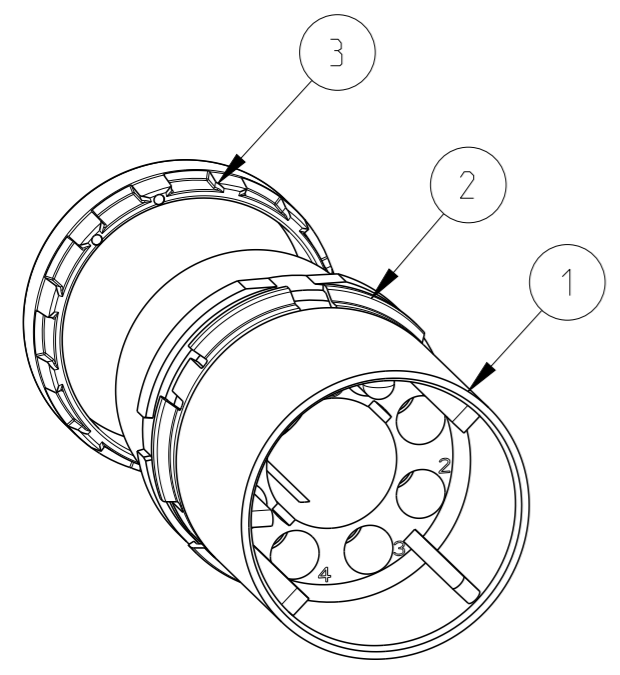
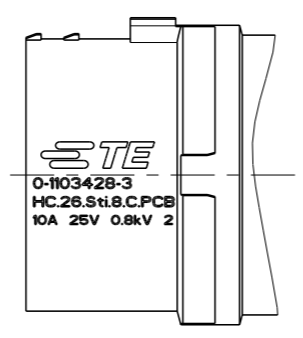


- Notes
- 1 SUITABLE HOUSINGS: SERIES HC26
CUSTOMER DRAWING: 1103433, 1103434
 - 2 OUTER DIMENSIONS OF INSULATION: MAX. Ø3.2 MM
 - 3 SUITABLE CRIMP CONTACTS:
CUSTOMER DRAWING: 827040
 - 4 SUITABLE SUB-MIN. COAXICON CONTACTS:
CUSTOMER DRAWING: 51563
 - 5 SUITABLE LWL (OPTICS) CONTACTS:
CUSTOMER DRAWING: 216341
 - 6 SUITABLE INSERTION TOOL:
CUSTOMER DRAWING: 1102855
 - 7 SUITABLE EXTRACTION TOOL:
CUSTOMER DRAWING: 1102855
 - 8 SUITABLE SIGNAL INSERT:
CUSTOMER DRAWING: 1103426
 - 9 STANDARDS:
DIN EN 61984, DIN EN 60664-1
 - 10 POLARIZATION RIPS
 - 11 PACKAGING 0-1 /0-2:
40 SETS IN A CARTON
 - 12 PACKAGING 0-3:
40 PIECE

LABELING PN 0-2



LABELING PN 0-3



PN 0-1 AS SHOWN

PN/QTY	DESCRIPTION	MATERIAL	COLOR	NOTE	ITEM
- - 1	ADAPTOR RING	PA-66-GF25	GREY	SERIES HC26, INSERT	3
- - 1	RETAINING RING	PA-66-GF25	GREY	SERIES HC26, INSERT	2
1 1 1	MALE INSERT	PBT-GF10	GREY	SERIES HC26, INSERT	1

THIS DRAWING IS A CONTROLLED DOCUMENT.

DIMENSIONS: mm	TOLERANCES UNLESS OTHERWISE SPECIFIED: 0 PLC ± 1 PLC ± 2 PLC ± 3 PLC ± 4 PLC ± ANGLES ±	MATERIAL -	FINISH -	DWN H.BRAUN 28OCT2008 CHK T.VETTER 28OCT2008 APVD T.SCHNURPFEL 28OCT2008 PRODUCT SPEC 108-94485 APPLICATION SPEC 114-94369 WEIGHT -	TE Connectivity NAME MALE INSERT ASS'Y SERIES HC26, 8-POS., TYPE III+ CIRCULAR HYBRID CONNECTOR SIZE A3 CAGE CODE 00779 DRAWING NO. C-1103428 RESTRICTED TO -
-------------------	---	---------------	-------------	--	--

Customer Drawing SCALE 2:1 SHEET 1 OF 1 REV C5

Mouser Electronics

Authorized Distributor

Click to View Pricing, Inventory, Delivery & Lifecycle Information:

[TE Connectivity:](#)

[1103428-1](#)