

Housing - HC-B 16-AFQD - 1771600

Please be informed that the data shown in this PDF Document is generated from our Online Catalog. Please find the complete data in the user's documentation. Our General Terms of Use for Downloads are valid (<http://phoenixcontact.com/download>)



HEAVYCON B16 panel mounting base, for double locking latch, height: 29 mm, with plastic cover, with flat gasket

RoHS

Key Commercial Data

Packing unit	10 pc
GTIN	
GTIN	4017918036324

Technical data

Dimensions

Height	29 mm
Width	43 mm
Length	114 mm
Length of the assembly cutout	86 mm
Width of the assembly cutout	35 mm

Ambient conditions

Degree of protection of housing (IP)	IP65 (When plugged in)
Ambient temperature (operation)	-40 °C ... 125 °C

General

Note	For contact inserts HC-B16, BB32, BBB40, D40, DD72, HS6, M, K
Size	B16
Housing type	Panel mounting base
Locking type	for double locking latch
Torque	1.5 Nm ... 2 Nm (Mounting screw)
Screw connection	none
Protective cover	yes
Housing material	Aluminum die-cast

Housing - HC-B 16-AFQD - 1771600

Technical data

General

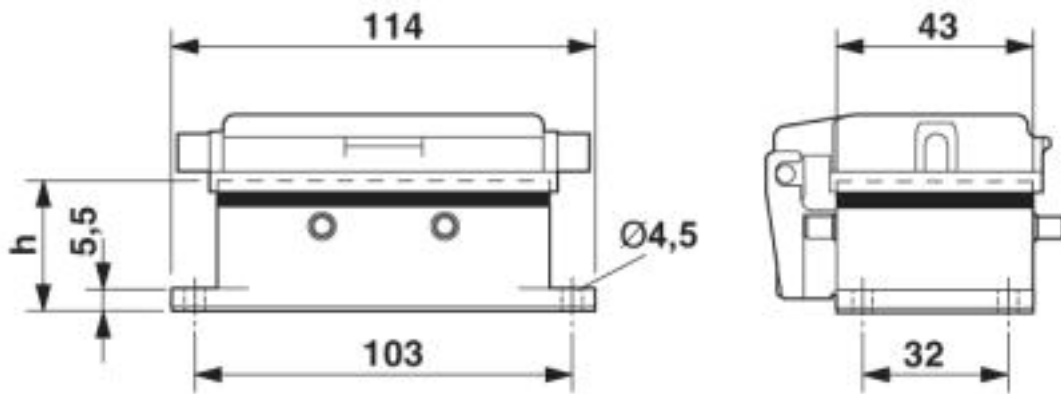
Housing surface material	Powder-coated, gray
Material, protective cover	PA

Environmental Product Compliance

REACH SVHC	Lead 7439-92-1
China RoHS	Environmentally Friendly Use Period = 50 years
	For details about hazardous substances go to tab "Downloads", Category "Manufacturer's declaration"

Drawings

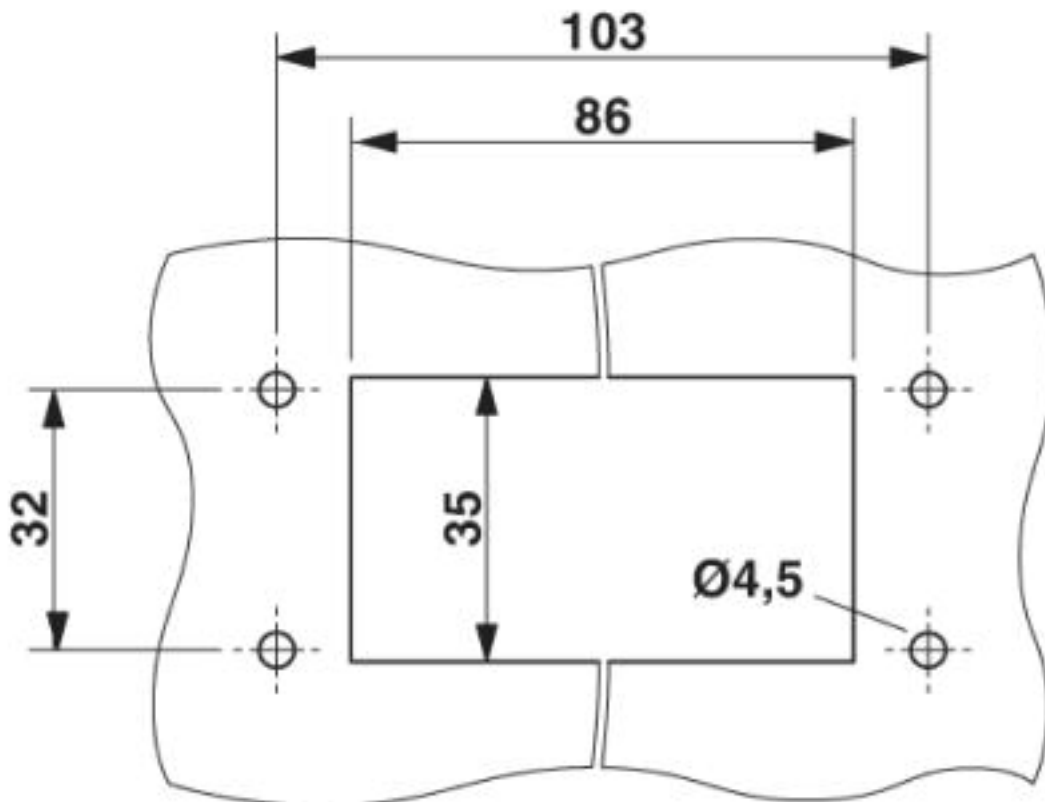
Dimensional drawing



Dimensional drawing

Housing - HC-B 16-AFQD - 1771600

Dimensional drawing



Mounting cutout

Classifications

eCl@ss

eCl@ss 10.0.1	27440202
eCl@ss 4.0	27140800
eCl@ss 4.1	27140800
eCl@ss 5.0	27143400
eCl@ss 5.1	27261200
eCl@ss 6.0	27261200
eCl@ss 7.0	27440202
eCl@ss 8.0	27440202
eCl@ss 9.0	27440202

ETIM

ETIM 2.0	EC000437
ETIM 3.0	EC000437
ETIM 4.0	EC000437
ETIM 5.0	EC000437

Housing - HC-B 16-AFQD - 1771600

Classifications

ETIM

ETIM 6.0	EC000437
ETIM 7.0	EC000437

UNSPSC

UNSPSC 6.01	31261502
UNSPSC 7.0901	31261502
UNSPSC 11	31261502
UNSPSC 12.01	31261502
UNSPSC 13.2	31261501
UNSPSC 18.0	31261501
UNSPSC 19.0	31261501
UNSPSC 20.0	31261501
UNSPSC 21.0	31261501

Approvals

Approvals

Approvals

EAC

Ex Approvals

Approval details

EAC		RU C- DE.AI30.B.01102
-----	--	--------------------------

Accessories

Accessories

Housing latches

Double locking latch - HC-B 10-24-QB - 1637265



Replacement latch for HC-B10 / HC-B16/ HC-B24 housings with double locking latch (plastic design)

Housing - HC-B 16-AFQD - 1771600

Accessories

Mounting material

Bearing block - HC-B/D-ERSLABO-SD-KU - 1408070

Spare bearing block for series B/D housing with plastic protective cover; consisting of bearing block, plate and two screws



Seal

Profile gasket - HC-B 16-PR-DI - 1661079



Profile gasket for type B16 supporting base element

Flat gasket - HC-B 16-FL-DI - 1661451



Replacement flange seal, for HEAVYCON panel mounting base of type: B 16, self-adhesive, not for HC-....EMC housings, color: Black

Seal - HC-B 16-FL-DI-N - 1411452



Replacement flange seal, for HEAVYCON type B16 panel mounting base, latching, for panel mounting base with snapped-on flat gaskets, not for HC-....EMV housing, color: black

Phoenix Contact 2020 © - all rights reserved
<http://www.phoenixcontact.com>

PHOENIX CONTACT GmbH & Co. KG
Flachsmarktstr. 8
32825 Blomberg
Germany
Tel. +49 5235 300
Fax +49 5235 3 41200
<http://www.phoenixcontact.com>