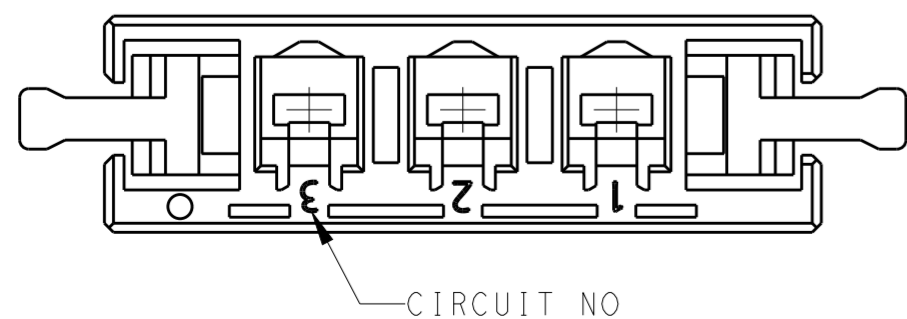
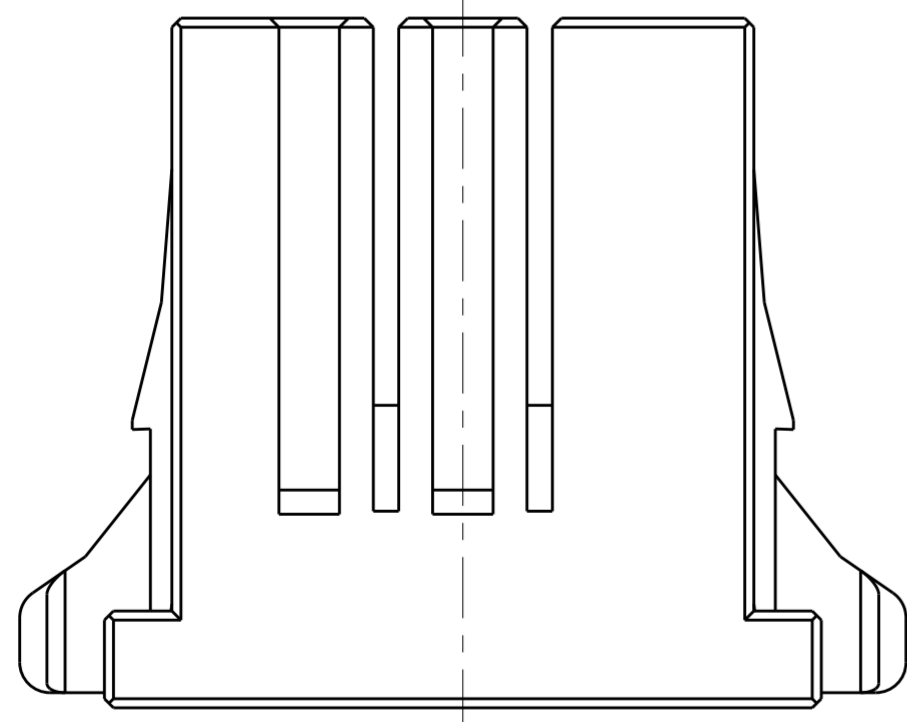
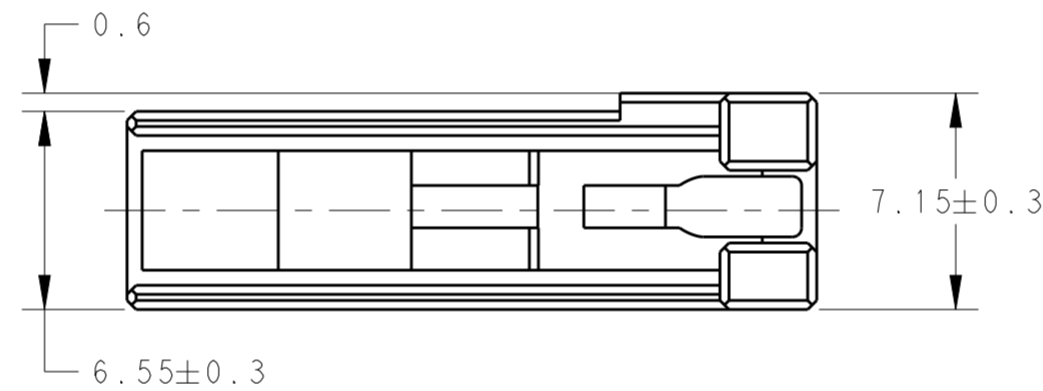
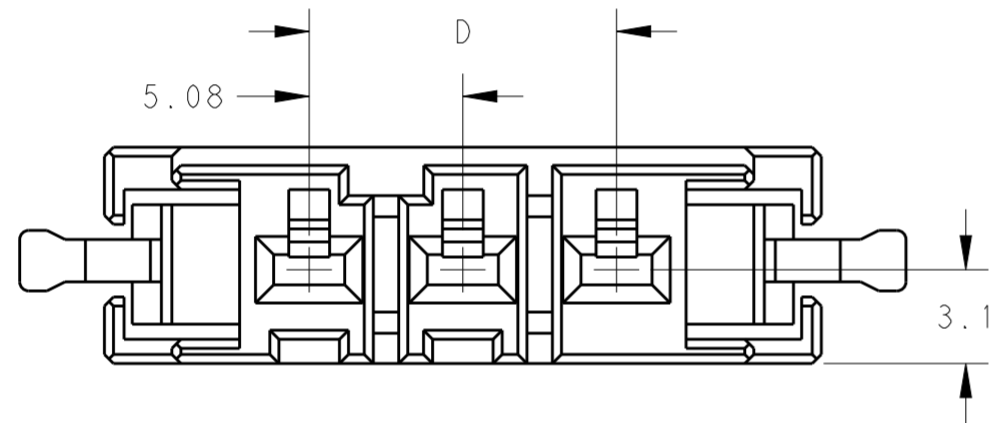
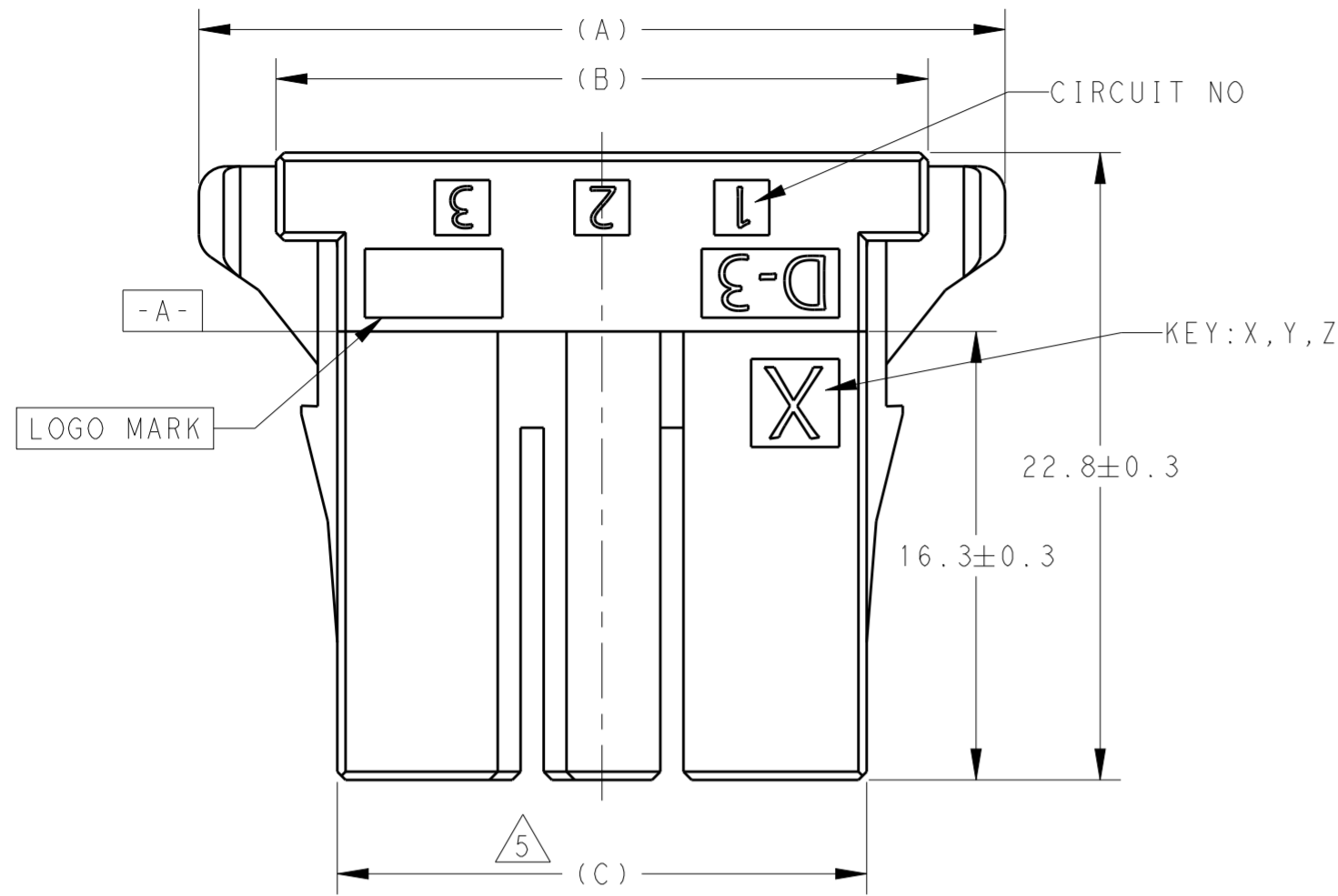


THIS DRAWING IS UNPUBLISHED. RELEASED FOR PUBLICATION 2018
 © COPYRIGHT 2018 BY TYCO ELECTRONICS JAPAN G.K. ALL RIGHTS RESERVED.

| REVISIONS | | | | |
|-----------|-----|---------------------------|-----------|---------|
| P | LTR | DESCRIPTION | DATE | APVD |
| K | | REVISED PER ECR-16-006694 | 19MAY2016 | K.K E.T |
| L | | REVISED PER ECR-18-000718 | 19JAN2018 | M.J E.I |

1-178128-3: AS SHOWN.
 REFER TO SHEET 1 FOR 2,3,4 POS.



- 1 MATERIAL: GLASS FILLED THERMO PLASTIC, POLYESTER. COLOR: BLACK.
- 2 NOTE DELETED.
- 3 PRODUCT SPEC: 108-5349.
- 4 THE SHAPE, SIZE AND POSITION OF THE CHARACTER SHOW THE OUTLINE THEY DON'T SHOW DETAILS
- 5 THIS DIMENSION MUST BE MEASURED AT -A- OF HSG.

| | | | | | | |
|-----------------|--------|-------|-------|-------|-------|------------|
| | Y | 15.24 | 24.32 | 29.18 | 34.78 | 2-178128-4 |
| | X | 15.24 | 24.32 | 29.18 | 34.78 | 1-178128-4 |
| | Z | 10.16 | 19.24 | 24.10 | 29.7 | 3-178128-3 |
| | Y | 10.16 | 19.24 | 24.10 | 29.7 | 2-178128-3 |
| | X | 10.16 | 19.24 | 24.10 | 29.7 | 1-178128-3 |
| | Y | 5.08 | 14.16 | 19.02 | 24.62 | 2-178128-2 |
| | X | 5.08 | 14.16 | 19.02 | 24.62 | 1-178128-2 |
| KEYING LOCATION | KEYING | D | C | B | A | PART NO |

THIS DRAWING IS A CONTROLLED DOCUMENT.

DWN N. MATSUBARA 01DEC93
 CHK S. MANABE 13DEC95
 APVD S. MANABE 13DEC95

STE TE Connectivity

NAME DYNAMIC D-3200, 5.08 PITCH RECEPTACLE HOUSING(KEY: X,Y)

PRODUCT SPEC 108-5349
 APPLICATION SPEC -

SIZE A2 CAGE CODE 00779 DRAWING NO C-178128 RESTRICTED TO -

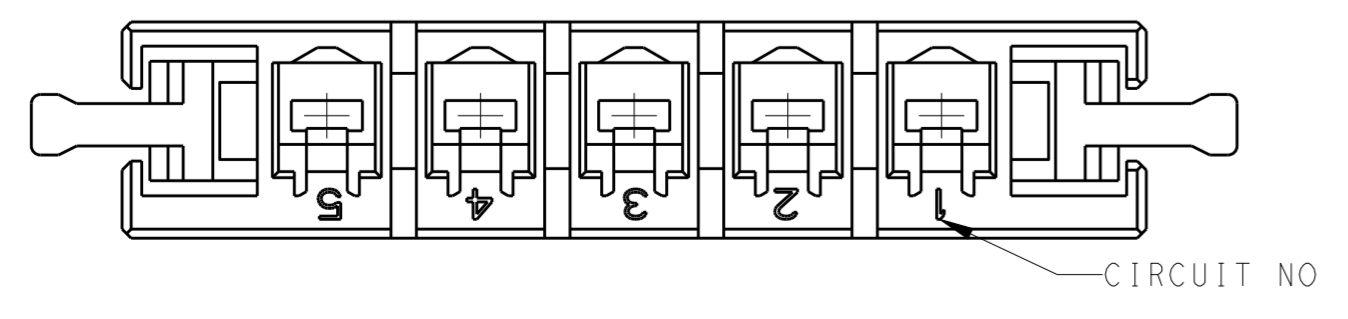
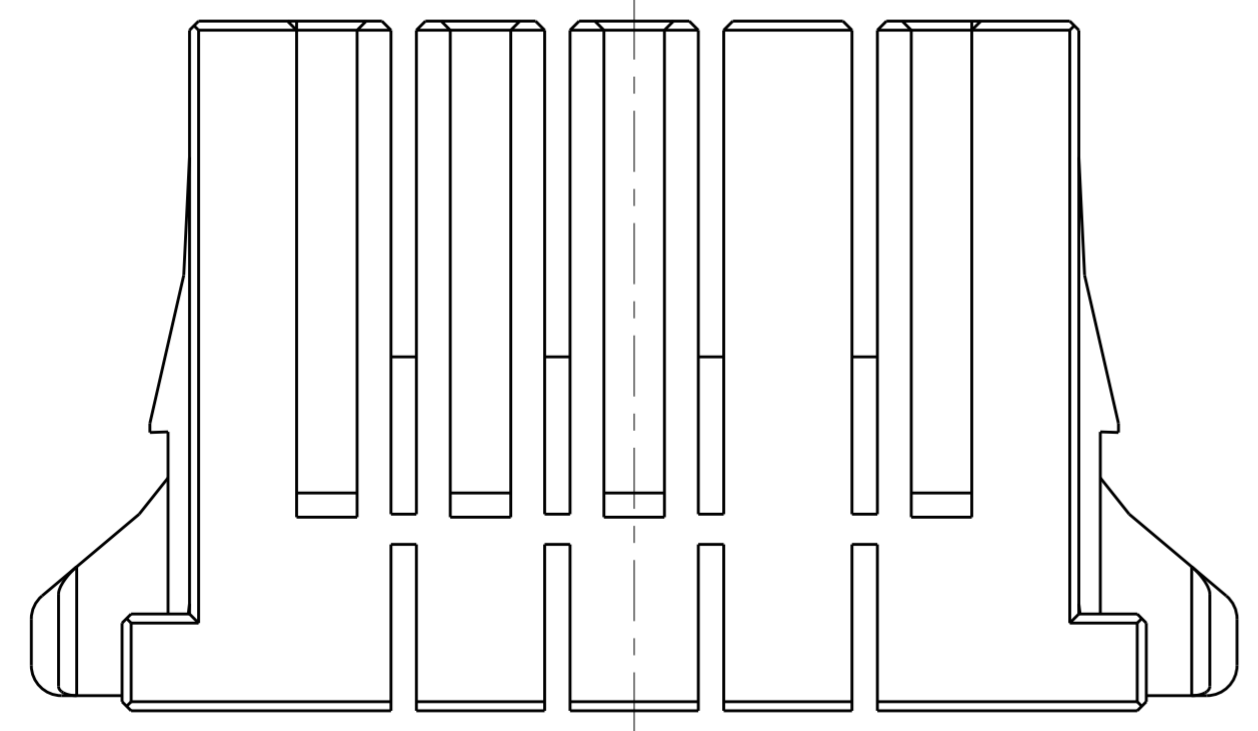
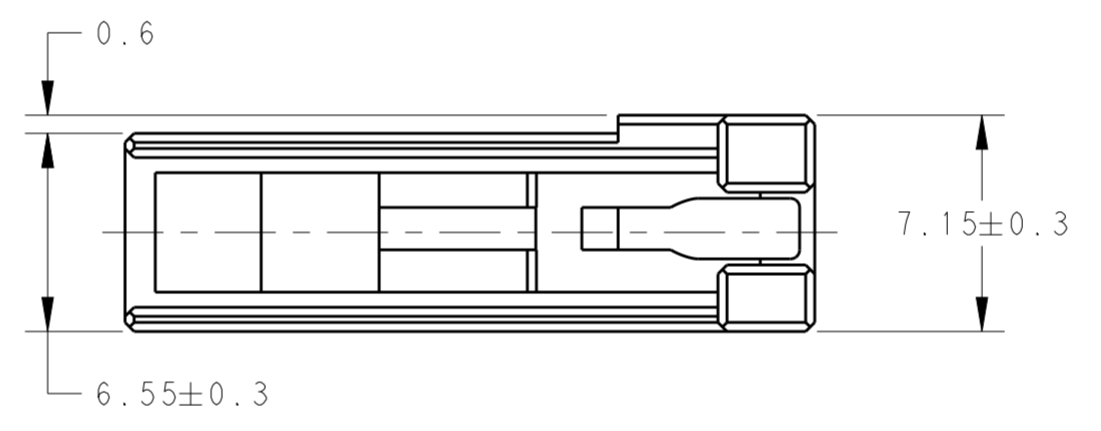
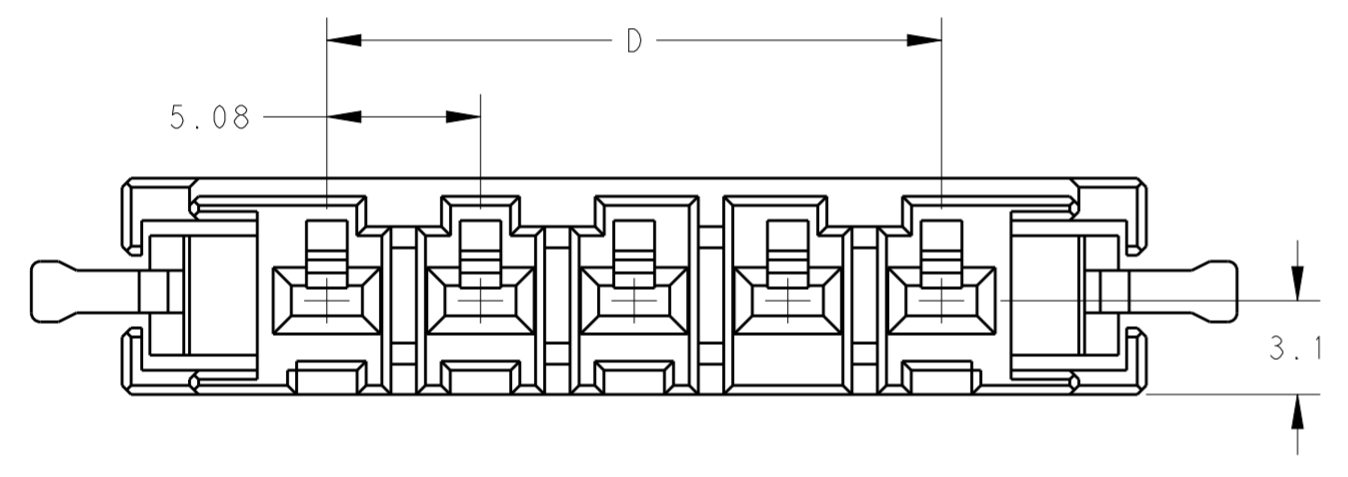
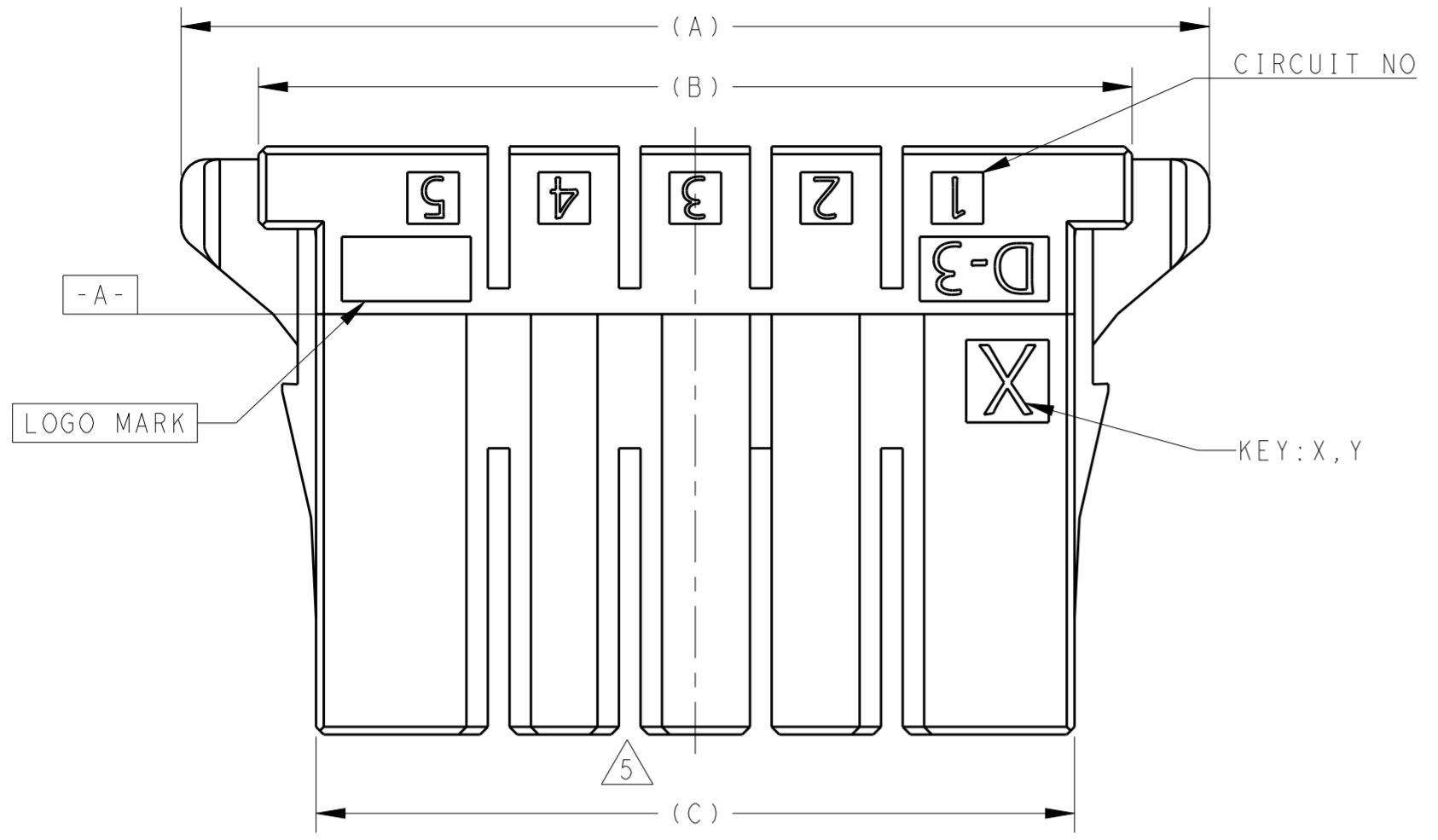
MATERIAL FINISH - WEIGHT -

CUSTOMER DRAWING SCALE 4:1 SHEET 1 OF 2 REV L

THIS DRAWING IS UNPUBLISHED. RELEASED FOR PUBLICATION 2018
 © COPYRIGHT 2018 BY TYCO ELECTRONICS JAPAN G.K. ALL RIGHTS RESERVED.

| REVISIONS | | | | |
|-----------|-----|-------------|------|------|
| P | LTR | DESCRIPTION | DATE | APVD |
| - | | SEE SHEET 1 | - | - |
| | | | | |
| | | | | |

1-178128-5: AS SHOWN.
 REFER TO SHEET 2 FOR 5,6 POS.



| | | | | | | | |
|-----------------|---|--------|-------|-------|-------|------------|---------|
| | Y | 25.4 | 34.48 | 39.34 | 44.94 | 2-178128-6 | |
| | X | 25.4 | 34.48 | 39.34 | 44.94 | 1-178128-6 | |
| | Y | 20.32 | 29.4 | 34.26 | 39.86 | 2-178128-5 | |
| | X | 20.32 | 29.4 | 34.26 | 39.86 | 1-178128-5 | |
| KEYING LOCATION | | KEYING | D | C | B | A | PART NO |

| | | | | |
|--|--|-----------------------------|---|--|
| THIS DRAWING IS A CONTROLLED DOCUMENT. | | DWN SEE SHEET 1 | TE Connectivity | |
| | | CHK SEE SHEET 1 | | |
| DIMENSIONS: mm | | APVD SEE SHEET 1 | NAME DYNAMIC D-3200, 5.08 PITCH RECEPTACLE HOUSING (KEY: X, Y) | |
| TOLERANCES UNLESS OTHERWISE SPECIFIED: | | PRODUCT SPEC SEE SHEET 1 | SIZE A200779 | |
| 0 PLC ± | | APPLICATION SPEC - | CAGE CODE C-178128 | |
| 1 PLC ± SEE SHEET 1 | | WEIGHT - | DRAWING NO - | |
| 2 PLC ± | | CUSTOMER DRAWING | RESTRICTED TO - | |
| 3 PLC ± | | SCALE 4:1 | SHEET 2 OF 2 | |
| 4 PLC ± | | | REV L | |
| ANGLES ± | | | | |
| FINISH - | | | | |

Mouser Electronics

Authorized Distributor

Click to View Pricing, Inventory, Delivery & Lifecycle Information:

[TE Connectivity:](#)

[2-178128-3](#)