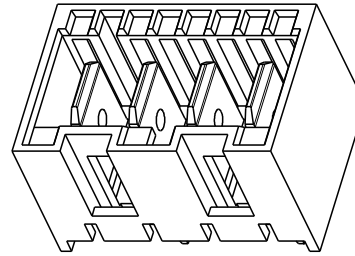
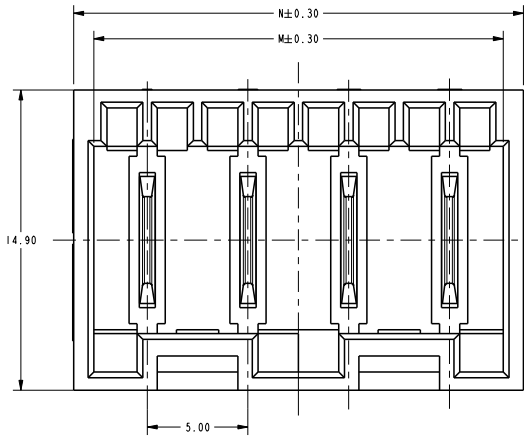
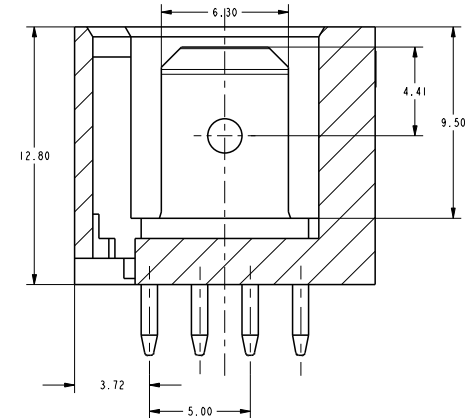
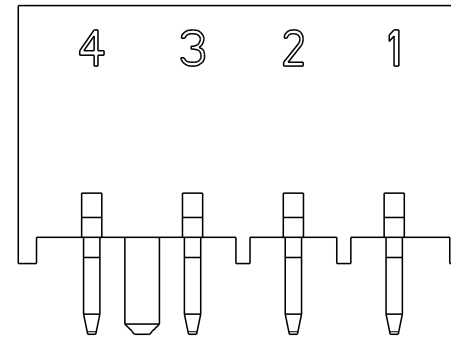
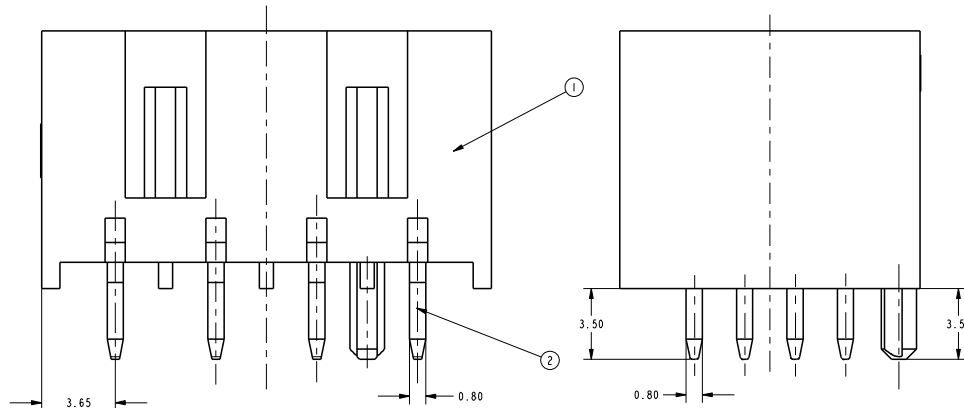


REV	DATE	DESCRIPTION	BY	CHK
A23	ECR-17-013299			

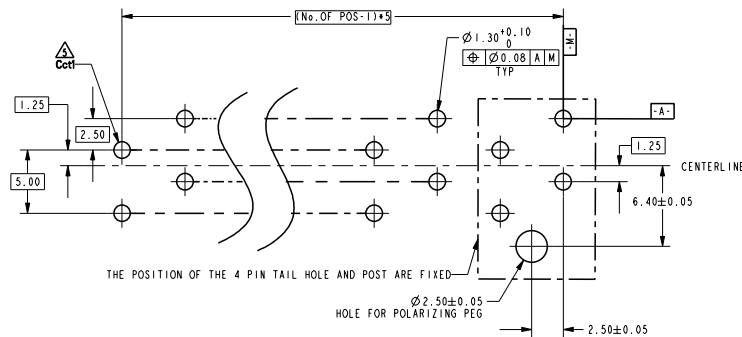


NOTE

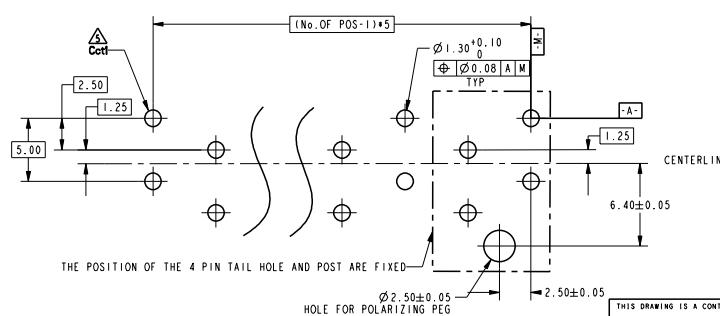
- HOUSING HAS RAST 5 COMPLIANT KEYING, LATCHING, AND POLARIZATION TAB IS 6.30 X 0.8 ACCORDING TO DIN 46244
 - SEE SHEET 2 FOR AVAILABLE CONFIGURATIONS
 - MATERIAL: HOUSING, NYLON, UL94 V0, 750°C GWI NO FLAME CONTACT, COPPER ALLOY, 0.8MM THICK
 - FINISH: CONTACTS, MATT TIN PLATING OVERALL, NICKEL UNDER-PLATING BRIGHT TIN PLATING OVERALL, NICKEL UNDER-PLATING SILVER PLATING OVERALL, NICKEL UNDER-PLATING
- ⚠ PCB TABS INSERTED IN A STAGGERED PATTERN BEGINNING WITH POSITION 1 (C_{F11})
- ⚠ THE PART NUMBERS SHOWING IN SHEET 2 & 3 & 4 & 5 ARE FOR NATURAL COLOR. THE PART NUMBER FOR OTHER COLOR ARE BASED ON THE NATURAL ONE. FOR THE SAME CONFIGURATION, THE PREFIX AND POSTFIX OF THE P/N ARE THE SAME. ONLY THE BASE NUMBER IS DIFFERENT ACCORDING TO DIFFERENT COLOR. DETAIL PLEASE SEE SHEET 6
- 7 PACKAGING: LOOSE PIECE OR TUBE. THE PART NUMBERS IN THIS DRAWING ARE WITH LOOSE PIECE PACKAGING. PLEASE CONTACT TE SALES REPRESENTATIVES FOR TUBE PACKAGING REQUIREMENT.
- ⚠ PRELIMINARY PART, NOT RELEASED FOR PRODUCTION.
- ⚠ FOR P/N: 2-1971895-4:
 1) THE CONTACTS ARE WITH BRIGHT TIN PLATING.
 2) INSERTION FORCE MATING WITH 4P MONO SHAPE MK1 CONNECTOR: 85N MAX ACCORDING TO IEC 60512-13-1, Test 13a
- ⚠ FOR P/N: 5-1971845-8, 2-1971845-6, 6-1971845-5 AND 2-1971895-5:
 1) THE CONTACTS ARE WITH BRIGHT TIN PLATING.
- ⚠ PART NUMBERS WITH TUBE PACKAGING



SECTION A-A



RECOMMEND PCB LAYOUT - SOLDER SIDE
 EVEN NUMBER OF PINS
 PCB 16±0.2 THICK



RECOMMEND PCB LAYOUT - SOLDER SIDE
 ODD NUMBER OF PINS
 PCB 16±0.2 THICK

N	M	NO. OF POS.
42.30	40.30	8
37.30	35.30	7
32.30	30.30	6
27.30	25.30	5
22.30	20.30	4
17.30	15.30	3
12.30	10.30	2

THIS DRAWING IS A CONTROLLED DOCUMENT.

DATE	21JAN2013	REV	00
DESIGNED BY	CHEN	CHKD BY	CHEN
DATE	21JAN2013	DATE	21JAN2013
PRODUCT SPEC	108-108080	APP. SPEC	
DATE		DATE	
SCALE	8:1	SHEET	1 OF 6

TE Connectivity
 RAST 5 TAB HEADER ASSY
 DIN STYLE, TH, VERTICAL

00779 ©=1971845

Customer Drawing

LOC	DATE	BY	DESCRIPTION	DATE	BY	APPV
			SEE SHEET 1			

color	QTY	②	QTY	①	NO. OF POS.	TE PART NO.
NATURAL	8	TAB CONTACT MATT TIN PLATING (5-1971845-8, 6-1971845-5, 2-1971845-6 AND 2-1971895-5 WITH BRIGHT TIN)	I	RAST 5 TAB HEADER HOUSING, 8P. (SEE THE DETAIL LAYOUT ON SHEET 5)	8	6-1971845-8 △ 5-1971845-8 △ 4-1971845-8 3-1971845-8 2-1971845-8 1-1971845-8 1971845-8 1971946-7 1971895-7 9-1971845-7 8-1971845-7 7-1971845-7 6-1971845-7 5-1971845-7 4-1971845-7 3-1971845-7 2-1971845-7 1-1971845-7 1971845-7 1-1971895-6 1971895-6 9-1971845-6 8-1971845-6 7-1971845-6 6-1971845-6 5-1971845-6 4-1971845-6 3-1971845-6 2-1971845-6 △ 1-1971845-6 1971845-6 1971954-5 △ 2-1971895-5 △ 1-1971895-5 1971895-5 9-1971845-5 8-1971845-5 7-1971845-5 6-1971845-5 △ 5-1971845-5 4-1971845-5 3-1971845-5 2-1971845-5 1-1971845-5 1971845-5
RED			I	RAST 5 TAB HEADER HOUSING, 7P. (SEE THE DETAIL LAYOUT ON SHEET 5)	7	
NATURAL	7		I	RAST 5 TAB HEADER HOUSING, 6P. (SEE THE DETAIL LAYOUT ON SHEET 5)	6	
NATURAL	6		I	RAST 5 TAB HEADER HOUSING, 5P. (SEE THE DETAIL LAYOUT ON SHEET 4)	5	

color	QTY	②	QTY	①	NO. OF POS.	TE PART NO.
GREEN	4	TAB CONTACT MATT TIN PLATING (2-1971895-4 IS WITH BRIGHT TIN)	I	RAST 5 TAB HEADER HOUSING, 4P. (SEE THE DETAIL LAYOUT ON SHEET 4)	4	1971962-4 2298030-4 △ 9-1971895-4 8-1971895-4 △ 7-1971895-4 6-1971895-4 5-1971895-4 4-1971895-4 3-1971895-4 2-1971895-4 △ 1-1971895-4 1971895-4 △ 9-2304591-4 9-1971845-4 8-1971845-4 7-1971845-4 6-1971845-4 5-1971845-4 4-1971845-4 3-1971845-4 2-1971845-4 1-1971845-4 1971845-4 5-1971895-3 4-1971895-3 3-1971895-3 2-1971895-3 1-1971895-3 1971895-3 9-1971845-3 8-1971845-3 7-1971845-3 6-1971845-3 5-1971845-3 4-1971845-3 3-1971845-3 2-1971845-3 1-1971845-3 1971845-3 7-1971895-2 6-1971895-2 5-1971895-2 4-1971895-2 3-1971895-2 2-1971895-2 1-1971895-2 1971895-2 9-1971845-2 8-1971845-2 7-1971845-2 6-1971845-2 5-1971845-2 4-1971845-2 3-1971845-2 2-1971845-2 1-1971845-2 1971845-2
natural	3		I	RAST 5 TAB HEADER HOUSING, 3P. (SEE THE DETAIL LAYOUT ON SHEET 4)	3	
	2		I	RAST 5 TAB HEADER HOUSING, 2P. (SEE THE DETAIL LAYOUT ON SHEET 4)	2	
	4		I	RAST 5 TAB HEADER HOUSING, 8P. (SEE THE DETAIL LAYOUT ON SHEET 5)	8	

THIS DRAWING IS A CONTROLLED DOCUMENT.

DATE: 21Jan2013
 REV: 1
 DRAWN BY: CHADY
 CHECKED BY: JUM
 DATE: 21Jan2013

TE Connectivity
TE
 RAST 5 TAB HEADER ASSY
 DIN STYLE, TH. VERTICAL

PRODUCT SPEC: 108-10800
 APPLICATION SPEC: 108-10800

MATERIAL: STEEL
 FINISH: 32
 HEIGHT: 1.00
 WEIGHT: 0.000

Customer Drawing
 SCALE: 8:1
 SHEET: 2 OF 6
 DATE: 12/23

LOC	QTY	REV	DESCRIPTION	DATE	BY	APP'D
			SEE SHEET 1			

color	QTY	②	QTY	①	NO. OF POS.	TE PART NO.
NATURAL	8	I	RAST 5 TAB HEADER HOUSING, 8P, NATURE (SEE THE DETAIL LAYOUT ON SHEET 5)	8	6-1971846-8	
					5-1971846-8	
					4-1971846-8	
					3-1971846-8	
					2-1971846-8	
					1-1971846-8	
					1971846-8	
					1971896-7	
	7	I	RAST 5 TAB HEADER HOUSING, 7P, NATURE (SEE THE DETAIL LAYOUT ON SHEET 5)	7	9-1971846-7	
					8-1971846-7	
					7-1971846-7	
					6-1971846-7	
					5-1971846-7	
					4-1971846-7	
					3-1971846-7	
					2-1971846-7	
	6	I	RAST 5 TAB HEADER HOUSING, 6P, NATURE (SEE THE DETAIL LAYOUT ON SHEET 5)	6	1-1971846-7	
					1971846-7	
					1-1971896-6	
					1971896-6	
9-1971846-6						
8-1971846-6						
7-1971846-6						
6-1971846-6						
5	I	RAST 5 TAB HEADER HOUSING, 5P, NATURE (SEE THE DETAIL LAYOUT ON SHEET 4)	5	5-1971846-6		
				4-1971846-6		
				3-1971846-6		
				2-1971846-6		
				1-1971846-6		
				1971846-6		
				1971896-5		
				9-1971846-5		
5	I	RAST 5 TAB HEADER HOUSING, 5P, NATURE (SEE THE DETAIL LAYOUT ON SHEET 4)	5	8-1971846-5		
				7-1971846-5		
				6-1971846-5		
				5-1971846-5		
				4-1971846-5		
				3-1971846-5		
				2-1971846-5		
				1-1971846-5		
5	I	RAST 5 TAB HEADER HOUSING, 5P, NATURE (SEE THE DETAIL LAYOUT ON SHEET 4)	5	1971846-5		
				1971846-5		

color	QTY	②	QTY	①	NO. OF POS.	TE PART NO.
NATURAL	4	I	RAST 5 TAB HEADER HOUSING, 4P, NATURE (SEE THE DETAIL LAYOUT ON SHEET 4)	4	1-2298031-4	
					9-1971896-4	
					7-1971896-4	
					6-1971896-4	
					5-1971896-4	
					4-1971896-4	
					3-1971896-4	
					2-1971896-4	
	3	I	RAST 5 TAB HEADER HOUSING, 3P, NATURE (SEE THE DETAIL LAYOUT ON SHEET 4)	3	1-1971896-4	
					1971896-4	
					9-1971846-4	
					8-1971846-4	
					7-1971846-4	
					6-1971846-4	
					5-1971846-4	
					4-1971846-4	
	2	I	RAST 5 TAB HEADER HOUSING, 2P, NATURE (SEE THE DETAIL LAYOUT ON SHEET 4)	2	3-1971846-4	
					2-1971846-4	
					1-1971846-4	
					1971846-4	
4-1971896-3						
3-1971896-3						
2-1971896-3						
1-1971896-3						
2	I	RAST 5 TAB HEADER HOUSING, 2P, NATURE (SEE THE DETAIL LAYOUT ON SHEET 4)	2	1971896-3		
				9-1971846-3		
				8-1971846-3		
				7-1971846-3		
				6-1971846-3		
				5-1971846-3		
				4-1971846-3		
				3-1971846-3		
2	I	RAST 5 TAB HEADER HOUSING, 2P, NATURE (SEE THE DETAIL LAYOUT ON SHEET 4)	2	2-1971846-3		
				1-1971846-3		
				1971846-3		
				6-1971896-2		
				5-1971896-2		
				4-1971896-2		
				3-1971896-2		
				2-1971896-2		
2	I	RAST 5 TAB HEADER HOUSING, 2P, NATURE (SEE THE DETAIL LAYOUT ON SHEET 4)	2	1-1971896-2		
				1971896-2		
				9-1971846-2		
				8-1971846-2		
				7-1971846-2		
				6-1971846-2		
				5-1971846-2		
				4-1971846-2		
2	I	RAST 5 TAB HEADER HOUSING, 2P, NATURE (SEE THE DETAIL LAYOUT ON SHEET 4)	2	3-2304599-2		
				3-1971846-2		
				2-1971846-2		
				1-1971846-2		
				1971846-2		

THIS DRAWING IS A CONTROLLED DOCUMENT.

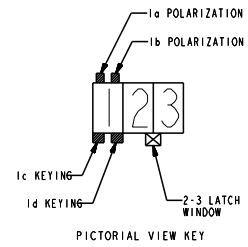
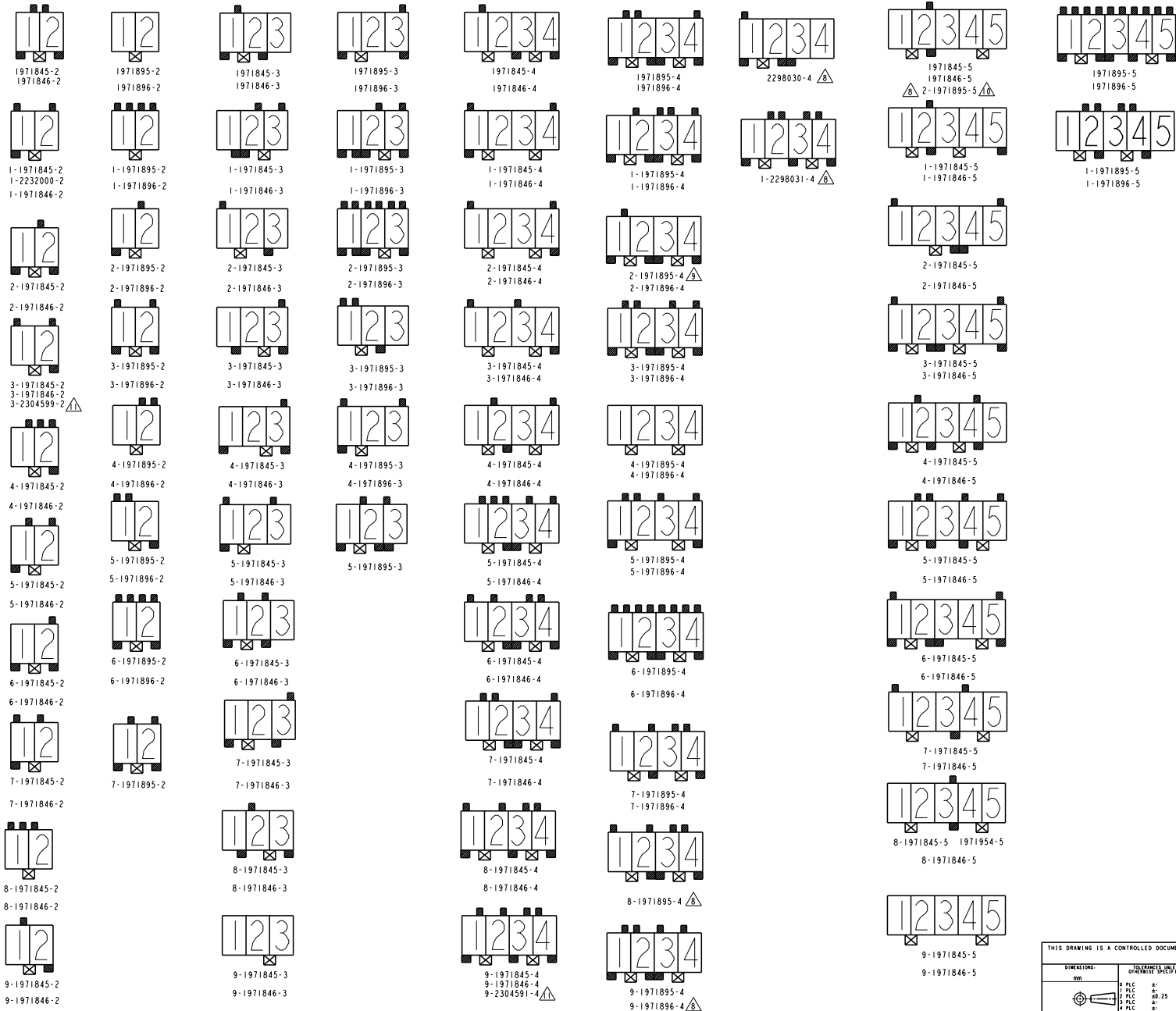
DATE	21Jan2013	REV	001
DATE	21Jan2013	REV	002
DATE	21Jan2013	REV	003

TE Connectivity

RAST 5 TAB HEADER ASSY
 DIN STYLE, TH. VERTICAL

SCALE: 8:1 | SHEET 3 OF 6 | 13A23

REV	DATE	BY	APPD	DESCRIPTION
1				SEE SHEET 1



THIS DRAWING IS A CONTROLLED DOCUMENT.		REV	21Jan2013	TE Connectivity RAST 5 TAB HEADER ASSY DIN STYLE, TH, VERTICAL
DIMENSIONAL		DRP	21Jan2013	
mm		CHK	21Jan2013	PRODUCT SPEC 108-108080 APPLICATION SPEC
		APPD	21Jan2013	
MATERIAL		FINISH	HEIGHT	STYL CODE 00779 DRAWING NO 1971845
Customer Drawing		SCALE	8:1	SHEET 4 of 6 1971845

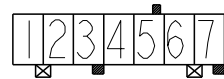
LOC	DATE	REVISIONS	DATE	BY	APP
		SEE SHEET 1			



1971845-6
1971846-6



1971895-6
1971896-6



1971845-7
1971846-7



1971895-7
1971896-7



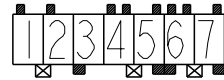
1971845-8
1971846-8



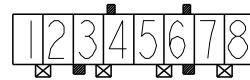
1-1971845-6
1-1971846-6



1-1971895-6
1-1971896-6



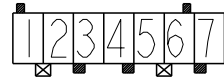
1-1971845-7
1-1971846-7



1-1971845-8
1-1971846-8



2-1971845-6
2-1971846-6



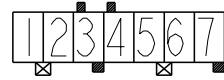
2-1971845-7
2-1971846-7



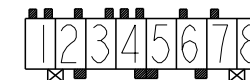
2-1971845-8
2-1971846-8



3-1971845-6
3-1971846-6



3-1971845-7
3-1971846-7



3-1971845-8
3-1971846-8



4-1971845-6
4-1971846-6



4-1971845-7
4-1971846-7



4-1971845-8
4-1971846-8



5-1971845-6
5-1971846-6



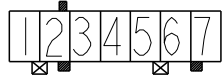
5-1971845-7
5-1971846-7



5-1971845-8
5-1971846-8



6-1971845-6
6-1971846-6



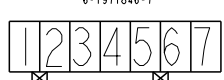
6-1971845-7 1971846-7



6-1971845-8
6-1971846-8



7-1971845-6
7-1971846-6



7-1971845-7
7-1971846-7



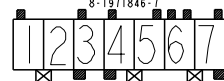
8-1971845-6
8-1971846-6



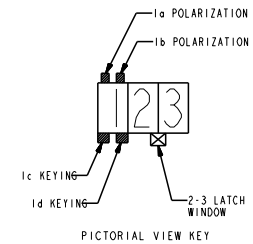
8-1971845-7
8-1971846-7



9-1971845-6
9-1971846-6



9-1971845-7
9-1971846-7

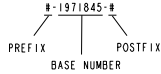


THIS DRAWING IS A CONTROLLED DOCUMENT.		REV	21Jan2013	TE Connectivity
DRAWN BY: JRP		CHK	21Jan2013	
CHECKED BY: JRP		APP	21Jan2013	PART NAME: RAST 5 TAB HEADER ASSY DIN STYLE, TH. VERTICAL
DATE: 21Jan2013		DATE	21Jan2013	
MATERIAL: -		FINISH: -	HEIGHT: -	STEEL CASE CODE: A1 DRAWING NO: 00779 ©=1971845
SCALE: 8:1		SHEET 5 OF 6		RESTRICTED TO

NOT BEING THE TE CONNECTIVITY RECEIVED FOR PUBLICATION
 © COPYRIGHT 2011 ALL RIGHTS RESERVED

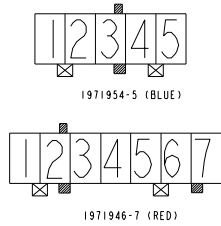
LOC	DATE	REVISIONS

FOR ANY KEYING CONFIGURATION, THERE ARE EIGHT COLORS AVAILABLE. BESIDES THE NATURAL COLOR, THERE ARE OTHER SEVEN COLORS, INCLUDE: YELLOW, BLUE, GREY, PURPLE, RED, GREEN, BLACK. THE WHITE VERSION IS PRELIMINARY. THE P/N OF THE COLOR CONNECTOR ARE BASED ON THE NATURAL CONNECTOR, THE PREFIX AND POSTFIX ARE THE SAME FOR THE SAME KEYING CONFIGURATION, BUT THE BASE NUMBERS ARE DIFFERENT ACCORDING TO DIFFERENT COLOR. THE FOLLOWING SHOWS WHAT'S THE P/N FOR COLOR CONNECTOR

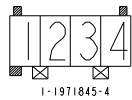


COLOR	PART NUMBER OF THE CONNECTOR				COMMENTS
	WITH MATT TIN PLATING CONTACT		WITH AG PLATING CONTACT		
NATURAL	#-1971845-#	#-1971895-#	#-1971846-#	#-1971896-#	THE DETAIL P/N FOR DIFFERENT KEYING SEE SHEET 2-5
RED	#-1971946-#	#-1971948-#	#-1971947-#	#-1971949-#	THE PREFIX AND POSTFIX ARE THE SAME WITH THE P/N OF THE NATURAL CONNECTOR FOR THE SAME KEYING, POLARIZATION, LATCH WINDOW CONFIGURATION. JUST THE BASE NUMBERS ARE DIFFERENT BASED ON DIFFERENT COLOR. # CAN BE THE NUMBER FROM 0 TO 9. BUT THERE ARE TWO EXEMPTION PART NUMBERS. 1971954-5 (BLUE) AND 1971946-7 (RED).
BLUE	#-1971954-#	#-1971956-#	#-1971955-#	#-1971957-#	
YELLOW	#-2232008-#	#-2232010-#	#-2232009-#	#-2232011-#	
BLACK	#-2232000-#	#-2232002-#	#-2232001-#	#-2232003-#	
GREY	#-2232016-#	#-2232018-#	#-2232017-#	#-2232019-#	
GREEN	#-1971962-#	#-1971964-#	#-1971963-#	#-1971965-#	
PURPLE	#-2232024-#	#-2232026-#	#-2232025-#	#-2232027-#	
WHITE	#-2232289-#	#-2232291-#	#-2232290-#	#-2232292-#	

THERE ARE TWO EXEMPTION FOR COLOR PART NUMBERS



FOR EXAMPLE, IF A CONNECTOR WITH THE CONFIGURATION AS BELOW, AND WITH MATT TIN PLATING CONTACT, IN THE SHEET 4, WE CAN FIND THE RELATED CONNECTOR P/N WITH NATURAL COLOR IS 1-1971845-4, THEN WE CAN LOOK IN THE ABOVE TABLE TO FIND THE CONNECTOR P/N WITH RED COLOR IS 1-1971946-3



COLOR	PART NUMBER OF THE CONNECTOR		COMMENTS
	WITH BRIGHT TIN PLATING CONTACT		
NATURAL	#-2232906-#	#-2232907-#	THE KEYING, POLARIZATION AND LATCH WINDOW CONFIGURATION ARE SAME AS THE MATT TIN CONNECTOR WITH THE SAME PREFIX AND POSTFIX FOR EACH COLOR. FOR EXAMPLE: 2232906-4 AND 1971845-4 HAVE SAME KEYING, POLARIZATION AND LATCH WINDOW CONFIGURATION. 2232907-4 AND 1971895-4 HAVE SAME KEYING, POLARIZATION AND LATCH WINDOW CONFIGURATION. THE DETAIL KEYING, POLARIZATION AND LATCH WINDOW CONFIGURATION FOR EACH P/N, PLEASE SEE SHEET 2-5
RED	#-2232908-#	#-2232909-#	
BLUE	#-2232910-#	#-2232911-#	
YELLOW	#-2232912-#	#-2232913-#	
BLACK	#-2232914-#	#-2232915-#	
GREY	#-2232916-#	#-2232917-#	
GREEN	#-2232918-#	#-2232919-#	
PURPLE	#-2232920-#	#-2232921-#	
WHITE	#-2232922-#	#-2232923-#	

THIS DRAWING IS A CONTROLLED DOCUMENT.

REV	21Jan2013	REP	21Jan2013
CHG	21Jan2013	REP	21Jan2013
APP	21Jan2013	REP	21Jan2013

TE Connectivity

FAST 5 TAB HEADER ASSY
 DIN STYLE, TH, VERTICAL

SCALE: 8:1

Mouser Electronics

Authorized Distributor

Click to View Pricing, Inventory, Delivery & Lifecycle Information:

[TE Connectivity:](#)

[1-1971895-5](#)