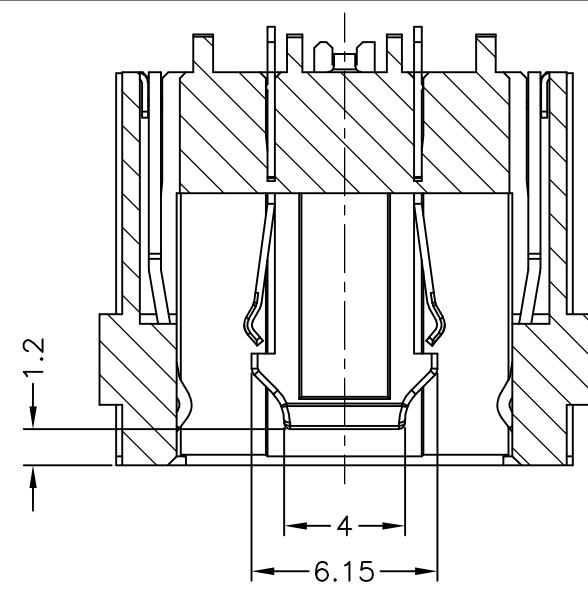
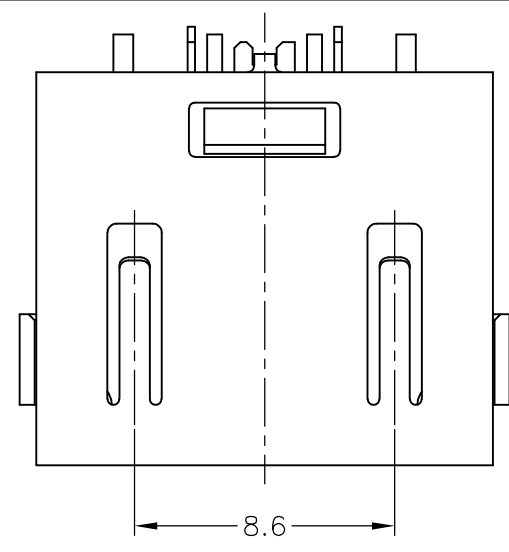
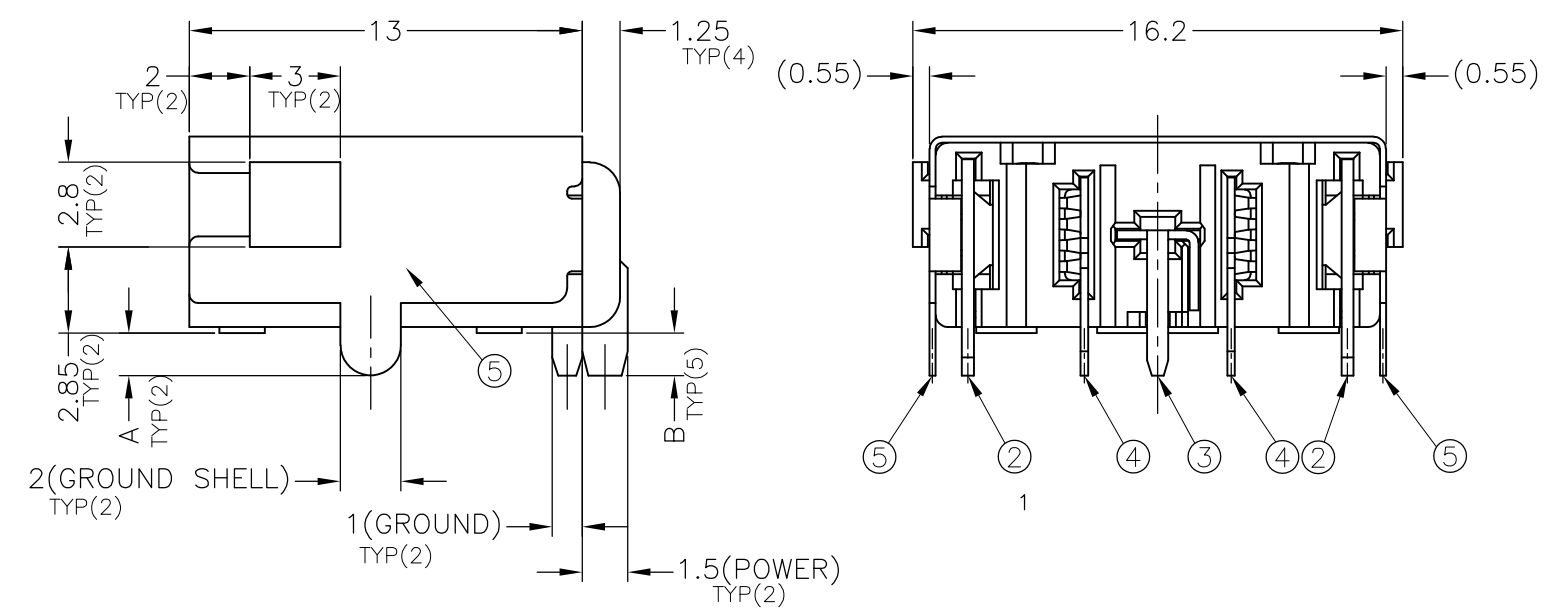
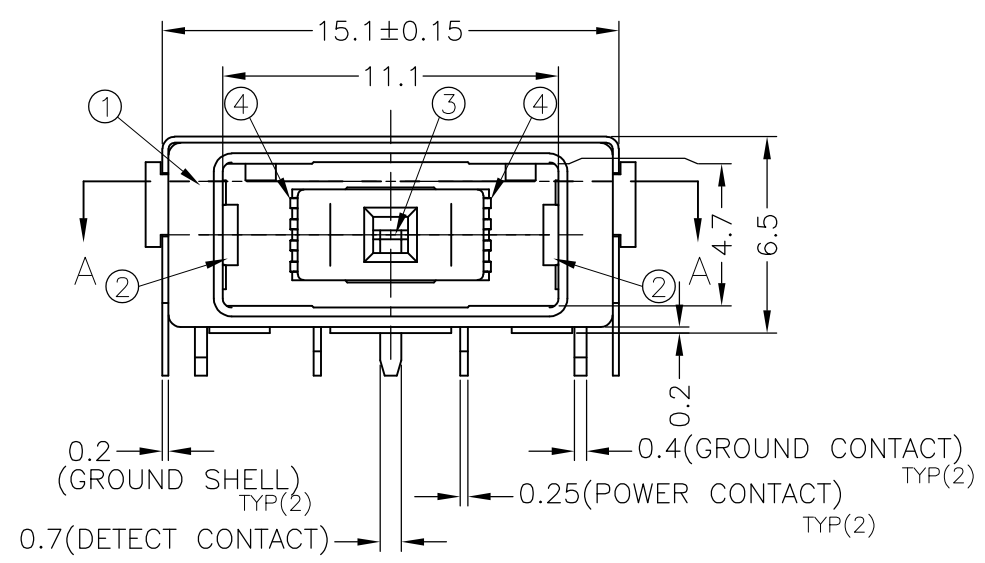


THIS DRAWING IS UNPUBLISHED. RELEASED FOR PUBLICATION
 © COPYRIGHT - By - ALL RIGHTS RESERVED.

LOC	DIST	REVISIONS			
P	LTR	DESCRIPTION	DATE	DWN	APVD
DW	/	B5	REVISED (ECR-15-000347)	16DEC14	S.H V.P

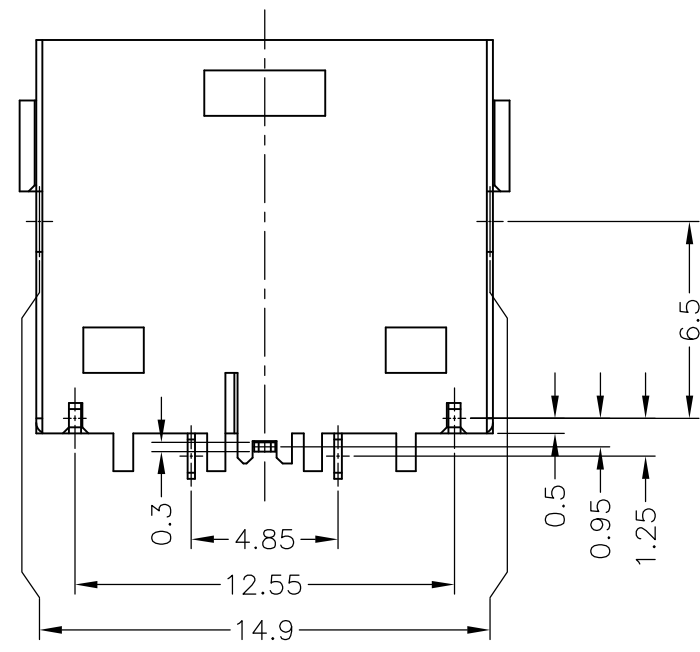


- EU ROHS-RELATED RESTRICTED SUBSTANCE SPEC IN HOMOGENEOUS MATERIAL REFER TO TEC-138-702 REV.G:
 LEAD < 1000PPM, CADMIUM < 100PPM, MERCURY < 1000PPM
 CHROMIUM VI < 1000PPM, PBB <1000PPM, PBDE < 1000PPM
- HALOGEN FREE SPEC:
 CHLORINE (Cl): 900 ppm MAX.
 BROMINE (Br): 900 ppm MAX.
 CHLORINE (Cl) + BROMINE (Br): 1500 ppm MAX.


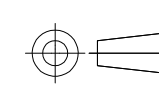


A'SSY P/N					
	2-2129345-1	1-2129345-2	1-2129345-1	2129345-2	2129345-1
DIM B	1.2	1.2	1.4	1.2	1.4
DIM A	1.2	1.2	1.4	1.2	1.4

Q'TY	FINISH/COLOR	MATERIAL	PART NAME	NO.
1	0.002mm MATTE TIN PLATING ON SOLDER AREA, 0.00127mm MIN. NICKEL UNDERPLATED ALL OVER	COPPER ALLOY	GROUND SHELL	⑤
2	0.0002mm GOLD PLATING ON CONTACT AREA, 0.002mm MATTE TIN PLATING ON SOLDER AREA, 0.002mm MIN. NICKEL UNDERPLATED ALL OVER	COPPER ALLOY	POWER CONTACT	④
1	0.0002mm GOLD PLATING ON CONTACT AREA, 0.002mm MATTE TIN PLATING ON SOLDER AREA, 0.002mm MIN. NICKEL UNDERPLATED ALL OVER	COPPER ALLOY	DETECT CONTACT	③
2	0.0002mm GOLD PLATING ON CONTACT AREA, 0.002mm MATTE TIN PLATING ON SOLDER AREA, 0.002mm MIN. NICKEL UNDERPLATED ALL OVER	COPPER ALLOY	GROUND CONTACT	②
1	BLACK	HIGH TEMPERATURE THERMO-PLASTIC (UL94V-0)	HOUSING	①
1	YELLOW			

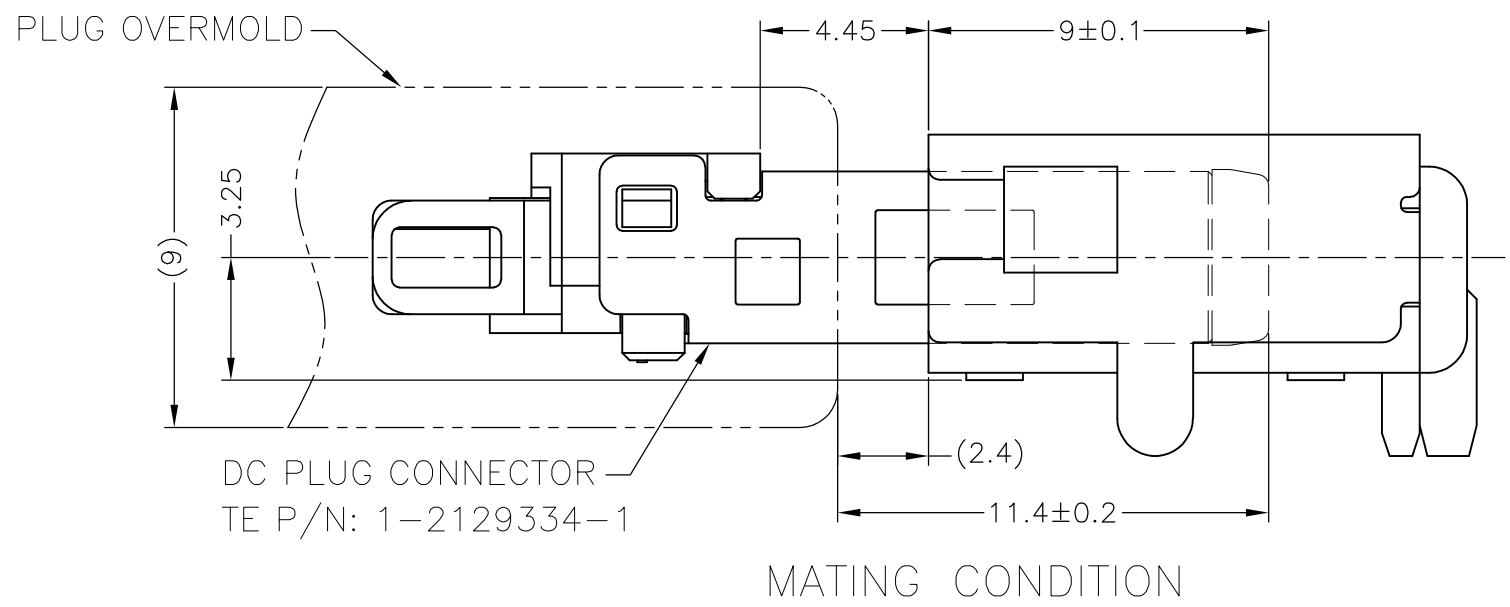
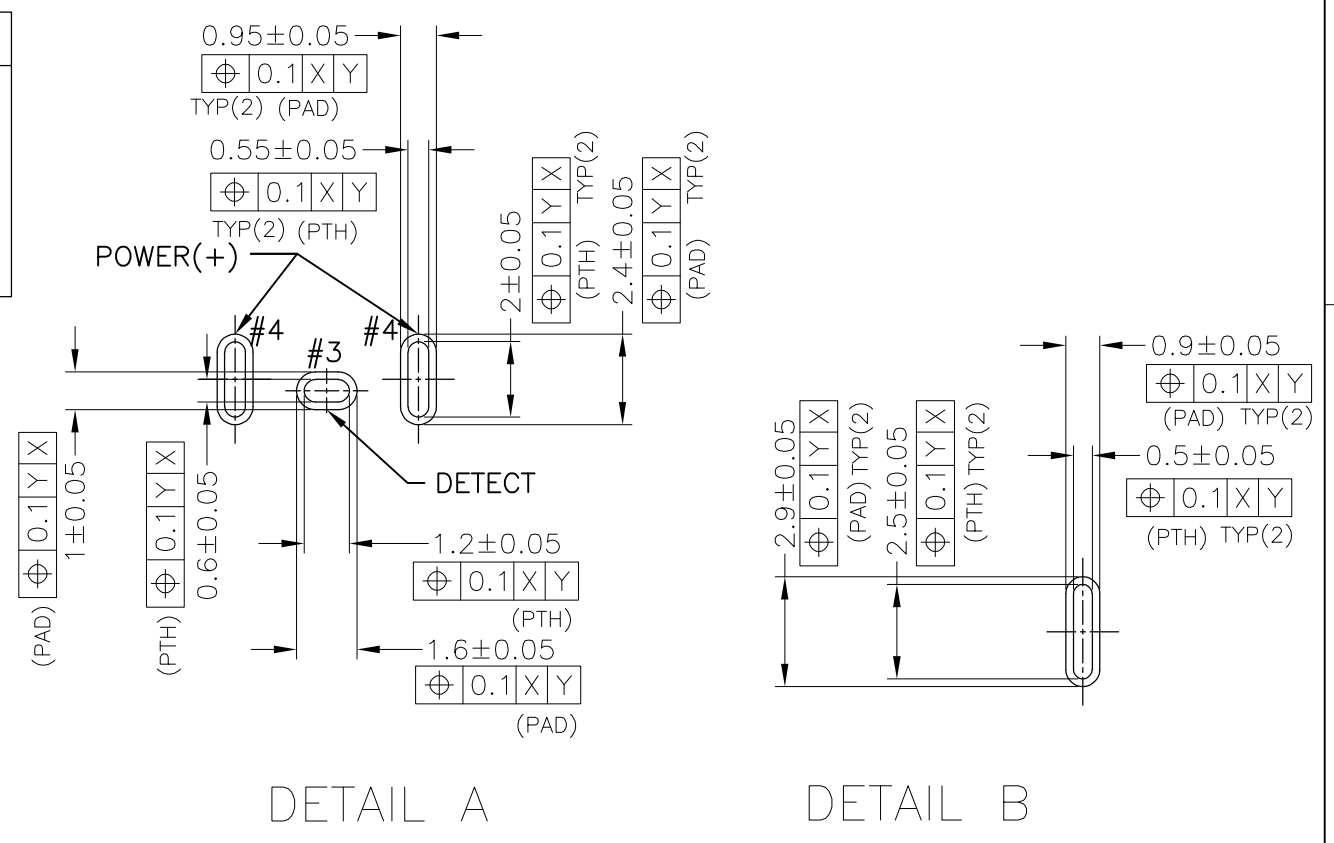
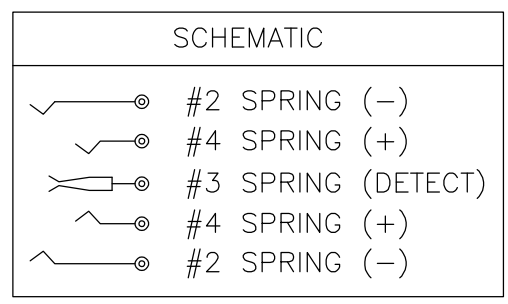
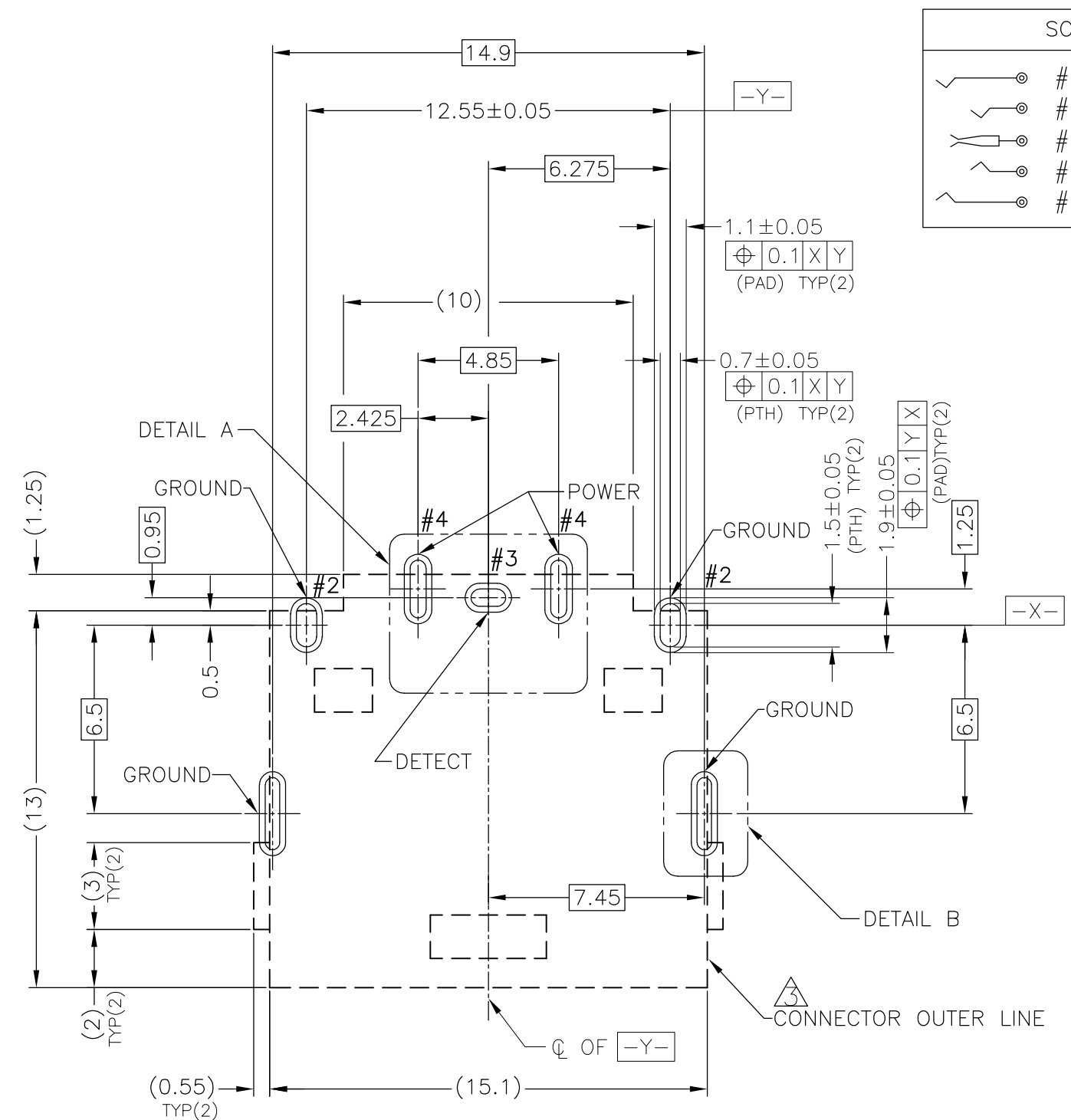


THIS DRAWING IS A CONTROLLED DOCUMENT.

DIMENSIONS: mm	TOLERANCES UNLESS OTHERWISE SPECIFIED:	DWN S.HUANG 24FEB12	 TE Connectivity DC POWER JACK CONNECTOR DIP TYPE
	0 PLC ± -	CHK V.PENG 24FEB12	
	1 PLC ± - ±0.25	APVD W.KODAMA 24FEB12	
	2 PLC ± - ±3°	NAME	
MATERIAL SEE TABLE	FINISH	PRODUCT SPEC 108-99035	SIZE CAGE CODE DRAWING NO RESTRICTED TO
		APPLICATION SPEC 501-99040	A3 00779 C-2129345
		WEIGHT	SCALE 4:1 SHEET 1 OF 3 REV B5
		CUSTOMER DRAWING	

THIS DRAWING IS UNPUBLISHED. RELEASED FOR PUBLICATION
 © COPYRIGHT - By - ALL RIGHTS RESERVED.

LOC	DIST	REVISIONS			
P	LTR	DESCRIPTION	DATE	DWN	APVD
		SEE SHEET 1	-	-	-



RECOMMENDED P.C.BOARD PATTERN LAYOUT (TOP VIEW)
 TOLERANCE:±0.05 (THICKNESS=0.8mm)

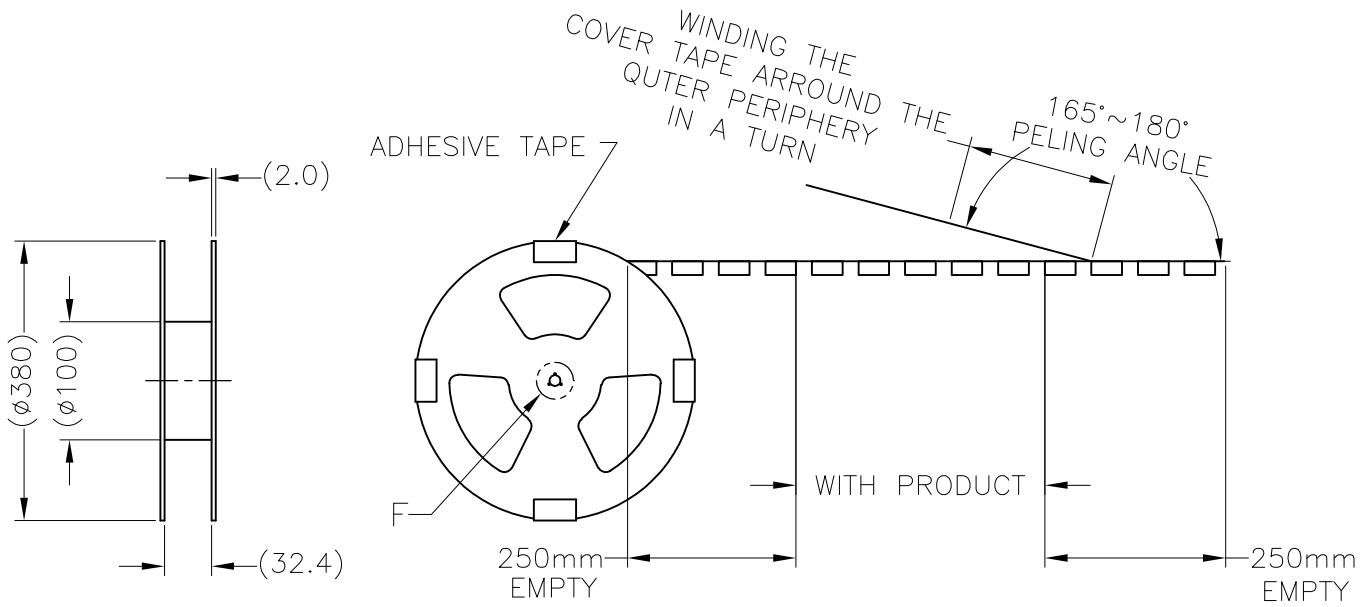
⚠ [] : CONNECTOR OUTER LINE (NO COMPONENT AREA)

THIS DRAWING IS A CONTROLLED DOCUMENT.		DWN	TE Connectivity		
DIMENSIONS: mm		CHK	NAME		
TOLERANCES UNLESS OTHERWISE SPECIFIED:		APVD	DC POWER JACK CONNECTOR DIP TYPE		
0 PLC	± -	PRODUCT SPEC	SIZE	CAGE CODE	DRAWING NO
1 PLC	± -	APPLICATION SPEC	A3	00779	C-2129345
2 PLC	± -	WEIGHT	RESTRICTED TO		
3 PLC	± -		SCALE 5:1 SHEET 2 OF 3 REV B5		
4 PLC	± -		CUSTOMER DRAWING		
ANGLES	± -				
FINISH	± -				

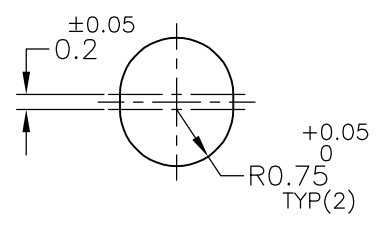
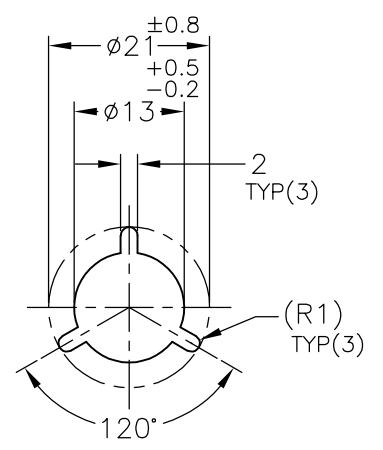
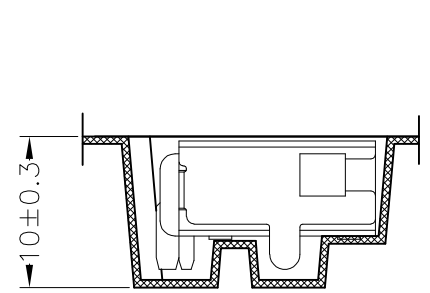
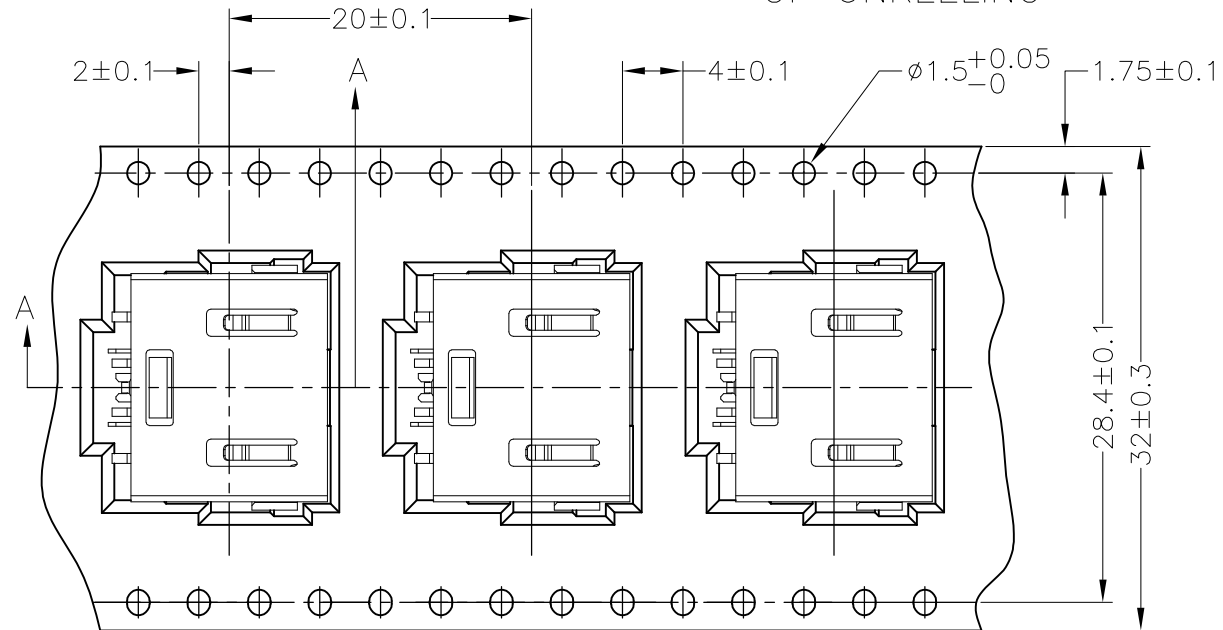
THIS DRAWING IS UNPUBLISHED. RELEASED FOR PUBLICATION
 © COPYRIGHT - By - ALL RIGHTS RESERVED.

LOC	DIST	REVISIONS			
P	LTR	DESCRIPTION	DATE	DWN	APVD
DW	/	SEE SHEET 1	-	-	-

4. SHIPPING BOX DIMENSION: 445mmX445mmX270mm

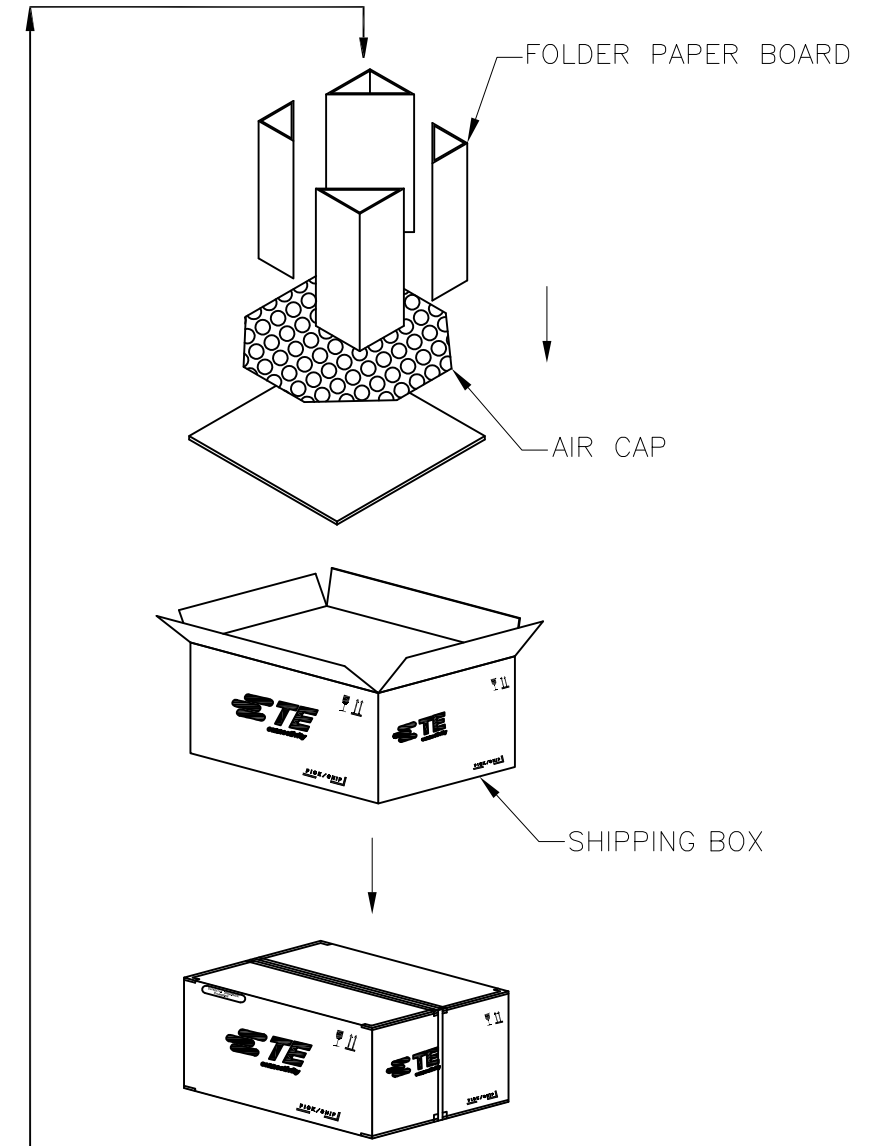
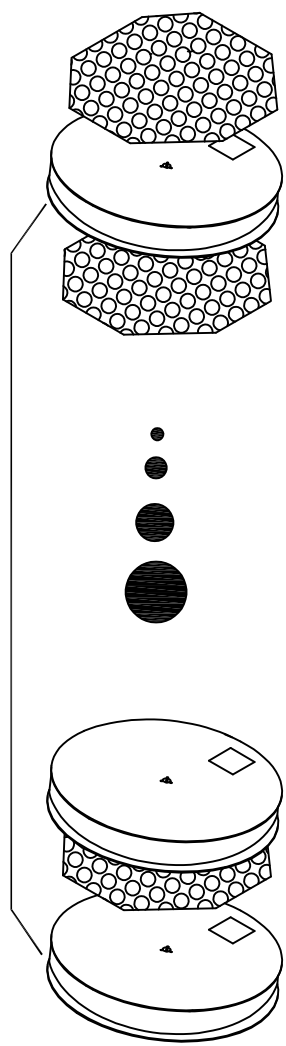


USER DIRECTION OF UNREELING



DETAIL G SCALE 10:1

DETAIL F SCALE: FREE



450	5	2250
PCS/REEL	REEL/SHIPPING BOX	TOTAL Q'TY

THIS DRAWING IS A CONTROLLED DOCUMENT.		DWN	-		
DIMENSIONS: mm		CHK	-		
TOLERANCES UNLESS OTHERWISE SPECIFIED:		APVD	-		
0 PLC	± -	PRODUCT SPEC	-		
1 PLC	± -	APPLICATION SPEC	-		
2 PLC	± -	WEIGHT	-		
3 PLC	± - ±0.25	-			
4 PLC	± - ±3°	-			
ANGLES	± -	-			
MATERIAL	FINISH	-			

STE TE Connectivity		NAME		DC POWER JACK CONNECTOR DIP TYPE	
SIZE	CAGE CODE	DRAWING NO	RESTRICTED TO		
A3	00779	C-2129345	-		
CUSTOMER DRAWING		SCALE	SHEET	REV	
		NA	3 OF 3	B5	

Mouser Electronics

Authorized Distributor

Click to View Pricing, Inventory, Delivery & Lifecycle Information:

[TE Connectivity:](#)

[1-2129345-2](#)