

ADS41xx/58B18EVM

User's Guide



Literature Number: SLWU067C
November 2009–Revised May 2012

1	Overview	4
1.1	Purpose	4
1.2	EVM Quick-Start Procedure	4
2	Circuit Description	6
2.1	Schematic Diagram	6
2.2	Circuit Function	6
3	TI ADC SPI Control Interface	13
3.1	Installing the ADC SPI Interface	13
3.2	Setting Up the EVM for ADC SPI Control	14
3.3	Using the TI ADC SPI Interface Software	14
3.4	Controlling the SPI Interface Using TI TSW1200 Software 2.0	16
4	Quick Start Setup	18
5	Evaluation	19
5.1	Register Programming	19
5.2	Quick-Test Results	20

List of Figures

1	ADS41xx Jumpers	6
2	ADS41xx/58B18 Surface Jumpers	7
3	ADS41xx/58B18EVM Power Distribution	8
4	CDCE72010 EEPROM Configuration Block Diagram	11
5	Found New Hardware.....	14
6	GUI Main Page	15
7	GUI Advanced Page	16
8	TI TSW1200 SPI Interface	17
9	TSW1200 GUI Introduction	19
10	Quick-Setup Test Result.....	20

List of Tables

1	Jumper List	4
2	EVM Power Supply Jumper Description	8
3	EVM Power Supply Options	9
4	Clock Input Jumper Description	10
5	EVM Clock Input Options.....	10
6	Analog Input Jumper Description	12
7	EVM Analog Input Options	12

ADS41xx/58B18EVM

1 Overview

This evaluation module (EVM) user's guide gives an overview of the EVM and provides a general description of the features and functions to be considered while using this module.

This EVM user's guide applies to multiple EVMs:

- ADS41xx family:
 - ADS4126, ADS4146, ADS4128, ADS4129, ADS4149, ADS41B29, ADS41B49, ADS58B18

1.1 Purpose

The ADS41xx/58B18 EVM provides a platform for evaluating the analog-to-digital converter (ADC) under various signal, clock, reference, and power supply conditions. Use this document in combination with the EVM schematic diagram supplied.

1.2 EVM Quick-Start Procedure

The ADS41xx/58B18EVM provides numerous options for providing clock, input frequency, and power to the ADC under evaluation. The quick-start procedure describes how to quickly get initial results using the default configuration of the EVM as it was shipped. The EVM can be put back to default configuration by setting all jumpers with the default values as described in [Table 1](#). The default configuration of the EVM is for single-ended signals into the analog input and clock input. These signals are converted from single-ended to differential onboard with the use of transformers. The default configuration for the power supply is to provide a single 3.3-V supply to the red banana jack J16, PWR_IN. The default configuration for the EVM is to control the modes of operation by jumper settings for parallel input control pins rather than serial SPI control of the register space. The other modes of operation of the EVM are described in the latter sections of this document.

CAUTION

Voltage Limits: Exceeding the maximum input voltages can damage EVM components. Undervoltage can cause improper operation of some or all of the EVM components.

A quick-setup procedure for the default configuration of the ADS41xx/58B18EVM follows:.

1. Verify all jumper settings against the schematic jumper list in [Table 1](#).

Table 1. Jumper List

Jumper	Function	Default Jumper Setting
Interface Circuit Operational Amplifier THS4509 (Bypassed)		
R94/95/98/106	AMP+	R94/98
R82/96/97/99	AMP–	R97
JP7	PD	1-2

Windows is a trademark of Microsoft Corporation.
Mini-Circuits is a trademark of Scientific Components Corporation.

Table 1. Jumper List (continued)

Jumper	Function	Default Jumper Setting
ADC Circuit		
JP12	Parallel	1-2
JP11	SDA	Open
JP9	SEN	1-2
JP15	OE	Open
J2	DFS	7-8
J1	SEN	7-8
Clock Interface Circuit CDCE72010 (Bypassed)		
R81/107	CLOCK IN	R81
R113/114/115	CLOCK IN, Y0, Y1P SELECT	R115
R108/110	Y1N SELECT	R110
JP1	PWRDWN CDC	1-2
Power Supply		
JP13	1.8VA_IN	1-2
JP14	1.8VD_IN	1-2
JP3	3.3V CDC	1-2
JP17	3.3V input select for LDO or switching regulator	1-2
JP19	1.8V output select from LDO or switching regulator	1-2

2. Connect the 3.3-V supply between J16 and J12 (GND). Do not connect a voltage source greater than 3.6 V.
3. Switch on external 3.3-V power supply.
4. Using a function generator with 50-Ω output impedance, generate a 0-V offset, 1.5-Vpp sine-wave clock into J19. The frequency of the clock must be within the specification for the device speed grade.
5. Use a frequency generator with a 50-Ω output impedance to provide a 0-V offset, –1-dBFS-amplitude sine-wave signal into J6. This provides a transformer-coupled differential input signal to the ADC.
6. Connect the TSW1200 or suitable logic analyzer to J10 to capture the resulting digital data. If a TSW1200 is being used to capture data, follow the additional alphabetically labeled steps. For more information, see [Section 5](#).
 - (a) After installing the TSW1200 software and connecting the TSW1200 to the USB port, open the TSW1200 software.
 - (b) Depending on the ADC under evaluation, select from the TI ADC Selection pull-down menu.
 - (c) Change the ADC Sample Rate and ADC Input Frequency to match those of the signal generator.
 - (d) After selecting a Single Tone FFT test, press the Capture Data button.

2 Circuit Description

2.1 Schematic Diagram

The schematic diagram for this EVM can be found on the TI Web site in the relevant ADS41xx or ADS41Bxx product folder. See the schematic or relevant section of this user's guide before changing any jumpers.

2.2 Circuit Function

Selection of various modes of operation of the ADS41xx/58B18EVM is most often controlled by jumpers on the EVM, either by placing shunts on 0.025-inch square jumper posts or by installation of surface mount 0-Ω resistors. In general, the use of 0-Ω resistors as jumpers are used in the clock or signal path where signal integrity is critical and jumper posts are used for static or low-speed control paths. [Figure 1](#) shows the relative location of the jumpers, connectors, and switches used on the ADS41xx/58B18EVM. [Figure 2](#) shows the relative locations of most of the resistors and surface-mount 0-Ω jumper locations used on the EVM. In the description of the circuit options in the following sections, each operational mode is accompanied by a table entry that details the jumper or resistor changes that enable that option. [Figure 1](#) and [Figure 2](#) can assist the user to quickly identify where these jumpers are located on the EVM.

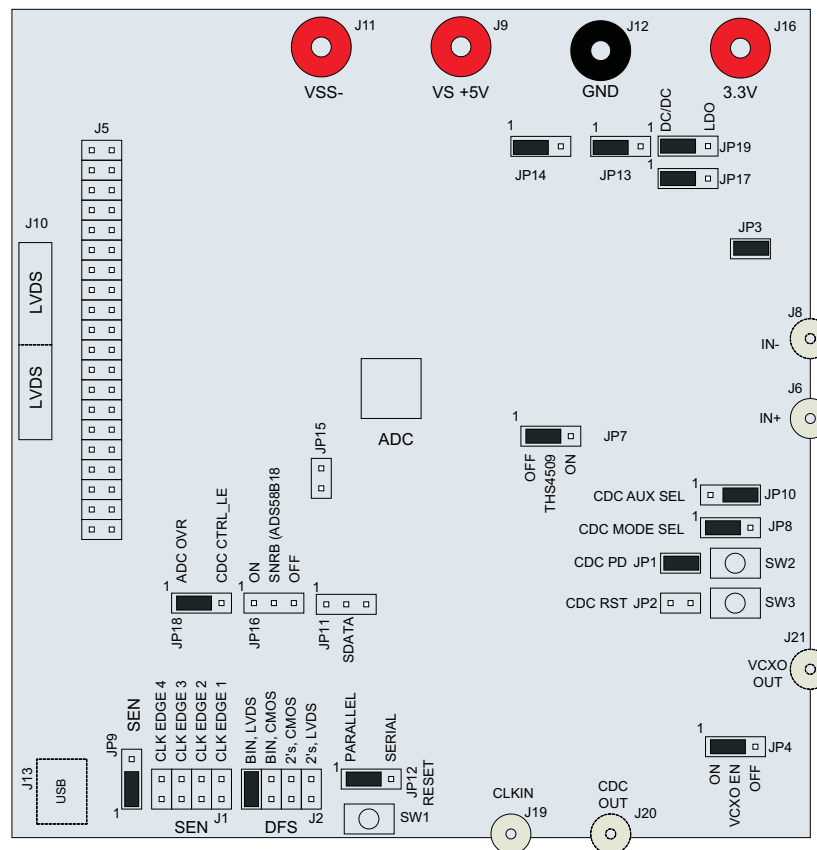


Figure 1. ADS41xx Jumpers

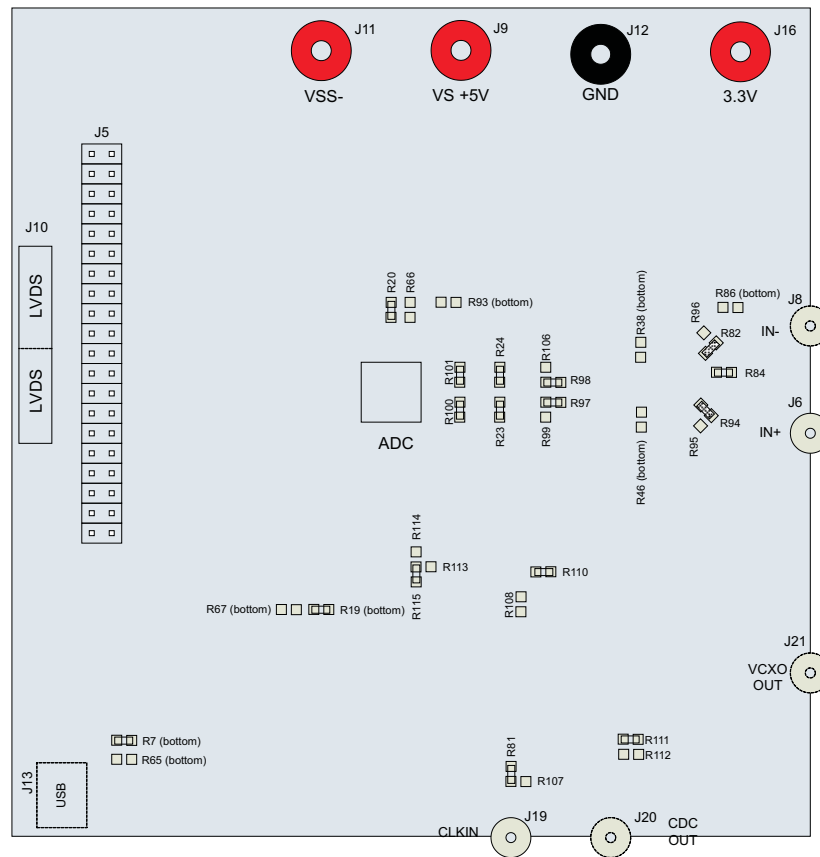
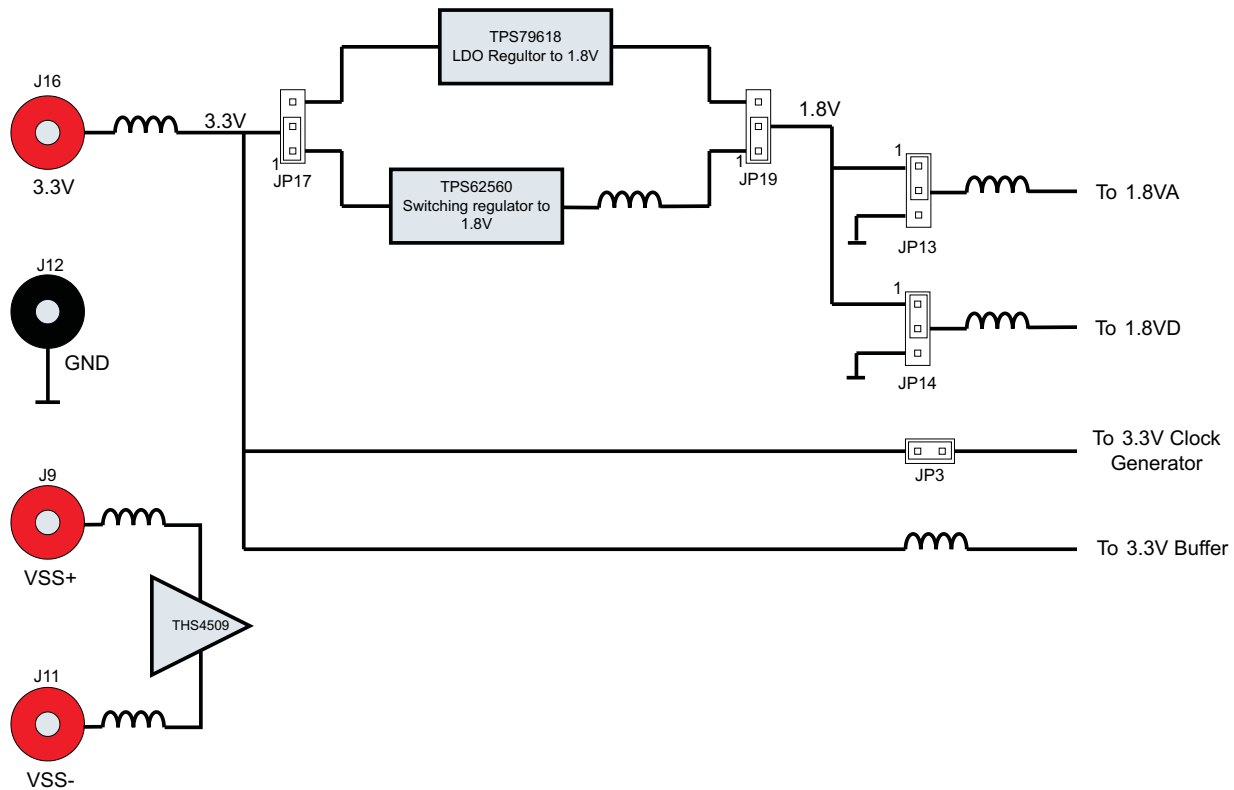


Figure 2. ADS41xx/58B18 Surface Jumpers

The following sections describe the function of individual circuits. See the relevant data sheet for device operating characteristics.

2.2.1 Power

Power is supplied to the EVM through banana jacks; from this input power, three different ways are available of delivering power to the ADC and the other EVM functions. Figure 3 shows a simplified representation of the power options available for the ADS41xx/58B18EVM. The default option is to provide 3.3 V to the red banana jack J16, and from there the EVM generates 1.8 V for the analog and digital supplies to the ADC. The 1.8-V rails for the ADC can be generated from the 3.3-V input either through a low-noise dropout regulator (TPS79618), from a switching regulator (TPS62562) for maximum power efficiency or from an external 1.8-V power supply. The EVM also generates the proper voltages for optional features of the EVM such as the Clock Generation circuitry, the USB circuitry, and the CMOS output buffer.


Figure 3. ADS41xx/58B18EVM Power Distribution

Some ADC devices that may be evaluated on the ADS41xx/58B18 platform require a 3.3-V supply for an internal front-end buffer. For this reason, an isolated 3.3V_BUF supply is on the power section of the schematic.

Power for the optional THS4509 operational amplifier is supplied by banana jacks J9 and J11. If the amplifier is being evaluated, 5 V is supplied to J9 and J11 is connected to ground. Otherwise, these inputs may be left unconnected.

The power supply for the default operation of the ADS41xx/58B18EVM has been simplified by requiring only a single 3.3 V. [Table 2](#) displays the general jumper setting information; [Table 3](#) displays the various power option settings. Prior to making any jumper settings, see the schematic located on the TI Web site in the relevant ADS41xx or ADS41Bxx product folder.

Table 2. EVM Power Supply Jumper Description

EVM Banana Jack/Jumper	Description	Jumper setting
J16	Input	3.3-V power supply input
JP3	3.3 V for CDCE72010	Shunt for CDCE72010 operation
JP13	1.8-VA input	1-2 → 1.8 V from LDO/switching regular to 1.8 VA of ADC (default); 2-3 → option for external 1.8-V supply
JP14	1.8-VD input	1-2 → 1.8 V from LDO/switching regular to 1.8 VD of ADC (default); 2-3 → option for external 1.8-V supply
JP17	3.3-V input selection for LDO/switching regulator	1-2 → 3.3-V input for TPS62562 (default); 2-3 → 3.3-V input for TPS79618
JP19	1.8-V selection from LDO/switching regulator	1-2 → 1.8-V output from TPS62562 (default); 2-3 → 1.8-V output from TPS79618

Table 3. EVM Power Supply Options

EVM Option	Evaluation Goal	Jumper Changes Required	Voltage on J16	Comments
1	Evaluate ADC performance using a switching power supply (TP62562)	JP13 → 1-2; JP14 → 1-2; JP17 → 1-2; JP19 → 1-2;	3.3 V	Maximum performance and efficiency.
2	Evaluate ADC performance using a LDO-based (TPS79618) solution.	JP13 → 1-2; JP14 → 1-2; JP17 → 2-3; JP19 → 2-3;	3.3 V	Maximum performance.
3	Evaluate ADC performance using an isolated ADC AVDD and DVDD for current consumption measurements	JP13 → 1.8V on 2-3; JP14 → 1.8V on 2-3; JP17 → open3; JP19 → open;	3.3 V	Isolated power supply for current consumption measurements

2.2.1.1 Power Supply Option 1

The 1.8-V rails for the ADC are generated by the TPS62562 switching regulator. The TPS62562 is a step-down (buck) converter with an acceptable input range of up to 5.5 V. However, because other circuits on the EVM are connected to the 3.3-V input rail, the input voltage to J16 must not exceed 3.6 V or damage to those ICs will occur. This option complements the very low power consumption of the ADS4xxx/58B18EVM as the TPS62562 provides excellent power efficiency.

2.2.1.2 Power Supply Option 2

Option 2 supplies power to the 1.8-V analog and digital rails of the ADC by using the TPS79618. The TPS79618 is a low-noise dropout regulator - the 1.5-V dropout voltage (3.3 V to 1.8 V) provides sufficient headroom for maximum PSRR and ADC performance. However, it comes at the expense of higher system power consumption.

2.2.1.3 Power Supply Option 3

Option 3 is used to evaluate ADC performance using an isolated AVDD and DVDD power supply for current-consumption measurements. This option must be used with caution as reversing the power supply or connecting to the wrong connector can result in damage to the EVM. One common usage of this option is to measure the separate current consumption of the relative supplies under particular operating conditions. For this option, the shunts on jumpers JP13 and JP14 are removed and the input power is supplied to the center post of the jumper. For convenience, a ground post is provided next to the center post for header connections that contain power and ground on 0.1-inch centers.

2.2.2 Clock Input

The clock can be supplied to the ADC in several ways. The default clocking option is to supply a single-ended clock directly to the SMA connector, J19, directly. This clock is converted to differential and AC coupled to the ADC by transformer coupling. The clock input must be from a clean, low-jitter source and is commonly filtered external to the board by a narrow bandpass filter. The clock amplitude is commonly set to about 1.5 V peak-to-peak, and the amplitude offset is not an issue due to the AC coupling of the clock input. The clock source is commonly synchronized with the signal generator of the input frequency to keep the clock and IF coherent for meaningful FFT analysis.

Alternatively, the clock may be supplied by an onboard VCXO and CDCE72010 clock buffer. The CDCE72010 clock buffer has been factory programmed to output a clock to the ADC that is 1/4 the rate of the onboard VCXO. While using this clock option, a separate 20-MHz reference clock must be supplied to the CDCE72010 by way of the clock input SMA connector J19. From the CDCE72010, two clocking options to the ADC are possible. A differential LVPECL clock output may be connected to the ADC clock input or a single-ended CMOS clock from the CDCE72010 may be routed to the ADC transformer-coupled

clock input through an onboard crystal filter. For better performance, selecting the CMOS clock through a crystal output is recommended. Prior to making any jumper settings and resistor changes, see the schematic located on the TI Web site in the relevant ADS41xx or ADS41Bxx product folder. [Table 5](#) displays the various clock option settings. The VCXO and crystal filter do not come populated on the EVM by default, although the CDCE72010 clock buffer is installed.

Table 4. Clock Input Jumper Description

EVM Jumper Options	Description	Jumper Setting
JP4	ENABLE VCXO1 TC0-2111	1-2 → VCXO enabled 2-3 → VCXO disabled
J19	SMA connector for clock input	
JP1	CDCE72010 power down	1-2 → CDCE72010 is power down; Open → CDCE72010 is on
JP2	CDCE72010 reset	1-2 → Reset , Open → Normal operation. (default)
R81/107	Clock In or CDC ref. jumper	R81 → J19 supplies clock directly to ADC; R107 → Reference clock for CDCE72010
R113/114/115	Clock input to +ve terminal of T4 for ADC clock	R115 → Connects J19 to ADC; R114 → Connects Y0 output of CDCE72010 (This path has crystal filter) to ADC; R113 → Connects Y1P (Differential LVPECL clock output of CDCE72010) to ADC
R108/110	Clock input to -ve terminal of T4 for ADC clock	R110 → Connects to ground (Default); R108 → Connects to Y1N (Differential clock output of CDCE72010) only to be used with Y1P.
JP8	Mode select pin for CDCE72010	1-2 → High (default), see data sheet of CDCE72010; 2-3 → Ground
R111/112	PLLOCK LED	R111 → Connects to D3 diode; R112 → Ground through 10-nF capacitor
JP10	Aux_sel pin for CDCE72010	1-2 → High, see data sheet of CDCE72010; 2-3 → Ground (Default)

Table 5. EVM Clock Input Options

EVM Options	Evaluation Goal	Jumper and Resistor Changes Required	Frequency Input on J19	CDC Configuration Description	Comments
1	Evaluate ADC performance using a sinusoid clock	JP1 → 1-2; JP2 → no shunt; JP4 → 2-3; Install: R81, R110, R115	ADC's Sampling Frequency	NA	Default
2	Evaluate ADC performance using a crystal filtered LVCMOS clock derived from CDCE72010	JP1 → no shunt; JP2 → no shunt; JP4 → 1-2; Install: R107, R110, R114; Remove: R81, R115	20M for VCXO@98 3.04 MHz	Divide VCXO frequency by 4, output on Y0	Maximum performance
3	Evaluate ADC performance using a differential LVPECL clock	JP1 → no shunt; JP2 → no shunt; JP4 → 1-2; Install: R107, R108, R114; Remove: R81, R110, R115	20M for VCXO@98 3.04 MHz	Divide VCXO frequency by 4, differential LVPECL Clock output on Y1P and Y1N	Not recommended for most applications

2.2.2.1 Clock Option 1

The Clock Option 1 provides a clock to ADC directly from an external source. For the direct supply of the clock to the ADC, a single-ended square or sinusoidal clock input must be applied to J19. The clock frequency must be within the maximum frequency specified for the ADC. The clock input is converted to a differential signal by a Mini-Circuits™ ADT4-1WT, which has an impedance ratio of 4, implying that voltage applied on J19 is stepped up by a factor of 2. ADC performance in this case depends on the clock source quality. This option is also the default configuration on the EVM, when it is shipped from the factory. The test result using this option is shown in [Figure 10](#).

2.2.2.2 Clock Option 2

Option 2 uses the onboard VCXO and CDCE72010 to provide a clock to the ADC. The CDCE72010 is used in SPI mode which uses the internal EEPROM to configure the CDCE72010. The EEPROM is programmed in the factory for a divide-by-4 configuration. The EEPROM configuration is shown in Figure 4. The clock at J19 is the reference clock for CDCE72010. The VCXO frequency can be calculated as $F_{vcxo} = F_{out} \times 4$ (F_{out} is the frequency output U0 and U1). The reference clock for CDCE72010 is calculated from Ref Clock = $(F_{vcxo} \times 125) / (48 \times 128)$. This is the clock-to-M divider. When VCXO of frequency 983.04 MHz is used, the calculation results in a reference clock of 20 MHz; the clock output on Y0 pin of CDCE72010 is 245.76 MHz. This clock is filtered using the crystal filter with center frequency of 245.76 MHz. By default, the VCXO and the crystal filter are not populated on the EVM, so that the user can populate the components depending on the end application and sampling rate. This configuration is recommended for applications requiring an onboard clock generation scheme. The test result using this option is shown in Figure 4.

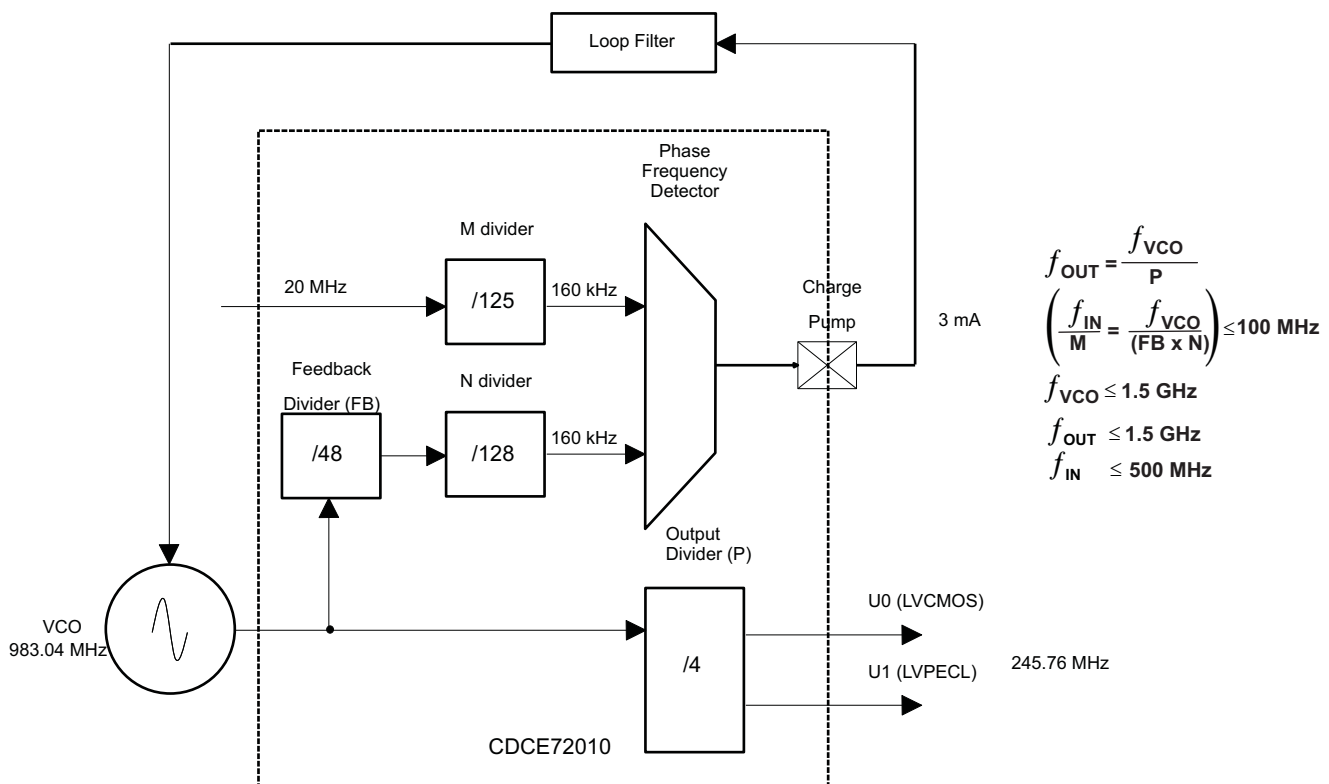


Figure 4. CDCE72010 EEPROM Configuration Block Diagram

2.2.2.3 Clock Option 3

Option 3 is used for a differential LVPECL clock. This configuration eliminates the need for a crystal filter. It uses the same EEPROM configuration as Option 2, but in this case, the ADC clock pins are connected to Y1N and Y1P. The jumper setting uses the clock output Y1P and Y1N from CDCE72010, to clock ADC. This configuration is not recommended for SNR critical applications. Notice that the clock frequency does not change. The frequency remains the same as in Clock Option 2. The test result using this option is shown in Figure 4.

2.2.3 Analog Inputs

The EVM can be configured to use either a transformer-coupled input or a THS4509 amplifier input, both from a single-ended source. The SMA connector J6 provides the single-ended analog input to the transformer-coupled input of the ADC. The SMA connector J8 is not installed by default, but can be used to bring a differential input clock to the transformer-coupled input or to bring a single-ended input to the THS4509 input circuit. To set the transformer up for one of these options, the EVM must be configured as per the options listed in [Table 7](#). Prior to making any jumper changes, see the schematic located on the TI Web site in the relevant ADS41xx or ADS41Bxx product folder.

Table 6. Analog Input Jumper Description

EVM Jumper options	Description	Jumper Setting
J6	Analog input single-ended.	
J8	Analog input, can be used with J6 for differential input	Not populated
J9	Power supply +	Apply 5 V
J11	Power Supply -	Ground
R98/106	AMP out+	R106 → Amp out+ is selected as the source of input to ADC; R98 → Use Analog input from J6 as signal source to ADC
R97/99	AMP out-	R99 → Amp out+ is selected as the source of input to ADC; R97 → Use Analog input from J6 as signal source to ADC
R82/96	-Input select	R82 → Differential signal input to transformer T1 (remove R84); R96 → negative input to amplifier
R94/95	+Input select	R94 → single-ended input to transformer T1; R95 → positive input to amplifier
JP7	Power down for amplifier THS4509	2-3 → Pulls up the pin (normal operation or amplifier is ON); 1-2 → Grounds the pin (low-power mode or amplifier is off)

Table 7. EVM Analog Input Options

EVM Options	Evaluation Goal	Jumper Changes Required	Voltage on J9 and J11	Analog Signal to ADC	Comments
1	Evaluate ADC performance using direct input to ADC.	Install: R84, R94, R97, R98; Remove: R82, R95, R96, R99, R106	Do not connect	From J6	Default
2	Evaluate ADC performance using input through THS4509	Install: R95, R96, R99, R106; Remove: R82, R84, R94, R97, R98	J9 → 5V, J11 → GND	Signal from J6 is amplified by THS4509	Used if input signal requires amplification.

2.2.3.1 Analog Input Option 1

Option 1 supplies the transformer-coupled input from J6 to ADC. This configuration is the default on the EVM. The test result using this option is shown in [Figure 10](#). A double-transformer input circuit is used to provide better differential to single-ended conversion than a single transformer can provide. The transformers used are both of a 1:1 turns ratio, so termination of the 50-Ω input signal path after the transformers can be two 25-Ω resistors terminated to the common-mode voltage (VCM) provided by the ADC.

Following the transformer coupling, surface-mount pads are provided for several input circuits. By default, the input circuit is configured as shown in the ADS4149 data sheet under the recommended input circuit for high-bandwidth (>100-MHz IF) inputs. However, the recommended low-bandwidth input circuit for the ADS4149 can be easily implemented on the surface-mount pads provided.

2.2.3.2 Analog Input Option 2

Option 2 allows the use of an amplifier to provide input to the ADC. TI has a range of wideband operational amplifiers such as THS4508/09/11/13/20. On this EVM, THS4509 is used as an example to amplify the input from J8. The THS4509 is powered up by applying 5 V to J9 and GND to J11. A differential power supply also may be used to power up the amplifier if common-mode biasing is an issue for DC-coupled applications. See the THS4509 data sheet ([SLOS547](#)). The output of the THS4509 is filtered through a band-pass filter before ADC input. The band-pass filter can be designed depending on the end application. By default, the band-pass filter components are not populated as the filter design depends on the end application. The TI schematic provides an example of a filter that is designed for the frequency band of 10 MHz to 58 MHz. When using the suggested filter, be sure to consider the proper value for R23 and R24 resistors, as the ADC may impose limits on how large these resistors may be while the amplifier may impose limits on how low an impedance it can drive. A key point when designing a filter is to design it for proper load termination. Care must be taken when supplying the input to the board, and ensure that the source impedance is 50 Ω. Results can vary due to mismatching of the various source and termination impedances.

2.2.4 Digital Outputs

The LVDS digital outputs can be accessed through the J10 output connector. A parallel 100-Ω termination resistor must be placed at the receiver to properly terminate each LVDS data pair. These resistors are required if the user wants to analyze the signals on an oscilloscope or a logic analyzer. The ADC performance also can be quickly evaluated using the TSW1200 boards as explained in the next section. Alternatively, the TSW1400 can be used with the High Speed Data Converter Pro software to evaluate the EVM. The TSW1200 automatically terminates the LVDS outputs once the TSW1200 is connected to J10. Alternatively, the ADS41xx/58B18 is supplied with a breakout-board to easily connect the LVDS outputs to a logic analyzer pod. This LVDS breakout-board also properly terminates the LVDS outputs once the breakout board is connected to J10.

The ADS41xx and most other ADCs that may be evaluated on this EVM also have an option to output the digitized parallel data in the form of single-ended CMOS. If single-ended CMOS is desired, header post connector J5 is provided for the CMOS output. In order to use the header J5, a CMOS buffer U7 must be installed in place of a bank of 0-Ω resistors that by default steer the outputs to the LVDS connector J10.

3 TI ADC SPI Control Interface

This section describes the software features accompanying the EVM kit. The ADS41xx EVM control software provides full control of the SPI interface, allowing users to write to any of the ADC registers found in the ADC data sheet. For most ADS4149 (and other ADCs evaluated on this EVM) performance evaluations, users do not need to use the EVM control software to get evaluation results. Users only need to use the ADC SPI control software when the desired feature is inaccessible because the ADC is in parallel interface mode.

3.1 Installing the ADC SPI Interface

ADC SPI control software can be installed on a personal computer by running the setup.exe file located on the TI Web site in a zip file in the EVM product folder. This file installs the graphical user interface (GUI) along with the USB drivers needed to communicate with the USB port that resides on the EVM. The software installation provides for installation in a default directory, which the user may change to some other directory path if desired. After the software is installed, insert the USB cable in the EVM to complete the installation. The Found New Hardware wizard starts and when prompted, users must allow the Windows™ operating system to search for device drivers by checking "Yes, this time only" as seen in [Figure 5](#).

NOTE: Before plugging in the USB cable for the first time, install the TI ADC SPI software. The software installs the drivers necessary for USB communication.

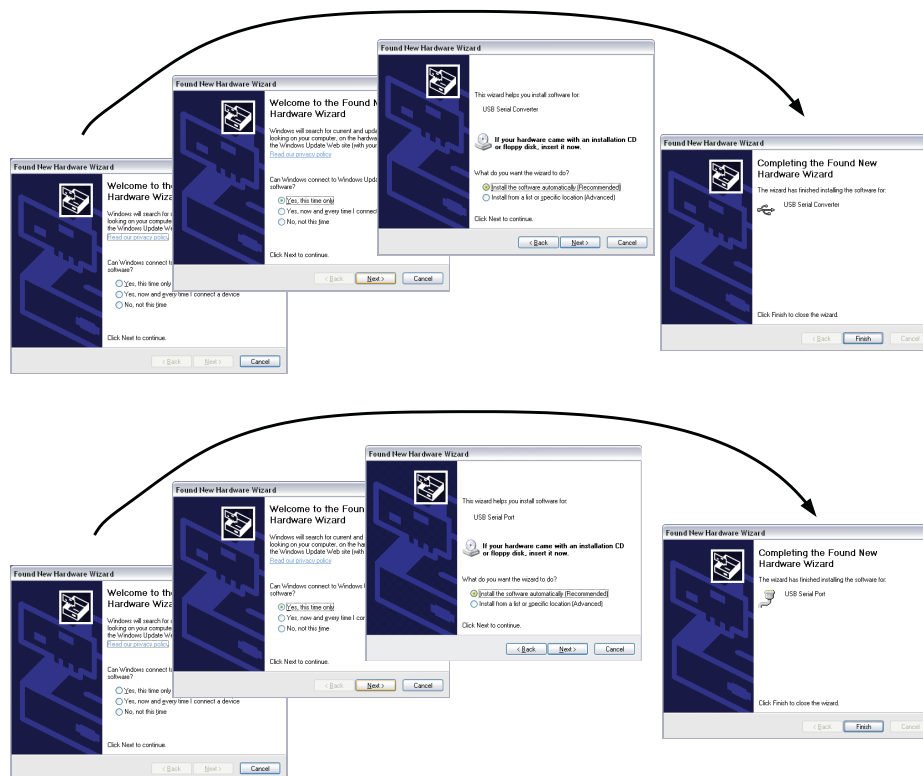


Figure 5. Found New Hardware

3.2 Setting Up the EVM for ADC SPI Control

Users who want to use the ADC SPI interface must configure three jumpers for proper control of the SPI bus. By default, the EVM comes with the ADC configured in parallel mode. In order to use the SPI interface to control the ADC modes of operation, users must:

- Move jumper JP12 to short positions 2–3, which places the ADC in serial operation mode.
- Move jumper JP11 to short positions 2–3, which allows the USB circuit to control SDATA.
- Move jumper JP9 to short positions 2–3, which allows the USB circuit to control SEN.

3.3 Using the TI ADC SPI Interface Software

Once the software is installed and the USB cable is connected, three primary modes of operating the software are available: ADS41xx frequently used registers, SPI register writes, and SPI register writes using a script file .

3.3.1 SPI Register Writes

By default the ADS41xx EVM is configured to allow access of the register space in the ADS41xx using the TI ADC SPI user interface. The GUI contains a main and an advanced page but most of the programming can be done on the main tab.

The main page (see Figure 6) provides bit switches for easy access of the most frequently used registers. It also offers the option of directly writing data into registers through the address and data field. Additional features like clock edge control or offset compensation are located on the advanced page of the GUI (see Figure 7). Current registers being written are displayed on the right side in hexadecimal format as well as in Boolean format on the bottom (16-bit total – 8-bit address and 8-bit data). The user also has the option to load or save a register file.

After power up of the EVM, it is recommended to perform a reset of the USB port of the EVM (button on top).

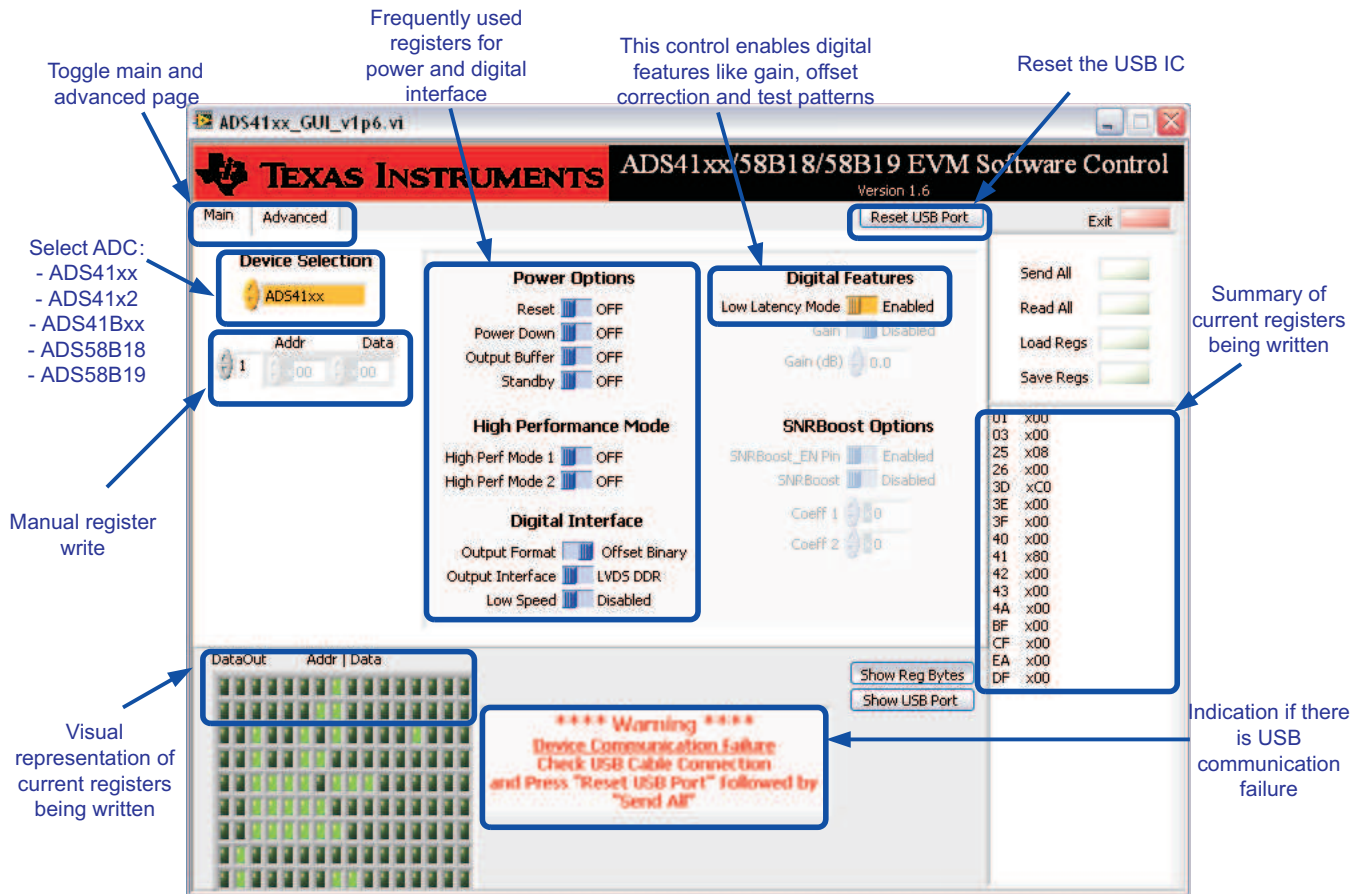


Figure 6. GUI Main Page

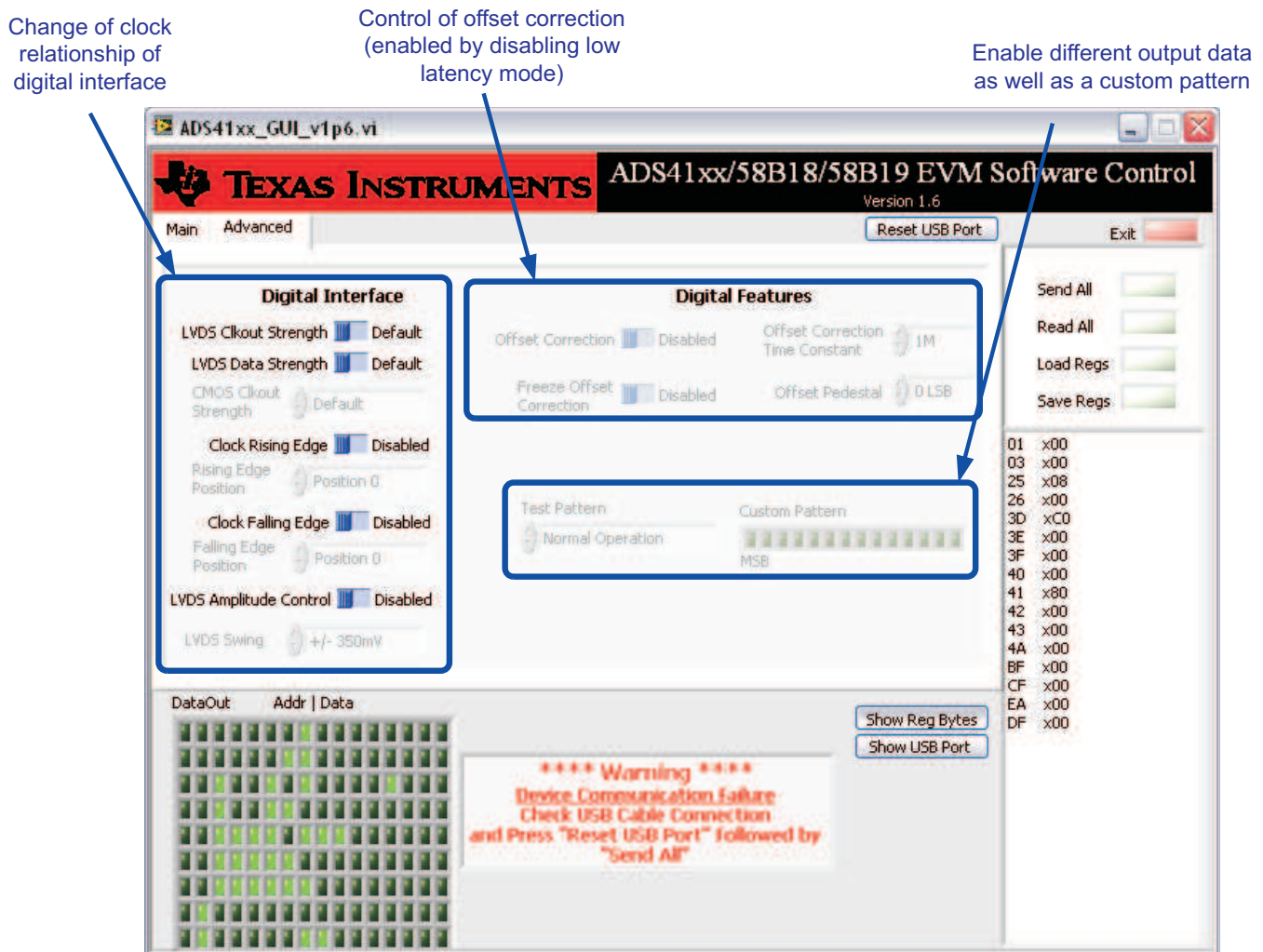


Figure 7. GUI Advanced Page

3.4 Controlling the SPI Interface Using TI TSW1200 Software 2.0

The ADS41xxEVM provides an option for the TSW1200 to drive the SPI interface to perform register writes to the ADS41xx register space. To enable this option, the 0-Ω resistors installed in locations R7, R19, and R20 must be removed and installed in locations R65, R66, and R67 instead. This connects the SPI signals SCLK, SEN, and SDATA to the TSW1200 connector J4 instead of to the USB port on the EVM.

The TSW1200 User Interface revision 2.0 or newer includes a SPI control pane as shown in [Figure 8](#). Much like the TI ADC SPI User Interface, the SPI pane of the TSW1200 User Interface allows register accesses to be specified in terms of address byte and data byte. The Send Data button causes the registers accesses listed in the SPI Command Queue to be written to the ADS41xx. Unlike the TI ADC SPI Interface, the TSW1200 User Interface allows several register accesses to be entered into the Command Queue, and then pressing the Send Data button causes the whole queue to be written at once.

The benefit of using the Command Queue to queue up register accesses is that once a commonly used string of register accesses are listed in the command queue, the queue may be saved under a command name, and loading this command name later fills the queue with the string of register accesses and then the send data button writes the queue to the ADC. This simple mechanism of creating a script of register writes may be more convenient for frequently used sequences of register writes. Also, if a register access is typed incorrectly, then by writing to the queue before sending the data to the device allows the chance to clear the queue and start typing again in the register accesses.

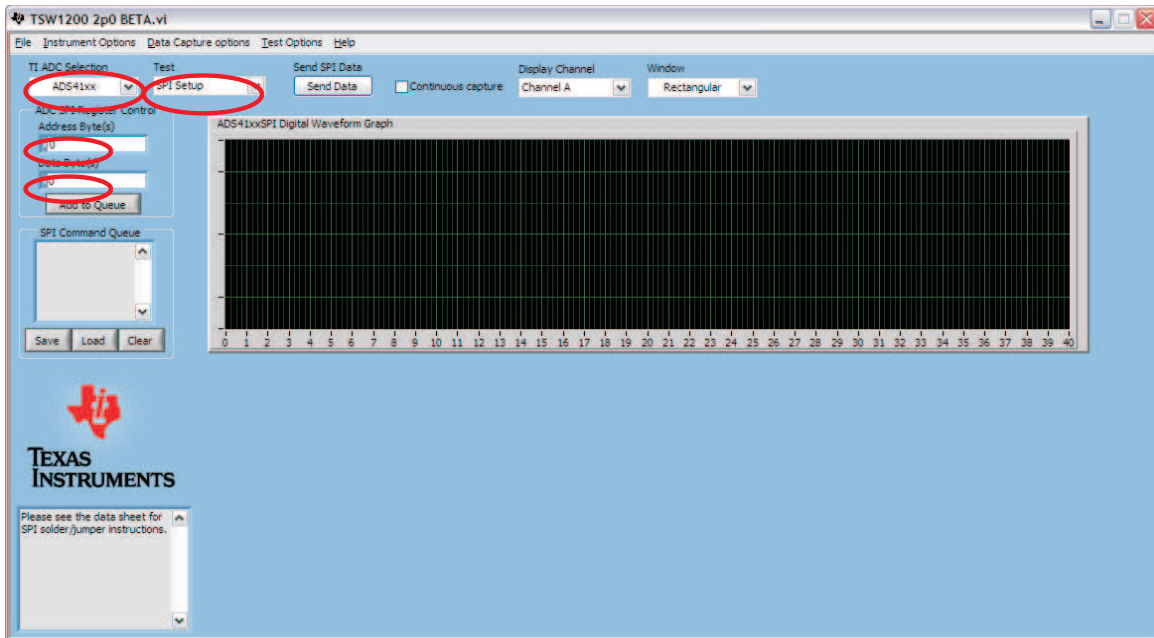
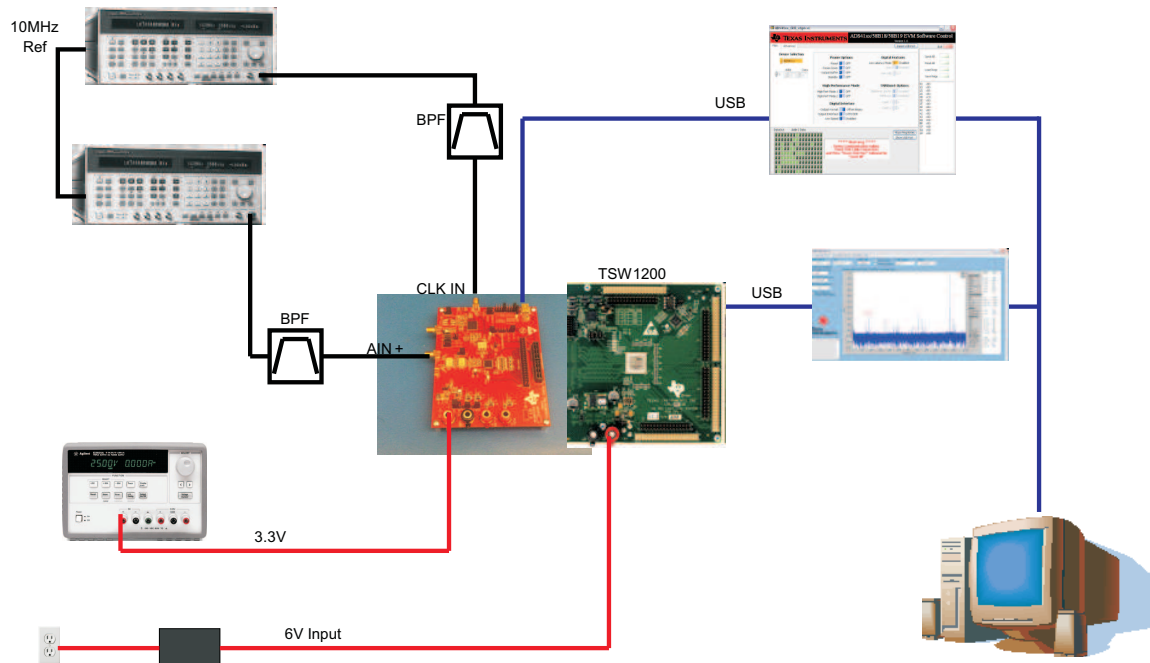


Figure 8. TI TSW1200 SPI Interface

4 Quick Start Setup

- Set up the ADS41xxEVM according the following diagram.
 - Two signal generators are used and externally locked through the 10-MHz reference. Furthermore, bandpass filters on clock and data input are used to minimize spurs and noise created by the signal generators. Depending on filter attenuation, the clock generator amplitude must be set to 10-13 dBm.
 - USB connection of the PC to ADS41xxEVM as well as TSW1200 must be established and if necessary the USB drivers installed accordingly (see [Section 3.2](#)).
 - The ADS41xx EVM requires a 3.3V power supply and the TSW1200 the 6-V wall wart.



- If Serial mode (SPI) is used, ensure that jumpers are set for SPI mode (SCLK, SDATA, SEN).
- Configure the following SPI registers:
 - Reset USB.
 - Reset ADC.
 - Disable low latency mode (ADS41xx only).
 - Enable gain (ADS41xx only).
 - Set gain to 1 dB (ADS41xx only).
- Configure the TSW1200 (see [Figure 9](#)).
 - Select correct ADC from ADC selection pull down menu
 - Press control + shift + I to initialize the TSW1200.
 - Enter sampling rate (e.g., 245.76 Msps).
 - Enter input frequency, and then enter calculated coherent frequency into the signal generator (e.g., 10 MHz).
 - Select 'Single Tone FFT.'
 - Hit capture to perform a measurement.
 - Adjust input signal amplitude until fundamental amplitude reaches ~ -1 dBFS.
- Measurement is illustrated in [Figure 10](#).

5 Evaluation

5.1 Register Programming

Early EVMs (serial number 001 to 050) were assembled with preproduction silicon. To obtain optimum SNR and SFDR performance at input frequencies above 130 MHz, it is recommended to set the following registers:

Address	Data
x03	x04
xD3	x40
xDB	xD0

This change is addressed in production silicon.

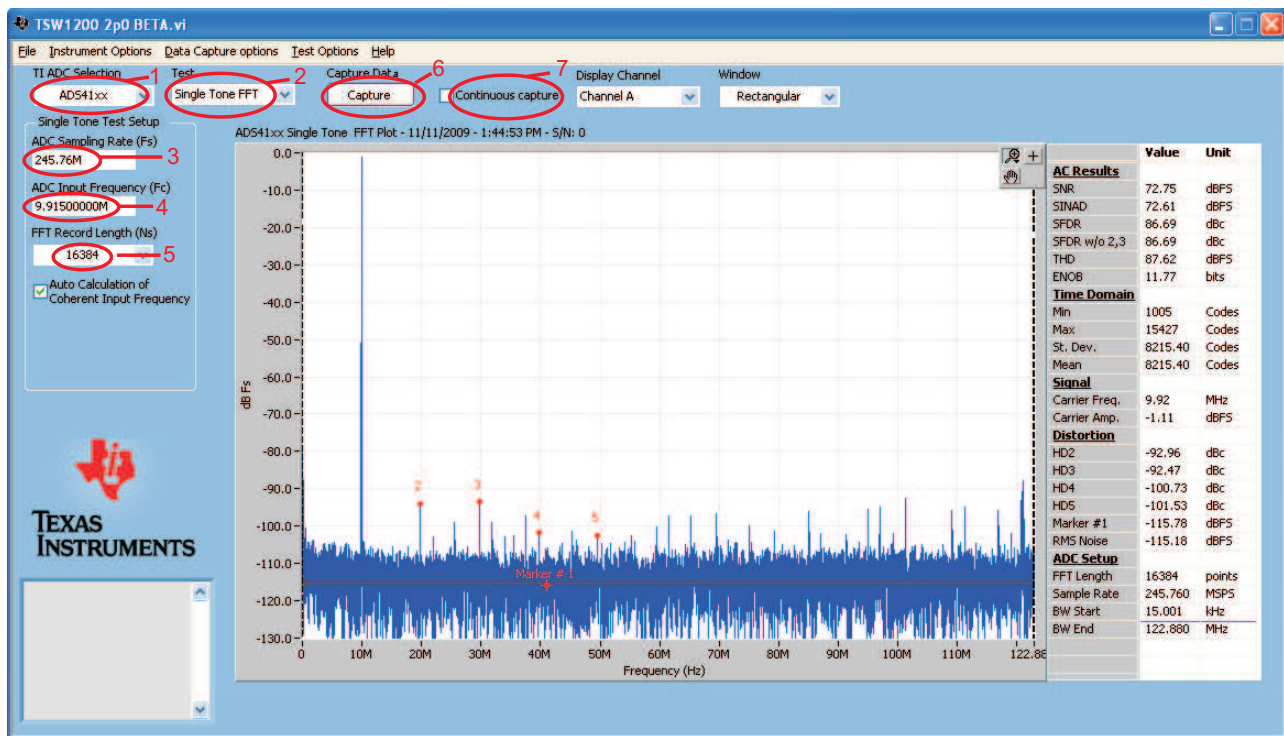


Figure 9. TSW1200 GUI Introduction

To start the TSW1200 software, note the following points:

1. Select the ADC type to be used before capturing.
2. For test, select Single Tone FFT plot.
3. For the ADC Sampling Rate, type in the value.
4. Type in the ADC Input Frequency. Auto calculation of the input frequency depends on the FFT record length. As soon as the number is entered, the software calculates the coherent input frequency corresponding to that FFT length. This frequency signal must be supplied through the signal generator.
5. Select the FFT Record Length.
6. Select Capture to obtain the plot
7. The Continuous Capture option is used if the user wants to continuously capture the FFT.

Adjust the input level signal to attain the dBFS of approximately -1.

5.2 Quick-Test Results

The user can make the jumper setting as mentioned in [Table 1](#). In this configuration, the EVM uses an external clock source from J19 and a direct input signal J6 to the ADC. This setup uses Power Option 2 ([Table 3](#)), Clock Option 1 ([Table 5](#)), and Analog Input Option 1 ([Table 7](#)), which is the default on the EVM. [Figure 10](#) shows the ADC performance capture using TSW1200 with the input signal of a 100-MHz frequency and clock frequency of 245.76 MHz with ADS4149.

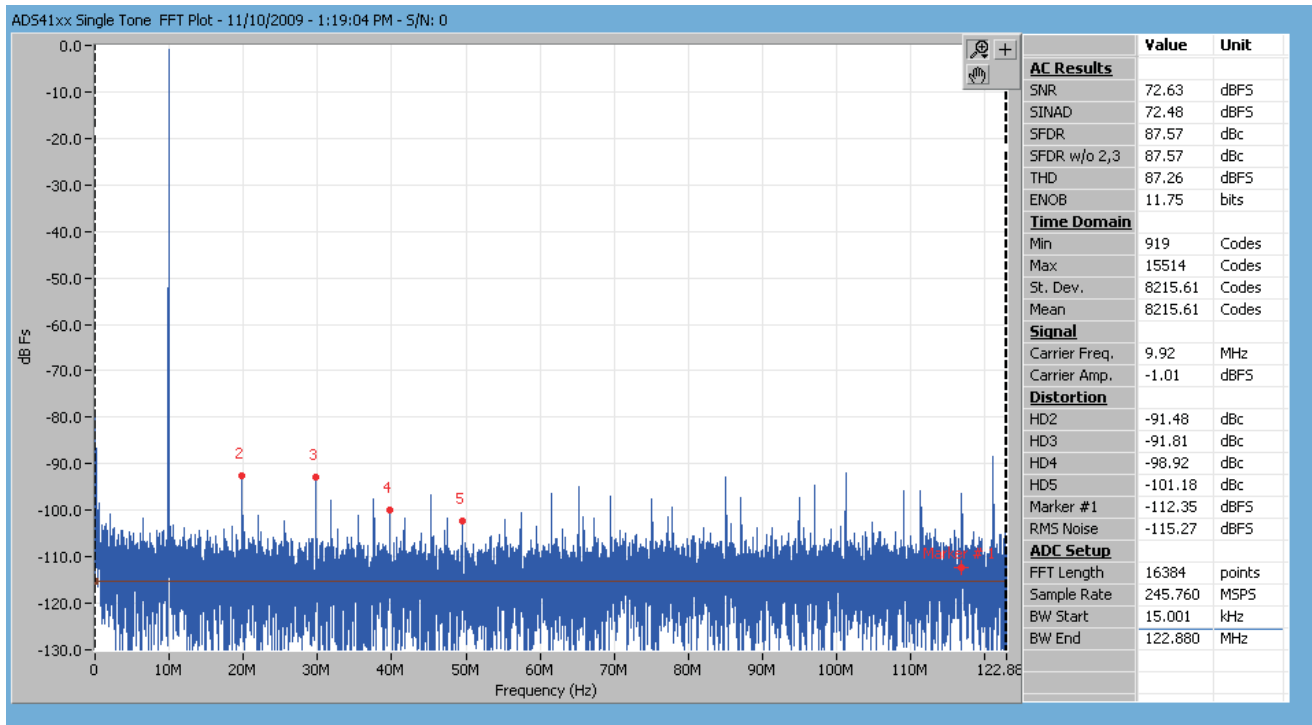


Figure 10. Quick-Setup Test Result.

Evaluation Board/Kit Important Notice

Texas Instruments (TI) provides the enclosed product(s) under the following conditions:

This evaluation board/kit is intended for use for **ENGINEERING DEVELOPMENT, DEMONSTRATION, OR EVALUATION PURPOSES ONLY** and is not considered by TI to be a finished end-product fit for general consumer use. Persons handling the product(s) must have electronics training and observe good engineering practice standards. As such, the goods being provided are not intended to be complete in terms of required design-, marketing-, and/or manufacturing-related protective considerations, including product safety and environmental measures typically found in end products that incorporate such semiconductor components or circuit boards. This evaluation board/kit does not fall within the scope of the European Union directives regarding electromagnetic compatibility, restricted substances (RoHS), recycling (WEEE), FCC, CE or UL, and therefore may not meet the technical requirements of these directives or other related directives.

Should this evaluation board/kit not meet the specifications indicated in the User's Guide, the board/kit may be returned within 30 days from the date of delivery for a full refund. **THE FOREGOING WARRANTY IS THE EXCLUSIVE WARRANTY MADE BY SELLER TO BUYER AND IS IN LIEU OF ALL OTHER WARRANTIES, EXPRESSED, IMPLIED, OR STATUTORY, INCLUDING ANY WARRANTY OF MERCHANTABILITY OR FITNESS FOR ANY PARTICULAR PURPOSE.**

The user assumes all responsibility and liability for proper and safe handling of the goods. Further, the user indemnifies TI from all claims arising from the handling or use of the goods. Due to the open construction of the product, it is the user's responsibility to take any and all appropriate precautions with regard to electrostatic discharge.

EXCEPT TO THE EXTENT OF THE INDEMNITY SET FORTH ABOVE, NEITHER PARTY SHALL BE LIABLE TO THE OTHER FOR ANY INDIRECT, SPECIAL, INCIDENTAL, OR CONSEQUENTIAL DAMAGES.

TI currently deals with a variety of customers for products, and therefore our arrangement with the user **is not exclusive.**

TI assumes **no liability for applications assistance, customer product design, software performance, or infringement of patents or services described herein.**

Please read the User's Guide and, specifically, the Warnings and Restrictions notice in the User's Guide prior to handling the product. This notice contains important safety information about temperatures and voltages. For additional information on TI's environmental and/or safety programs, please contact the TI application engineer or visit www.ti.com/esh.

No license is granted under any patent right or other intellectual property right of TI covering or relating to any machine, process, or combination in which such TI products or services might be or are used.

FCC Warning

This evaluation board/kit is intended for use for **ENGINEERING DEVELOPMENT, DEMONSTRATION, OR EVALUATION PURPOSES ONLY** and is not considered by TI to be a finished end-product fit for general consumer use. It generates, uses, and can radiate radio frequency energy and has not been tested for compliance with the limits of computing devices pursuant to part 15 of FCC rules, which are designed to provide reasonable protection against radio frequency interference. Operation of this equipment in other environments may cause interference with radio communications, in which case the user at his own expense will be required to take whatever measures may be required to correct this interference.

EVM Warnings and Restrictions

It is important to operate this EVM within the input voltage range of -0.3 V to 5.3 V and the output voltage range of -0.3 V to 3.3 V .

Exceeding the specified input range may cause unexpected operation and/or irreversible damage to the EVM. If there are questions concerning the input range, please contact a TI field representative prior to connecting the input power.

Applying loads outside of the specified output range may result in unintended operation and/or possible permanent damage to the EVM. Please consult the EVM User's Guide prior to connecting any load to the EVM output. If there is uncertainty as to the load specification, please contact a TI field representative.

During normal operation, some circuit components may have case temperatures greater than 50°C . The EVM is designed to operate properly with certain components above 25°C as long as the input and output ranges are maintained. These components include but are not limited to linear regulators, switching transistors, pass transistors, and current sense resistors. These types of devices can be identified using the EVM schematic located in the EVM User's Guide. When placing measurement probes near these devices during operation, please be aware that these devices may be very warm to the touch.

Mailing Address: Texas Instruments, Post Office Box 655303, Dallas, Texas 75265
Copyright © 2012, Texas Instruments Incorporated

IMPORTANT NOTICE

Texas Instruments Incorporated and its subsidiaries (TI) reserve the right to make corrections, modifications, enhancements, improvements, and other changes to its products and services at any time and to discontinue any product or service without notice. Customers should obtain the latest relevant information before placing orders and should verify that such information is current and complete. All products are sold subject to TI's terms and conditions of sale supplied at the time of order acknowledgment.

TI warrants performance of its hardware products to the specifications applicable at the time of sale in accordance with TI's standard warranty. Testing and other quality control techniques are used to the extent TI deems necessary to support this warranty. Except where mandated by government requirements, testing of all parameters of each product is not necessarily performed.

TI assumes no liability for applications assistance or customer product design. Customers are responsible for their products and applications using TI components. To minimize the risks associated with customer products and applications, customers should provide adequate design and operating safeguards.

TI does not warrant or represent that any license, either express or implied, is granted under any TI patent right, copyright, mask work right, or other TI intellectual property right relating to any combination, machine, or process in which TI products or services are used. Information published by TI regarding third-party products or services does not constitute a license from TI to use such products or services or a warranty or endorsement thereof. Use of such information may require a license from a third party under the patents or other intellectual property of the third party, or a license from TI under the patents or other intellectual property of TI.

Reproduction of TI information in TI data books or data sheets is permissible only if reproduction is without alteration and is accompanied by all associated warranties, conditions, limitations, and notices. Reproduction of this information with alteration is an unfair and deceptive business practice. TI is not responsible or liable for such altered documentation. Information of third parties may be subject to additional restrictions.

Resale of TI products or services with statements different from or beyond the parameters stated by TI for that product or service voids all express and any implied warranties for the associated TI product or service and is an unfair and deceptive business practice. TI is not responsible or liable for any such statements.

TI products are not authorized for use in safety-critical applications (such as life support) where a failure of the TI product would reasonably be expected to cause severe personal injury or death, unless officers of the parties have executed an agreement specifically governing such use. Buyers represent that they have all necessary expertise in the safety and regulatory ramifications of their applications, and acknowledge and agree that they are solely responsible for all legal, regulatory and safety-related requirements concerning their products and any use of TI products in such safety-critical applications, notwithstanding any applications-related information or support that may be provided by TI. Further, Buyers must fully indemnify TI and its representatives against any damages arising out of the use of TI products in such safety-critical applications.

TI products are neither designed nor intended for use in military/aerospace applications or environments unless the TI products are specifically designated by TI as military-grade or "enhanced plastic." Only products designated by TI as military-grade meet military specifications. Buyers acknowledge and agree that any such use of TI products which TI has not designated as military-grade is solely at the Buyer's risk, and that they are solely responsible for compliance with all legal and regulatory requirements in connection with such use.

TI products are neither designed nor intended for use in automotive applications or environments unless the specific TI products are designated by TI as compliant with ISO/TS 16949 requirements. Buyers acknowledge and agree that, if they use any non-designated products in automotive applications, TI will not be responsible for any failure to meet such requirements.

Following are URLs where you can obtain information on other Texas Instruments products and application solutions:

Products

Audio	www.ti.com/audio
Amplifiers	amplifier.ti.com
Data Converters	dataconverter.ti.com
DLP® Products	www.dlp.com
DSP	dsp.ti.com
Clocks and Timers	www.ti.com/clocks
Interface	interface.ti.com
Logic	logic.ti.com
Power Mgmt	power.ti.com
Microcontrollers	microcontroller.ti.com
RFID	www.ti-rfid.com
OMAP Mobile Processors	www.ti.com/omap
Wireless Connectivity	www.ti.com/wirelessconnectivity

Applications

Automotive and Transportation	www.ti.com/automotive
Communications and Telecom	www.ti.com/communications
Computers and Peripherals	www.ti.com/computers
Consumer Electronics	www.ti.com/consumer-apps
Energy and Lighting	www.ti.com/energy
Industrial	www.ti.com/industrial
Medical	www.ti.com/medical
Security	www.ti.com/security
Space, Avionics and Defense	www.ti.com/space-avionics-defense
Video and Imaging	www.ti.com/video

TI E2E Community Home Page

e2e.ti.com

Mailing Address: Texas Instruments, Post Office Box 655303, Dallas, Texas 75265
Copyright © 2012, Texas Instruments Incorporated